

Europe, Middle East

ENGLISH
FRANÇAIS
DEUTSCH
NEDERLANDS
ITALIANO
ESPAÑOL
PORTUGUÊS
РУССКИЙ
ČESTINA
TÜRKÇE
POLSKI
SVENSKA
SUOMI
SLOVENCINA
MAGYAR NYELV
עברית
العربية

North America/

Norteamérica

ENGLISH
FRANÇAIS
ESPAÑOL

Latin America/

América Latina

ENGLISH
ESPAÑOL
PORTUGUÊS

Asia Pacific

日本語
简体中文
繁體中文
한국어
ENGLISH



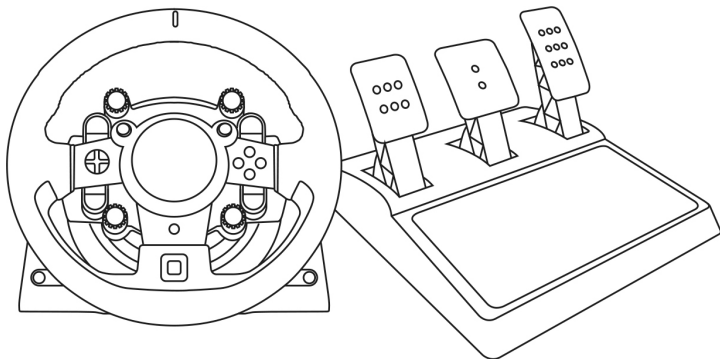
THRUSTMASTER®

T-GT II

T-GT II

For PlayStation®5 consoles and PlayStation®4 consoles

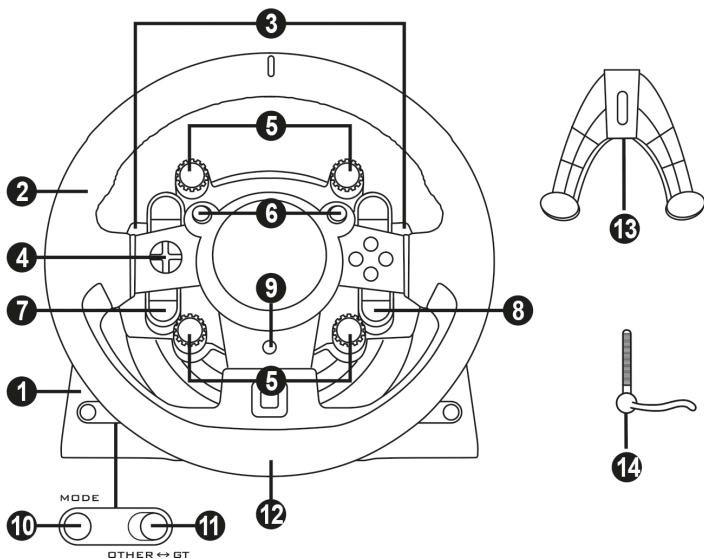
User Manual



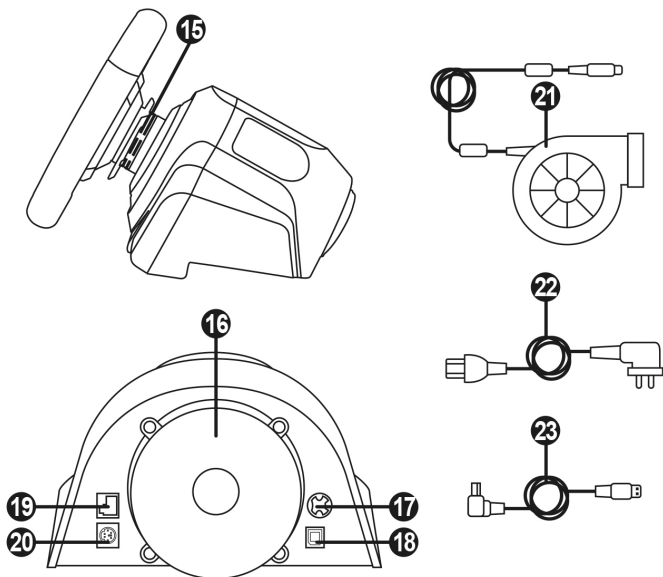
WARNING:

To ensure that your T-GT II racing wheel functions correctly with games, you may be required to install the game's automatic updates (available when your console is connected to the Internet).

TECHNICAL FEATURES



- 1 T-GT II base
- 2 T-GT II wheel
- 3 2 sequential paddle shifters (up & down)
- 4 Directional buttons
- 5 4 rotary selectors with Push function
- 6 2 mini-sticks
- 7 SHARE/CREATE button
- 8 OPTIONS button
- 9 PS button
- 10 MODE button + red/green indicator light
- 11 Built-in USB sliding switch: OTHER / GT
- 12 Large threaded hole (for attachment system and fastening screw)
- 13 Attachment system
- 14 Metal fastening screw



- 15 Thrustmaster Quick Release
- 16 T-DFB effects system (only compatible with the PS5™ consoles and PS4™ consoles in GT mode)
- 17 Connector for T-TURBO power supply
- 18 Connector for removable USB cable
- 19 Connector for pedal set
- 20 Connector for TH8A shifter (shifter sold separately)
- 21 T-TURBO power supply
- 22 Power supply cable
- 23 Removable USB cable

PLUGGING THE WHEEL INTO AN ELECTRICAL OUTLET: PLEASE READ CAREFULLY!



Never plug the T-TURBO power supply into an electrical outlet with a different voltage! The T-TURBO power supply's voltage is indicated on the label located above the female connector for the power supply cable.



Never connect a power supply other than the T-TURBO power supply to the T-GT II base, even if the connector is compatible! For example, never connect the power adapter for the T500 RS wheel to the T-GT II base.

WARNING

Before using this product, please read this manual carefully and save it for later reference.



Warning – Electrical shock

- * Keep the product in a dry location and do not expose it to dust or sunlight.
- * Do not twist or pull on the connectors and cables.
- * Do not spill any liquid on the product or its connectors.
- * Do not short-circuit the product.
- * Never dismantle the product; do not throw it onto a fire and do not expose it to high temperatures.
- * Do not use a power supply cable other than the one provided with your racing wheel.
- * Do not use the power supply cable if the cable or its connectors are damaged, split or broken.
- * Make sure that the power supply cable is properly plugged into an electrical outlet, and properly connected to the connector at the rear of the racing wheel's base.
- * Do not open up the racing wheel: there are no user-serviceable parts inside. Any repairs must be carried out by the manufacturer, its authorized representative or a qualified technician.
- * Only use attachment systems/accessories specified by the manufacturer.
- * If the racing wheel is operating abnormally (if it is emitting any abnormal sounds, heat or odors), stop using it immediately, unplug the power supply cable from the electrical outlet and disconnect the other cables.
- * If you will not be using the racing wheel for an extended period of time, unplug its power supply cable from the electrical outlet.
- * The electrical outlet must be located near the equipment and must be easily accessible.

Information for 220V power supply adapter

Information published	Value	Unit
Manufacturer's name or trademark, commercial registration number and address	GUILLEMOT CORPORATION S.A. 414 196 758 Rennes Place du Granier BP 97143 35571 Chantepie Cedex France	
Model identifier	Turbo Power 220V	
Input voltage	220 - 240	V
Input AC frequency	50 / 60	Hz
Output voltage	24,0	V AC
Output current	4,0	A
Output power	96,0	W
Average active efficiency	90,9	%
Efficiency at low load (10 %)	86,8	%
No-load power consumption	0,01	W

**Air vents**

Make sure not to block any of the air vents on the racing wheel's base. For optimal ventilation, make sure to do the following:

- * Position the wheel's base at least 10 cm away from any wall surfaces.
- * Do not place the base in any tight spaces.
- * Do not cover the base.
- * Do not let any dust build up on the air vents.



For safety reasons, never use the pedal set with bare feet or while wearing only socks on your feet.

THRUSTMASTER® DISCLAIMS ALL RESPONSIBILITY IN THE EVENT OF INJURY RESULTING FROM USE OF THE PEDAL SET WITHOUT SHOES.

**Warning – Injuries due to Force Feedback and repeated movements**

Playing with a Force Feedback racing wheel may cause muscle or joint pain. To avoid any problems:

- * Avoid lengthy gaming periods.
- * Take 10 to 15 minute breaks after each hour of play.
- * If you feel any fatigue or pain in your hands, wrists, arms, feet or legs, stop playing and rest for a few hours before you start playing again.
- * If the symptoms or pain indicated persist when you start playing again, stop playing and consult your doctor.
- * Keep out of children's reach.
- * During gameplay, always leave both hands correctly positioned on the wheel without completely letting go.
- * During gameplay, never place your hands or your fingers under the pedals or anywhere near the pedal set.
- * During calibration and gameplay, never place your hand or your arm through the openings in the racing wheel.
- * Make sure that the racing wheel's base is properly secured, as per this manual's instructions.

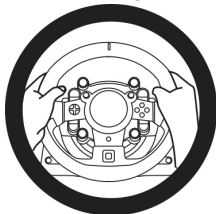
HEAVY PRODUCT

Product to be handled only by users
16 years of age or older



Be careful not to drop the product on
yourself or on anyone else!

ALWAYS



NEVER



NEVER



Warning – Pedal set pinch hazard when playing

- * Keep the pedal set out of children's reach.
- * During gameplay, never place your fingers on or anywhere near the sides of the pedals.
- * During gameplay, never place your fingers on or anywhere near the pedal's rear base.
- * During gameplay, never place your fingers on or anywhere near the pedal's front base.

NEVER



NEVER



NEVER



Warning – Pedal set pinch hazard when not playing

- * Store the pedal set in a safe place, and keep it out of children's reach.

UPDATING YOUR RACING WHEEL'S FIRMWARE

The firmware included in your racing wheel's base can be updated to a more recent version featuring product enhancements.

To display the firmware version that your racing wheel is currently using and update it if required: on PC, visit <https://support.thrustmaster.com>. Click **Racing Wheels / T-GT II**, then select **Firmware** and follow the instructions describing the download and installation procedure.

Important note:

On PC, the USB sliding switch (11) on the racing wheel's base must always be set to the "OTHER" position.

INSTALLING THE WHEEL ON ITS BASE

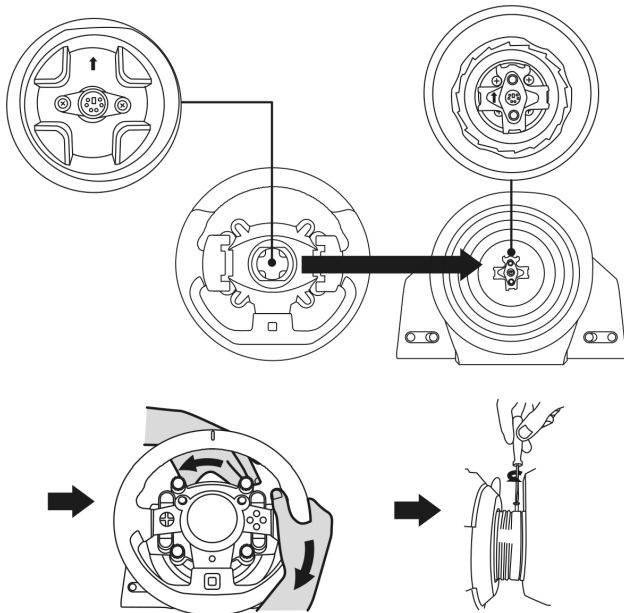
Align the connector positions using the arrows:

Base (1) connector: Arrow pointing upwards

Racing wheel (2) connector: Arrow pointing upwards

Once the connectors are correctly positioned, simply rotate the Thrustmaster Quick Release (15) device's ring anticlockwise, while holding the racing wheel (2) in position.

Then, tighten the ring as much as you can: to do so, hold the ring in position and rotate the racing wheel clockwise.



Once you have installed the wheel, rotate it 180° (when facing the wheel, the GT logo should be upside down) to access the small attachment screw located on the ring of the Thrustmaster Quick Release (15) device. Use a large Phillips screwdriver to tighten the small attachment screw (do not use excessive force), turning it clockwise.

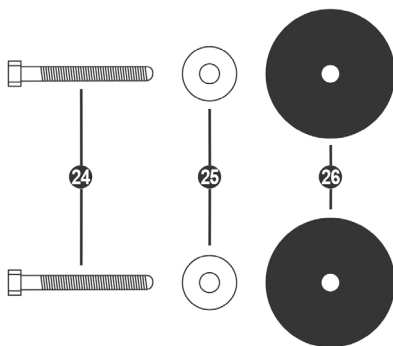


When using a Phillips screwdriver, ensure NOT to use excessive force when tightening the small attachment screw!

Stop turning the screw as soon as you feel some resistance.

ATTACHING THE RACING WHEEL

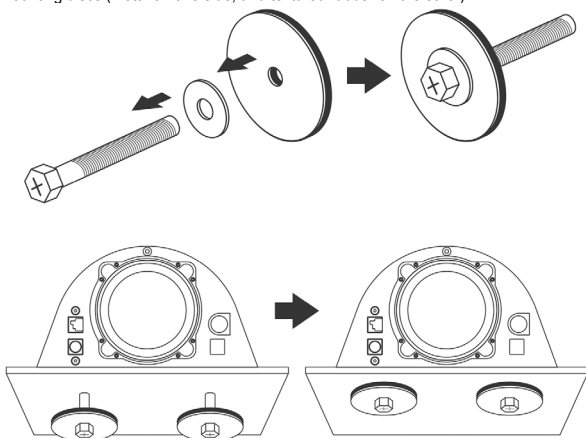
Attaching the racing wheel's base to a cockpit



24 2 M6-type hexagon head/Phillips-head bolts

25 2 washers

26 2 mounting discs (metal on one side, and textured rubber on the other)



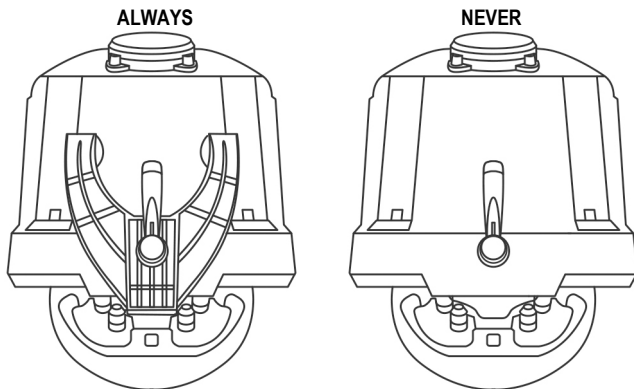
1. Position the washers (25) on the metal sides of the mounting discs (26), and insert the M6-type hexagon head/Phillips-head bolts (24).
2. Place the racing wheel's base on the cockpit shelf.
3. Using a 10 mm wrench key or a Phillips-head screwdriver, screw the cockpit mounting kit into the cockpit shelf and into the 2 small screw threads located on the underside of the wheel.

ATTENTION:

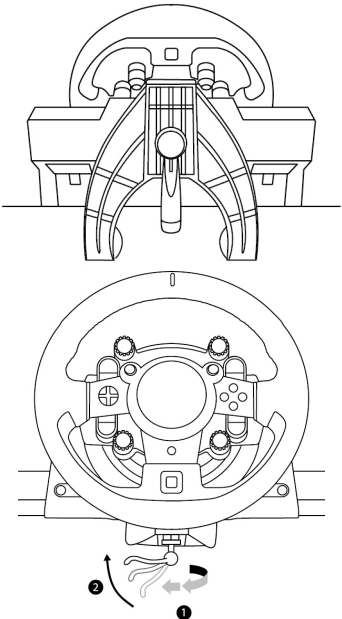
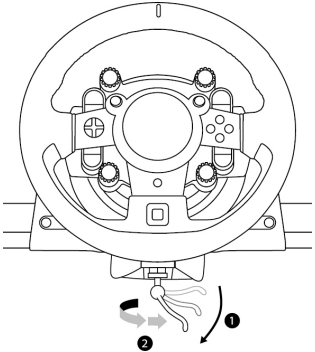
- Do not remove the foam pads located on the underside of the racing wheel's base! The foam pads amplify the effects of the T-DFB system when the wheel is attached.
- The textured rubber side of the mounting discs (26) must imperatively be positioned facing the cockpit shelf = never position the metal side facing the cockpit shelf.

Attaching the racing wheel to a table or a desktop

1. Place the racing wheel on a table or any other horizontal, flat and stable surface.
2. Insert the fastening screw (14) in the attachment system (13), then tighten the device by turning the screw anticlockwise, so that it feeds into the large threaded hole (12) located beneath the racing wheel, until the wheel is perfectly stable.

**WARNING:**

- Never tighten the screw alone, without the attachment system in place (this could damage the racing wheel).
- Do not remove the foam pads located on the underside of the racing wheel's base! The foam pads amplify the effects of the T-DFB system when the wheel is attached.

ATTACHMENT / REMOVAL	DIRECTION
<p><u>To tighten:</u></p> <p><i>Turn the screw anticlockwise</i></p>	
<p><u>To release:</u></p> <p><i>Turn the screw clockwise</i></p>	

SETTING UP THE RACING WHEEL FOR PS5™ CONSOLES AND PS4™ CONSOLES

1. Connect the pedal set to its connector (19) located at the rear of the racing wheel's base.
2. Connect the T-TURBO power supply (21) to its connector (17).
3. Connect the power supply cable (22) to the T-TURBO power supply, and plug the cable into an electrical outlet with the same voltage.
4. Set the USB sliding switch (11) to the "OTHER" or "GT" position, depending on the PS5™ game or PS4™ game you are using.
5. Connect the removable USB cable (23) to its connector (18) and to one of the USB ports on the PS5™ console or PS4™ console.
6. Once your PS5™ console or PS4™ console is powered on, your racing wheel will calibrate itself .
7. Press the PS button (9) on the racing wheel, and log in to your PlayStation™Network account in order for your wheel to be functional.

You are now ready to play!

Important notes:

- Don't forget to press the PS button (9) on the racing wheel, in order for your wheel to be functional.
- The USB sliding switch (11) on the wheel's base must always be set to the proper position ("OTHER" or "GT") before connecting the racing wheel's USB cable to your console. To change the sliding switch's position: disconnect the USB cable, and then set the switch to the appropriate position before reconnecting the USB cable to the console.
- The list of PlayStation®5 games and PlayStation®4 games compatible with the T-GT II (along with the required position for the USB sliding switch (11) according to the game you are using) is available here: <https://support.thrustmaster.com> (in the Racing Wheels/T-GT II section). This list is updated regularly.

USB SLIDING SWITCH (11) IN THE "OTHER" POSITION FOR PS5™ GAMES AND PS4™ GAMES APART FROM GT SPORT

When the USB sliding switch (11) is set to the "OTHER" position:

- * The Force Feedback system is functional, but the T-DFB effects system (16) is not.

USB SLIDING SWITCH (11) IN THE "GT" POSITION FOR THE GAME GT SPORT (AND OTHER FUTURE GT GAMES)

When the USB sliding switch (11) is set to the "GT" position:

- * The Force Feedback system, and the T-DFB effects system (16), are both functional at the same time. In the GT Sport game's options, the power level of each system can be adjusted independently.

SETTING UP THE RACING WHEEL FOR PC*

*PC compatibility not endorsed by Sony Interactive Entertainment Europe and Sony Interactive Entertainment LLC.

For more information, visit <https://support.thrustmaster.com>.

AUTOMATIC RACING WHEEL AND PEDAL SET CALIBRATION

The wheel automatically self-calibrates when you plug the racing wheel into an electrical outlet and connect the racing wheel's USB connector to the console.

During this phase, the racing wheel will rotate quickly towards the left and the right, covering a 1080 degree angle, before stopping at the center.



WARNING:

Never touch the racing wheel during the self-calibration phase!
(This could result in improper calibration and/or personal injuries.)

AUTOMATIC CALIBRATION OF THE PEDAL SET

Never connect the pedal set to the racing wheel's base (or disconnect it from the base) when it is connected to the console or during gameplay (this could result in improper calibration).

Always connect the pedal set before connecting the racing wheel to the console.

Once the racing wheel's calibration is complete and the game has been started, the pedals are automatically calibrated after a few presses.



WARNING:

Never press the pedals during the racing wheel's self-calibration phase or while a game is loading!
(This could result in improper calibration.)

If your racing wheel and/or pedal set do not function correctly, or if they seem to be improperly calibrated:

Power off your console and completely disconnect the racing wheel. Then reconnect all cables (including the power supply cable and the pedal set), and restart your console and your game.

INTERNAL COOLING SYSTEM FOR THE WHEEL'S BASE

The internal cooling system for the wheel's base

- starts working when the wheel is powered on.
- switches off after a few minutes of inactivity when the internal temperature cools down to a low level.
- switches on again when you use the wheel.

MODE BUTTON AND INDICATOR LIGHT (10)

MODE button for the pedal set

You can electronically swap the gas and clutch pedals.

To do so, simply press the MODE button (10) for 2 seconds.

The racing wheel's internal memory stores whether the pedals have been swapped around or not.

GAS AND CLUTCH PEDALS	Colour of the MODE indicator light (10)
NORMAL	RED
SWAPPED AROUND	GREEN

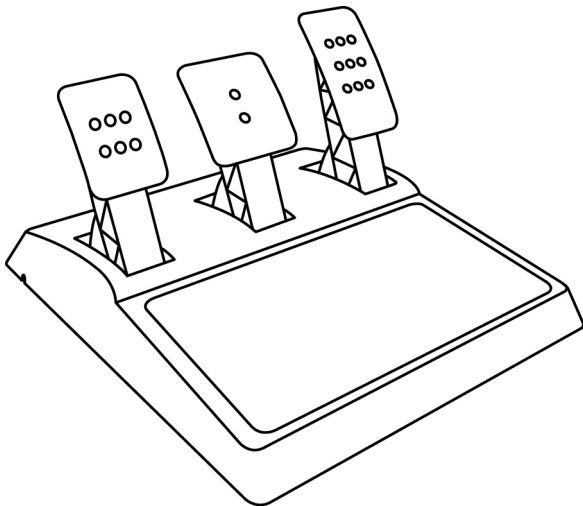
Other information regarding the MODE button

To learn more about the MODE button and indicator light, please visit <https://support.thrustmaster.com>. Click **Racing Wheels/T-GT II**, and then select **Manual** or **FAQ**.

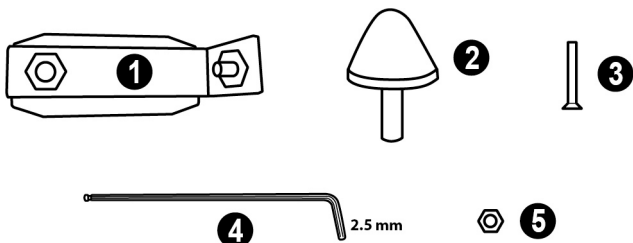
HELP FILES AND FAQs

Please visit <https://support.thrustmaster.com>. Click **Racing Wheels/T-GT II**, and then select **Manual** or **FAQ**.

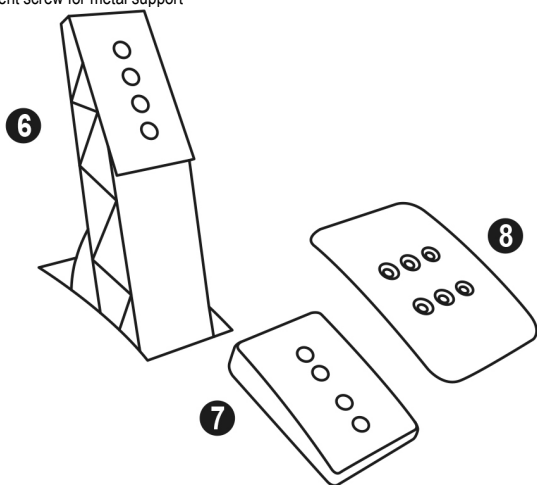
T-GT II EDITION PEDAL SET



TECHNICAL FEATURES



- 1 Metal support for conical stop
(not installed by default)
- 2 Conical stop
- 3 Attachment screw for metal support
- 4 2.5 mm Allen key (included)
- 5 Position adjustment nut for conical stop



- 6 Metal pedal arm
- 7 Plastic head support
- 8 Metal pedal head

WARNING

Before using this product, be sure to read these instructions carefully and save them for future reference.



For safety reasons, never use the pedal set with bare feet or while wearing only socks on your feet.

THRUSTMASTER® DISCLAIMS ALL RESPONSIBILITY IN THE EVENT OF INJURY RESULTING FROM USE OF THE PEDAL SET WITHOUT SHOES.



Warning – Pedal set pinching hazard during gaming sessions

- * Keep the pedal set out of the reach of children.
- * During gaming sessions, never place your fingers or thumbs on or near the sides of the pedals.
- * During gaming sessions, never place your fingers or thumbs on or near the rear base of the pedals.
- * During gaming sessions, never place your fingers or thumbs on or near the front base of the pedals.

NEVER



NEVER



NEVER



AUTOMATIC CALIBRATION OF PEDALS



IMPORTANT:

- Never connect or disconnect the pedal set from the base of the wheel when the wheel is connected to a PS5™ console or PS4™ console or to a PC, or during gaming sessions, to avoid calibration problems.
- Always connect the pedal set to the wheel before connecting the wheel to a PS5™ console or PS4™ console or to a PC.
- Once the wheel has self-calibrated and the game has started, the pedals automatically calibrate themselves after being pressed a few times.
- Never press on the pedals when the wheel is self-calibrating or when your game is starting up, to avoid calibration problems.
- If the pedals are not functioning correctly or appear to be improperly calibrated, power off your system, completely disconnect your wheel, then reconnect all of the cables (including the power supply cable and the pedal set cable), power the system back on and restart your game.

ATTACHING THE PEDAL SET TO A COCKPIT

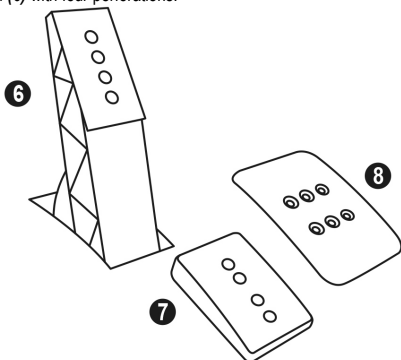
- Attach the pedal set using the small screw threads located on the underside of the pedal set.
- Screw two M6 screws (not included) into the cockpit's pedal support plate and into the two small screw threads located on the underside of the pedal set.

Important: The length of the two M6 screws must not exceed the thickness of the cockpit's pedal support plate plus an additional 10 mm, to avoid damaging the pedal set's internal components.

ADJUSTING THE PEDAL SET

Each of the three pedals includes:

- A metal head (8) with multiple perforations (nine for the gas – two for the brake – six for the clutch).
- A plastic head support (7) (placed between the head and the arm) with four perforations.
- A metal pedal arm (6) with four perforations.

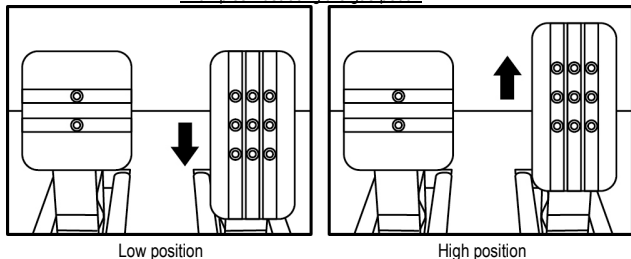


ATTENTION: To avoid any calibration problems, be sure to always disconnect your wheel's USB cable from the PS5™ console or PS4™ console before making any adjustments to your pedal set.

Adjusting the HEIGHT of the 3 pedals

- Using the included 2.5 mm Allen key (4), unscrew the two screws holding the metal head (8) and its support (7) in place.
- Select your preferred height position, then replace and re-tighten the screws so that the metal head (8) and its support (7) are held firmly in place.

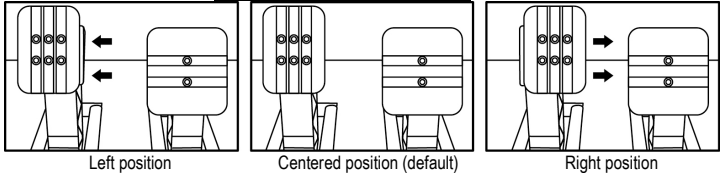
Examples illustrating the gas pedal:



Adjusting the SPACING of the gas pedal and the clutch pedal

- Using the included 2.5 mm Allen key (4), unscrew the two screws holding the metal head (8) and its support (7) in place.
- Select your preferred position (to the left, centered, or to the right), then replace and re-tighten the screws so that the metal head (8) and its support (7) are held firmly in place.

Examples illustrating the clutch pedal:



Left position

Centered position (default)

Right position

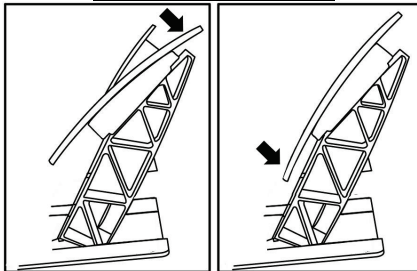
Number of possible spacing positions per pedal:

- Three for gas pedal
- Three for clutch pedal

Adjusting the INCLINATION of the 3 pedals

- Using the included 2.5 mm Allen key (4), unscrew the two screws holding the metal head (8) and its support (7) in place.
- Turn the plastic head support (7) 180°, then replace and re-tighten the screws so that the metal head (8) and its support (7) are held firmly in place.

Examples illustrating the gas pedal:



Less inclined position

More inclined position (default)

Number of possible inclination positions per pedal:

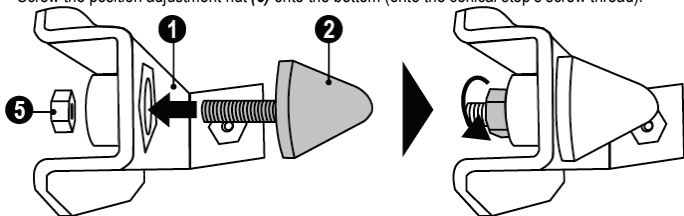
- Two for gas pedal
- Two for brake pedal
- Two for clutch pedal

Installing the conical stop (“CONICAL RUBBER BRAKE” mod)

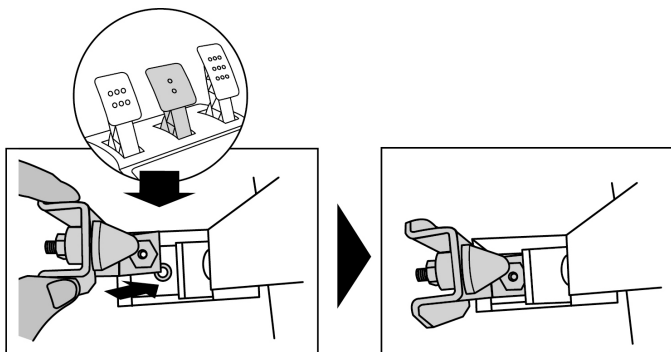
This modification (or “mod”) is not essential, and is not installed by default. This means that the brake pedal functions perfectly even if the mod is not installed.

This mod lets you experience a different feeling and resistance when braking. It’s up to you whether or not to install it, depending on your own preferences.

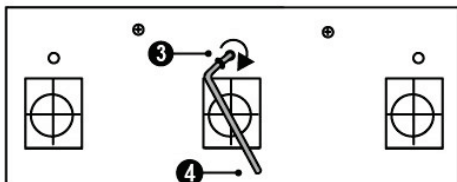
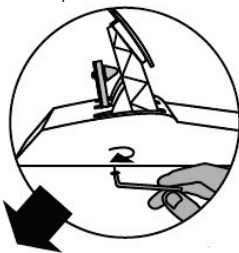
- Screw the conical stop **(2)** onto its metal support **(1)**.
- Screw the position adjustment nut **(5)** onto the bottom (onto the conical stop’s screw thread).



- Position the unit at the back of the brake pedal’s arm.



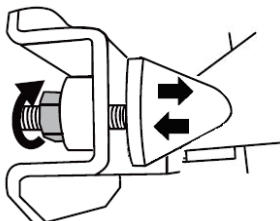
- Using the included 2.5 mm Allen key (4), attach the unit using the attachment screw (3) and the small central screw thread located on the underside of the pedal set.



The "CONICAL RUBBER BRAKE" mod is now installed!

Adjusting the brake pedal's RANGE of travel and STRENGTH of resistance

By slightly unscrewing the nut (5), you can further strengthen the resistance of the brake pedal by moving the conical stop (2) closer to the back of the pedal's arm (if necessary, use a 14 mm wrench or pliers to re-tighten the nut and maintain the selected position). The closer the conical stop is positioned to the back of the pedal's arm, the greater the strength of resistance will be.



Note: When the conical stop is very close to the back of the brake pedal's arm, you may experience difficulties in reaching the maximum calibration value. Should that be the case:

- * Slowly, press very hard on the brake pedal so as to reach the maximum value (if necessary, stand very briefly on the pedal – just for a second), then release the pressure; or else
- * Move the conical stop a bit farther away from the back of the brake pedal's arm.

CONSUMER WARRANTY INFORMATION

Worldwide, Guillemot Corporation S.A., whose registered office is located at Place du Granier, B.P. 97143, 35571 Chantepie, France (hereinafter "Guillemot") warrants to the consumer that this Thrustmaster product shall be free from defects in materials and workmanship, for a warranty period which corresponds to the time limit to bring an action for conformity with respect to this product. In the countries of the European Union, this corresponds to a period of two (2) years from delivery of the Thrustmaster product. In other countries, the warranty period corresponds to the time limit to bring an action for conformity with respect to the Thrustmaster product according to applicable laws of the country in which the consumer was domiciled on the date of purchase of the Thrustmaster product (if no such action exists in the corresponding country, then the warranty period shall be one (1) year from the original date of purchase of the Thrustmaster product).

Notwithstanding the above, rechargeable batteries are covered by a warranty period of six (6) months from the date of original purchase.

Should the product appear to be defective during the warranty period, immediately contact Technical Support, who will indicate the procedure to follow. If the defect is confirmed, the product must be returned to its place of purchase (or any other location indicated by Technical Support).

Within the context of this warranty, the consumer's defective product shall, at Technical Support's option, be either replaced or returned to working order. If, during the warranty period, the Thrustmaster product is subject to such reconditioning, any period of at least seven (7) days during which the product is out of use shall be added to the remaining warranty period (this period runs from the date of the consumer's request for intervention or from the date on which the product in question is made available for reconditioning, if the date on which the product is made available for reconditioning is subsequent to the date of the request for intervention). If permitted under applicable law, the full liability of Guillemot and its subsidiaries (including for consequential damages) is limited to the return to working order or the replacement of the Thrustmaster product. If permitted under applicable law, Guillemot disclaims all warranties of merchantability or fitness for a particular purpose.

This warranty shall not apply: (1) if the product has been modified, opened, altered, or has suffered damage as a result of inappropriate or abusive use, negligence, an accident, normal wear, or any other cause unrelated to a material or manufacturing defect (including, but not limited to, combining the Thrustmaster product with any unsuitable element, including in particular power supplies, rechargeable batteries, chargers, or any other elements not supplied by Guillemot for this product); (2) if the product has been used for any use other than home use, including for professional or commercial purposes (game rooms, training, competitions, for example); (3) in the event of failure to comply with the instructions provided by Technical Support; (4) to software, said software being subject to a specific warranty; (5) to consumables (elements to be replaced over the product's lifespan: disposable batteries, audio headset or headphone ear pads, for example); (6) to accessories (cables, cases, pouches, bags, wrist-straps, for example); (7) if the product was sold at public auction.

This warranty is nontransferable.

The consumer's legal rights with respect to laws applicable to the sale of consumer goods in his or her country are not affected by this warranty.

Additional warranty provisions

During the warranty period, Guillemot shall not provide, in principle, any spare parts, as Technical Support is the only party authorized to open and/or recondition any Thrustmaster product (with the exception of any reconditioning procedures which Technical Support may request that the consumer carry out, by way of written instructions – for example, due to the simplicity and the lack of confidentiality of the reconditioning process – and by providing the consumer with the required spare part(s), where applicable).

Given its innovation cycles and in order to protect its know-how and trade secrets, Guillemot shall not provide, in principle, any reconditioning notification or spare parts for any Thrustmaster product whose warranty period has expired.

In the United States of America and in Canada, this warranty is limited to the product's internal mechanism and external housing. In no event shall Guillemot or its affiliates be held liable to any third party for any consequential or incidental damages resulting from the breach of any express or implied warranties. Some States/Provinces do not allow limitation on how long an implied warranty lasts or exclusion or limitation of liability for consequential or incidental damages, so the above limitations or exclusions may not apply to you. This warranty gives you specific legal rights, and you may also have other rights which vary from State to State or Province to Province.

Liability

If permitted under applicable law, Guillemot Corporation S.A. (hereinafter "Guillemot") and its subsidiaries disclaim all liability for any damages caused by one or more of the following: (1) the product has been modified, opened or altered; (2) failure to comply with assembly instructions; (3) inappropriate or abusive use, negligence, an accident (an impact, for example); (4) normal wear; (5) the use of the product for any use other than home use, including for professional or commercial purposes (game rooms, training, competitions, for example). If permitted under applicable law, Guillemot and its subsidiaries disclaim all liability for any damages unrelated to a material or manufacturing defect with respect to the product (including, but not limited to, any damages caused directly or indirectly by any software, or by combining the Thrustmaster product with any unsuitable element, including in particular power supplies, rechargeable batteries, chargers, or any other elements not supplied by Guillemot for this product).

DECLARATION OF CONFORMITY

CANADIAN COMPLIANCE NOTICE: this Class B digital apparatus meets all requirements of the Canadian Interference-Causing Equipment Regulations.

USA COMPLIANCE NOTICE: this equipment has been tested and found to comply with the limits for a Class B digital device, pursuant to Part 15 of the FCC rules. Operation is subject to the following two conditions:

- (1) This device may not cause harmful interference, and
 - (2) This device must accept any interference received, including interference that may cause undesired operation.
- These limits are designed to provide reasonable protection against harmful interference in a residential installation. This equipment generates, uses and can radiate radio frequency energy and, if not installed and used in accordance with the instructions, may cause harmful interference to radio communications. However, there is no guarantee that interference will not occur in a particular installation. If this equipment does cause harmful interference to radio or television reception, which can be determined by turning the equipment on and off, the user is encouraged to try to correct the interference by one or more of the following measures:

- Reorient or relocate the receiving antenna.
- Increase the separation between the equipment and receiver.
- Connect the equipment into an outlet on a circuit different from that to which the receiver is connected.
- Consult the dealer or an experienced radio/TV technician for help.

THRUSTMASTER®

TECHNICAL SUPPORT

<https://support.thrustmaster.com>

UK: 020 3147 4889

US: (866) 889-5036

Canada: 866-889-2181



COPYRIGHT

©2022 Guillemot Corporation S.A. All rights reserved. Thrustmaster® is a registered trademark of Guillemot Corporation S.A. Manufactured and distributed by Guillemot Corporation S.A. All other trademarks and brand names are hereby acknowledged and are the property of their respective owners. Contents, design, and specifications are subject to changes without notice and may vary from one country to another. Photos and illustration not binding. Designed in North America and Europe, made in China.

For use exclusively with PlayStation®5 consoles and PlayStation®4 consoles.

“PS”, “PlayStation”, “PS5”, and “PS4” are registered trademarks or trademarks of Sony Interactive Entertainment Inc. All rights reserved. All other trademarks are the property of their respective owners. Manufactured and distributed under license from Sony Interactive Entertainment LLC.

Gran Turismo and Gran Turismo logo are registered trademarks or trademarks of Sony Interactive Entertainment Inc.

TouchSense® technology licensed from Immersion Software Ireland Limited. Protected by one or more of the U.S. Patents found at the following address: www.immersion.com/patent-marking.html, and other patents pending.



WARNING: this product can expose you to chemicals including Bisphenol A (BPA), which is known to the State of California to cause birth defects or other reproductive harm. For more information go to www.P65Warnings.ca.gov

ENVIRONMENTAL PROTECTION RECOMMENDATION



* In the European Union, the UK and Turkey: At the end of its working life, this product should not be disposed of with standard household waste, but rather dropped off at a collection point for the disposal of Waste Electrical and Electronic Equipment (WEEE) for recycling.

This is confirmed by the symbol found on the product, user manual or packaging.

Depending on their characteristics, the materials may be recycled. Through recycling and other forms of processing Waste Electrical and Electronic Equipment, you can make a significant contribution towards helping to protect the environment.

Please contact your local authorities for information on the collection point nearest you.

For all other countries: Please adhere to local recycling laws for electrical and electronic equipment.

Retain this information. Colors and decorations may vary.

Plastic fasteners and adhesives should be removed from the product before it is used.

www.thrustmaster.com

**Applicable to EU, UK and Turkey only*



immersion.

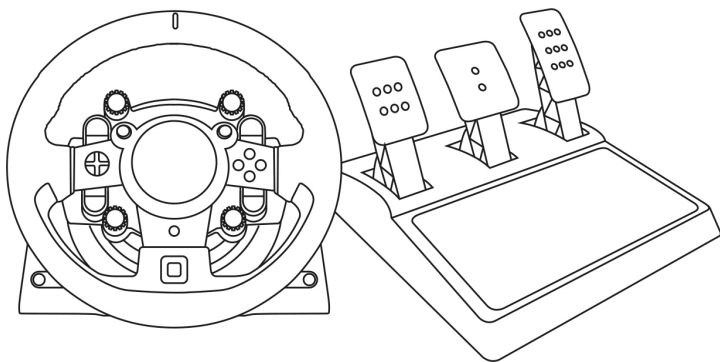
EAC

UK
CA

T-GT II

Pour consoles PlayStation®5 et consoles PlayStation®4

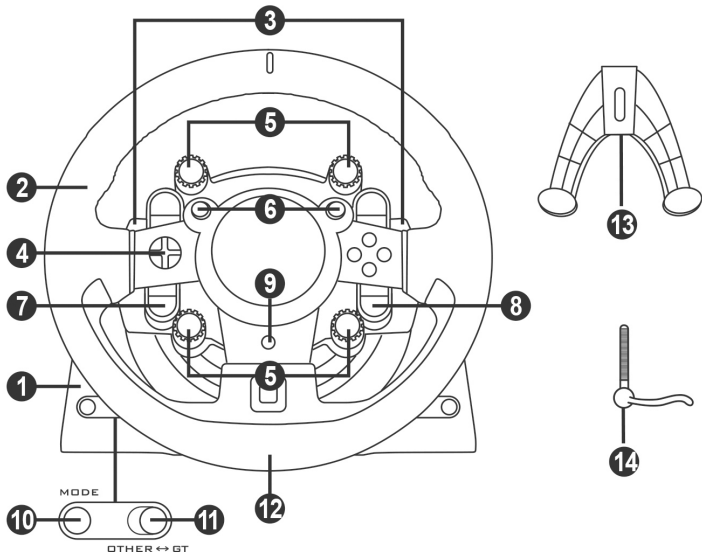
Manuel de l'utilisateur



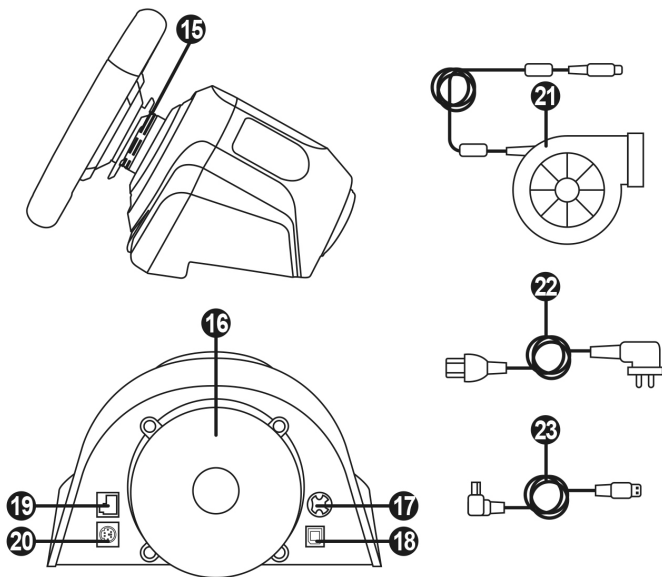
ATTENTION :

Pour que le volant T-GT II fonctionne correctement avec les jeux, il peut être nécessaire d'installer les mises à jour automatiques de ces jeux *(disponibles lorsque votre console est connectée à Internet)*.

CARACTERISTIQUES TECHNIQUES



- | | | | |
|---|--|----|--|
| 1 | Base T-GT II | 8 | Bouton OPTIONS |
| 2 | Roue T-GT II | 9 | Bouton PS |
| 3 | 2 leviers séquentiels de changement de vitesse (up & down) | 10 | Bouton MODE + voyant lumineux rouge/vert |
| 4 | Boutons directionnels | 11 | Sélecteur USB intégré OTHER - GT |
| 5 | 4 sélecteurs rotatifs avec fonction Push | 12 | Gros pas de vis (pour le système de fixation et la vis de serrage) |
| 6 | 2 mini-sticks | 13 | Système de fixation |
| 7 | Bouton SHARE/CREATE | 14 | Vis de serrage métallique |



- 15 Thrustmaster Quick Release
- 16 Système d'effets T-DFB (uniquement compatible avec les consoles PS5™ et les consoles PS4™ en mode GT)
- 17 Connecteur pour le bloc d'alimentation T-TURBO
- 18 Connecteur pour le câble USB amovible
- 19 Connecteur pour le pédalier
- 20 Connecteur pour la boîte de vitesses TH8A (boîte de vitesses vendue séparément)
- 21 Bloc d'alimentation T-TURBO
- 22 Câble d'alimentation secteur
- 23 Câble USB amovible

RELIER LE VOLANT AU SECTEUR = A LIRE IMPERATIVEMENT !



Ne reliez jamais le bloc d'alimentation T-TURBO à une prise de courant dont le voltage est différent ! Le voltage du T-TURBO est indiqué sur l'étiquette située au-dessus du connecteur femelle du câble d'alimentation.



Ne branchez jamais un bloc d'alimentation autre que le T-TURBO sur la base du T-GT II, même si le connecteur est compatible ! Par exemple, ne branchez jamais l'adaptateur secteur du volant T500 RS sur la base du T-GT II.

AVERTISSEMENTS

Avant d'utiliser ce produit, lisez attentivement cette documentation et conservez-la pour pouvoir la consulter ultérieurement.



Avertissement – Choc électrique

- * Conservez le produit dans un endroit sec et ne l'exposez ni à la poussière ni au soleil.
- * Ne tordez pas et ne tirez pas sur les connecteurs et câbles.
- * Ne renversez pas de liquide sur le produit et ses connecteurs.
- * Ne mettez pas le produit en court-circuit.
- * Ne démontez jamais le produit, ne le jetez pas au feu et ne l'exposez pas à des températures élevées.
- * N'utilisez pas de câble d'alimentation autre que celui fourni avec votre volant.
- * N'utilisez pas le câble d'alimentation secteur si celui-ci où ses connecteurs sont endommagés, fendus ou cassés.
- * Assurez-vous que le câble d'alimentation secteur est parfaitement inséré dans la prise murale et dans son connecteur situé à l'arrière de la base du volant.
- * N'ouvrez pas l'appareil. L'appareil ne contient pas de pièces réparables par l'utilisateur. Confiez toute réparation au fabricant, à une agence spécifiée ou un technicien qualifié.
- * Utilisez uniquement les systèmes de fixation /accessoires spécifiés par le fabricant.
- * Si le volant fonctionne de manière anormale (s'il émet des sons, de la chaleur ou des odeurs anormales), arrêtez immédiatement de l'utiliser, débranchez le câble d'alimentation de la prise électrique et déconnectez les autres câbles.
- * Lorsque vous n'utilisez pas le volant pendant une période prolongée, débranchez le câble d'alimentation secteur de la prise électrique.
- * La prise électrique doit être située à proximité de l'équipement et doit être facilement accessible.

Information relative au bloc d'alimentation 220V

Informations publiées	Valeur	Unité
Nom ou marque du fabricant Numéro d'entreprise Adresse	GUILLEMOT CORPORATION S.A. 414 196 758 Rennes Place du Granier BP 97143 35571 Chantepie Cedex France	
Identifiant du modèle	Turbo Power 220V	
Tension d'entrée	220 - 240	V
Fréquence AC d'entrée	50 / 60	Hz
Tension de sortie	24,0	V CA
Courant de sortie	4,0	A
Puissance de sortie	96,0	W
Efficacité active moyenne	90,9	%
Efficacité en charge faible (1 0 %)	86,8	%
Consommation électrique sans charge	0,01	W



Grilles d'aération

Veillez à n'obstruer aucune grille d'aération de la base du volant. Pour assurer une ventilation optimale, respectez les points ci-après :

- * Placez la base à 10 cm au moins d'une surface murale.
- * Ne placez pas la base dans un endroit exigü.
- * Ne couvrez pas la base.
- * Ne laissez pas la poussière s'accumuler sur les grilles d'aération.



Pour des raisons de sécurité, ne jouez pas pieds nus ou en chaussettes lorsque vous utilisez le pédalier.
THRUSTMASTER® DECLINE TOUTE RESPONSABILITE EN CAS DE BLESSURE SUITE A UNE UTILISATION DU PEDALIER SANS CHAUSSURES.



Avertissement – Blessures dues au retour de force et aux mouvements répétitifs

Jouer avec un volant à retour de force peut causer des douleurs aux muscles et aux articulations. Afin d'éviter tout problème :

- * Evitez les périodes trop longues de jeu.
- * Faites une pause de 10 à 15 minutes après chaque heure de jeu.
- * Si vous éprouvez fatigue ou douleur au niveau des mains, des poignets, des bras, des pieds ou des jambes, cessez de jouer et reposez-vous pendant quelques heures avant de recommencer à jouer.
- * Si les symptômes ou les douleurs indiqués ci-dessus persistent lorsque vous reprenez le jeu, arrêtez de jouer et consultez votre médecin.
- * Laissez hors de portée des enfants.
- * Lors des phases de jeu, laissez toujours vos deux mains correctement positionnées sur le volant sans jamais le lâcher complètement.
- * Lors des phases de jeu, ne placez jamais vos mains ou vos doigts sous les pédales ou à proximité du pédalier.
- * Lors des phases de calibration et de jeu, ne jamais introduire une main ou un bras à l'intérieur de la roue du volant.
- * Vérifiez que la base du volant est correctement fixée, conformément aux instructions du manuel.

PRODUIT LOURD



Produit à manipuler uniquement par des personnes âgées de 16 ans ou plus



Ne pas laisser tomber le produit sur vous ou une autre personne

TOUJOURS



JAMAIS



JAMAIS



Avertissement – Risque de pincement au niveau du pédalier lors des phases de jeu

- * Laissez le pédalier hors de portée des enfants.
- * Lors des phases de jeu, ne placez jamais vos doigts sur ou à proximité des côtés des pédales.
- * Lors des phases de jeu, ne placez jamais vos doigts sur ou à proximité de la base arrière des pédales.
- * Lors des phases de jeu, ne placez jamais vos doigts sur ou à proximité de la base avant des pédales.

JAMAIS



JAMAIS



JAMAIS



Avertissement – Risque de pincement au niveau du pédalier lorsque vous n'utilisez pas le pédalier

- * Placez le pédalier dans un endroit sûr et hors de portée des enfants.

METTRE A JOUR LE FIRMWARE DU VOLANT

Le firmware inclus dans la base du volant peut être mis à jour (ce qui signifie qu'il peut être mis à jour par des versions plus récentes comportant des améliorations produits).

Pour afficher la version de firmware de votre volant et le mettre à jour si nécessaire : sur PC, allez sur <https://support.thrustmaster.com>, cliquez sur **Volants / T-GT II** puis **Firmware** et suivez les instructions et la procédure de téléchargement et d'installation.

Remarque importante :

Pour fonctionner sur PC, le sélecteur USB (11) de la base du volant doit toujours être en position OTHER.

INSTALLATION DE LA ROUE SUR SA BASE

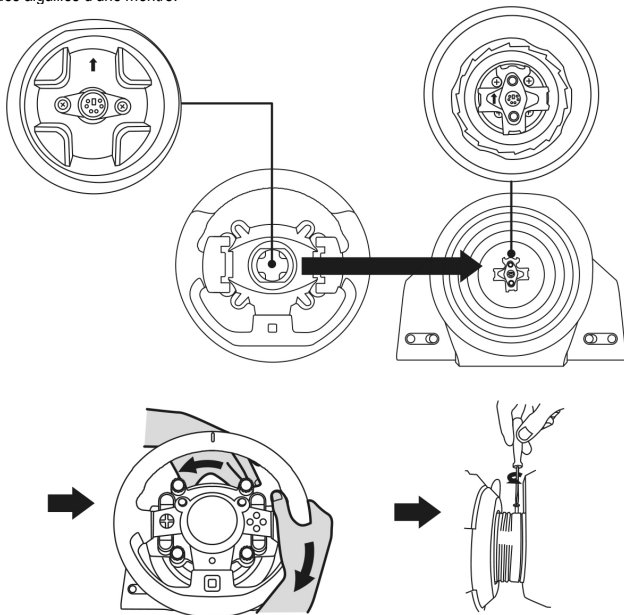
Alignez la position des connecteurs en vous aidant des flèches :

Connecteur de la base (1): Flèche vers le haut

Connecteur de la roue (2): Flèche vers le haut

Une fois les connecteurs mis en place, il vous suffit de tourner la bague du Thrustmaster Quick Release (15) dans le sens inverse des aiguilles d'une montre tout en maintenant la roue (2) fixe.

Puis serrez fortement (et au maximum) la bague en la maintenant fixe et en tournant le volant dans le sens des aiguilles d'une montre.



Lorsque la roue est installée, tournez-la de 180° (vu de face, le Logo GT doit être à l'envers) afin d'accéder à la petite vis de fixation située sur la bague du Thrustmaster Quick Release (15). A l'aide d'un gros tournevis cruciforme, vissez sans forcer la petite vis de fixation dans le sens des aiguilles d'une montre.

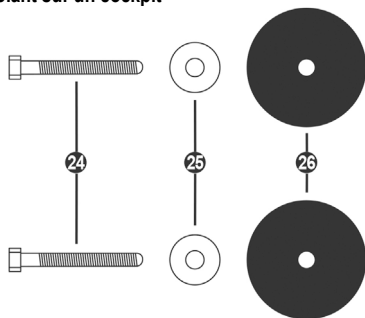


Lorsque vous revissez la petite vis de fixation à l'aide d'un tournevis cruciforme,
NE FORCEZ PAS.

Arrêtez de visser dès que vous sentez une résistance.

FIXATION DU VOLANT

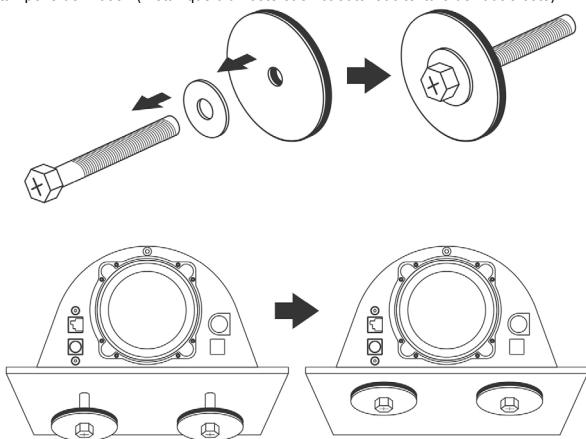
Fixer la base du volant sur un cockpit



24 2 vis hexagonales et cruciformes type M6

25 2 rondelles

26 2 tampons de fixation (métallique d'un côté et en caoutchouc texturé de l'autre côté)



1. Positionnez la rondelle (25) sur la partie métallique du tampon (26), puis insérez la vis hexagonale et cruciforme type M6 (24).

2. Placez la base du volant sur la tablette du cockpit.

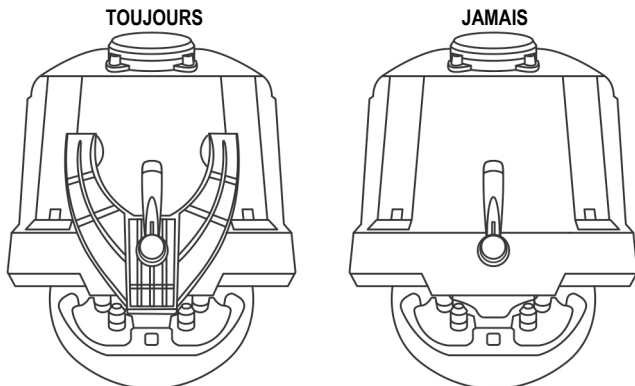
3. A l'aide d'une clé plate 10 mm (*en Anglais* « Wrench Key 10mm ») ou d'un tournevis cruciforme, vissez le kit de fixation cockpit dans la tablette du cockpit et dans les 2 petits pas de vis situés sous le volant.

ATTENTION :

- Ne retirez pas les mousses situées sous la base du volant ! Les mousses ont pour effet d'amplifier les effets du T-DFB une fois le volant fixé.
- La partie en caoutchouc texturé des tampons de fixation (26) doit impérativement être positionnée face à la tablette du cockpit = ne positionnez pas la partie métallique face à la tablette.

Fixer le volant sur une table ou un bureau

1. Placez le volant sur une table ou autre surface plane.
2. Placez la vis de serrage (14) dans le système de fixation (13), puis vissez l'ensemble (dans le sens inverse des aiguilles d'une montre) dans le gros pas de vis (12) situé sous le volant, jusqu'à ce que ce dernier soit parfaitement stable.

**ATTENTION :**

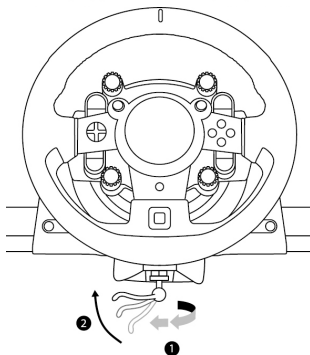
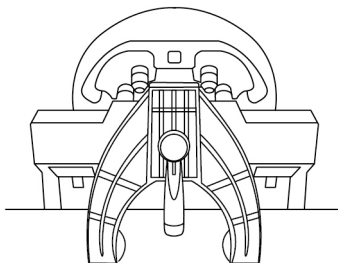
- Ne vissez jamais la vis de serrage seule sans le système de fixation (cela risque de détériorer le volant).
- Ne retirez pas les mousses situées sous la base du volant ! Les mousses ont pour effet d'amplifier les effets du T-DFB une fois le volant fixé.

**MONTAGE /
DEMONTAGE**

SENS

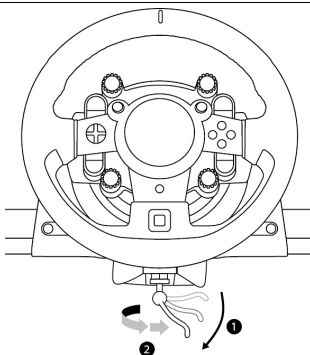
Pour serrer :

**Vissez
dans le sens inverse
des aiguilles d'une
montre**



Pour desserrer :

**Dévissez
dans le sens
des aiguilles d'une
montre**



INSTALLATION SUR LES CONSOLES PS5™ ET LES CONSOLES PS4™

1. Reliez le pédalier à son connecteur (19) situé à l'arrière de la base du volant.
2. Reliez le bloc d'alimentation T-TURBO (21) à son connecteur (17).
3. Reliez le câble d'alimentation (21) sur le bloc d'alimentation T-TURBO (21) et sur une prise de courant ayant le même voltage.
4. Positionnez le sélecteur USB (11) de la base du volant sur la position OTHER ou GT en fonction du jeu PS5™ ou du jeu PS4™ utilisé.
5. Reliez le câble USB amovible (23) au connecteur (18) du volant et sur l'un des ports USB de la console PS5™ ou de la console PS4™.
6. Une fois votre console PS5™ ou votre console PS4™ allumée, votre volant s'autocalibre de manière automatique.
7. Appuyez sur le bouton PS (9) du volant, puis connectez-vous à votre compte PlayStation™Network pour que votre volant soit fonctionnel.
Vous êtes maintenant prêt à jouer !

Remarques importantes :

- N'oubliez pas d'appuyer sur le bouton PS (9) du volant pour que celui-ci soit fonctionnel.
- Le sélecteur USB (11) de la base du volant doit toujours être positionné dans la bonne position (OTHER ou GT) avant de brancher le câble USB du volant sur la console.
Pour changer de position, débranchez le câble USB, puis changez la position du sélecteur avant de rebrancher le câble USB sur la console.
- La liste des jeux PlayStation®5 et des jeux PlayStation®4 compatibles avec le T-GT II (ainsi que la position nécessaire du sélecteur USB en fonction du jeu utilisé) est disponible ici : <https://support.thrustmaster.com/> (dans la rubrique Volants / T-GT II). Cette liste est régulièrement mise à jour.

SÉLECTEUR USB (11) EN POSITION OTHER **POUR LES JEUX PS5™ ET LES JEUX PS4™ AUTRES QUE GT SPORT**

Lorsque le sélecteur USB (11) est en position OTHER :

- * Le système de retour de force est fonctionnel, mais pas le système d'effets T-DFB (16).

SÉLECTEUR USB (11) EN POSITION GT **POUR LE JEU GT SPORT ET LES FUTURS JEUX GT**

Lorsque le sélecteur USB (11) est en position GT :

- * Le système de retour de force ainsi que le système d'effets T-DFB (16) sont fonctionnels simultanément. Dans les options du jeu GT SPORT, le niveau de puissance des deux systèmes peut être ajusté indépendamment.

INSTALLATION SUR PC*

*Compatibilité PC non endossée par Sony Interactive Entertainment Europe et Sony Interactive Entertainment LLC.

Pour plus d'informations, allez sur <https://support.thrustmaster.com/>.

CALIBRAGE AUTOMATIQUE DU VOLANT ET DES PEDALES

La roue du volant s'autocalibre de manière automatique une fois le volant relié au secteur et le connecteur USB connecté à la console.

Cette opération entraîne des mouvements rapides du volant de gauche à droite sur 1080° avant de s'immobiliser au centre.



ATTENTION :

Lors des phases d'autocalibration de la roue du volant, ne jamais toucher au volant (au risque de fausser la calibration ou de se blesser).

CALIBRAGE AUTOMATIQUE DES PEDALES

Ne jamais débrancher ou brancher le pédalier de la base du volant lorsque celui-ci est connecté à la console ni en cours de jeu (pour ne pas fausser la calibration)

= le pédalier doit toujours être branché avant de relier le volant à la console.

Une fois le volant autocalibré et le jeu lancé, les pédales se calibrent automatiquement après quelques pressions.



ATTENTION :

Lors des phases d'autocalibration de la roue du volant et lorsque votre jeu se lance, ne jamais appuyer sur les pédales (au risque de fausser la calibration)

Si votre volant et vos pédales ne fonctionnent pas correctement ou semblent mal calibrés :

Eteignez votre console, déconnectez entièrement votre volant, reconnectez tous les câbles (avec le câble d'alimentation secteur et le pédalier), redémarrez votre console et relancez votre jeu.

SYSTEME DE REFROIDISSEMENT INTERNE DE LA BASE

Le système de refroidissement interne de la base :

- se met en marche dès que le volant est allumé.
- s'éteint après quelques minutes d'inactivité lorsque la température interne est redescendue à un faible niveau.
- se remet en marche dès que vous bougez le volant.

BOUTON MODE ET SON VOYANT LUMINEUX (10)

Bouton MODE pour le pédalier

Vous pouvez inverser électroniquement la pédale d'accélérateur et d'embrayage.

Pour ce faire, appuyez simplement sur le bouton MODE (10) pendant 2 secondes.

L'inversion ou non des pédales est alors instantanément enregistrée dans la mémoire interne du volant.

PEDALE D'ACCELERATEUR ET D'EMBRAYAGE	Couleur du voyant lumineux MODE (10)
NORMALE	ROUGE
INVERSEE	VERT

Autres astuces pour le bouton MODE

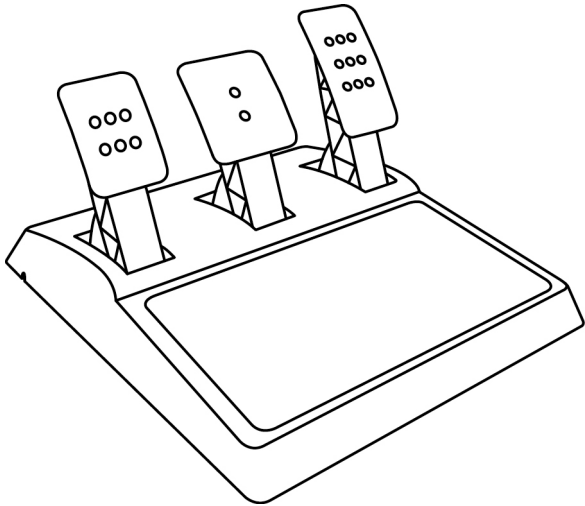
Pour profiter d'autres astuces concernant le bouton MODE et son voyant lumineux, allez sur

<https://support.thrustmaster.com/>. Cliquez sur **Volants / T-GT II** puis **Manuel utilisateur** ou **FAQ**.

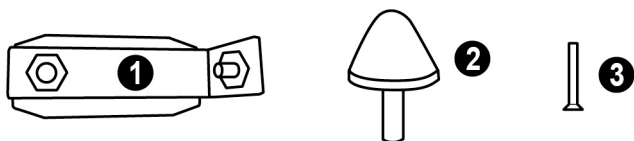
AIDES & FAQ DIVERSES

Allez sur <https://support.thrustmaster.com/>. Cliquez sur **Volants / T-GT II** puis **Manuel utilisateur** ou **FAQ**.

PEDALIER **T-GT II EDITION**



CARACTÉRISTIQUES TECHNIQUES



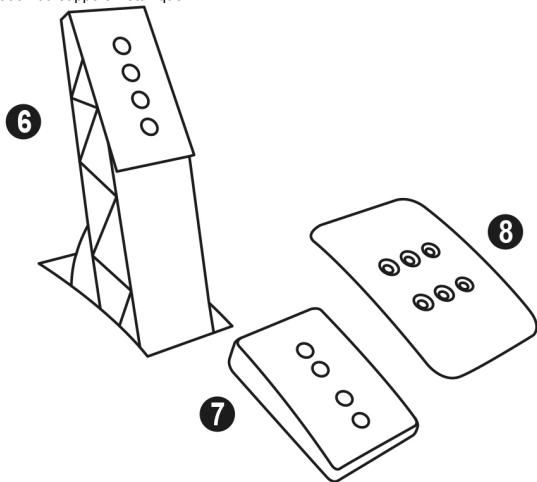
1 Support métallique pour la butée conique
(non installée par défaut)

2 Butée conique

3 Vis de fixation du support métallique

4 Clé Allen 2,5 mm fournie

5 Ecrou de réglage de position de la butée conique



6 Bras de pédale en métal

7 Support de tête plastique

8 Tête métallique de pédale

AVERTISSEMENT

Avant d'utiliser ce produit, lisez attentivement cette documentation et conservez-la pour pouvoir la consulter ultérieurement.



Pour des raisons de sécurité, ne jouez pas pieds nus ou en chaussettes lorsque vous utilisez le pédalier.

THRUSTMASTER® DECLINE TOUTE RESPONSABILITE EN CAS DE BLESSURE SUITE A UNE UTILISATION DU PEDALIER SANS CHAUSSURES.



Avertissement – Risque de pincement au niveau du pédalier lors des phases de jeu

- * Laissez le pédalier hors de portée des enfants.
- * Lors des phases de jeu, ne placez jamais vos doigts sur ou à proximité des côtés des pédales.
- * Lors des phases de jeu, ne placez jamais vos doigts sur ou à proximité de la base arrière des pédales.
- * Lors des phases de jeu, ne placez jamais vos doigts sur ou à proximité de la base avant des pédales.

JAMAIS



JAMAIS



JAMAIS





IMPORTANT :

- Ne branchez ou débranchez jamais le pédalier de la base du volant lorsque celui-ci est connecté à la console PS5™ ou à la console PS4™ ou à un PC, ou en cours de jeu, pour ne pas fausser la calibration.
- Branchez toujours le pédalier avant de relier le volant à la console PS5™ ou à la console PS4™ ou à un PC.
- Une fois le volant autocalibré et le jeu lancé, les pédales se calibrent automatiquement après quelques pressions.
- Lors des phases d'autocalibration de la roue du volant et lorsque votre jeu se lance, n'appuyez jamais sur les pédales, au risque de fausser la calibration.
- Si vos pédales ne fonctionnent pas correctement ou semblent mal calibrées, éteignez votre système, déconnectez entièrement votre volant, reconnectez tous les câbles (y compris le câble d'alimentation secteur et le câble du pédalier), redémarrez le système et relancez votre jeu.

FIXATION DU PEDALIER SUR UN COCKPIT

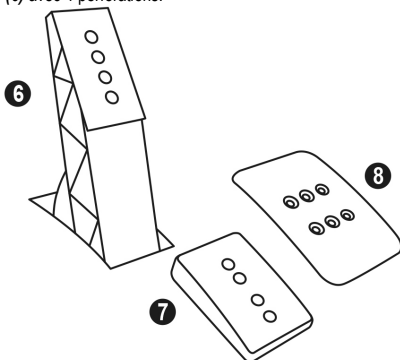
- Fixez le pédalier via les petits pas de vis situés sous ce dernier.
- Vissez 2 vis M6 (non fournies) dans la tablette du cockpit et dans les 2 petits pas de vis situés sous le pédalier.

Important : La longueur de ces 2 vis M6 ne doit pas dépasser l'épaisseur de votre support +10 mm pour ne pas endommager les composants internes du pédalier.

REGLAGES DU PEDALIER

Chacune des 3 pédales comprend :

- Une tête métallique (8) avec plusieurs perforations (9 pour l'accélérateur – 2 pour le frein – 6 pour l'embrayage).
- Un support de tête plastique (7) (placé entre la tête et le bras) avec 4 perforations.
- Un bras de pédale (6) avec 4 perforations.

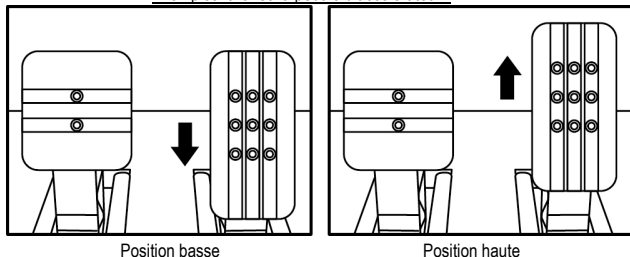


ATTENTION : Pour éviter tout problème de calibration, débranchez toujours le câble USB de votre volant avant d'effectuer des réglages sur votre pédalier.

Ajuster la HAUTEUR des 3 pédales

- A l'aide de la clé Allen 2,5 mm fournie (4), dévissez les 2 vis maintenant la tête métallique (8) et son support (7).
- Choisissez ensuite votre position en hauteur, puis revissez le tout.

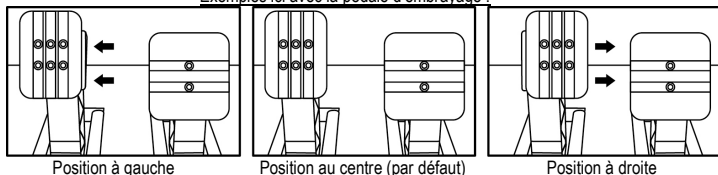
Exemples ici avec la pédale d'accélérateur :



Ajuster l'ECARTEMENT de la pédale d'accélérateur et d'embrayage

- A l'aide de la clé Allen 2,5 mm fournie (4), dévissez les 2 vis maintenant la tête métallique (8) et son support (7).
- Choisissez ensuite votre position (à gauche, au centre ou à droite), puis revissez le tout.

Exemples ici avec la pédale d'embrayage :



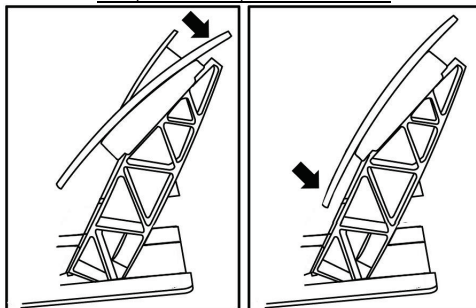
Nombre de positions en écartement possibles par pédale :

- 3 pour la pédale d'accélérateur
- 3 pour la pédale d'embrayage

Ajuster l'INCLINAISON des 3 pédales

- A l'aide de la clé Allen 2,5 mm fournie (4), dévissez les 2 vis maintenant la tête métallique (8) et son support (7).
- Retournez ensuite le support de tête plastique (7) de 180°, puis revissez le tout.

Exemples ici avec la pédale d'accélérateur :



Position moins inclinée Position plus inclinée (par défaut)

Nombre de positions d'inclinaison possibles par pédale :

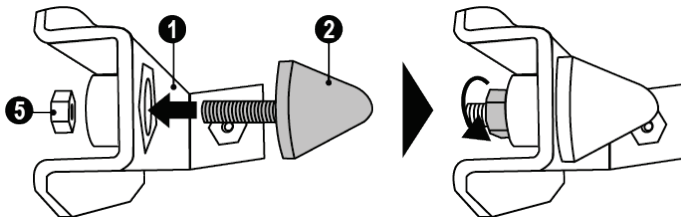
- 2 pour la pédale d'accélérateur
- 2 pour la pédale de frein
- 2 pour la pédale d'embrayage

Installer la butée conique (MOD « CONICAL RUBBER BRAKE »)

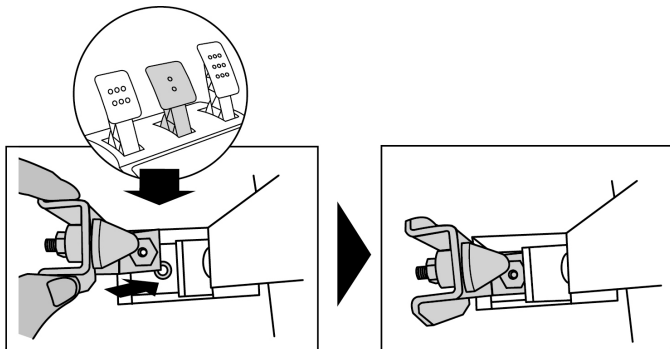
Ce MOD n'est pas obligatoire et n'est pas installé par défaut. Cela signifie que la pédale de frein fonctionne parfaitement même si le MOD n'est pas installé.

Ce MOD permet d'apporter un feeling et une résistance différents lors des freinages. Il appartient à chacun de l'installer ou non en fonction de ses préférences.

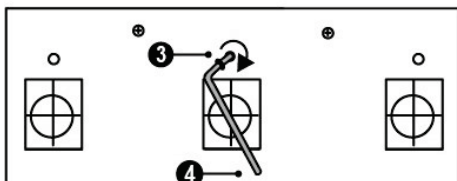
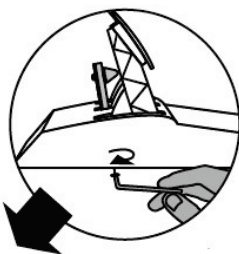
- Vissez la butée conique (2) sur son support métallique (1).
- Vissez l'écrou de réglage de position (5) à l'arrière (sur le pas de vis de la butée conique).



- Positionnez l'ensemble à l'arrière du bras de la pédale de frein.



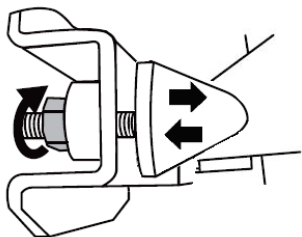
- A l'aide de la clé Allen 2,5 mm fournie (4), fixez l'ensemble en utilisant la vis de fixation (3) et le petit pas de vis central situé sous le pédalier.



Le MOD « CONICAL RUBBER BRAKE » est désormais installé !

Ajuster la COURSE de débattement et la FORCE de résistance de la pédale de frein

En dévissant légèrement l'écrou (5), vous pouvez également durcir davantage la résistance de la pédale de frein en rapprochant la butée conique (2) de l'arrière du bras de la pédale (utilisez si nécessaire une clé de 14 ou une pince pour resserrer l'écrou et maintenir la position souhaitée). Plus la butée conique sera proche de l'arrière du bras de la pédale, plus la résistance sera élevée.



Remarque : Lorsque la butée conique est très proche de l'arrière du bras de la pédale de frein, vous pouvez avoir des difficultés à atteindre la valeur maximale de calibration. Dans ce cas :

- * Appuyez –lentement– très fortement sur la pédale de frein pour atteindre la valeur maximale (si nécessaire, mettez-vous debout un court instant sur la pédale), puis relâchez la pression.
- * Ou éloignez légèrement la butée conique de l'arrière du bras.

INFORMATIONS RELATIVES A LA GARANTIE AUX CONSOMMATEURS

Dans le monde entier, Guillemot Corporation S.A., ayant son siège social Place du Granier, B.P. 97143, 35571 Chantepie, France (ci-après « Guillemot ») garantit au consommateur que le présent produit Thrustmaster est exempt de défaut matériel et de vice de fabrication, et ce, pour une période de garantie qui correspond au délai pour intenter une action en conformité de ce produit. Dans les pays de l'Union Européenne, ce délai est de deux (2) ans à compter de la délivrance du produit Thrustmaster. Dans les autres pays, la durée de la période de garantie correspond au délai pour intenter une action en conformité du produit Thrustmaster selon la législation en vigueur dans le pays où le consommateur avait son domicile lors de l'achat du produit Thrustmaster (si une telle action en conformité n'existe pas dans ce pays alors la période de garantie est de un (1) an à compter de la date d'achat d'origine du produit Thrustmaster).

Si, au cours de la période de garantie, le produit semble défectueux, contactez immédiatement le Support Technique qui vous indiquera la procédure à suivre. Si le défaut est confirmé, le produit devra être retourné à son lieu d'achat (ou tout autre lieu indiqué par le Support Technique).

Dans le cadre de la garantie, le consommateur bénéficiera, au choix du Support Technique, d'un remplacement ou d'une remise en état de marche du produit défectueux. Si, pendant la période de garantie, le produit Thrustmaster fait l'objet d'une telle remise en état, toute période d'immobilisation d'au moins sept jours vient s'ajouter à la durée de la garantie qui restait à courir (cette période court à compter de la demande d'intervention du consommateur ou de la mise à disposition pour remise en état du produit en cause, si cette mise à disposition est postérieure à la demande d'intervention). Lorsque la loi applicable l'autorise, toute responsabilité de Guillemot et ses filiales (y compris pour les dommages indirects) se limite à la remise en état de marche ou au remplacement du produit Thrustmaster. Lorsque la loi applicable l'autorise, Guillemot exclut toutes garanties de qualité marchande ou d'adaptation à un usage particulier.

Cette garantie ne s'appliquera pas : (1) si le produit a été modifié, ouvert, altéré, ou a subi des dommages résultant d'une utilisation inappropriée ou abusive, d'une négligence, d'un accident, de l'usure normale, ou de toute autre cause non liée à un défaut matériel ou à un vice de fabrication (y compris, mais non limitativement, une combinaison du produit Thrustmaster avec tout élément inadapté, notamment alimentations électriques, batteries, chargeurs, ou tous autres éléments non-fournis par Guillemot pour ce produit) ; (2) si le produit a été utilisé en dehors du cadre privé, à des fins professionnelles ou commerciales (salles de jeu, formations, compétitions, par exemple). (3) en cas de non respect des instructions du Support Technique ; (4) aux logiciels, lesdits logiciels faisant l'objet d'une garantie spécifique ; (5) aux consommables (éléments à remplacer pendant la durée de vie du produit : piles, coussinets de casque audio, par exemple) ; (6) aux accessoires (câbles, étuis, housses, sacs, dragonnes, par exemple) ; (7) si le produit a été vendu aux enchères publiques.

Cette garantie n'est pas transférable.

Les droits légaux du consommateur au titre de la législation applicable dans son pays à la vente de biens de consommation ne sont pas affectés par la présente garantie.

Par exemple, en France, indépendamment de la présente garantie, le vendeur reste tenu de la garantie légale de conformité mentionnée aux articles L. 217-4 à L.217-12 du code de la consommation et de celle relative aux défauts (vices cachés) de la chose vendue, dans les conditions prévues aux articles 1641 à 1648 et 2232 du code civil. La loi applicable (c'est-à-dire la loi française) impose de reproduire les extraits de la loi française suivants :

Article L. 217-4 du code de la consommation :

Le vendeur livre un bien conforme au contrat et répond des défauts de conformité existant lors de la délivrance.

Il répond également des défauts de conformité résultant de l'emballage, des instructions de montage ou de l'installation lorsque celle-ci a été mise à sa charge par le contrat ou a été réalisée sous sa responsabilité.

Article L. 217-5 du code de la consommation :

Le bien est conforme au contrat :

1° S'il est propre à l'usage habituellement attendu d'un bien semblable et, le cas échéant :

- s'il correspond à la description donnée par le vendeur et possède les qualités que celui-ci a présentées à l'acheteur sous forme d'échantillon ou de modèle ;

- s'il présente les qualités qu'un acheteur peut légitimement attendre eu égard aux déclarations publiques faites par le vendeur, par le producteur ou par son représentant, notamment dans la publicité ou l'étiquetage ;

2° Ou s'il présente les caractéristiques définies d'un commun accord par les parties ou est propre à tout usage spécial recherché par l'acheteur, porté à la connaissance du vendeur et que ce dernier a accepté.

Article L. 217-12 du code de la consommation :

L'action résultant du défaut de conformité se prescrit par deux ans à compter de la délivrance du bien.

Article L. 217-16 du code de la consommation :

Lorsque l'acheteur demande au vendeur, pendant le cours de la garantie commerciale qui lui a été consentie lors de l'acquisition ou de la réparation d'un bien meuble, une remise en état couverte par la garantie, toute période d'immobilisation d'au moins sept jours vient s'ajouter à la durée de la garantie qui restait à courir.

Cette période court à compter de la demande d'intervention de l'acheteur ou de la mise à disposition pour réparation du bien en cause, si cette mise à disposition est postérieure à la demande d'intervention.

Article L. 1641 du code civil :

Le vendeur est tenu de la garantie à raison des défauts cachés de la chose vendue qui la rendent impropre à l'usage auquel on la destine, ou qui diminuent tellement cet usage que l'acheteur ne l'aurait pas acquise, ou n'en aurait donné qu'un moindre prix, s'il les avait connus.

Article L. 1648 alinéa 1^{er} du code civil :

L'action résultant des vices rédhibitoires doit être intentée par l'acquéreur dans un délai de deux ans à compter de la découverte du vice.

Stipulations additionnelles à la garantie

Pendant la période de garantie, Guillemot ne fournit, en principe, pas de pièce détachée car le Support Technique est seul habilité tant à ouvrir qu'à remettre en état tout produit Thrustmaster (à l'exception des remises en état que le Support Technique demanderait, par instructions écrites, au consommateur d'effectuer -par exemple en raison de la simplicité et de l'absence de confidentialité du processus de remise en état-, en lui fournissant, le cas échéant, la ou les pièces détachées nécessaires).

Compte tenu de ses cycles d'innovation et pour préserver ses savoir-faire et secrets, Guillemot ne fournit, en principe, ni notice de remise en état, ni pièce détachée pour tout produit Thrustmaster dont la période de garantie est expirée.

Aux États-Unis d'Amérique et au Canada, la présente garantie est limitée au mécanisme interne et au boîtier externe du produit. En aucun cas, Guillemot ou ses sociétés affiliées ne sauraient être tenues responsables envers qui que ce soit de tous dommages indirects ou dommages accessoires résultant du non respect des garanties expresses ou implicites. Certains États/Provinces n'autorisent pas la limitation sur la durée d'une garantie implicite, ou l'exclusion ou la limitation de responsabilité pour les dommages indirects ou accessoires, de sorte que les limitations ou exclusions ci-dessus peuvent ne pas vous être applicables. Cette garantie vous confère des droits spécifiques ; vous pouvez également bénéficier d'autres droits qui peuvent différer d'un État/Province à l'autre.

Responsabilité

Lorsque la loi applicable l'autorise, Guillemot Corporation S.A. (ci-après « Guillemot ») et ses filiales excluent toute responsabilité pour tous dommages causés par un ou plusieurs des faits suivants: (1) le produit a été modifié, ouvert, altéré, (2) l'irrespect des instructions de montage, (3) l'utilisation inappropriée ou abusive, la négligence, l'accident (un choc, par exemple), (4) l'usure normale du produit, (5) l'utilisation du produit en dehors du cadre privé, à des fins professionnelles ou commerciales (salles de jeu, formations, compétitions, par exemple). Lorsque la loi applicable l'autorise, Guillemot et ses filiales excluent toute responsabilité pour tout dommage dont la cause n'est pas liée à un défaut matériel ou à un vice de fabrication du produit (y compris, mais non limitativement, tout dommage causé directement ou indirectement par tout logiciel, ou par une combinaison du produit Thrustmaster avec tout élément inadapté, notamment alimentations électriques, batteries, chargeurs, ou tous autres éléments non-fournis par Guillemot pour ce produit).

Déclaration de conformité

UTILISATEURS CANADIENS :

Cet appareil numérique de la classe B respecte toutes les exigences du Règlement sur le matériel brouilleur du Canada.

THRUSTMASTER®

SUPPORT TECHNIQUE

<https://support.thrustmaster.com>



COPYRIGHT

© 2021 Guillemot Corporation S.A. Tous droits réservés. Thrustmaster® est une marque déposée de Guillemot Corporation S.A. Fabriqué et distribué par Guillemot Corporation S.A. Toutes les autres marques déposées et noms commerciaux sont reconnus par les présentes et sont la propriété de leurs propriétaires respectifs. Le contenu, la conception et les spécifications sont susceptibles de changer sans préavis et de varier selon les pays. Photos et illustrations non contractuelles. Conçu en Amérique du Nord et en Europe, fabriqué en Chine.

À utiliser exclusivement avec les consoles PlayStation®5 et les consoles PlayStation®4.

“PS”, “PlayStation”, “PS5” et “PS4” sont des marques déposées ou des marques de Sony Interactive Entertainment Inc. Tous droits réservés. Toutes les autres marques sont la propriété de leurs propriétaires respectifs. Fabriqué et distribué sous licence de Sony Interactive Entertainment LLC.

Gran Turismo et le logo Gran Turismo sont des marques déposées ou des marques de Sony Interactive Entertainment Inc.

Technologie TouchSense® sous licence d’Immersion Software Ireland Limited. Protégée par un ou plusieurs brevets américains dont la liste est disponible à l’adresse www.immersion.com/patent-marking.html, et d’autres brevets en attente.

RECOMMANDATION RELATIVE A LA PROTECTION DE L'ENVIRONNEMENT



Dans l’Union Européenne, au Royaume-Uni et en Turquie : En fin de vie, ce produit ne doit pas être éliminé avec les déchets ménagers normaux mais déposé à un point de collecte des déchets d’équipements électriques et électroniques en vue de son recyclage.

Ceci est confirmé par le symbole figurant sur le produit, le manuel utilisateur ou l’emballage.

En fonction de leurs caractéristiques, les matériaux peuvent être recyclés. Par le recyclage et par les autres formes de valorisation des déchets d’équipements électriques et électroniques, vous contribuez de manière significative à la protection de l’environnement. Veuillez consulter les autorités locales qui vous indiqueront le point de collecte concerné.

Dans les autres pays : Veuillez-vous reporter aux législations locales relatives au recyclage des équipements électriques et électroniques.

Informations à conserver. Les couleurs et décorations peuvent varier.

Il est recommandé de retirer les attaches en plastique et les adhésifs avant d’utiliser le produit.

www.thrustmaster.com

**Applicable à l’UE, au RU et à la Turquie uniquement*



immersion.

T-GT II

Für PlayStation®5-Konsolen und PlayStation®4-Konsolen

Benutzerhandbuch

DE FR EN

IT IL

IT

ES

PT

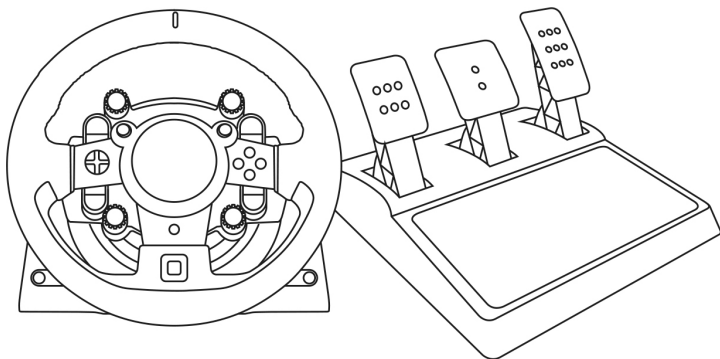
BR

RU

CS

TR

PL

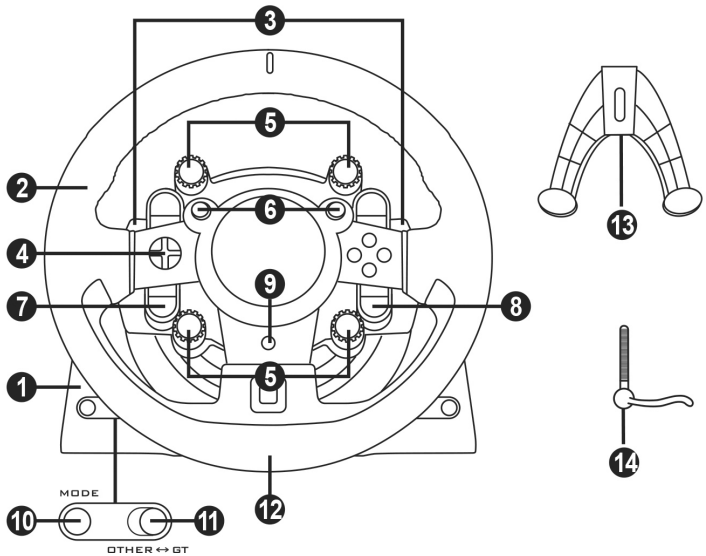


ACHTUNG!

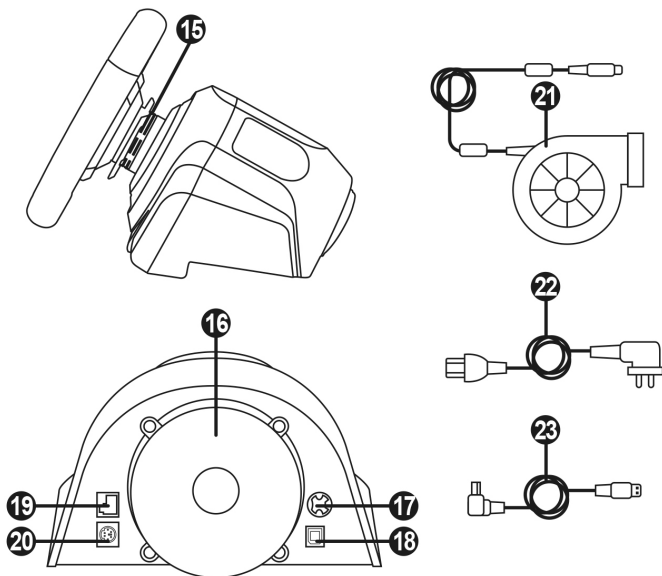
Um sicher zu stellen, daß Ihr T-GT II Rennlenkrad mit Spielen korrekt funktioniert, ist es eventuell erforderlich die automatischen Aktualisierungen für das Spiel zu installieren.

(Verfügbar, wenn Ihre Konsole mit dem Internet verbunden ist.)

TECHNISCHE SPEZIFIKATIONEN



- | | |
|--|---|
| <ul style="list-style-type: none"> 1 T-GT II Basis 2 T-GT II Lenkrad 3 2 sequentielle Schaltwippen (<i>Gang hoch & runter</i>) 4 Multidirektionale Buttons 5 4 Drehwählschalter mit Push-Funktion 6 2 Ministicks 7 SHARE/CREATE-Taste | <ul style="list-style-type: none"> 8 OPTIONS -Taste 9 PS -Taste 10 MODE –Taste + rot/grün Leuchte 11 Eingebauter USB-Schiebeschalter: OTHER / GT 12 Großes Gewindeloch (<i>für Befestigungssystem und –schraube</i>) 13 Befestigungshilfe 14 Metallschraubenzieher |
|--|---|



- | | |
|--|--|
| 15 Thrustmaster Quick Release | 20 Anschluß für TH8A-Gangschaltung
(Gangschaltung ist separat erhältlich) |
| 16 T-DFB-Effektsystem (nur kompatibel mit den PS5™-Konsolen und PS4™-Konsolen im GT-Modus) | 21 T-TURBO-Netzteil |
| 17 Anschluß für T-TURBO-Netzteil | 22 Stromkabel |
| 18 Anschluß für abnehmbares USB-Kabel | 23 Abnehmbares USB-Kabel |
| 19 Anschluß für Pedal-Set | |

DAS RENNLENKRAD AM STROMNETZ ANSCHLIESSEN: BITTE AUFMERKSAM LESEN!



Niemals den Stecker des T-TURBO-Netzteils in eine Steckdose mit einer anderen Spannung stecken! Die zu nutzende Spannung des T-TURBO-Netzteils ist oberhalb des weiblichen Steckers des Stromkabels angegeben.



Niemals ein anderes Netzteil als das T-TURBO-Netzteil an die T-GT II Basis anschließen. Auch dann nicht, wenn der Stecker des anderen Netzteils kompatibel ist! Zum Beispiel nicht das Netzteil des T500RS an die T-GT II Basis anschließen!

WARNHINWEISE

Bevor Sie dieses Produkt benutzen, lesen Sie bitte diese Dokumentation sorgfältig durch und bewahren Sie diese sicher auf, falls Sie später etwas nachlesen müssen.



Warnung – elektrischer Schlag

- * Lagern Sie das Produkt an einem trockenen Ort und setzen Sie es weder Staub noch direktem Sonnenlicht aus.
- * Verdrehen Sie keine Kabel oder ziehen direkt an deren Steckern.
- * Schütten Sie keine Flüssigkeiten auf das Produkt oder dessen Anschlüsse.
- * Schließen Sie das Produkt nicht kurz.
- * Zerlegen Sie das Produkt niemals, werfen es ins Feuer oder setzen es hohen Temperaturen aus.
- * Nutzen Sie kein anderes Stromkabel als das mitgelieferte.
- * Nutzen Sie das Stromkabel nicht, wenn dieses oder dessen Stecker brüchig oder beschädigt ist.
- * Stellen Sie sicher, daß das Netzkabel richtig in die Steckdose gesteckt wurde und korrekt mit dem rückwärtigen Anschluss an der Rennlenkradbasis verbunden ist.
- * Öffnen Sie niemals das Rennlenkrad. Es befinden sich keine vom Benutzer austauschbare Teile im Innern. Jedwede Reparaturen müssen von einer vom Hersteller angegebenen Werkstatt oder einem qualifizierten Techniker ausgeführt werden.
- * Nutzen Sie ausschließlich vom Hersteller empfohlene Befestigungssysteme/Accessoires.
- * Falls das Lenkrad sich ungewöhnlich verhält (seltsame Geräusche, Hitze oder Gerüche abgibt), stoppen Sie sofort dessen Benutzung, trennen das Stromkabel vom Netz und ziehen alle anderen Kabel ab.
- * Sollten Sie das Lenkrad für eine längere Zeit nicht benutzen, trennen Sie diesen vom Stromnetz.
- * Die Steckdose sollte sich in der Nähe des Rennlenkrades befinden und leicht zugänglich sein.

Informationen für 220-V-Netzadapter

Veröffentlichte Informationen	Wert	Einheit
Name des Herstellers oder Marke; Handelsregisternummer und Adresse	GUILLEMOT CORPORATION S.A. 414 196 758 Rennes Place du Granier BP 97143 35571 Chantepie Cedex Frankreich	
Modellbezeichnung	Turbo Power 220 V	
Eingangsspannung	220 - 240	V
AC-Eingangsfrequenz	50 / 60	Hz
Ausgangsspannung	24,0	V AC
Ausgangsstrom	4,0	A
Ausgangsleistung	96,0	W
Durchschnittlicher Wirkungsgrad	90,9	%
Wirkungsgrad bei niedriger Last (10 %)	86,8	%
Leistungsaufnahme bei Nulllast	0,01	W



Lüftungsschlitze

Achten Sie darauf keine der Lüftungsschlitze an der Lenkradbasis zu verdecken. Für eine optimale Belüftung beachten Sie bitte die folgenden Hinweise:

- * Stellen Sie die Basis mindestens 10 cm entfernt von Wänden auf.
- * Stellen Sie die Basis nicht in engen Zwischenräumen auf.
- * Decken Sie die Basis niemals ab.
- * Vermeiden Sie auf jeden Fall Staubbildung an den Lüftungsschlitzen.



**Benutzen Sie aus Sicherheitsgründen das Pedalset niemals barfuß oder in Socken.
THRUSTMASTER® ÜBERNIMMT KEINERLEI HAFTUNG BEI VERLETZUNGEN DURCH
EINSATZ DES PEDALSETS OHNE SCHUHE.**



Warnung - Verletzungen durch Force Feedback und wiederholte Bewegungen

Spielen mit einem Force-Feedback-Lenkrad kann Muskel- oder Gelenkschmerzen verursachen. Um Probleme zu vermeiden:

- * Vermeiden Sie längere Spielzeiten.
- * Pausieren Sie für 10 bis 15 Minuten nach einer Stunde Spiel.
- * Wenn Sie irgendeine Müdigkeit oder Schmerzen in den Händen, Handgelenken, Armen, Beinen oder Füßen fühlen, unterbrechen Sie das Spiel und ruhen für ein paar Stunden, bevor Sie wieder zu spielen beginnen.
- * Wenn Sie wieder zu spielen beginnen und die oben beschriebenen Symptome oder Schmerzen weiterbestehen, unterbrechen Sie das Spiel und konsultieren Sie Ihren Arzt.
- * Außerhalb der Reichweite von Kindern aufbewahren.
- * Lassen Sie immer beide Hände während des Spielens am Lenkrad positioniert, ohne dieses völlig loszulassen.
- * Platzieren Sie Ihre Hände oder Finger während des Spielens niemals unter die Pedale oder in deren Nähe.
- * Stecken Sie weder Ihren Arm noch Ihre Hand während der Kalibrierung oder im Spiel durch die Speichen des Lenkkranses.
- * Überprüfen Sie den festen Sitz der Lenkradbasis entsprechend der Anleitungen dieses Handbuchs.

SCHWERES PRODUKT

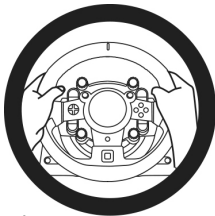


Produkt nur für den Gebrauch von Personen über 16 Jahre oder älter



Lassen Sie das Produkt niemals auf sich oder andere fallen!

IMMER



NIE



NIE



Achtung – Quetschgefahr am Pedalset während des Spielens

- * Bewahren Sie das Pedalset außerhalb der Reichweite von Kindern auf.
- * Bringen Sie während des Spielens niemals Ihre Finger auf oder in die Nähe der Seiten der Pedale.
- * Bringen Sie während des Spielens niemals Ihre Finger auf oder in die Nähe der Pedalrückseite.
- * Bringen Sie während des Spielens niemals Ihre Finger auf oder in die Nähe der Pedalvorderseite.

NIE



NIE



NIE



Achtung – Quetschgefahr am Pedalset nach dem Spielen

- * Bewahren Sie das Pedalset sicher außerhalb der Reichweite von Kindern auf.

AKTUALISIEREN DER FIRMWARE IHRES RENNLENKRADS

Die in Ihrer Rennlenkradbasis enthaltene Firmware kann durch eine produktverbessernde und aktuellere Firmware aktualisiert werden.

Um die aktuelle Version der Firmware Ihres Rennlenkrads anzuzeigen und ob eine Aktualisierung eventuell verfügbar ist, rufen Sie auf Ihrem PC die Website <https://support.thrustmaster.com/> auf. Dann klicken Sie auf **Lenkräder / T-GT II**, wählen **Firmware** aus und folgen den Anweisungen zum Download und der Installation.

Wichtiger Hinweis:

Der USB-Schiebeschalter (11) an der Rennlenkradbasis muss bei einer Nutzung mit dem PC immer auf die OTHER-Position gestellt sein.

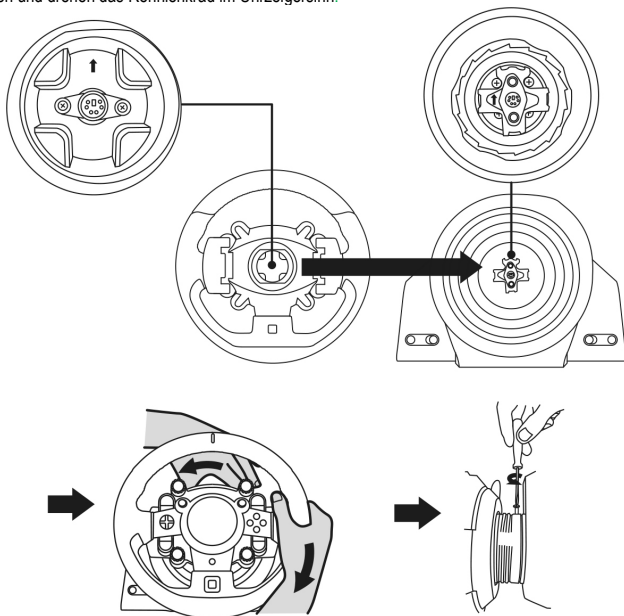
MONTAGE DES RENNLENKRADS AUF DESSEN BASIS

Richten Sie die Positionen der Anschlüsse mittels der Pfeile aus:

Basisanschluss (1): Pfeil zeigt nach oben

Rennlenkradanschluss (2): Pfeil zeigt nach oben

Sind die Anschlüsse korrekt positioniert, drehen Sie einfach den Thrustmaster Quick Release (15) Ring des Gerätes entgegen dem Uhrzeigersinn, während Sie das Rennlenkrad (2) in Position halten. Drehen Sie dann den Ring, soweit Sie können. Um dies zu bewerkstelligen, halten Sie den Ring in Position und drehen das Rennlenkrad im Uhrzeigersinn.



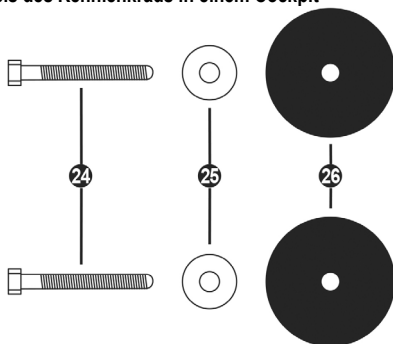
Nach dem Montieren Ihres Rennlenkrads drehen Sie diesen um 180° (mit Blick auf das Lenkrad sollte das GT Logo aufrecht stehen), um die kleine Befestigungsschraube am Ring des Thrustmaster Quick Release (15) zu erreichen. Mittels eines großen Kreuzschlitz-Schraubendrehers ziehen Sie die kleine Schraube im Uhrzeigersinn fest. Bitte üben Sie dabei keine exzessive Kraft aus.



**Wenn Sie einen Philips-Akkuschraubenzieher benutzen, dann versichern Sie bitte, dass Sie nicht mit unnötiger bzw. zu viel Kraft die Befestigungsschraube anziehen!
Stoppen Sie das Eindrehen der Schraube, wenn Sie einen Widerstand bemerken.**

BEFESTIGEN DES RENNLENKRADS

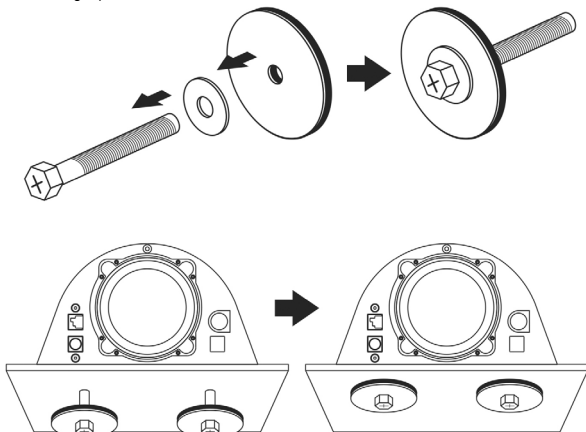
Montage der Basis des Rennlenkrads in einem Cockpit



24 2 M6-Sechskantkopfschrauben

25 2 Unterlegscheiben

26 2 Befestigungsscheiben (eine Seite hat eine Metalloberfläche, die andere Seite ist mit strukturiertem Gummi bezogen)



1. Legen Sie die Unterlegscheiben (25) auf die metallene Seite der Befestigungsscheiben (26) und stecken Sie die M6-Sechskantkopfschrauben (24) durch die Öffnung.
2. Platzieren Sie die Basis des Rennlenkrads auf der Cockpit-Ablage.
3. Bitte benutzen Sie einen 10mm Schraubenschlüssel um das Befestigungsset des Cockpits mit der Cockpit-Ablage durch die zwei kleinen Schraubenlöcher an der Unterseite des Lenkrads zu verbinden.

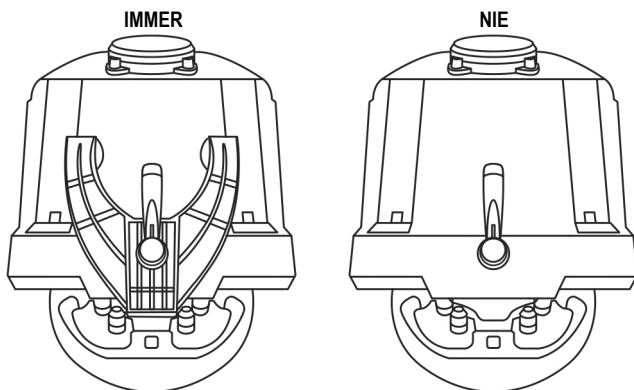
ACHTUNG:

- Bitte nicht die Schaumstoff-Pads an der Unterseite der Basis des Rennlenkrades entfernen. Diese Schaumstoff-Pads übertragen den Effekt des T-DFB-Systems, wenn das Lenkrad befestigt ist.

- Die gummierte Oberfläche der Befestigungsscheiben (26) muss so angebracht werden, dass diese Oberfläche auf die Cockpit-Ablage zeigt = niemals die metallene Oberfläche der Befestigungsscheibe in direkten Kontakt mit der Cockpit-Ablage bringen!

Befestigen Sie das Rennlenkrad auf einem Tisch oder Schreibtisch

1. Platzieren Sie das Lenkrad auf einem Tisch oder einer anderen waagerechten, ebenen und stabilen Oberfläche.
2. Stecken Sie die Befestigungsschraube (14) in das Befestigungssystem (13). Ziehen Sie dann die Schraube entgegen dem Uhrzeigersinn im Schraubgewinde (12) unterhalb des Geräts, bis das Lenkrad sicher und perfekt stabil auf der Oberfläche montiert ist.



ACHTUNG:

- Ziehen Sie die Schraube niemals ohne das Befestigungssystem fest! (Dies könnte Ihr Rennlenkrad beschädigen).

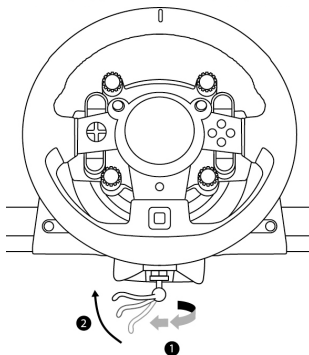
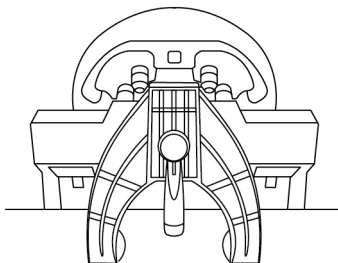
- Bitte nicht die Schaumstoff-Pads an der Unterseite der Basis des Rennlenkrades entfernen. Diese Schaumstoff-Pads übertragen den Effekt des T-DFB-Systems, wenn das Lenkrad befestigt ist.

**MONTAGE /
ABMONTIEREN**

RICHTUNG

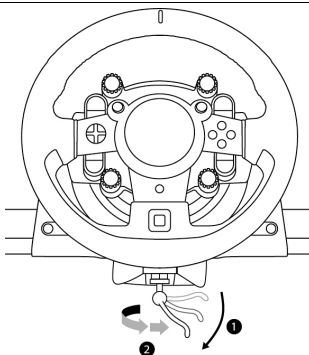
Montieren:

***Drehen der
Schraube entgegen
dem Uhrzeigersinn***



Abmontieren:

***Drehen der
Schraube im
Uhrzeigersinn***



EINRICHTUNG DES RENNLENKRADS FÜR PS5™-KONSOLEN UND PS4™-KONSOLEN

1. Schließen Sie das Pedal-Set an den entsprechenden Anschluß (19) auf der Rückseite der Basis des Rennlenkrades an.
2. Schließen Sie das T-TURBO-Netzteil (21) an den dazugehörigen Anschluß (17) an.
3. Schließen Sie das Stromkabel (22) an das T-TURBO-Netzteil an und stecken Sie dann den Stecker des Stromkabels in eine Steckdose mit der angegebenen Spannung.
4. Stellen Sie den USB-Schiebeschalter (11) auf die Position "OTHER" oder "GT", je nachdem, welches PS5™-Spiel oder PS4™-Spiel Sie verwenden.
5. Schließen Sie das abnehmbare USB-Kabel (23) an seinen Stecker (18) und diesen anschließend an einen der USB-Anschlüsse an der PS5™-Konsole oder PS4™-Konsole an.
6. Sobald Ihre PS5™-Konsole oder PS4™-Konsole eingeschaltet ist, kalibriert sich Ihr Rennlenkrad selbst.
7. Drücken Sie die PS-Taste (9) am Rennlenkrad, und melden Sie sich bei Ihrem PlayStation™Network-Konto an, damit Ihr Lenkrad funktionsfähig ist.

Und jetzt kann es losgehen!

Wichtige Hinweise:

- Vergessen Sie nicht die PS-Taste (9) am Rennlenkrad zu drücken, damit Ihr Lenkrad einsatzbereit ist.
- Der USB-Schiebeschalter (11) an der Basis des Rennlenkrades muss immer in der richtigen Position eingestellt sein ("OTHER" oder "GT"), bevor das USB-Kabel des Rennlenkrades in die Konsole eingesteckt wird.
So ändern Sie die Position des Schiebeschalters: Ziehen Sie das USB-Kabel ab, und stellen Sie den Schalter in die entsprechende Position, bevor Sie das USB-Kabel wieder an die Konsole anschließen.
- Die Liste der PlayStation®5-Spiele und PlayStation®4-Spiele, die mit dem T-GT II kompatibel sind (zusammen mit der je nach Spiel erforderlichen Position des USB-Schiebeschalters (5)), finden Sie hier: <https://support.thrustmaster.com> (im Abschnitt Lenkräder/T-GT II). Diese Liste wird regelmäßig aktualisiert.

USB-SCHIEBESCHALTER (11) IN DER POSITION "OTHER" FÜR PS5™-SPIELE UND PS4™-SPIELE AUSSER GT SPORT

Der USB-Schiebeschalter (11) ist auf die "OTHER"-Position eingestellt:

- * Das Force Feedback-System funktioniert, das T-DFB-System (16) nicht.

USB-SCHIEBESCHALTER (11) IN DER "GT"-POSITION FÜR DAS SPIEL GT SPORT (UND ANDERE ZUKÜNFTIGE GT-SPIELE)

Der USB-Schiebeschalter (11) ist auf die "GT"-Position eingestellt:

- * Das Force-Feedback-System und das T-DFB-System (16) funktionieren beide gleichzeitig. In den Optionen der GT Sport-Spiele kann die Stärke der beiden Systeme individuell und voneinander unabhängig eingestellt werden.

EINRICHTEN DES RENNLENKRADS FÜR DEN PC*

*Die PC-Kompatibilität wurde von Sony Interactive Entertainment Europe und Sony Interactive Entertainment LLC. nicht bestätigt.

Weitere Informationen auf <https://support.thrustmaster.com/>.

AUTOMATISCHE RENNLENKRAD- UND PEDALSET-KALIBRIERUNG

Das Rennlenkrad kalibriert sich automatisch selbst beim Anschluss desselben an die Stromversorgung und den USB-Anschluss an der Konsole.

Während dieser Phase dreht sich der Lenkkranz schnell nach rechts und links und deckt dabei einen Rotationswinkel von 1080° ab. Danach stoppt der Lenkkranz in der mittleren Position.



WARNUNG:

**Berühren Sie das Rennlenkrad niemals während der Kalibrierungsphase
(Dies kann zu Kalibrierungsfehlern und/oder Verletzungen führen.)**

AUTOMATISCHE KALIBRIERUNG DES PEDALSETS

Verbinden/Trennen Sie das Pedalset niemals mit/von der Rennlenkradbasis, wenn diese mit der Konsole verbunden ist oder während eines Spiels. Dies kann zu Kalibrierungsfehlern führen. Schließen Sie das Pedalset ausschließlich nur an das Rennlenkrad an, bevor dieser an der Konsole angeschlossen ist. Nach der Selbstkalibrierung des Lenkrads und nach dem Spielstart werden die Pedale nach mehrmaligem Niederdrücken automatisch kalibriert.



WARNUNG:

Betätigen Sie die Pedale niemals während der Selbstkalibrierung des Lenkrads oder während ein Spiel geladen wird!! (Dies kann zu Kalibrierungsfehlern führen.)

Falls Ihr Rennlenkrad und/oder das Pedalset nicht ordnungsgemäß funktionieren oder die Kalibrierung nicht korrekt zu sein scheint:

Schalten Sie Ihre Konsole aus. Trennen Sie das Rennlenkrad komplett von der Konsole. Schließen Sie die Kabel (auch Netz- und Pedalset-Kabel) erneut an. Starten Sie dann Ihre Konsole und das Spiel neu.

INTERNE KÜHLUNG FÜR DIE BASIS DES LENKRADS

Das interne Kühlungssystem der Basis des Rennlenkrades

- schaltet sich ebenfalls ein, wenn das Lenkrad eingeschaltet wird.
- schaltet sich nach ein paar Minuten Inaktivität aus, wenn die interne Temperatur des Motors sich auf einem niedrigen Level befindet.
- schaltet sich wieder an, wenn das Lenkrad wieder benutzt wird.

MODE-BUTTON UND LEUCHTANZEIGE (10)

MODE-Button für das Pedalset

Sie können die Gas- und Kupplungspedale elektronisch vertauschen.

Um dies zu bewerkstelligen, drücken Sie einfach den MODE-Button (10) für 2 Sekunden.

Der interne Speicher des Rennlenkrads speichert, ob die Pedale vertauscht wurden oder nicht.

GAS- UND KUPPLUNGSPEDALE	Farbe der MODE Leuchtanzeige (10)
NORMAL	ROT
VERTAUSCHT	GRÜN

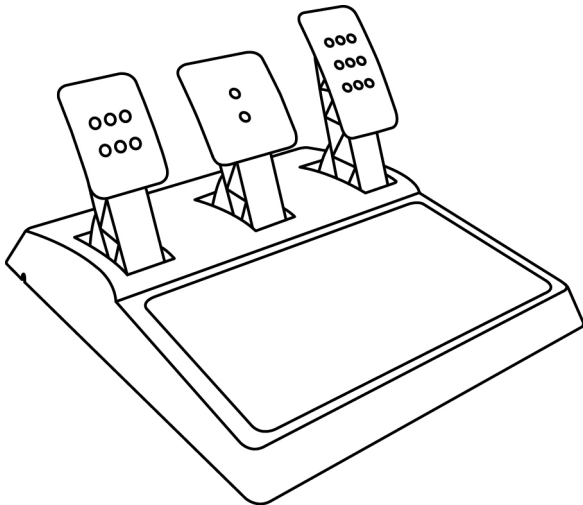
Andere Hinweise für den MODE-Button

Um mehr über den MODE-Button und die Leuchtanzeige zu erfahren, besuchen Sie bitte die Website <https://support.thrustmaster.com/>. Dann klicken Sie auf **Lenkräder / T-GT II** und wählen dann **Benutzerhandbuch** oder **FAQ** aus.

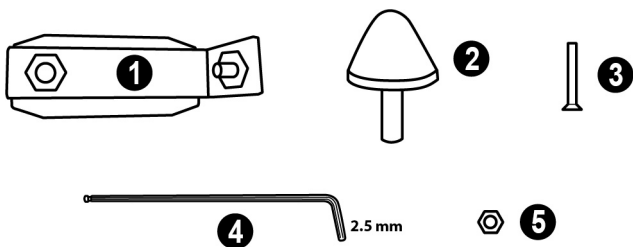
HILFE UND HÄUFIG GESTELLTE FRAGEN

Gehen Sie bitte auf <https://support.thrustmaster.com/>. Dann klicken Sie auf **Lenkräder / T-GT II** und wählen dann **Benutzerhandbuch** oder **FAQ** aus.

T-GT II EDITION-PEDALSET

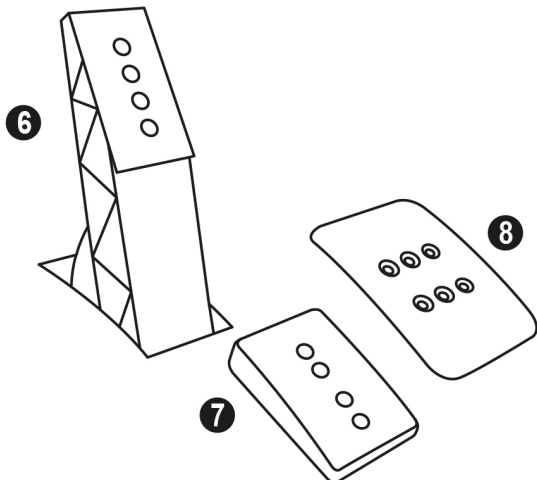


TECHNISCHE MERKMALE



- 1 Metallhalterung für den konischen Stop
(standardmäßig nicht montiert)
- 2 Konischer Stop
- 3 Befestigungsschraube für Metallträger

- 4 2.5 mm Inbusschlüssel (inklusive)
- 5 Positions-Stellmutter für konischen Stop



- 6 Pedalstange aus Metall
- 7 Plastik-Halterung

- 8 Pedalkopf aus Metall

ACHTUNG

Bevor Sie dieses Produkt benutzen, lesen Sie bitte diese Dokumentation sorgfältig durch und bewahren diese sicher auf, falls Sie später etwas nachlesen müssen.



Benutzen Sie das Pedalset aus Sicherheitsgründen niemals barfuß
oder wenn Sie nur Socken tragen.
**THRUSTMASTER® LEHNT JEDWEDE HAFTUNG IM FALLE EINER
VERLETZUNG DURCH DAS PEDALSET DURCH NUTZUNG DESSELBEN
OHNE SCHUHWERK AB.**



Achtung – Quetschgefahr am Pedalset während des Spielens

- * Bewahren Sie das Pedalset außerhalb der Reichweite von Kindern auf.
- * Bringen Sie während des Spielens niemals Ihre Finger auf oder in die Nähe der Seiten der Pedale.
- * Bringen Sie während des Spielens niemals Ihre Finger auf oder in die Nähe der Pedalarückseite.
- * Bringen Sie während des Spielens niemals Ihre Finger auf oder in die Nähe der Pedalvorderseite.

NIE



NIE



NIE



AUTOMATISCHE KALIBRIERUNG DER PEDALE



- Schließen Sie das Pedalset niemals an die Basis des Lenkrads an oder trennen Sie es, wenn das Lenkrad an eine PS5™-Konsole oder PS4™-Konsole oder an einen PC angeschlossen ist, oder während eines laufenden Spiels, damit es keine Kalibrierungsprobleme gibt.
- Schließen Sie das Pedalset immer an das Lenkrad an, bevor Sie das Lenkrad an eine PS5™-Konsole oder PS4™-Konsole oder an einen PC anschließen.
- Nach der Selbstkalibrierung des Lenkrads und zu Beginn eines Spiels, kalibrieren sich die Pedale selbstständig nachdem diese einige Male betätigt wurden.
- Drücken Sie niemals die Pedale während der Selbstkalibrierung des Lenkrads oder beim Spielstart, um Kalibrierungsprobleme zu vermeiden.
- Falls die Pedale nicht korrekt funktionieren oder nicht ordnungsgemäß kalibriert zu sein scheinen: Schalten Sie Ihre Konsole aus. Trennen Sie Ihr Lenkrad völlig von derselben und schließen danach alle Kabel (inkl. Netzkabel und Pedalset-Kabel) wieder an. Schalten Sie Ihre Konsole ein und starten Sie Ihr Spiel erneut.

EINBAU DES PEDALSETS IN EIN COCKPIT

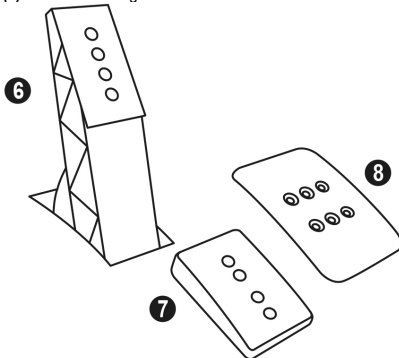
- Montieren Sie das Pedal-Set durch die darunterliegenden kleinen Gewindebohrungen.
- Drehen Sie zwei M6 Schrauben (nicht enthalten) durch die Cockpit-Ablage in die beiden kleinen Schraubgewinde unterhalb des Pedalsets ein.

Wichtig: Die Länge der Schrauben sollte die Dicke der Ablage plus zusätzlich 10 mm nicht überschreiten. Längere Schrauben könnten die internen Komponenten des Pedalsets beschädigen.

ANPASSEN DES PEDALSETS

Jedes der drei Pedale umfaßt:

- Einen Metallkopf (8) mit mehreren Bohrungen (neun für das Gas – zwei für die Bremse – sechs für die Kupplung).
- Eine Plastik-Halterung (7) mit vier Bohrungen, die zwischen dem Kopf und der Stange platziert wird.
- Eine Pedalstange (6) mit vier Bohrungen.

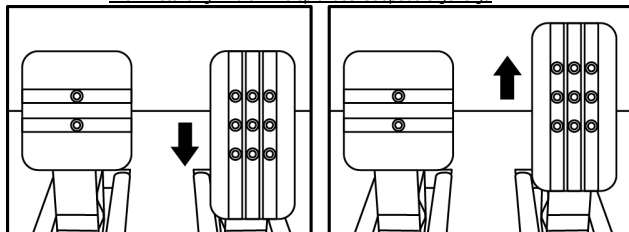


ACHTUNG: Um Kalibrierungsprobleme zu vermeiden, sollten Sie das USB-Kabel des Lenkrads immer von der PS5™-Konsole oder der PS4™-Konsole abziehen, bevor Sie irgendwelche Anpassungen an Ihrem Pedalset vornehmen.

Einstellung der HÖHE der 3 Pedale

- Benutzen Sie den beigelegte 2,5 mm Inbusschlüssel (4), um die beiden Schrauben, die den Pedalkopf aus Metall (8) und dessen Plastik-Halterung (7) halten, loszuschrauben.
- Wählen Sie Ihre bevorzugte Höhe und setzen dann die Schrauben wieder ein. Ziehen Sie diese fest, bis der Pedalkopf aus Metall (8) und dessen Plastik-Halterung (7) wieder festsitzen.

Die Einstellung wird am Beispiel des Gaspedals gezeigt:



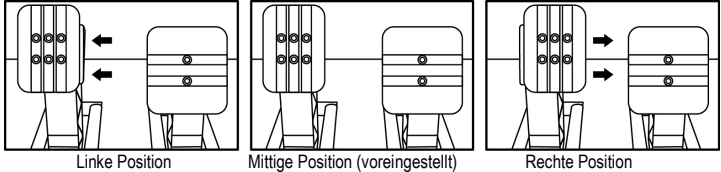
Niedrige Position

Hohe Position

Einstellung des ABSTANDS zwischen Gaspedal und Kupplungspedal

- Benutzen Sie den beigelegten 2,5 mm Inbusschlüssel (4), um die beiden Schrauben, die den Pedalkopf aus Metall (8) und dessen Plastik-Halterung (7) halten, loszuschrauben.
- Wählen Sie Ihre bevorzugte Position (mehr links, in der Mitte oder mehr nach rechts) und setzen dann die Schrauben wieder ein. Ziehen Sie diese fest, bis der Pedalkopf aus Metall (8) und dessen Plastik-Halterung (7) wieder festsitzen.

Zum Beispiel beim Kupplungspedal:



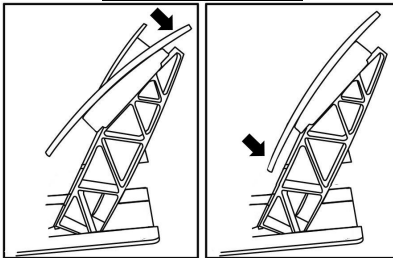
Anzahl der möglichen Abstandspositionen pro Pedal:

- Drei für das Gaspedal
- Drei für die Kupplung

Einstellung des NEIGUNGSWINKELS der 3 Pedale

- Benutzen Sie den beigelegten 2,5 mm Inbusschlüssel (4), um die beiden Schrauben, die den Pedalkopf aus Metall (8) und dessen Plastik-Halterung (7) halten, loszuschrauben.
- Drehen Sie die Plastikhalterung (7) um 180° und setzen dann die Schrauben wieder ein. Ziehen Sie diese fest, bis der Pedalkopf aus Metall (8) und dessen Plastik-Halterung (7) wieder festsitzen.

Zum Beispiel beim Gaspedal:



Weniger geneigte Position Geneigtere Position (voreingestellt)

Anzahl der möglichen Neigungspositionen pro Pedal:

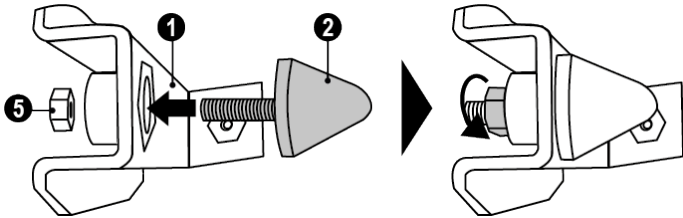
- Zwei für das Gaspedal
- Zwei für die Bremse
- Zwei für die Kupplung

Montage des konischen Stops ("CONICAL RUBBER BRAKE" Mod)

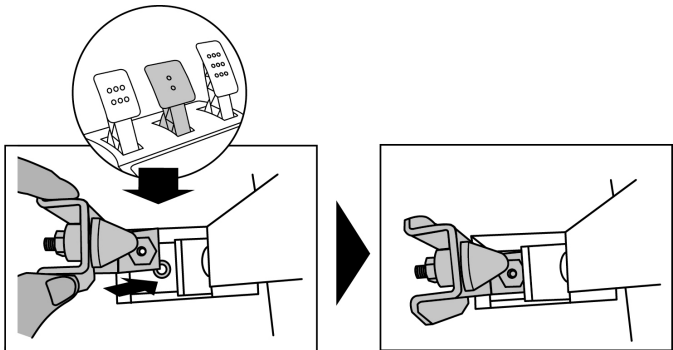
Die Modifizierung (oder "Mod") ist nicht unbedingt erforderlich und ist standardmäßig nicht montiert. Das bedeutet, daß die Bremse auch ohne diese Mod bestens funktioniert.

Diese Mod verschafft Ihnen ein anderes Gefühl und einen anderen Widerstand beim Bremsen. Es liegt bei Ihnen, diese nach Ihrem Belieben zu montieren.

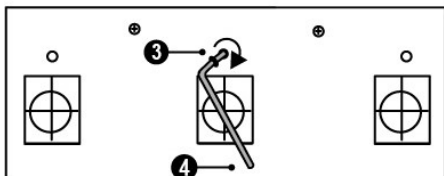
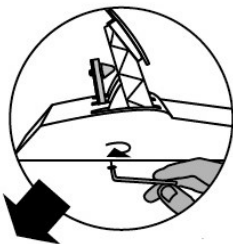
- Schrauben Sie den konischen Stop (2) in dessen Metallhalterung (1).
- Drehen Sie die Positions-Stellmutter (5) von unten auf das Gewinde des konischen Stops.



- Positionieren Sie die Einheit auf der Rückseite der Bremspedalstange.



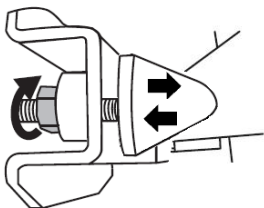
- Benutzen Sie den beigefügten 2.5 mm Inbusschlüssel (4), um die Einheit mittels der Befestigungsschraube (3) und dem kleinen Schraubgewinde an der Unterseite des Pedalsatzes zu montieren.



Die "CONICAL RUBBER BRAKE" Mod ist nun montiert!

Anpassen des HUBS und der STÄRKE des Widerstands der Bremse

Durch leichtes Losdrehen der Mutter (5) können Sie den Bremswiderstand verstärken, indem Sie den konischen Stop (2) näher an die Rückseite der Bremspedalstange herausdrehen (falls nötig, verwenden Sie einen 14-mm-Maulschlüssel oder eine Zange, um die Mutter in der gewählten Position wieder anzuziehen). Je näher der konische Stop an der Bremspedalstange sitzt, desto stärker wird der Bremswiderstand.



Bitte beachten: Wenn der konische Stop sehr nahe an der Bremspedalstange sitzt, könnten Sie Schwierigkeiten zum Erreichen des maximalen Kalibrierungswertes bekommen. Sollte dies der Fall sein:

- * Drücken Sie langsam sehr hart auf das Bremspedal, um den Maximalwert zu erreichen (falls nötig, stellen Sie sich ganz kurz auf das Pedal - nur für eine Sekunde) und geben dann das Pedal wieder frei; oder aber
- * Drehen den konischen Stop etwas ein, um mehr Abstand von der Bremspedalstange zu erhalten.

Kunden-Garantie-Information

Guillemot Corporation S.A. mit Hauptfirmensitz in Place du Granier, B.P. 97143, 35571 Chantepie, France (fortfolgend "Guillemot") garantiert Kunden weltweit, daß dieses Thrustmaster Produkt frei von Mängeln in Material und Verarbeitung für eine Gewährleistungsfrist ist, die mit der Frist für eine Mängelrüge bezüglich des Produktes übereinstimmt. In den Ländern der Europäischen Union entspricht diese einem Zeitraum von zwei (2) Jahren ab Kaufdatum des Thrustmaster Produktes. In anderen Ländern entspricht die Gewährleistungsfrist der zeitlichen Begrenzung für eine Mängelrüge bezüglich des Thrustmaster Produktes in Übereinstimmung mit anwendbarem Recht des Landes, in dem der Kunde zum Zeitpunkt des Erwerbs eines Thrustmaster Produktes wohnhaft ist. Sollte eine entsprechende Regelung in dem entsprechenden Land nicht existieren, umfasst die Gewährleistungspflicht einen Zeitraum von einem (1) Jahr ab dem originären Kaufdatum des Thrustmaster Produktes.

Sollten bei dem Produkt innerhalb der Gewährleistungsfrist Defekte auftreten, kontaktieren Sie unverzüglich den technischen Kundendienst, der die weitere Vorgehensweise anzeigt. Wurde der Defekt bestätigt, muß das Produkt an die Verkaufsstelle (oder an eine andere Stelle, je nach Maßgabe des technischen Kundendienstes) retourniert werden.

Im Rahmen dieser Garantie sollte das defekte Produkt des Kunden, je nach Entscheidung des technischen Kundendienstes, entweder ausgetauscht oder repariert werden. Sollte während der Garantiezeit das Thrustmaster Produkt einer derartigen Instandsetzung unterliegen und das Produkt während eines Zeitraums von mindestens sieben (7) Tagen nicht benutzbar sein, wird diese Zeit der restlichen Garantiezeit hinzugefügt. Diese Frist läuft ab dem Zeitpunkt, an dem der Wunsch des Verbrauchers bezüglich einer Intervention vorliegt oder ab dem Tag, an dem das fragliche Produkt zur Instandsetzung zur Verfügung steht, falls das Datum, an dem das Produkt zur Instandsetzung zur Verfügung steht, dem Datum des Antrags auf Intervention nachfolgt. Wenn nach geltendem Recht zulässig, beschränkt sich die volle Haftung von Guillemot und ihrer Tochtergesellschaften auf die Reparatur oder den Austausch des Thrustmaster Produktes (inklusive Folgeschäden). Wenn nach geltendem Recht zulässig, lehnt Guillemot alle Gewährleistungen der Marktgängigkeit oder Eignung für einen bestimmten Zweck ab.

Der Gewährleistungsanspruch verfällt: (1) Falls das Produkt modifiziert, geöffnet, verändert oder ein Schaden durch unsachgemäßen oder missbräuchlichen Gebrauch hervorgerufen wurde, sowie durch Fahrlässigkeit, einen Unfall, Verschleiß oder irgendeinem anderen Grund – aber nicht durch Material- oder Herstellungsfehler (einschließlich, aber nicht beschränkt auf, die Kombination der Thrustmaster Produkte mit ungeeigneten Elementen, insbesondere Netzteile, Akkus, Ladegeräte, oder andere Elemente, die von Guillemot für dieses Produkt nicht mitgeliefert wurden); (2) Falls das Produkt für eine andere Nutzung als zum privaten Hausgebrauch, einschließlich für professionelle oder kommerzielle Zwecke (z. B. Spielhallen, Training, Wettkämpfe) verwendet wird; (3) Im Falle der Nichteinhaltung der durch den technischen Support erteilten Anweisungen; (4) Durch Software. Die besagte Software ist Gegenstand einer speziellen Garantie; (5) Bei Verbrauchsmaterialien (Elemente, die während der Produktlebensdauer ausgetauscht werden, wie z. B. Einwegbatterien, Ohrpolster für ein Audioheadset oder für Kopfhörer); (6) Bei Accessoires (z. B. Kabel, Etuis, Taschen, Beutel, Handgelenk-Riemen); (7) Falls das Produkt in einer öffentlichen Versteigerung verkauft wurde. Diese Garantie ist nicht übertragbar.

Die Rechte des Kunden in Übereinstimmung mit anwendbarem Recht bezüglich des Verkaufs auf Konsumgüter im Land der/der Kunden/Kundin wird durch diese Garantie nicht beeinträchtigt.

Zusätzliche Gewährleistungsbestimmungen

Während der Garantiezeit bietet Guillemot grundsätzlich keine Ersatzteile an, da der technische Kundendienst der einzige autorisierte Partner zum Öffnen und/oder Instandsetzen jedweden Thrustmaster-Produkts ist (mit Ausnahme von irgendwelchen Instandsetzungsverfahren, die der Kunde nach Maßgabe des technischen Kundendienstes und durch schriftliche Instruktionen sowie der Zurverfügungstellung des/der eventuell erforderlichen Ersatzteil(s)(e) selbst in der Lage ist durchzuführen – zum Beispiel aufgrund der Einfachheit und einer nicht erforderlichen Geheimhaltung des Instandsetzungsverfahrens).

Aufgrund seiner Innovationszyklen und um sein Know-how und seine Geschäftsgeheimnisse zu schützen, bietet Guillemot grundsätzlich keine Instandsetzungs-Benachrichtigung oder Ersatzteile für alle Thrustmaster Produkte an, deren Garantiezeit abgelaufen ist.

Haftung

Wenn nach dem anwendbaren Recht zulässig, lehnen Guillemot Corporation S.A. (fortfolgend "Guillemot") und ihre Tochtergesellschaften jegliche Haftung für Schäden, die auf eine oder mehrere der folgenden Ursachen zurückzuführen sind, ab: (1) das Produkt wurde modifiziert, geöffnet oder geändert; (2) Nichtbefolgung der Montageanleitung; (3) unangebrachte Nutzung, Fahrlässigkeit, Unfall (z. B. ein Aufprall); (4) normalem Verschleiß; (5) Die Verwendung des Produkts für jedwede andere Nutzung als zum privaten Hausgebrauch, einschließlich professionelle oder kommerzielle Zwecke (z. B. Spielhallen, Training, Wettkämpfe). Wenn nach anwendbarem Recht zulässig, lehnen Guillemot und seine Niederlassungen jegliche Haftung für Schäden, die nicht auf einen Material- oder Herstellungsfehler in Bezug auf das Produkt beruhen (einschließlich, aber nicht beschränkt auf, etwaige Schäden, die direkt oder indirekt durch Software oder durch die Kombination der Thrustmaster Produkte mit ungeeigneten Elementen, insbesondere Netzteile, Akkus, Ladegeräte, oder andere Elemente, die von Guillemot für dieses Produkt nicht geliefert wurden), ab.

THRUSTMASTER®

TECHNISCHER SUPPORT

<https://support.thrustmaster.com>



COPYRIGHT

©2021 Guillemot Corporation S.A. Alle Rechte vorbehalten. Thrustmaster® ist eine eingetragene Marke von Guillemot Corporation S.A. Alle anderen Marken sind im Besitz Ihrer jeweiligen Eigentümer. Inhalte, Designs und Spezifikationen können ohne vorherige Ankündigung geändert werden und können von Land zu Land unterschiedlich sein. Fotos und Illustrationen nicht verbindlich. Entwickelt in Nordamerika und Europa. Hergestellt in China

Ausschließlich zur Verwendung mit PlayStation®5-Konsolen und PlayStation®4-Konsolen.

"PS", "PlayStation", "PSS" und "PS4" sind eingetragene Marken oder Warenzeichen von Sony Interactive Entertainment Inc. Alle Rechte vorbehalten. Alle anderen Marken sind im Besitz ihrer jeweiligen Eigentümer. Hergestellt und vertrieben unter Lizenz von Sony Interactive Entertainment LLC.

Gran Turismo und das Gran Turismo-Logo sind eingetragene Marken oder Warenzeichen von Sony Interactive Entertainment Inc.

Die TouchSense®-Technologie ist von Immersion Software Ireland Limited lizenziert. Geschützt durch eines oder mehrere der U.S.-Patente, die unter folgender Adresse zu finden sind: www.immersion.com/patent-marking.html, und andere angemeldete Patente.

HINWEISE ZUM UMWELTSCHUTZ



- * In der Europäischen Union, dem Vereinigten Königreich und der Türkei: Dieses Produkt darf nach Ende seiner Lebensdauer nicht über den Hausmüll entsorgt werden, sondern muss an einem Sammelpunkt für das Recycling von elektrischen und elektronischen Geräten abgegeben werden. Das Symbol auf dem Produkt, der Gebrauchsanleitung oder der Verpackung weist darauf hin. Die Werkstoffe sind gemäß ihrer Kennzeichnung wiederverwertbar. Mit der Wiederverwertung, der stofflichen Verwertung oder anderen Formen von Altgeräten leisten Sie einen wichtigen Beitrag zum Schutz unserer Umwelt. Bitte erfragen Sie bei der Gemeindeverwaltung die zuständige Entsorgungsstelle.

Für alle anderen Länder: Bitte beachten Sie die lokalen Entsorgungsrichtlinien/-Gesetze bezüglich elektrischen und elektronischen Equipments.

Wichtige Informationen. Die Farben und Verzierungen können abweichen. Plastikhalterungen und Aufkleber bitte vor der Nutzung des Produktes entfernen.
www.thrustmaster.com

** Nur in der EU, dem Vereinigten Königreich und der Türkei anwendbar*



T-GT II

Voor PlayStation®5-consoles en PlayStation®4-consoles

Handleiding

EN

FR

DE

NL

IT

ES

PT

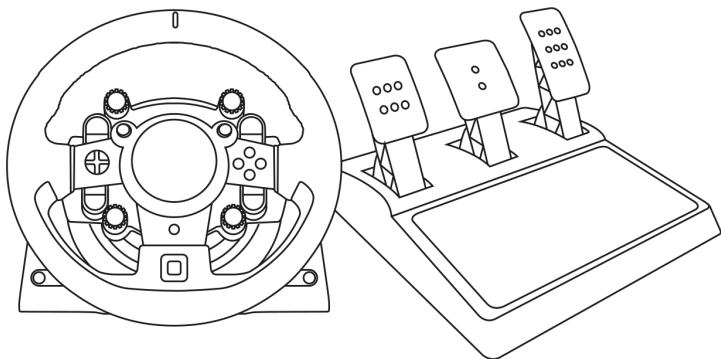
BR

RU

CS

TR

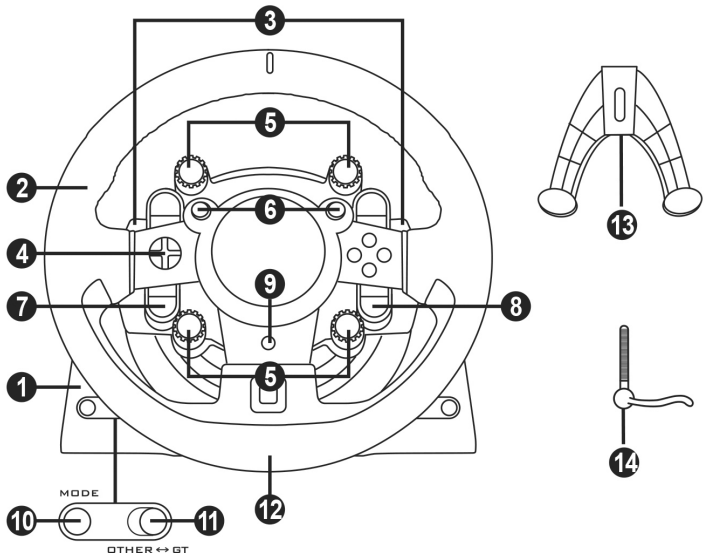
PL



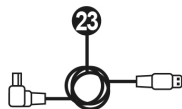
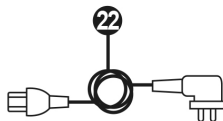
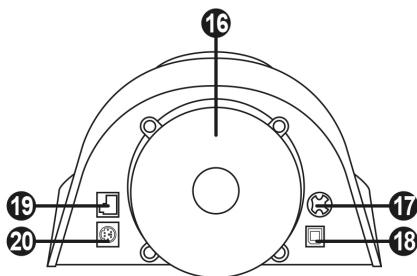
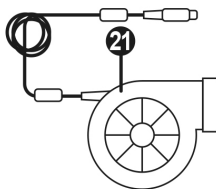
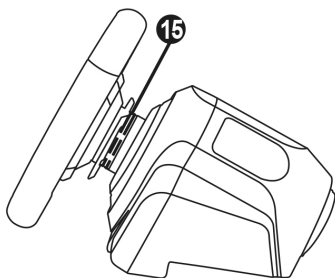
WAARSCHUWING:

Om er zeker van te zijn dat het T-GT II-racestuur correct werkt met games, moet u mogelijk de automatische updates voor de games installeren *(beschikbaar wanneer de console met internet is verbonden)*.

TECHNISCHE SPECIFICATIES



- | | |
|---|--|
| 1 T-GT II-voet | 8 OPTIONS-knop |
| 2 T-GT II-stuur | 9 PS-knop |
| 3 2 sequentiële schakelflippers (op- en terugschakelen) | 10 MODE-knop + rood/groen-indicator |
| 4 Richtingsknoppen | 11 Ingebouwde USB-schuifschakelaar: OTHER / GT |
| 5 4 draaischakelaars met druk-functie | 12 Groot schroefgat (voor bevestigingssysteem en -schroef) |
| 6 2 mini-sticks | 13 Bevestigingssysteem |
| 7 SHARE/CREATE-knop | 14 Metalen bevestigingsschroef |



- 15 Thrustmaster Quick Release
- 16 T-DFB-effecten (alleen compatibel met de PS5™-consoles en PS4™-consoles in GT-modus)
- 17 Connector voor T-TURBO-voeding
- 18 Connector voor verwijderbare USB-kabel
- 19 Connector voor pedaalset
- 20 Connector voor TH8A-pook (pook wordt apart verkocht)
- 21 T-TURBO-voeding
- 22 Kabel voor voeding
- 23 Verwijderbare USB-kabel

HET RACESTUUR AANSLUITEN OP EEN STOPCONTACT: LEES DEZE INFORMATIE AANDACHTIG DOOR



Sluit de voeding van de T-TURBO nooit aan op een stopcontact met een ander voltage dan waarvoor de voeding geschikt is. Het voltage van de T-TURBO-voeding staat vermeld op het etiket boven de vrouwwiesconnector voor de voedingskabel.



Sluit nooit een andere voeding dan de voeding van de T-TURBO aan op de T-GT II-voet, zelfs als de connector compatibel is. Sluit bijvoorbeeld nooit de voeding van het T500 RS-stuur aan op de T-GT II-voet.

WAARSCHUWINGEN

Lees, voordat u dit product gebruikt, deze handleiding zorgvuldig door en bewaar hem om eventueel op een later tijdstip te kunnen raadplegen.



Waarschuwing – Elektrische schok

- * Berg dit product op een droge plek op, uit de zon en stofvrij.
- * Trek nooit te hard aan een kabel of connector en zorg dat er geen knikken in kabels komen.
- * Mors geen vloeistoffen op het product of op een connector.
- * Veroorzaak geen kortsluiting.
- * Haal het product nooit uit elkaar, gooi het niet in het vuur en stel het niet bloot aan hoge temperaturen.
- * Gebruik geen andere netstroomkabel dan de kabel meegeleverd bij het racestuur.
- * Gebruik de netstroomkabel nooit als de kabel, de stekkers of de connectoren zijn beschadigd, gespleten of gebroken.
- * Controleer dat de netstroomkabel correct is aangesloten op het stopcontact en correct is aangesloten op de achterzijde van de voet van het racestuur.
- * Maak het stuur niet open. Er bevinden zich geen door de gebruiker te onderhouden of repareren onderdelen in. Alle reparaties dienen te worden uitgevoerd door de fabrikant, haar bevoegde vertegenwoordiger of een gekwalificeerd technicus.
- * Gebruik alleen door de fabrikant goedgekeurde hulpstukken en accessoires.
- * Als het racestuur zich vreemd gedraagt, bijvoorbeeld door rare geluiden te maken, heet te worden of te stinken, stop dan onmiddellijk met het gebruik, haal de stekker uit het stopcontact en maak alle andere kabels los.
- * Als het racestuur langere tijd niet wordt gebruikt, haal dan de stekker uit het stopcontact.
- * Het stopcontact moet in de buurt van de apparatuur zijn en moet goed bereikbaar zijn.

Informatie voor 220 V voedingsadapter

Gepubliceerde informatie	Waarde	Eenheid
Naam of handelsmerk van fabrikant, commercieel inschrijvingsnummer en adres	GUILLEMOT CORPORATION S.A. 414 196 758 Rennes Place du Granier BP 97143 35571 Chantepie Cedex Frankrijk	
Modelidentificatie	Turbo Power 220V	
Ingangsvoltage	220-240	V
Ingangswisselstroomfrequentie	50/60	Hz
Uitgangsvoltage	24,0	V AC
Uitgangsstroom	4,0	A
Uitgangsvermogen	96,0	W
Gemiddelde actieve efficiëntie	90,9	%
Efficiëntie bij lage belasting (10%)	86,8	%
Onbelast stroomverbruik	0,01	W



Ventilatieopeningen

Blokkeer nooit de ventilatieopeningen op de voet van het stuur. Aanwijzingen voor optimale ventilatie:

- * Plaats de voet van het stuur minimaal 10 cm van een muur.
- * Plaats de voet niet in een krappe ruimte.
- * Leg nooit iets over de voet heen.
- * Zorg dat de ventilatieopeningen stofvrij blijven.



Om veiligheidsredenen mogen de pedalen nooit met blote voeten worden bediend of met alleen sokken aan.

THRUSTMASTER® WIJST ELKE VERANTWOORDELIJKHEID AF IN GEVAL VAN LETSEL ALS GEVOLG VAN HET GEBRUIK VAN DE PEDAALSET ZONDER SCHOENEN TE DRAGEN.



Waarschuwing – Mogelijk letsel ten gevolge van Force Feedback en repetitieve bewegingen

Gamen met een Force Feedback-stuur kan leiden tot pijn in de gewrichten of de spieren. Hoe voorkomt u problemen:

- * Vermijd langdurige gamesessies.
- * Neem na elk uur gamen een pauze van 10 tot 15 minuten.
- * Stop met gamen bij last van vermoeidheid of pijn in handen, polsen, armen, voeten of benen, en rust een paar uur voordat u weer verder gaat met gamen.
- * Stop al het gamen als de hierboven beschreven symptomen van pijn of ongemak blijven aanhouden tijdens het gamen en raadpleeg een huisarts.
- * Houd het stuur, de voet en de pedaalsset buiten het bereik van kinderen.
- * Houd tijdens het gamen altijd twee handen aan het stuur op de juiste stand en laat het stuur nooit helemaal los.
- * Zorg er tijdens het gamen voor dat handen of vingers nooit in de buurt van of onder de pedalen of de pedaalsset komen.
- * Steek tijdens het kalibreren en gamen nooit een vinger, hand of arm door de openingen van het racestuur.
- * Zorg er voor dat de voet van het racestuur stevig vast zit, zoals beschreven in deze handleiding.

ZWAAR PRODUCT



Product mag alleen verplaatst worden door gebruikers van 16 jaar of ouder



Wees voorzichtig en laat het product niet op uzelf of iemand anders vallen!

ALTIJD



NOOIT



NOOIT



Waarschuwing – Pedaalset beknellingsgevaar bij gebruik

- * Houd de pedaalset buiten het bereik van kinderen.
- * Houd tijdens het gamen nooit uw vingers op of in de buurt van de zijkant van de pedalen.
- * Houd tijdens het gamen nooit uw vingers op of in de buurt van de achterkant van de pedalen.
- * Houd tijdens het gamen nooit uw vingers op of in de buurt van de voorkant van de pedalen.

NOOIT



NOOIT



NOOIT



Waarschuwing – Pedaalset beknellingsgevaar bij gebruik

- * Berg de pedaalset op een veilige plaats op, buiten het bereik van kinderen.

DE FIRMWARE VAN HET RACESTUUR BIJWERKEN

De firmware in de voet van het racestuur kan worden bijgewerkt naar een nieuwere verbeterde versie wanneer een dergelijke versie beschikbaar komt.

Om de huidige versie van de firmware van het racestuur weer te geven en deze bij te werken indien gewenst: ga op een PC naar <https://support.thrustmaster.com/>. Klik op **Racesturen / T-GT II**, selecteer **Firmware** en volg de instructies voor het downloaden en installeren.

Belangrijke opmerking:

Op een PC moet de USB-schuifschakelaar (11) op de voet van het racestuur altijd in de stand **OTHER** staan.

HET RACESTUUR INSTALLEREN OP DE VOET

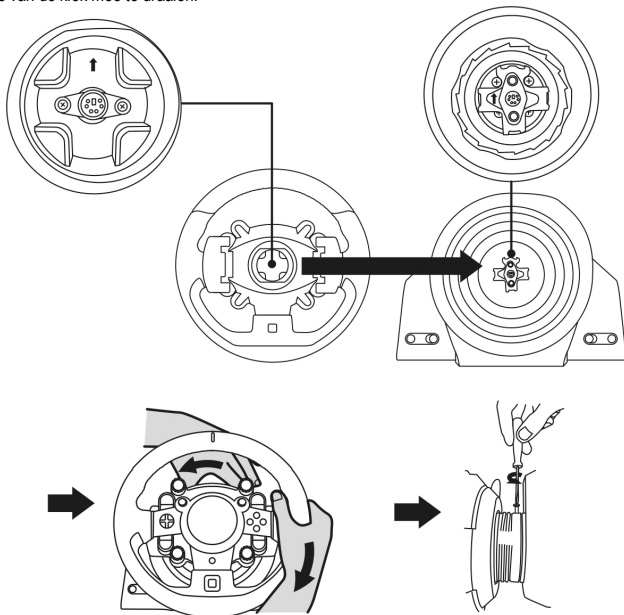
Positioneer de connectoren met behulp van de pijlen:

Connector op voet (1): pijl die omhoog wijst

Connector op stuur (2): pijl die omhoog wijst

Draai zodra de connectoren correct zijn gepositioneerd de ring van de Thrustmaster Quick Release (15) op zijn plaats tegen de wijzers van de klok in terwijl u het racestuur vasthoudt (2).

Draai vervolgens de ring zo strak mogelijk vast door deze op zijn plaats te houden en het stuur met de wijzers van de klok mee te draaien.



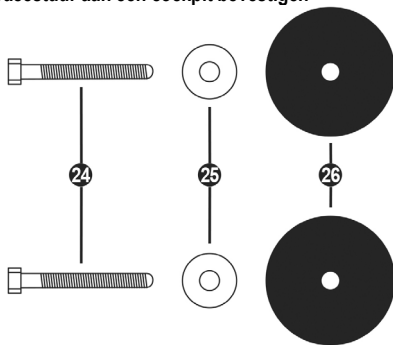
Zodra u het racestuur hebt geïnstalleerd, draait u het 180° om (kijkend naar het stuur, moet het GT-logo nu ondersteboven staan) voor toegang tot de kleine bevestigingsschroef onder op de Thrustmaster Quick Release (15). Gebruik een grote kruiskopschroevendraaier om de kleine bevestigingsschroef met de wijzers van de klok mee vast te draaien (gebruik geen overmatige kracht).



Draai bij het gebruik van een kruiskopschroevendraaier de kleine bevestigingsschroef niet te vast aan! Stop met het aandraaien van de schroef zodra u enige weerstand voelt.

HET RACESTUUR BEVESTIGEN

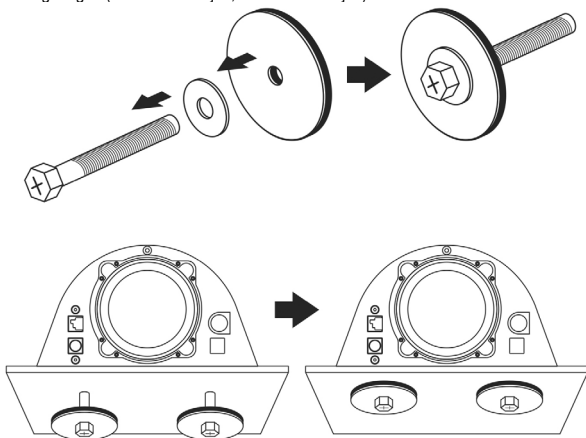
De voet van het racestuur aan een cockpit bevestigen



24 2 M6-boutjes met kruiskop

25 2 ringetjes

26 2 montageringen (metalen voorzijde, rubber achterzijde)



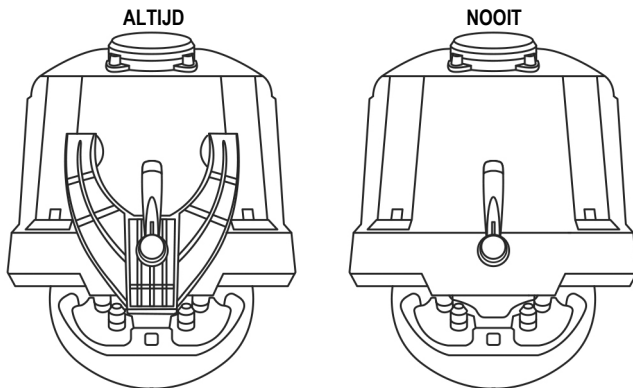
1. Steek de M6-boutjes (24) eerst door de ringetjes (25) en vervolgens door de montageringen met de rubber zijde naar achter wijzend (26).
2. Plaats de voet van het racestuur op het cockpitpaneel.
3. Gebruik een 10 mm steeksleutel of een kruiskopschroevendraaier om de boutjes met de ringen van de cockpitbevestigingskit vast te schroeven op het cockpitpaneel en in de 2 kleine schroefdraden onderop het stuur.

LET OP:

- Verwijder nooit het schuimrubber aan de onderkant van de voet van het racestuur. Dit schuimrubber versterkt de werking van het T-DFB-systeem wanneer het stuur is aangesloten.
- De rubber zijdes van de montageringen (26) moeten absoluut richting cockpitpaneel wijzen = monteer de montageringen nooit verkeerd om!

Het racestuur op een tafel of werkblad bevestigen

1. Plaats het racestuur op een tafel of een ander horizontaal, vlak en stabiel oppervlak.
2. Plaats de bevestigingsschroef (14) in het bevestigingssysteem (13) en draai de schroef aan (tegen de klok in) zodat deze vast komt te zitten in het schroefgat (12) onder het racestuur en het stuur volledig stabiel is.



WAARSCHUWING:

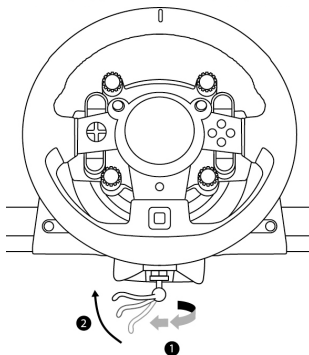
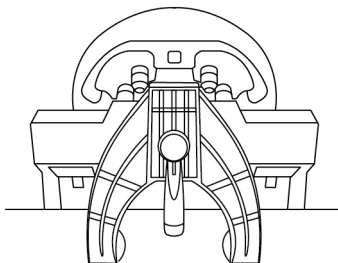
- Draai de schroef nooit in het racestuur zonder het bevestigingssysteem! *(Daarmee kunt u het racestuur beschadigen).*
- Verwijder nooit het schuimrubber aan de onderkant van de voet van het racestuur. Dit schuimrubber versterkt de werking van het T-DFB-systeem wanneer het stuur is aangesloten.

**BEVESTIGEN /
VERWIJDEREN**

RICHTING

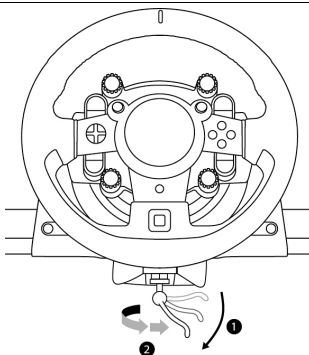
Vastdraaien:

*Draai de schroef
linksom vast (tegen
de wijzers van de
klok in).*



Losdraaien:

*Draai de schroef
rechtsom los (met de
wijzers van de klok
mee).*



HET RACESTUUR GEREED MAKEN VOOR DE PS5™-CONSOLES EN PS4™-CONSOLES

1. Sluit de pedaalsset aan op de connector (19) aan de achterkant van de voet van het racestuur.
2. Sluit de T-TURBO-voeding (21) aan op de connector (17).
3. Sluit de kabel (22) van de voeding aan op de T-TURBO-voeding, en sluit de kabel aan op een stopcontact met het juiste voltage.
4. Zet de USB-schuifschakelaar (11) in de stand "OTHER" of "GT", afhankelijk van de gebruikte PS5™-game of PS4™-game.
5. Sluit de losse USB-kabel (23) aan op de connector (18) en op een van de USB-poorten op de PS5™-console of PS4™-console.
6. Zodra uw PS5™-console of PS4™-console stroom krijgt, kalibreert het stuur zichzelf.
7. Druk op de PS-knop (9) op het racestuur en meld u aan op uw PlayStation™Network-account zodat uw stuur correct gaat werken."

Nu kan er gespeeld worden!

Belangrijke opmerkingen:

- Om uw stuur correct te laten werken moet u eerst op de PS-knop (9) op het stuur drukken. Vergeet dit niet.
- De USB-schuifschakelaar (11) op de voet van het racestuur moet altijd op de correcte stand ("OTHER" of "GT") worden gezet voordat de USB-kabel van het stuur op de console wordt aangesloten.
Als u de stand van de schuifschakelaar wilt veranderen, koppelt u de USB-kabel los, zet u de schakelaar in de gewenste stand en sluit u de USB-kabel weer aan op de console.
- De lijst met PlayStation®5-games en PlayStation®4-games die compatibel zijn met de T-GT II en de voor die game benodigde stand van de USB-schuifschakelaar (11), is beschikbaar in de sectie Racesturen/T-GT II op <https://support.thrustmaster.com>. Deze lijst wordt regelmatig bijgewerkt.

USB-SCHUIFSCHAKELAAR (11) IN DE STAND "OTHER" VOOR PS5™-GAMES EN PS4™-GAMES MET UITZONDERING VAN GT SPORT

Als de USB-schuifschakelaar (11) in de stand "OTHER" staat:

* Het Force Feedback-systeem werkt, maar het T-DFB-effectensysteem (16) niet.

USB-SCHUIFSCHAKELAAR (11) IN DE STAND "GT" VOOR DE GAME GT SPORT EN TOEKOMSTIGE GT-GAMES

Als de USB-schuifschakelaar (11) in de stand "OTHER" staat:

* Het Force Feedback-systeem en het T-DFB-effectensysteem (16) werken beide en tegelijkertijd. In de opties van de GT Sport-game kan de intensiteit van elk systeem apart worden ingesteld.

HET RACESTUUR INSTALLEREN OP UW PC*

*PC-compatibiliteit wordt niet ondersteund door Sony Interactive Entertainment Europe en Sony Interactive Entertainment LLC.

Voor meer informatie, ga naar <https://support.thrustmaster.com/>.

HET RACESTUUR EN DE PEDAAALSET AUTOMATISCH KALIBREREN

Het stuur kalibreert zichzelf automatisch wanneer u het stuur op een stopcontact aansluit en de USB-connector van het stuur op de console aansluit.

Tijdens deze kalibratie zal het stuur snel 1080 graden linksom en rechtsom draaien voordat het stopt in de middenstand.



WAARSCHUWING:

Tijdens het automatisch kalibreren mag u het stuur niet aanraken.

(Raakt u het stuur toch aan, dan kan dit leiden tot een onjuiste kalibratie en/of persoonlijk letsel).

AUTOMATISCH KALIBREREN VAN DE PEDAAALSET

Sluit de pedaalsset nooit aan op de voet van het racestuur of koppel deze nooit los van de voet terwijl het is aangesloten op de console of tijdens het gamen. Doet u dit toch, dan kan dat leiden tot een onjuiste kalibratie.

Sluit altijd eerst de pedaalsset aan voordat u het racestuur aansluit op de console.

Nadat de kalibratie van het racestuur gereed is en de game gestart is, zijn de pedalen automatisch gekalibreerd na een paar keer intrappen.



WAARSCHUWING:

Trap de pedalen nooit in

tijdens het zelfkalibreren van het stuur of tijdens het laden van de game.

(Dit kan leiden tot een onjuiste kalibratie).

Als het racestuur en de pedaalsset niet goed werken of niet goed gekalibreerd lijken te zijn:

zet de console uit en koppel alle aansluitingen van het stuur los. Sluit daarna alle kabels weer aan, inclusief de voedingskabel en de pedaalsset, en herstart de console en de game.

INTERN KOELSYSTEEM VOOR DE VOET VAN HET STUUR

De interne koeling van de voet van het stuur

- begint te werken wanneer het stuur wordt aan gezet.
- schakelt uit na een paar minuten inactiviteit wanneer de interne temperatuur tot een bepaald laag niveau is gezakt.
- schakelt weer in wanneer u het stuur gebruikt.

MODE-KNOP EN INDICATOR (10)

MODE-knop voor de pedaalsset

Op de pedaalsset is het mogelijk de functie van het koppelingspedaal en het gaspedaal te verwisselen.

Dit doet u door de MODE-knop (10) twee seconden ingedrukt te houden.

De door u ingestelde functie van de pedalen wordt opgeslagen in het interne geheugen van het racestuur.

GASPEDAAL EN KOPPELINGSPEDAAL	Kleur van de MODE-indicator (10)
NORMAAL	ROOD
VERWISSELD	GROEN

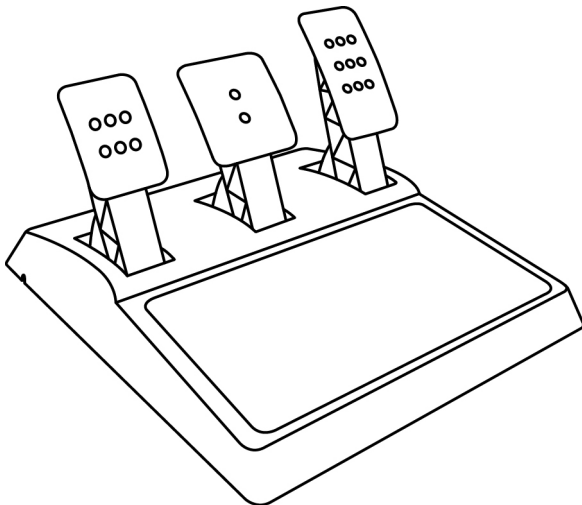
Meer functies van de MODE-knop

Meer informatie over de MODE-knop en de indicator vindt u op <https://support.thrustmaster.com/>. Klik op **Racesturen / T-GT II** en selecteer vervolgens **Handleiding** of **FAQ**.

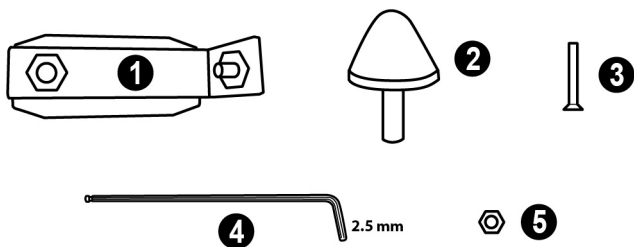
HELPBESTANDEN EN FAQs

Ga naar <https://support.thrustmaster.com/>. Klik op **Racesturen / T-GT II** en selecteer vervolgens **Handleiding** of **FAQ**.

T-GT II EDITION-PEDAALSET

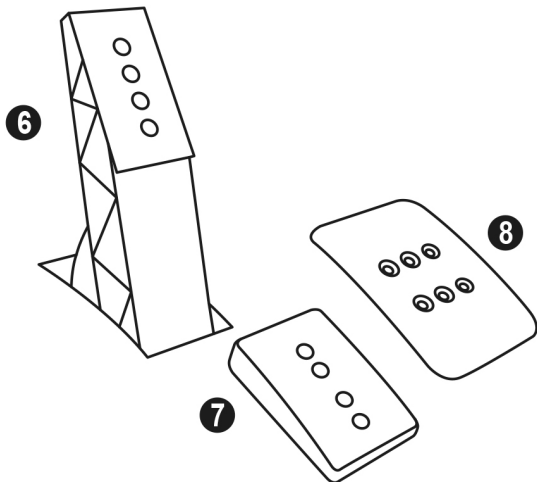


TECHNISCHE KENMERKEN



- 1 Metalen steun voor conische begrenzer
(niet geïnstalleerd bij levering)
- 2 Conische begrenzer
- 3 Bevestigingsbout voor metalen steun

- 4 2,5 mm inbussleutel (meegeleverd)
- 5 Afstelmoer voor conische begrenzer



- 6 Metaal pedaalalarm
- 7 Kunststof pedaalsteun

- 8 Metalen pedaal

WAARSCHUWING

Lees, voordat u dit product gebruikt, dit document zorgvuldig door en bewaar het om eventueel op een later tijdstip te kunnen raadplegen.



Voor uw en andermans veiligheid mag de pedaalsset nooit worden gebruikt op blote voeten of met alleen sokken aan.

THRUSTMASTER® WIJST ELKE VERANTWOORDELIJKHEID AF IN GEVAL VAN LETSEL ALS GEVOLG VAN HET GEBRUIK VAN DE PEDAAALSET ZONDER SCHOENEN AAN.



Waarschuwing – Pedaalsset beknellingsgevaar tijdens gamen

- * Houd de pedaalsset buiten het bereik van kinderen.
- * Zorg tijdens gebruik dat vingers of duimen nooit in de buurt van of op de zijanten van de pedalen komen.
- * Zorg tijdens gebruik dat vingers of duimen nooit in de buurt van of op de achterzijde van de pedalen komen.
- * Zorg tijdens gebruik dat vingers of duimen nooit in de buurt van of op de voorzijde van de pedalen komen.

NOOIT



NOOIT



NOOIT



AUTOMATISCHE KALIBRATIE VAN PEDALEN



BELANGRIJK:

- Om kalibratieproblemen te vermijden, mag u de pedaalsset nooit aansluiten op of loskoppelen van de voet van het stuur wanneer het stuur is verbonden met een PS5™-console of PS4™-console, of een PC, of tijdens het gamen.
- Sluit de pedaalsset altijd eerst aan op het stuur voordat u het stuur aansluit op een PS5™-console of PS4™-console, of een PC.
- Zodra het stuur zichzelf heeft gekalibreerd en de game is gestart, kalibreren de pedalen zichzelf automatisch nadat ze enkele malen zijn ingetrapt.
- Om kalibratieproblemen te vermijden, mag u nooit op de pedalen trappen wanneer het stuur bezig is met zelfkalibratie of wanneer de game aan het opstarten is,
- Als de pedalen niet correct werken of niet correct gekalibreerd lijken te zijn, schakel dan de console uit, koppel het stuur volledig los, sluit alle kabels weer aan (inclusief de voedingskabel en de pedaalssetkabel) en start de console en de game opnieuw op.

DE PEDAALSET AAN EEN COCKPIT BEVESTIGEN

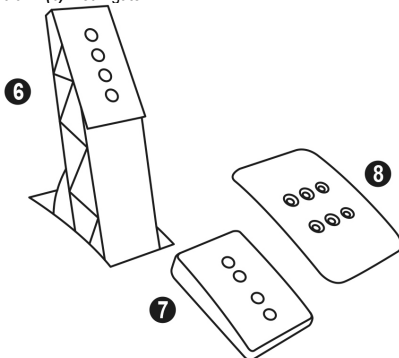
- Bevestig de pedaalsset met behulp van de kleine schroefgaten onderop de pedaalsset.
- Schroef twee M6-boutjes (niet meegeleverd) in de pedaalsteunplaat van de cockpit en in de twee kleine schroefgaten onderop de pedaalsset.

Belangrijk: om beschadiging van de interne onderdelen van de pedaalsset te voorkomen, mogen de twee M6-boutjes niet langer zijn dan de dikte van de pedaalsteunplaat van de cockpit plus een extra 10 mm.

DE PEDAAALSET VERSTELLEN

Elk van de drie pedalen bestaat uit:

- Een metalen pedaal (8) met een aantal gaatjes (negen voor het gaspedaal, twee voor het rempedaal en zes voor het koppelingspedaal).
- Een kunststof tussenstuk (7) (wordt geplaatst tussen het pedaal en de arm van het pedaal) met vier gaatjes.
- Een metalen pedaalarm (6) met 4 gaten.

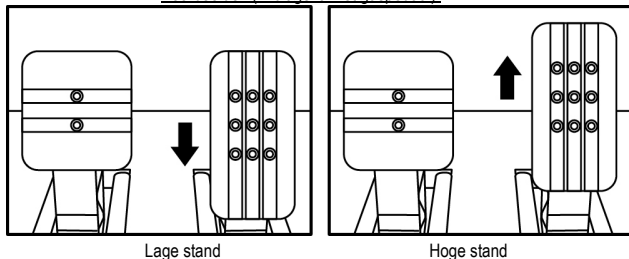


LET OP: Om kalibratieproblemen te vermijden, moet u altijd de USB-kabel tussen stuur en de PS5™-console of PS4™-console loskoppelen voordat u de pedaalset verstelt.

De HOOGTE van de 3 pedalen afstellen

- Draai met behulp van de meegeleverde 2,5 mm inbussleutel (4) de twee boutjes los waarmee het pedaal (8) en de steun (7) vast zitten.
- Kies de gewenste pedaalhoogte en zet de twee boutjes weer vast waarmee het pedaal (8) en de steun (7) vast zitten.

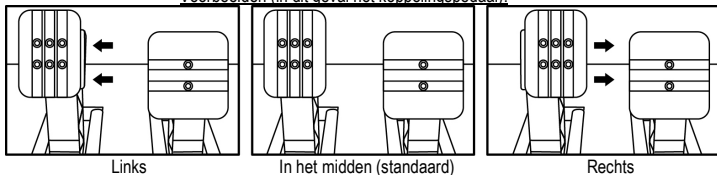
Voorbeelden (in dit geval het gaspedaal):



De TUSSENRUIMTE van het gaspedaal en het koppelingspedaal afstellen

- Draai met behulp van de meegeleverde 2,5 mm inbussleutel (4) de twee boutjes los waarmee het pedaal (8) en de steun (7) vast zitten.
- Kies de gewenste pedaalstand (naar links, in het midden of naar rechts) en zet de twee boutjes weer vast waarmee het pedaal (8) en de steun (7) vast zitten.

Voorbeelden (in dit geval het koppelingspedaal):



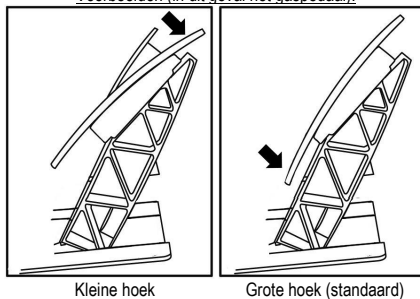
Aantal mogelijke standen van een pedaal:

- Drie voor gaspedaal
- Drie voor koppelingspedaal

De HOEK van de 3 pedalen afstellen

- Draai met behulp van de meegeleverde 2,5 mm inbussleutel (4) de twee boutjes los waarmee het pedaal (8) en de steun (7) vast zitten.
- Draai de kunststof steun (7) 180° om en zet de twee boutjes weer vast waarmee het pedaal (8) en de steun (7) vast zitten.

Voorbeelden (in dit geval het gaspedaal):



Aantal mogelijke hoekstanden van een pedaal:

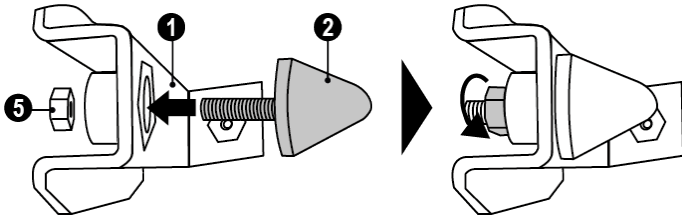
- Twee voor gaspedaal
- Twee voor rempedaal
- Twee voor koppelingspedaal

De conische begrenzer monteren ("CONICAL RUBBER BRAKE" mod)

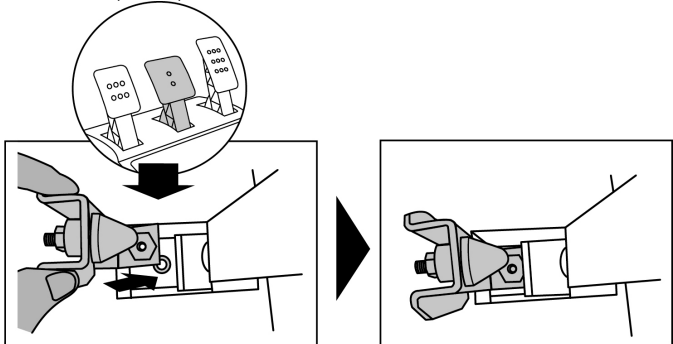
Deze modificatie (of "mod") is niet noodzakelijk en is af fabriek niet gemonteerd. Dit betekent dat het rempedaal ook perfect functioneert als deze mod niet is gemonteerd.

*Als u deze mod wel monteert, krijgt u een ander gevoel in het rempedaal.
Het wel of niet monteren van deze begrenzer is dus een kwestie van voorkeur.*

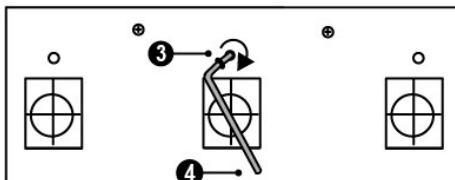
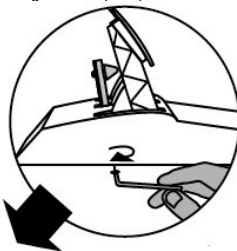
- Schroef de conische begrenzer (2) op de metalen steun (1).
- Schroef de afstelmoer (5) op het schroefgat van de conische begrenzer.



- Plaats de unit achterop de rempedaalarm.



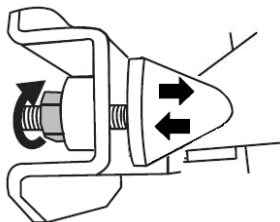
- Gebruik de meegeleverde 2,5 mm inbussleutel (4) om de unit te monteren met het bevestigingsboutje (3) en het kleine centrale schroefgat onderop de pedaalset.



De "CONICAL RUBBER BRAKE" mod is nu gemonteerd

De SLAG en WEERSTAND van het rempedaal afstellen

Als u meer weerstand in het rempedaal wilt, draait u de moer (5) iets los en plaatst u de begrenzer (2) iets dichterbij het rempedaal (gebruik indien nodig een 14 mm steek- of ringsleutel, of een tang om de moer opnieuw vast te draaien en de gewenste stand te fixeren). Hoe dichterbij de begrenzer onder het rempedaal ligt, hoe meer weerstand u voelt bij het remmen.



Opmerking: als u de begrenzer heel dicht onder het rempedaal afstelt, wordt het mogelijk lastig om de maximale kalibratiewaarde te bereiken. Mocht dit het geval zijn:

- * Trap het rempedaal langzaam maar heel stevig in om de maximale waarde te bereiken (ga indien nodig even heel kort (een seconde) op het pedaal staan) en laat dan het pedaal weer omhoog komen, of
- * Zet de conische begrenzer iets verder weg van de arm van het rempedaal.

Informatie met betrekking tot kopersgarantie

Wereldwijd garandeert Guillemot Corporation S.A., het statutair adres gevestigd aan de Place du Granier, B.P. 97143, 35571 Chantepie, Frankrijk, (hierna te noemen "Guillemot") aan de koper dat dit Thrustmaster-product vrij zal zijn van materiaal- en fabricagefouten gedurende een garantieperiode gelijk aan de tijd maximaal vereist om een restitutie/vervanging voor dit product te claimen. In landen van de Europese Unie komt dit overeen met een periode van twee (2) jaar vanaf het moment van levering van het Thrustmaster-product. In andere landen komt de garantieperiode overeen met de tijd maximaal vereist om een restitutie/vervanging voor dit Thrustmaster-product te claimen zoals wettelijk is vastgelegd in het land waarin de koper woonachtig was op de datum van aankoop van het Thrustmaster-product. Indien een dergelijk claimrecht niet wettelijk is vastgelegd in het betreffende land, geldt een garantieperiode van één (1) jaar vanaf datum aankoop van het Thrustmaster-product.

Indien u in de garantieperiode een defect meent te constateren aan dit product, neem dan onmiddellijk contact op met Technical Support die u zal informeren over de te volgen procedure. Als het defect wordt bevestigd, dient het product te worden geretourneerd naar de plaats van aankoop (of een andere locatie die wordt opgegeven door Technical Support). Binnen het gestelde van deze garantie wordt het defecte product van de koper gerepareerd of vervangen, zulks ter beoordeling van Technical Support. Indien het Thrustmaster-product tijdens de garantieperiode is onderworpen aan een dergelijk herstel, wordt elke periode van ten minste zeven (7) dagen waarin het product niet in gebruik is, opgeteld bij de resterende garantieperiode (deze periode loopt vanaf de datum van verzoek van de consument voor interventie of vanaf de datum waarop het product in kwestie beschikbaar is gesteld voor herstel als de datum waarop het product ter beschikking wordt gesteld voor herstel later is dan de datum van het verzoek om interventie). Indien toegestaan door van toepassing zijnde wetgeving, beperkt de volledige aansprakelijkheid van Guillemot en haar dochterondernemingen (inclusief de aansprakelijkheid voor vervolgschade) zich tot het repareren of vervangen van het Thrustmaster-product. Indien toegestaan door van toepassing zijnde wetgeving, wijst Guillemot elke garantie af met betrekking tot verhandelbaarheid of geschiktheid voor enig doel.

Deze garantie is niet van kracht: (1) indien het product aangepast, geopend of gewijzigd is, of beschadigd is ten gevolge van oneigenlijk of onvoorzichtig gebruik, verwaarlozing, een ongeluk, normale slijtage, of enige andere oorzaak die niet gerelateerd is aan een materiaal- of fabricagefout (inclusief maar niet beperkt tot het combineren van het Thrustmaster-product met enig ongeschikt element waaronder in het bijzonder voedingsadapters, oplaadbare batterijen, opladers of enig ander element niet geleverd door Guillemot voor dit product); (2) als het product is gebruikt voor enig ander doel dan thuisgebruik, zoals maar niet exclusief een professioneel of commercieel doel (bijvoorbeeld game rooms, training, wedstrijden); (3) indien u zich niet houdt aan de instructies zoals verstrekt door Technical Support; (4) op software die onder een specifieke garantie valt; (5) op verbruiksartikelen (elementen die tijdens de levensduur van het product worden vervangen zoals bijvoorbeeld batterijen of pads van een headset of koptelefoon); (6) op accessoires (zoals bijvoorbeeld kabels, behuizingen, hoesjes, etuis, draagtassen of polsbandjes); (7) indien het product werd verkocht op een openbare veiling.

Deze garantie is niet overdraagbaar.

De wettelijke rechten van de koper die in zijn/haar land van toepassing zijn op de verkoop van consumentenproducten worden op generlei wijze door deze garantie beperkt.

Aanvullende garantiebepalingen

Gedurende de garantieperiode zal Guillemot in principe nooit reserveonderdelen leveren omdat Technical Support de enige partij is die bevoegd is een Thrustmaster-product te openen en/of te herstellen (met uitzondering van een herstelprocedure die de klant door Technical Support gevraagd wordt uit te voeren met behulp van schriftelijke instructies – omdat deze procedure bijvoorbeeld eenvoudig is en het herstelproces niet vertrouwelijk is – en door het verstrekken aan de consument van de benodigde onderdelen, indien van toepassing).

Gezien de innovatiecycli en om haar knowhow en handelsgeheimen te beschermen, zal Guillemot in principe nooit een herstelbeschrijving of reserveonderdelen verstrekken voor een Thrustmaster-product waarvan de garantieperiode is verstreken.

Aansprakelijkheid

Indien toegestaan door van toepassing zijnde wetgeving, wijzen Guillemot Corporation S.A. (hierna te noemen "Guillemot") en haar dochterondernemingen alle aansprakelijkheid af voor enige schade veroorzaakt door één van de volgende oorzaken: (1) indien het product aangepast, geopend of gewijzigd is; (2) de montage-instructies niet zijn opgevolgd; (3) oneigenlijk of onvoorzichtig gebruik, verwaarlozing, een ongeluk (bijvoorbeeld stoten); (4) normale slijtage; (5) het gebruik van het product voor enig ander doel dan thuisgebruik, zoals maar niet exclusief een professioneel of commercieel doel (bijvoorbeeld game-rooms, training, wedstrijden). Indien toegestaan onder van toepassing zijnde wetgeving, wijzen Guillemot en haar dochterondernemingen alle aansprakelijkheid af voor enige schade aan dit product niet gerelateerd aan een materiaal- of fabricagefout (inclusief maar niet beperkt tot enige schade direct of indirect veroorzaakt door enige software, of door het combineren van het Thrustmaster-product met enig ongeschikt element waaronder in het bijzonder voedingsadapters, oplaadbare batterijen, opladers of enig ander element niet geleverd door Guillemot voor dit product).

THRUSTMASTER®

TECHNISCHE ONDERSTEUNING

<https://support.thrustmaster.com>



COPYRIGHT

©2021 Guillemot Corporation S.A.. Alle rechten voorbehouden. Thrustmaster® is een geregistreerd handelsmerk van Guillemot Corporation S.A.. Gefabriceerd en gedistribueerd door Guillemot Corporation S.A.. Alle andere handelsmerken en merknamen worden hierbij erkend en zijn eigendom van de respectieve eigenaren. Inhoud, ontwerp en specificaties kunnen zonder voorafgaande kennisgeving worden gewijzigd en kunnen per land verschillen. Aan foto's en illustraties kunnen geen rechten worden ontleend. Ontworpen in Europa en Noord-Amerika. Gefabriceerd in China.

Voor exclusief gebruik met de PlayStation®5-consoles en PlayStation®4-consoles.

"PS", "PlayStation", "PS5", en "PS4" zijn handelsmerken of geregistreerde handelsmerken van Sony Interactive Entertainment Inc. Alle rechten voorbehouden. Alle andere handelsmerken zijn het eigendom van hun respectieve eigenaren. Geproduceerd en gedistribueerd door Guillemot Corporation S.A. onder licentie van Sony Interactive Entertainment LLC.

Gran Turismo en het Gran Turismo-logo zijn handelsmerken of geregistreerde handelsmerken van Sony Interactive Entertainment Inc.

TouchSense®-technologie is gelicentieerd van Immersion Software Ireland Limited. Beschermd door een of meer Amerikaanse patenten zoals vermeld op www.immersion.com/patent-marking.html. Andere patenten aangevraagd.

AANBEVELINGEN VOOR DE BESCHERMING VAN HET MILIEU



* In de Europese Unie, het Verenigd Koninkrijk en Turkije: gooi dit product na het einde van de levensduur niet weg met het normale afval, maar breng het naar het door uw gemeente aangewezen inzamelpunt voor elektrische en/of computerapparatuur.

Ter herinnering is hiertoe op het product, de gebruikshandleiding of de verpakking een symbool aangebracht.

De meeste materialen kunnen worden gerecycled. Door recycling en andere methoden voor verantwoorde verwerking van afgedankte elektrische en elektronische apparaten kunt u een belangrijke bijdrage leveren aan de bescherming van het milieu.

Neem contact op met uw gemeente voor informatie over een inzamelpunt bij u in de buurt.

In alle andere landen: houd u aan de plaatselijk milieuwetgeving voor elektrische en elektronische apparaten.

Bewaar deze informatie. De kleuren en bestickering kunnen variëren.

Plastic bevestigingen en hechtmaterialen moeten van het product worden verwijderd voordat het product wordt gebruikt.

www.thrustmaster.com

**Alleen van toepassing in de EU, het VK en Turkije*



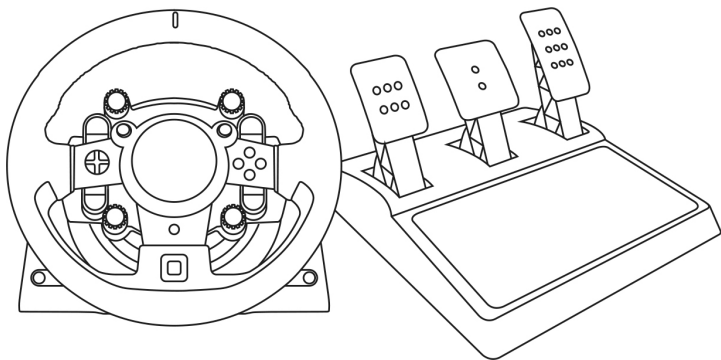
immersion.



T-GT II

Per console PlayStation®5 e console PlayStation®4

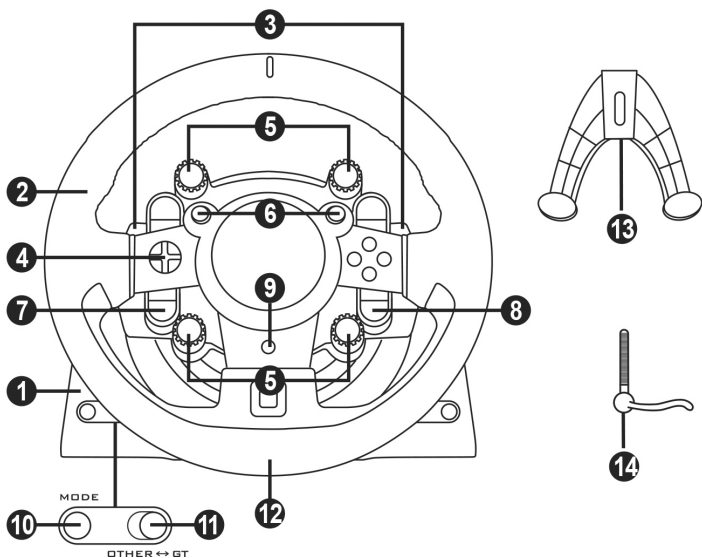
Manuale d'uso



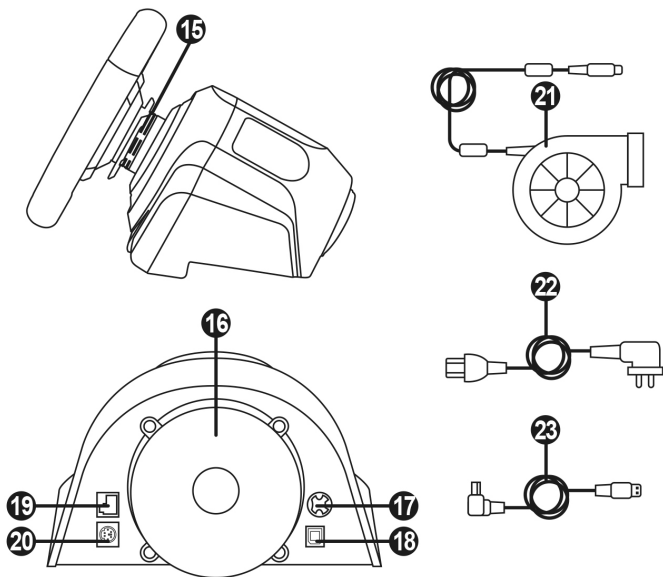
ATTENZIONE:

Per far sì che il tuo T-GT II funzioni correttamente con i giochi, potrebbe rendersi necessario installare gli aggiornamenti automatici dei giochi (disponibili nel momento in cui la tua console viene collegata a internet).

CARATTERISTICHE TECNICHE



- | | | | |
|---|---|----|--|
| 1 | Base T-GT II | 8 | Pulsante OPTIONS |
| 2 | Volante T-GT II | 9 | Pulsante PS |
| 3 | 2 leve del cambio sequenziali (up & down) | 10 | Pulsante MODE + indicatore luminoso rosso/verde |
| 4 | Pulsanti direzionali | 11 | Selettore scorrevole USB integrato: OTHER / GT |
| 5 | 4 selettori rotanti con funzione Push | 12 | Ampio foro filettato (per sistema di fissaggio e vite di blocco) |
| 6 | 2 mini-stick | 13 | Sistema di fissaggio |
| 7 | Pulsante SHARE/CREATE | 14 | Vite di fissaggio in metallo |



- 15 Thrustmaster Quick Release
- 16 Sistema di effetti T-DFB (*compatibile solamente con le console PS5™ e le console PS4™ in modalità GT*)
- 17 Connettore per alimentatore T-TURBO
- 18 Connettore per cavo USB rimuovibile
- 19 Connettore per pedaliera
- 20 Connettore per cambio TH8A (*cambio venduto separatamente*)
- 21 Alimentatore T-TURBO
- 22 Cavo alimentatore
- 23 Cavo USB rimuovibile

**PER COLLEGARE IL VOLANTE AD UNA PRESA ELETTRICA:
LEGGERE CON ATTENZIONE!**



Non collegare mai l'alimentatore T-TURBO ad una presa di corrente con un diverso voltaggio! Il voltaggio dell'alimentatore T-TURBO è riportato sull'etichetta presente sopra il connettore femmina per il cavo di alimentazione.



Non collegare mai alla base T-GT II un alimentatore diverso dal T-TURBO, anche se l'alimentatore fosse compatibile! Ad esempio, non collegare mai alla base T-GT II l'alimentatore del volante T500 RS.

ATTENZIONE

Prima di utilizzare questo prodotto, ti invitiamo a leggere con attenzione il presente documento e a conservare quest'ultimo in caso avessi bisogno di consultarlo nuovamente.



Attenzione – Shock elettrico

- * Conserva questo prodotto in un luogo asciutto e non esporlo alla polvere o alla luce del sole.
- * Non torcere e non tirare i connettori e i cavi.
- * Non versare liquidi sul prodotto o sui relativi connettori.
- * Non cortocircuitare il prodotto.
- * Non smontare questo prodotto; non gettarlo nel fuoco e non esporlo alle alte temperature.
- * Non usare un altro cavo di alimentazione oltre a quello fornito assieme al tuo volante.
- * Non utilizzare il cavo di alimentazione qualora quest'ultimo o i connettori dovessero risultare danneggiati, divisi o rotti.
- * Assicurati che il cavo di alimentazione si ben inserita in una presa di corrente e correttamente connesso al connettore presente nella parte posteriore della base del volante.
- * Non aprire il volante: all'interno non vi sono componenti utili all'utente. Qualunque riparazione dovrà essere effettuata dal produttore, da un suo rappresentante autorizzato o da un tecnico qualificato.
- * Usa unicamente sistemi di fissaggio/ accessori indicati dal produttore.
- * Qualora il volante non dovesse funzionare correttamente (se dovesse generare un qualunque suono inusuale, calore o odori), smetti immediatamente di utilizzarlo, scollega il cavo di alimentazione dal relativo connettore e scollega tutti gli altri cavi.
- * Se pensi di non dover utilizzare il volante per un lungo periodo di tempo, scollega l'alimentatore dalla presa di corrente.
- * La presa elettrica deve trovarsi nei pressi delle apparecchiature e deve risultare facilmente accessibile.

Informazioni relative all'alimentatore da 220V

Informazione pubblicata	Valore	Unità
Nome del produttore o marchio, numero di registrazione commerciale e indirizzo	GUILLEMOT CORPORATION S.A. 414 196 758 Rennes Place du Granier BP 97143 35571 Chantepie Cedex Francia	
Identificatore del modello	Turbo Power 220V	
Voltaggio in ingresso	220 - 240	V
Frequenza AC in ingresso	50 / 60	Hz
Voltaggio in uscita	24,0	V AC
Uscita attuale	4,0	A
Potenza in uscita	96,0	W
Efficienza attiva media	90,9	%
Efficienza a basso carico (10 %)	86,8	%
Consumo di potenza senza carico	0,01	W



Prese d'aria

Accertati di non ostruire nessuna delle prese d'aria presenti nella base del volante. per una ventilazione ottimale, attieniti alle seguenti indicazioni:

- * Colloca la base ad almeno 10cm di distanza dal muro.
- * Non collocare la base in uno spazio angusto.
- * Non coprire la base.
- * Non lasciare che la polvere penetri nella prese d'aria.



Per motivi di sicurezza, non utilizzare mai la pedaliera a piedi nudi o indossando solamente i calzini.

THRUSTMASTER® DECLINA OGNI RESPONSABILITÀ IN CASO DI INFORTUNI DERIVANTI DALL'USO DELLA PEDALIERA SENZA SCARPE.



Attenzione – Infortuni derivanti dal force feedback e dai movimenti ripetuti

Giocare con un volante force-feedback potrebbe causare dolori muscolari o articolari. Per evitare qualsiasi problema:

- * Evita di giocare per lunghi periodi di tempo.
- * Prenditi 10-15 minuti di pausa per ogni ora di gioco.
- * Qualora dovessi avvertire fatica o dolore a mani, polsi, braccia, piedi o gambe, smetti di giocare e riposati per alcune ore prima di ricominciare a giocare.
- * Qualora i sintomi o il dolore sopradescritti dovessero persistere anche quando ricominci a giocare, smetti di giocare e consulta il tuo medico.
- * Tenere lontano dalla portata dei bambini.
- * Nei giochi, mantieni sempre le mani sul volante in posizione corretta, senza mai lasciarlo andare completamente.
- * Mentre giochi, non infilare mai le tue mani o le tue dita sotto ai pedali o in una qualunque posizione nei pressi della pedaliera.
- * Durante la calibrazione e mentre giochi, non infilare mai la tua mano o il tuo braccio attraverso le aperture del volante.
- * Assicurati che la base del volante sia ben fissata, così come indicato dalle istruzioni nel presente manuale.

PRODOTTO PESANTE



Prodotto maneggiabile solo da utenti con un'età minima di 16 anni



Fai attenzione a non far cadere il prodotto addosso a te o a chiunque altro!

SEMPRE



MAI



MAI



Attenzione – Rischio di schiacciamento da pedaliera mentre giochi

- * Tieni la pedaliera lontana dai bambini.
- * Mentre giochi, non appoggiare mai le tue dita sui pedali o nelle immediate vicinanze.
- * Mentre giochi, non appoggiare mai le tue dita sulla base posteriore dei pedali o nelle immediate vicinanze.
- * Mentre giochi, non appoggiare mai le tue dita sulla base anteriore dei pedali o nelle immediate vicinanze.

MAI



MAI



MAI



Attenzione – Rischio di schiacciamento da pedaliera quando non giochi

- * Conserva la pedaliera in un posto sicuro e tienila lontana dalla portata dei bambini.

AGGIORNARE IL FIRMWARE DEL TUO VOLANTE

Il firmware presente nella base del tuo volante può essere aggiornato ad una versione più recente, per apportare migliorie al prodotto.

Per visualizzare la versione del firmware attualmente presente nel tuo volante e, se necessario, aggiornarla: su PC, collegati al sito <https://support.thrustmaster.com/>. Clicca su **Volanti / T-GT II**, dopodiché seleziona **Firmware** e segui le istruzioni per la procedura di scaricamento e installazione.

Nota importante:

Su PC, il selettore USB (11) della base del volante deve essere sempre in posizione OTHER.

INSTALLARE IL VOLANTE SULLA SUA BASE

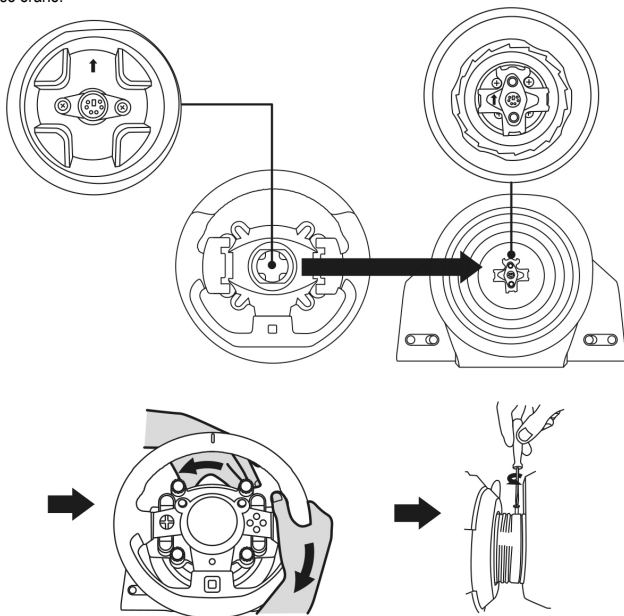
Allinea correttamente i connettori utilizzando le frecce:

Connettore della base (1): freccia rivolta verso l'alto

Connettore del volante (2): freccia rivolta verso l'alto

Dopo aver correttamente posizionato i connettori, non devi far altro che ruotare in senso antiorario l'anello del sistema Thrustmaster Quick Release (15), tenendo il volante (2) fermo in posizione.

Dopodiché, stringi l'anello più a fondo che puoi; per far questo, tieni l'anello in posizione e ruota il volante in senso orario.



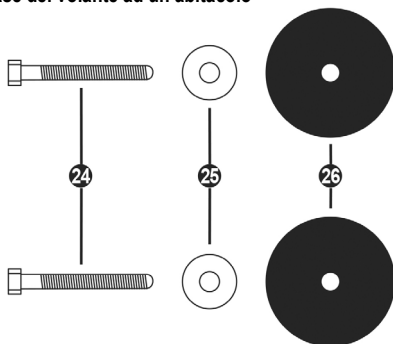
Dopo aver installato il volante, ruotalo di 180° (guardando il volante, il logo GT deve apparire ribaltato) per accedere alla piccola vite di fissaggio (presente sull'anello del sistema Thrustmaster Quick Release (15)). Utilizzando un grande cacciavite Phillips, stringi la piccola vite di fissaggio (senza usare troppa forza), facendola ruotare in senso orario.



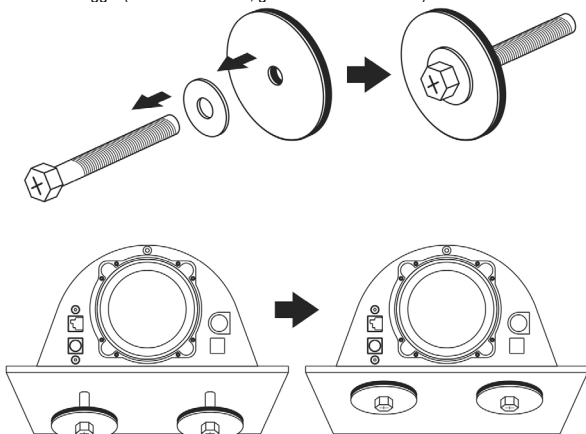
**NON utilizzare troppa forza per stringere la piccola vite di fissaggio (con un cacciavite Phillips)!
Smetti di avvitare non appena avverti un po' di resistenza.**

FISSARE IL VOLANTE

Agganciare la base del volante ad un abitacolo



- 24 2 bulloni a vite tipo M6 a testa esagonale/testa Phillips
- 25 2 rondelle
- 26 2 dischi di fissaggio (metallo da un lato, gomma trattata sull'altro)



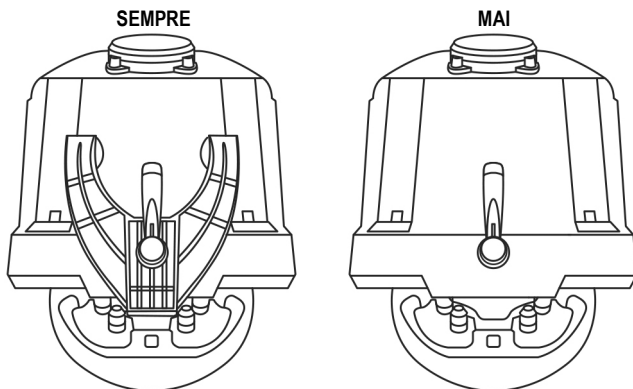
1. Posiziona le rondelle (25) sul lato metallico dei dischi di fissaggio (26) e inserisci i bulloni a vite tipo M6 a testa esagonale/testa Phillips (24).
2. Colloca la base del volante sul piano dell'abitacolo.
3. Utilizzando una chiave inglese da 10 mm o un cacciavite a punta Phillips, fissa il kit di montaggio per abitacoli al telaio dell'abitacolo e nei 2 piccoli fori per viti presenti nella parte inferiore del volante.

ATTENZIONE:

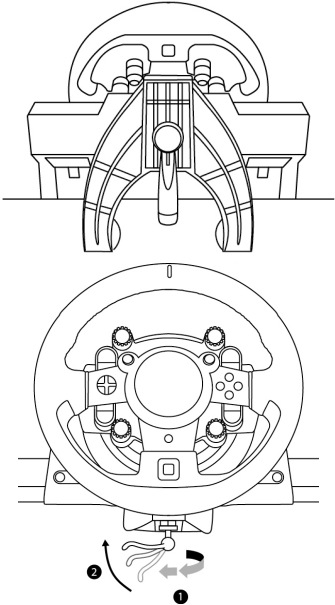
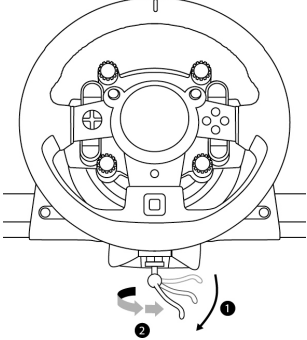
- **Non rimuovere le imbottiture in spugna presenti sotto la base volante!** Una volta attaccato il volante, le imbottiture in spugna amplificano gli effetti del sistema T-DFB.
- **Il lato in gomma lavorata dei dischi di fissaggio (26) deve assolutamente essere posizionato contro il telaio dell'abitacolo** = non posizionare mai il lato metallico rivolto verso il telaio dell'abitacolo.

Fissare il volante a un tavolo o a una scrivania

1. Colloca il volante su un tavolo o su qualsiasi altra superficie piana, orizzontale e stabile.
2. Inserisci la vite di fissaggio (14) nel sistema di aggancio (13), dopodiché blocca la periferica ruotando la vite in senso antiorario, in modo tale che questa penetri nell'ampio foro filettato (12) presente nella parte inferiore del volante, finché il volante non risulti perfettamente stabile.

**ATTENZIONE:**

- **Non stringere mai la vite da sola, senza il sistema di aggancio! (Ciò potrebbe danneggiare il volante.)**
- **Non rimuovere le imbottiture in spugna presenti sotto la base volante!** Una volta attaccato il volante, le imbottiture in spugna amplificano gli effetti del sistema T-DFB.

AGGANCIO / RIMOZIONE	DIREZIONE
<p><u>Per stringere:</u></p> <p><i>Gira la vite in senso antiorario</i></p>	
<p><u>Per allentare:</u></p> <p><i>Gira la vite in senso orario</i></p>	

CONFIGURAZIONE DEL VOLANTE PER CONSOLE PS5™ E CONSOLE PS4™

1. Collega la pedaliera al relativo connettore (19) presente sulla parte posteriore della base del volante.
2. Collega l'alimentatore T-TURBO (21) al relativo connettore (17).
3. Collega il cavo di alimentazione (22) all'alimentatore T-TURBO e collega il cavo ad una presa elettrica con il medesimo voltaggio.
4. Porta il selettore scorrevole USB (11) in posizione "OTHER" o "GT", a seconda del gioco PS5™ o del gioco PS4™ da te utilizzato.
5. Collega il cavo USB rimovibile (23) al relativo connettore (18) e una delle porte USB della tua console PS5™ o console PS4™.
6. Dopo aver acceso la tua console PS5™ o console PS4™, il tuo volante si calibrerà da solo.
7. Per far funzionare il tuo volante, premi il pulsante PS (9) sul volante e accedi al tuo account PlayStation™Network.

Ora sei pronto per giocare!

Note importanti:

- Per rendere funzionante il tuo volante, premi il pulsante PS (9) sul volante.
- Prima di collegare il cavo USB del volante alla tua console, il selettore scorrevole USB (11) presente sulla base del volante dovrà sempre trovarsi nella posizione corretta ("OTHER" o "GT").
Per cambiare la posizione del selettore scorrevole: scollega il cavo USB, dopodiché porta il selettore nella posizione desiderata, prima di ricollegare il cavo USB alla console.
- L'elenco dei giochi PlayStation®5 e dei giochi PlayStation®4 compatibili con il T-GT II (assieme alla posizione richiesta per il selettore scorrevole USB (11) relativamente al gioco da te utilizzato) è disponibile qui: <https://support.thrustmaster.com> (nella sezione Volanti/T-GT II). Questo elenco viene aggiornato regolarmente.

SELETTORE SCORREVOLE USB (11) IN POSIZIONE "OTHER" PER GIOCHI PS5™ E GIOCHI PS4™ DIVERSI DA GT SPORT

Quando il selettore scorrevole the USB (11) si trova in posizione "OTHER":

- * Il sistema Force Feedback funziona, al contrario del sistema per effetti T-DFB (16).

SELETTORE SCORREVOLE USB (11) IN POSIZIONE "GT" PER IL GIOCO GT SPORT (E ALTRI FUTURI GIOCHI GT)

Quando il selettore scorrevole the USB (11) si trova in posizione "GT":

- * Il sistema Force Feedback e il sistema per effetti T-DFB (16), sono entrambi funzionanti in contemporanea. Nelle opzioni del gioco GT Sport, il livello di potenza di ciascun sistema può essere regolato indipendentemente.

CONFIGURAZIONE DEL VOLANTE PER PC*

*Compatibilità PC non avvallata da parte di Sony Interactive Entertainment Europe e Sony Interactive Entertainment LLC.

Per maggiori informazioni, collegati al sito <https://support.thrustmaster.com/>.

CALIBRAZIONE AUTOMATICA DI VOLANTE E PEDALIERA

Il volante si calibra automaticamente nel momento in cui colleghi il volante alla rete elettrica e inserisci nella console il connettore USB del volante.

Durante questa fase, il volante si muoverà rapidamente a destra e a sinistra, coprendo un angolo di 1080 gradi, prima di fermarsi in posizione centrale.



ATTENZIONE:

**Non toccare mai il volante durante la fase di auto-calibrazione!
(Ciò potrebbe causare un'errata calibrazione e/o infortuni personali.)**

CALIBRAZIONE AUTOMATICA DELLA PEDALIERA

Non collegare mai la pedaliera alla base del volante (né scollegarla mai dalla base) mentre il volante è collegato alla console o durante i giochi (ciò potrebbe causare un'errata calibrazione).

Collega sempre la pedaliera prima di collegare il volante alla console.

Una volta completata la calibrazione del volante e avviato il gioco, i pedali si auto-calibreranno dopo averli premuti alcune volte.



ATTENZIONE:

Non premere mai i pedali durante la fase di auto-calibrazione del volante o durante il caricamento di un gioco! (Ciò potrebbe causare un'errata calibrazione.)

Qualora il tuo volante e la tua pedaliera non funzionassero correttamente, o se la calibrazione dovesse apparirti errata:

Spegni la tua console, scollega completamente il tuo volante, ricollega tutti i cavi (compresi il cavo di alimentazione e la pedaliera), quindi riavvia la tua console e il tuo gioco.

SISTEMA INTERNO DI RAFFREDDAMENTO PER LA BASE DEL VOLANTE

Il sistema interno di raffreddamento per la base del volante

- inizia a funzionare quando il volante viene acceso.
- si spegne dopo alcuni minuti di inattività, quando la temperatura interna scende a un livello basso.
- si riaccende quando si riutilizza il volante.

PULSANTE MODE E SPIA LUMINOSA (10)

Pulsante MODE per la pedaliera

Potrai scambiare elettronicamente fra loro i pedali di acceleratore e frizione.

Per far questo, non devi far altro che tenere premuto il pulsante MODE (10) per 2 secondi.

Lo stato dell'attivazione dello scambio tra i pedali viene salvato nella memoria interna del volante.

PEDALI ACCELERATORE E FRIZIONE	Colore del led MODE (10)
NORMALI	ROSSO
SCAMBIATI	VERDE

Altri consigli per il pulsante MODE

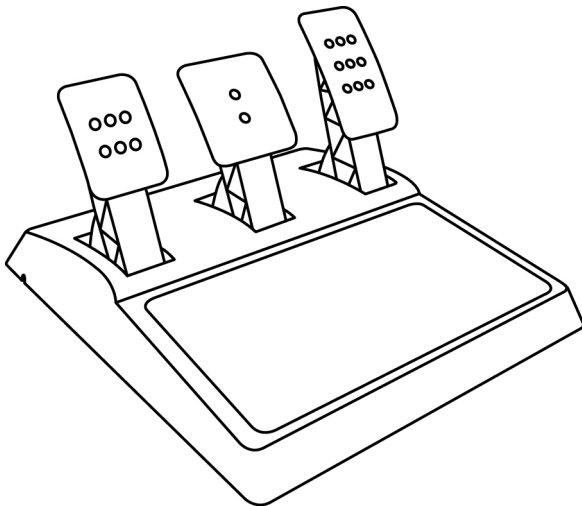
Per saperne di più sul pulsante e sul led MODE, consulta il sito <https://support.thrustmaster.com/>.

Clicca su **Volanti / T-GT II**, quindi seleziona **Manuale** o **FAQ**.

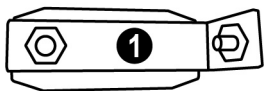
FILE DI AIUTO E FAQ

Visita il sito <https://support.thrustmaster.com/>. Clicca su **Volanti / T-GT II**, quindi seleziona **Manuale** o **FAQ**.

PEDALIERA **T-GT II EDITION**

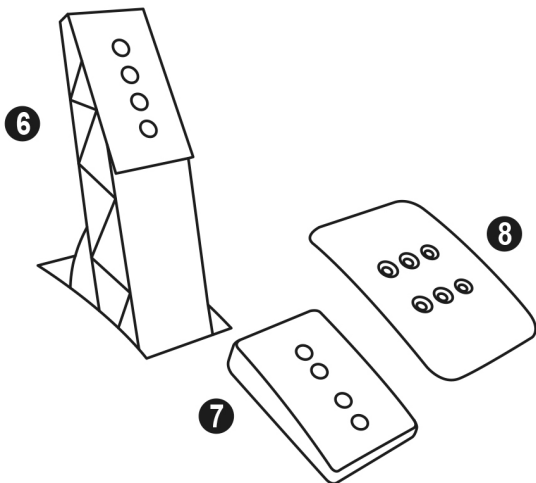


CARATTERISTICHE TECNICHE



- 1 Supporto metallico per blocco conico
(non preventivamente installato)
- 2 Blocco conico
- 3 Vite di fissaggio per supporto metallico

- 4 Chiave Allen da 2,5 mm (inclusa)
- 5 Dado di regolazione della posizione del blocco conico



- 6 Leva del pedale in metallo
- 7 Supporto copri-pedale in plastica

- 8 Copri-pedale in metallo

ATTENZIONE

Prima di utilizzare questo prodotto, assicurati di leggere con attenzione il presente manuale, conservandolo per una futura consultazione.



Per ragioni di sicurezza, non utilizzare mai la pedaliera a piedi nudi o indossando unicamente dei calzini.

THRUSTMASTER® DECLINA OGNI RESPONSABILITÀ IN CASO DI INFORTUNIO DERIVANTE DALL'USO DELLA PEDALIERA SENZA SCARPE.



Attenzione – Rischio di schiacciamento durante le sessioni di gioco con la pedaliera

- * Mantieni la pedaliera fuori dalla portata dei bambini.
- * Durante le sessioni di gioco, non appoggiare mai le tue dita o i tuoi pollici sopra o vicino ai lati dei pedali.
- * Durante le sessioni di gioco, non appoggiare mai le tue dita o i tuoi pollici sopra o vicino alla base posteriore dei pedali.
- * Durante le sessioni di gioco, non appoggiare mai le tue dita o i tuoi pollici sopra o vicino alla base frontale dei pedali.

MAI



MAI



MAI



CALIBRAZIONE AUTOMATICA DEI PEDALI



IMPORTANTE:

- Per evitare problemi di calibrazione, durante le sessioni di gioco o quando il volante è collegato a una console PS5™ o a una console PS4™ o a un PC, non collegare o scollegare mai la pedaliera dalla base del volante.
- Collega la pedaliera al volante sempre prima di collegare quest'ultimo a una console PS5™ o a una console PS4™ o a un PC.
- Dopo che il volante si sarà calibrato automaticamente e una volta avviato il gioco, i pedali si calibreranno automaticamente dopo essere stati premuti alcune volte.
- Per evitare problemi di calibrazione, non premere mai i pedali mentre il volante si sta auto-calibrando o mentre il tuo gioco si sta avviando.
- Se i pedali non dovessero funzionare correttamente o ti dovessero sembrare mal calibrati, spegni la tua console, scollega totalmente il volante, dopodiché ricollega tutti i cavi (compresi il cavo di alimentazione e il cavo della pedaliera), riaccendo la console e riavvia il tuo gioco.

FISSARE LA PEDALIERA A UN ABITACOLO

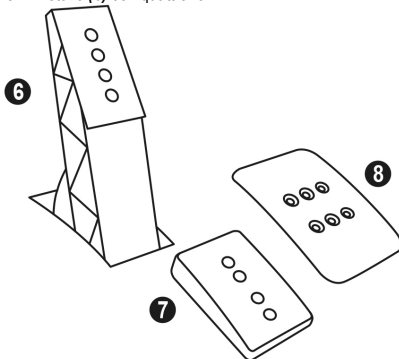
- Fissa la pedaliera utilizzando i piccoli fori per viti presenti nella parte inferiore della pedaliera.
- Avvita due viti M6 (non incluse) nella placca di supporto per la pedaliera del tuo abitacolo e nei due piccoli fori per viti presenti nella parte inferiore della pedaliera.

Importante: per non danneggiare le componenti interne della pedaliera, la lunghezza delle due viti M6 non deve superare lo spessore della placca di supporto per la pedaliera del tuo abitacolo aumentato di 10 mm.

REGOLAZIONE DELLA PEDALIERA

Ognuno dei tre pedali è dotato di:

- Copri-pedale in metallo (8) multi-perforato (nove per l'acceleratore – due per il freno – sei per la frizione).
- Un supporto copri-pedale in plastica (7) (posizionato tra la testa e l'asta del pedale) con quattro perforazioni.
- Una leva del pedale in metallo (6) con quattro fori.

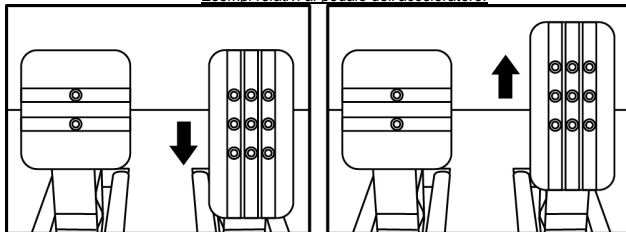


ATTENZIONE: per evitare problemi di calibrazione, prima di effettuare qualsiasi regolazione sulla tua pedaliera, assicurati sempre di scollegare il cavo USB del tuo volante dalla console PS5™ o dalla console PS4™.

Regolare l'ALTEZZA dei 3 pedali

- Utilizzando l'acclusa chiave Allen da 2,5 mm (4), svita le due viti di fissaggio del copri-pedale in metallo (8) e del relativo supporto (7).
- Scegli la tua altezza preferita, dopodiché reinsertisci e stringi nuovamente le viti, in modo tale che il copri-pedale in metallo (8) e il relativo supporto (7) siano saldamente fissati.

Esempi relativi al pedale dell'acceleratore:



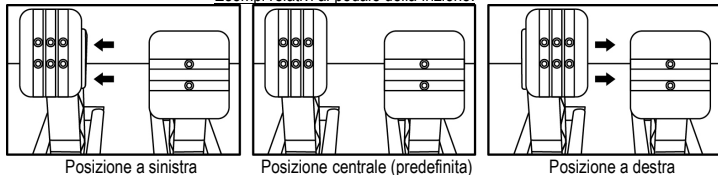
Posizione bassa

Posizione alta

Regolare la DISTANZA del pedale dell'acceleratore e della frizione

- Utilizzando l'acclusa chiave Allen da 2,5 mm (4), svita le due viti di fissaggio del copri-pedale in metallo (8) e del relativo supporto (7).
- Seleziona la tua posizione preferita (a sinistra, al centro, a destra), dopodiché reinserisci e stringi nuovamente le viti, in modo tale che il copri-pedale in metallo (8) e il relativo supporto (7) siano saldamente fissati.

Esempi relativi al pedale della frizione:



Posizione a sinistra

Posizione centrale (predefinita)

Posizione a destra

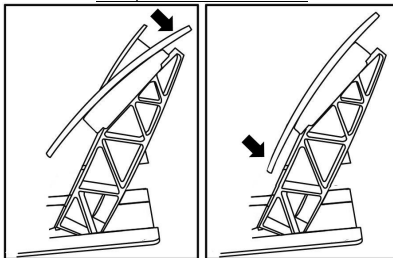
Numero di posizionamenti possibili per pedale:

- Tre per l'acceleratore
- Tre per la frizione

Regolare l'INCLINAZIONE dei 3 pedali

- Utilizzando l'acclusa chiave Allen da 2,5 mm (4), svita le due viti di fissaggio del copri-pedale in metallo (8) e del relativo supporto (7).
- Ruota il supporto copri-pedale in plastica (7) di 180°, dopodiché reinserisci e stringi nuovamente le viti, in modo tale che il copri-pedale in metallo (8) e il relativo supporto (7) siano saldamente fissati.

Esempi relativi all'acceleratore:



Posizione a minor inclinazione

Posizione a maggior inclinazione (predefinita)

Numero di inclinazioni possibili per pedale:

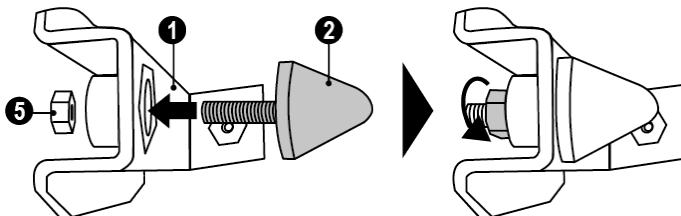
- Due per l'acceleratore
- Due per il freno
- Due per la frizione

Installare in blocco conico ("CONICAL RUBBER BRAKE" mod)

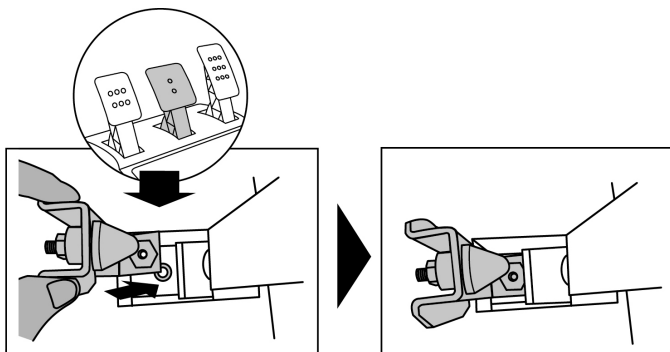
Questa modifica (o "mod") non è essenziale e non risulta preventivamente installata. Ciò significa che il pedale del freno funziona perfettamente anche a mod non installato.

Questo mod ti permette di sperimentare differenti sensazioni e resistenze durante le frenate. Sta a te scegliere se installarlo o meno, a seconda delle tue preferenze.

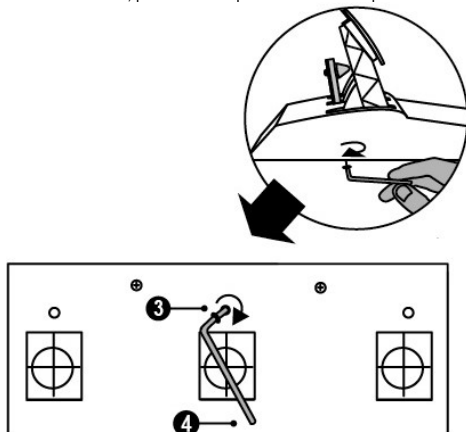
- Avvita il blocco conico (2) nel relativo supporto metallico (1).
- Nella parte posteriore (all'interno del foro filettato del blocco conico), avvita il dado per la regolazione della posizione (5).



- Posiziona l'unità dietro all'asta del pedale del freno.



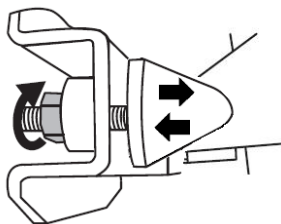
- Utilizzando l'acclusa chiave Allen da 2,5 mm (4), aggancia l'unità stringendo la vite di fissaggio (3) nel piccolo foro centrale filettato, presente nella parte inferiore della pedaliera.



Il mod "CONICAL RUBBER BRAKE" è ora installato!

Regolazione dell'AMPIEZZA della corsa e della FORZA resistente del pedale del freno

Svitando leggermente il dado (5), puoi aumentare ulteriormente la resistenza del pedale del freno, avvicinando il blocco conico (2) alla parte posteriore dell'asta del pedale (se necessario, per stringere nuovamente il dado e mantenerlo nella posizione desiderata, usa una chiave del 14 o delle pinze). Quanto più il blocco conico sarà vicino alla parte posteriore dell'asta del pedale, tanto maggiore risulterà la forza resistente.



Nota: se il blocco conico si trova molto vicino alla parte posteriore dell'asta del pedale del freno, potresti avere delle difficoltà nel raggiungere il massimo valore di calibrazione. Se così fosse:

- * Lentamente, premi con molta forza il pedale del freno, affinché raggiunga il valore massimo (se necessario, sali in piedi sul pedale brevemente – solo per un attimo), dopodiché allenta la pressione; oppure
- * Porta il blocco conico un po' più distante dal retro dell'asta del pedale del freno.

Informazioni sulla garanzia al consumatore

A livello mondiale, Guillemot Corporation S.A., avente sede legale in Place du Granier, B.P. 97143, 35571 Chantepie, Francia (d'ora in avanti "Guillemot") garantisce al consumatore che il presente prodotto Thrustmaster sarà privo di difetti relativi ai materiali e alla fabbricazione, per un periodo di garanzia corrispondente al limite temporale stabilito per la presentazione di un reclamo riguardante la conformità del prodotto in questione. Nei paesi della Comunità Europea, tale periodo equivale a due (2) anni a partire dalla consegna del prodotto Thrustmaster. In altri paesi, la durata della garanzia corrisponde al limite temporale stabilito per la presentazione di un reclamo riguardante la conformità del prodotto Thrustmaster in base alle leggi applicabili nel paese in cui il consumatore risiedeva alla data di acquisto del prodotto Thrustmaster (qualora nel paese in questione non esistesse alcuna norma a riguardo, il periodo di garanzia corrisponderà a un (1) anno a partire dalla data originale di acquisto del prodotto Thrustmaster).

Qualora, durante il periodo di garanzia, il prodotto dovesse apparire difettoso, contatti immediatamente l'Assistenza Tecnica, che le indicherà la procedura da seguire. Qualora il difetto dovesse essere confermato, il prodotto dovrà essere riportato al luogo di acquisto (o qualsiasi altro luogo indicato dall'Assistenza Tecnica).

Nel contesto della presente garanzia, il prodotto difettoso di proprietà del consumatore potrà essere sostituito o reso nuovamente funzionante, a discrezione dell'Assistenza Tecnica. Se, durante il periodo coperto dalla garanzia, il prodotto Thrustmaster fosse oggetto di tale rimessa in operatività, alla rimanente durata della garanzia dovrà essere aggiunto un periodo di almeno sette (7) giorni, durante il quale il prodotto risulta non utilizzabile (tale periodo intercorre dalla data della richiesta di intervento da parte del consumatore o dalla data in cui il prodotto in questione è reso disponibile per la rimessa in operatività, questo nel caso in cui tale data sia successiva alla data di richiesta di intervento). Qualora le leggi applicabili in materia lo consentano, la totale responsabilità di Guillemot e delle sue controllate (compresi i danni conseguenti) si limita alla rimessa in operatività o alla sostituzione del prodotto Thrustmaster. Qualora le leggi applicabili in materia lo consentano, Guillemot declina ogni garanzia sulla commerciabilità o la conformità a finalità particolari.

La presente garanzia non potrà essere applicata: (1) se il prodotto è stato modificato, aperto, alterato o ha subito danni derivanti da un uso inappropriato o non autorizzato, da negligenza, da un incidente, dalla semplice usura, o da qualsiasi altra causa non riconducibile a difetti nei materiali o nell'assemblaggio (compresi, ma non i soli, prodotti Thrustmaster combinati con elementi inadatti, tra cui, in particolare, batterie ricaricabili, caricatori o qualsiasi altro elemento non fornito da Guillemot per questo prodotto); (2) nel caso in cui il prodotto sia stato utilizzato per qualsiasi altro scopo al di fuori dell'uso domestico, comprese finalità professionali o commerciali (esempio: sale giochi, allenamenti, concorsi); (3) in caso di mancato rispetto delle istruzioni fornite dall'Assistenza Tecnica; (4) in caso di software, ovvero software soggetto a una specifica garanzia; (5) ai materiali di consumo (elementi che richiedono la loro sostituzione al termine della loro durata di esercizio come, ad esempio, batterie di tipo convenzionale o cuscinetti protettivi per auricolari o cuffie); (6) agli accessori (ad esempio, cavi, custodie, borsette, borse, cinturini); (7) se il prodotto è stato venduto ad un'asta pubblica.

La presente garanzia non è trasferibile.

I diritti legali del consumatore, stabiliti dalle leggi vigenti in materia di vendita di beni di consumo nel relativo paese, non vengono intaccati dalla presente garanzia.

Disposizioni aggiuntive sulla garanzia

Per tutta la durata della garanzia, in linea di principio, Guillemot non fornirà alcuna parte di ricambio, in quanto la sola Assistenza Tecnica è la parte autorizzata ad aprire e/o rimettere in funzionamento tutti i prodotti Thrustmaster (fatta eccezione per eventuali procedure di rimessa in operatività che l'Assistenza Tecnica potrebbe richiedere al consumatore, attraverso istruzioni scritte – viste, ad esempio, la semplicità e la mancanza di riservatezza della procedura di rimessa in operatività – e fornendo al consumatore le necessarie parti di ricambio, se ve ne fosse l'esigenza).

Considerando i propri cicli di innovazione e per proteggere il proprio know-how e i propri segreti commerciali, in linea di principio, Guillemot non fornirà alcuna notifica o parte di ricambio finalizzata alla rimessa in attività di un qualunque prodotto Thrustmaster il cui periodo di garanzia risultasse scaduto.

Responsabilità

Qualora le leggi applicabili in materia lo consentano, Guillemot Corporation S.A. (d'ora in avanti "Guillemot") e le sue controllate declinano ogni responsabilità per qualsiasi danno derivante da almeno una delle seguenti condizioni: (1) il prodotto è stato modificato, aperto o alterato; (2) mancato rispetto delle istruzioni di installazione; (3) uso inappropriato o non permesso, negligenza, incidente (come, ad esempio, un impatto); (4) semplice usura; (5) utilizzo del prodotto per qualsiasi altro scopo al di fuori dell'uso domestico, comprese finalità professionali o commerciali (esempio: sale giochi, allenamenti, concorsi). Qualora le leggi applicabili in materia lo consentano, Guillemot e le sue controllate declinano ogni responsabilità per qualsiasi danno non riconducibile a difetti nei materiali o nella fabbricazione del prodotto (compresi, ma non i soli, potenziali danni causati direttamente o indirettamente da un qualunque software, oppure dall'uso del prodotto Thrustmaster in combinazione con elementi inadatti, tra cui, in particolare, batterie ricaricabili, caricatori o qualsiasi altro elemento non fornito da Guillemot per questo prodotto).

THRUSTMASTER®

ASSISTENZA TECNICA

<https://support.thrustmaster.com>



COPYRIGHT

©2021 Guillemot Corporation S.A. Tutti i diritti riservati. Thrustmaster® è un marchio registrato di proprietà di Guillemot Corporation S.A. Fabbricato e distribuito da Guillemot Corporation S.A. Tutti gli altri marchi e nomi commerciali vengono qui citati previa autorizzazione e appartengono ai legittimi proprietari. Contenuti, design e caratteristiche possono essere oggetto di modifiche senza preavviso e potrebbero variare da una nazione all'altra. Foto e illustrazioni puramente indicative. Progettato in Europa e Nord America, fabbricato in Cina.

Utilizzabile esclusivamente con console PlayStation®5 e console PlayStation®4.

"PS", "PlayStation", "PS5", e "PS4" sono marchi o marchi registrati di proprietà di Sony Interactive Entertainment Inc. Tutti i diritti riservati. Tutti gli altri marchi appartengono ai legittimi proprietari. Prodotto e distribuito su licenza di Sony Interactive Entertainment LLC.

Gran Turismo e il logo Gran Turismo sono marchi o marchi registrati di proprietà di Sony Interactive Entertainment Inc.

Tecnologia TouchSense® su licenza di Immersion Software Ireland Limited. Protetto da uno o più brevetti U.S.A., disponibili al seguente indirizzo: www.immersion.com/patent-marking.html; oltre che da altri brevetti in attesa di approvazione.

RACCOMANDAZIONI SULLA TUTELA DELL'AMBIENTE



* Nell'Unione Europea, Regno Unito e Turchia: Al termine della sua vita operativa, questo prodotto non dovrebbe essere gettato assieme ai comuni rifiuti, ma dovrebbe essere portato ad un apposito punto di raccolta destinato al riciclaggio del Materiale Elettrico ed Elettronico.

Ciò è confermato dal simbolo riportato sul prodotto, nel manuale d'uso o sulla confezione.

A seconda delle proprie caratteristiche, i materiali potrebbero essere riciclati. Tramite il riciclaggio ed altre forme di trattamento del Materiale Elettrico ed Elettronico, è possibile fornire un importante contributo per la salvaguardia dell'ambiente.

Per conoscere i punti di raccolta più vicini a te, contatta le autorità locali competenti.

In tutti gli altri Paesi: per favore, rispetta le leggi locali sul riciclo dei materiali elettrici ed elettronici.

Informazioni da conservare. I colori e le decorazioni possono variare.

I ganci di plastica e gli adesivi dovrebbero essere rimossi dal prodotto prima che quest'ultimo venga utilizzato.

www.thrustmaster.com

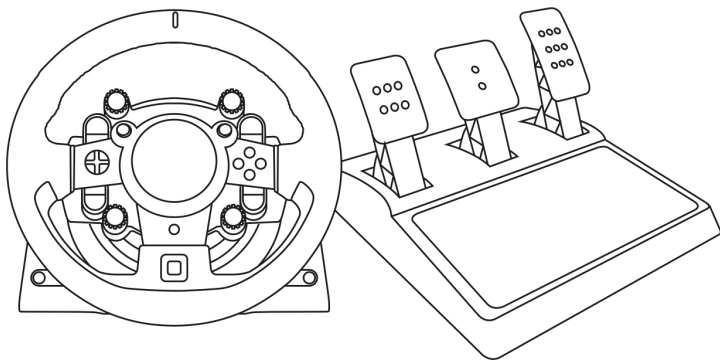
**Valido solo in UE, Regno Unito e Turchia*


immersion. 

T-GT II

Para consolas PlayStation®5 y consolas PlayStation®4

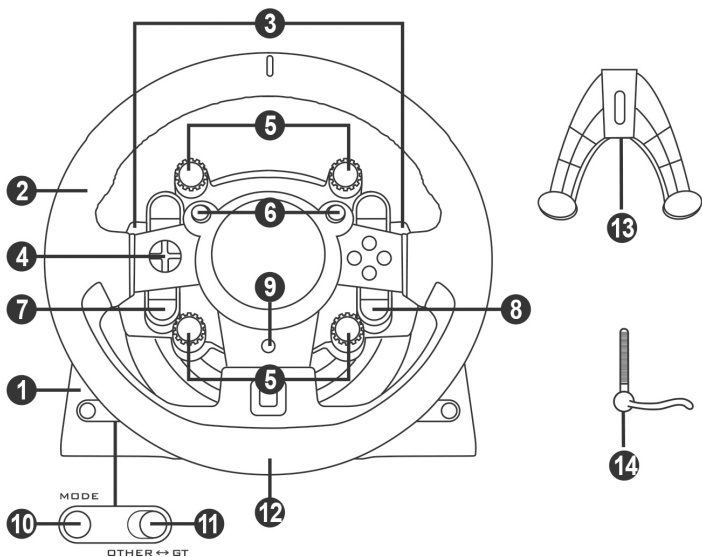
Manual del usuario



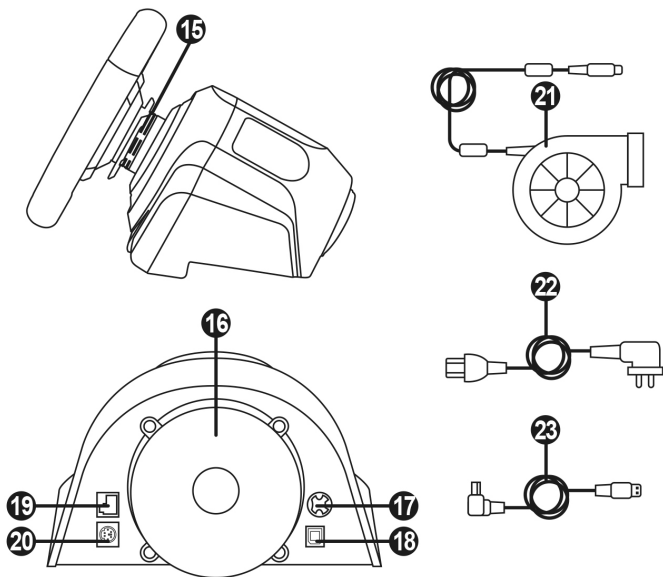
ADVERTENCIA:

Para asegurarte de que tu volante de carreras T-GT II funcione correctamente con juegos, puede que tengas que instalar las actualizaciones automáticas de los juegos (*disponibles cuando tu consola está conectada a Internet*).

CARACTERÍSTICAS TÉCNICAS



- | | |
|--|---|
| 1 Base T-GT II | 8 Botón OPTIONS |
| 2 Volante T-GT II | 9 Botón PS |
| 3 2 levas secuenciales de cambio de marchas (arriba y abajo) | 10 Botón MODE + luz indicadora roja/verde |
| 4 Botones de dirección | 11 Interruptor deslizante USB integrado: <i>OTHER / GT</i> |
| 5 4 selectores giratorios con función de pulsador | 12 Agujero roscado grande (para sistema de fijación y tornillo de sujeción) |
| 6 2 mini-sticks | 13 Sistema de fijación |
| 7 Botón SHARE/CREATE | 14 Tornillo de sujeción metálico |



- 15 Thrustmaster Quick Release
- 16 Conjunto de efectos T-DFB (sólo compatible con las consolas PS5™ y las consolas PS4™ en modo GT)
- 17 Conector de fuente de alimentación T-TURBO
- 18 Conector de cable USB desmontable
- 19 Conector de pedales
- 20 Conector de cambio de marchas TH8A (cambio de marchas vendido por separado)
- 21 Fuente de alimentación T-TURBO
- 22 Cable de fuente de alimentación
- 23 Cable USB desmontable

¡CONEXIÓN DEL VOLANTE A UN ENCHUFE ELÉCTRICO: LEER DETENIDAMENTE!



¡No conectes nunca la fuente de alimentación T-TURBO a un enchufe eléctrico con un voltaje distinto! El voltaje de la fuente de alimentación T-TURBO se indica en la etiqueta situada encima del conector hembra del cable de la fuente de alimentación.



¡No conectes nunca una fuente de alimentación que no sea la T-TURBO a la base del T-GT II, aunque el conector sea compatible! Por ejemplo, no conectes nunca el adaptador de corriente del volante T500 RS a la base T-GT II.

ADVERTENCIAS

Antes de utilizar este producto, lee detenidamente este manual y consévalo para consultarlo posteriormente.



Advertencia – Descarga eléctrica

- * Mantén el producto en un lugar seco y no lo expongas al polvo ni a la luz directa del sol.
- * No retuerzas ni tires de los conectores ni de los cables.
- * No derrames líquidos en el producto ni en sus conectores.
- * No cortocircuites el producto.
- * No desmontes nunca el producto ni lo lances al fuego ni lo expongas a temperaturas elevadas.
- * No utilices otro cable de fuente de alimentación distinto del proporcionado con el volante de carreras.
- * No utilices el cable de fuente de alimentación si el cable o los conectores están dañados, partidos o rotos.
- * Asegúrate de que el cable de fuente de alimentación esté enchufado correctamente en un enchufe eléctrico, y conectado correctamente al conector de la parte trasera de la base del volante de carreras.
- * No abras el volante de carreras: en el interior no hay piezas que el usuario pueda arreglar. Las reparaciones las debe realizar el fabricante, su representante autorizado o un técnico cualificado.
- * Utiliza únicamente sistemas de fijación/accesorios especificados por el fabricante.
- * Si el volante de carreras se comporta de forma anormal (si emite sonidos anormales, calor u olores), deja de utilizarlo inmediatamente, desenchufa el cable de fuente de alimentación del enchufe eléctrico y desconecta los demás cables.
- * Si no vas a utilizar el volante de carreras durante un período de tiempo prolongado, desenchufa su cable de fuente de alimentación del enchufe eléctrico.
- * El enchufe eléctrico debe estar situado cerca del equipo y ser fácilmente accesible.

Información relativa al adaptador de corriente de 220 V

Información publicada	Valor	Unidad
Nombre o marca comercial del fabricante, número de registro comercial y dirección	GUILLEMOT CORPORATION S.A. 414 196 758 Rennes Place du Granier BP 97143 35571 Chantepie Cedex Francia	
Identificador del modelo	Turbo Power 220V	
Voltaje de entrada	220 - 240	V
Frecuencia de CA de entrada	50 / 60	Hz
Voltaje de salida	24,0	V CA
Corriente de salida	4,0	A
Potencia de salida	96,0	W
Eficiencia activa promedio	90,9	%
Eficiencia a baja carga (10 %)	86,8	%
Consumo de potencia sin carga	0,01	W



Rejillas de ventilación

Asegúrate de no bloquear ninguna de las rejillas de ventilación de la base del volante de carreras. Para obtener una ventilación óptima, respeta los puntos siguientes:

- * Coloca la base del volante al menos a 10 cm de distancia de las paredes.
- * No coloques la base en espacios estrechos.
- * No tapes la base.
- * No dejes que se acumule polvo en las rejillas de ventilación.



Por razones de seguridad, no uses nunca los pedales con los pies descalzos o únicamente con calcetines en los pies.

THRUSTMASTER® DECLINA TODA RESPONSABILIDAD EN CASO DE LESIONES PRODUCTO DEL USO DE LOS PEDALES SIN CALZADO.



Advertencia – Lesiones debidas al Force Feedback y los movimientos repetitivos

Jugar con un volante con Force Feedback puede producir dolor en las articulaciones o en los músculos. Para evitar problemas:

- * Evita jugar durante períodos prolongados.
- * Haz descansos de 10 a 15 minutos por cada hora de juego.
- * Si sientes fatiga o dolor en las manos, muñecas, brazos, pies o piernas, deja de jugar y descansa durante unas horas antes de volver a jugar.
- * Si los síntomas o el dolor indicados anteriormente persisten cuando vuelves a jugar, deja de hacerlo y consulta al médico.
- * Mantén el volante fuera del alcance de los niños.
- * Durante el juego, mantén siempre ambas manos colocadas correctamente en el volante sin dejarlas completamente caídas.
- * Mientras estés jugando, no coloques nunca las manos ni los dedos debajo de los pedales, ni tampoco cerca de ellos.
- * Durante la calibración y el juego, no metas nunca las manos ni los brazos a través de las aberturas del volante de carreras.
- * Asegúrate de que la base del volante de carreras esté fijada correctamente, según las instrucciones de este manual.

PRODUCTO PESADO

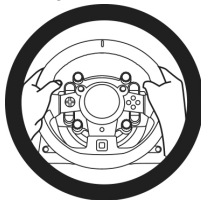


El producto sólo puede ser manejado por usuarios de 16 años de edad como mínimo



¡Ten cuidado de no dejar caer el producto encima de ti o de otra persona!

SIEMPRE



NUNCA



NUNCA



Advertencia – Peligro de pillarse los dedos con los pedales mientras se juega

- * Mantén los pedales fuera del alcance de los niños.
- * Cuando juegues, no pongas nunca los dedos en los lados de los pedales ni cerca de ellos.
- * Cuando juegues, no pongas nunca los dedos sobre la base trasera de los pedales ni cerca de ella.
- * Cuando juegues, no pongas nunca los dedos sobre la base delantera de los pedales ni cerca de ella.

NUNCA



NUNCA



NUNCA



Advertencia – Peligro de pillarse los dedos con los pedales cuando no se juega

- * Guarda los pedales en un lugar seguro y lejos del alcance de los niños.

ACTUALIZACIÓN DEL FIRMWARE DEL VOLANTE DE CARRERAS

El firmware incluido en la base del volante de carreras se puede actualizar a una versión más reciente que incluya mejoras del producto.

Para mostrar la versión de firmware que está usando actualmente tu volante de carreras y actualizarla si es necesario: en PC, visita <https://support.thrustmaster.com/>. Haz clic en **Volantes de carreras / T-GT II**, después selecciona **Firmware** y sigue las instrucciones que describen el procedimiento de descarga e instalación.

Nota importante:

En PC, el interruptor deslizante de USB (11) de la base del volante de carreras siempre debe estar puesto en la posición OTHER.

INSTALACIÓN DEL VOLANTE DE CARRERAS EN SU BASE

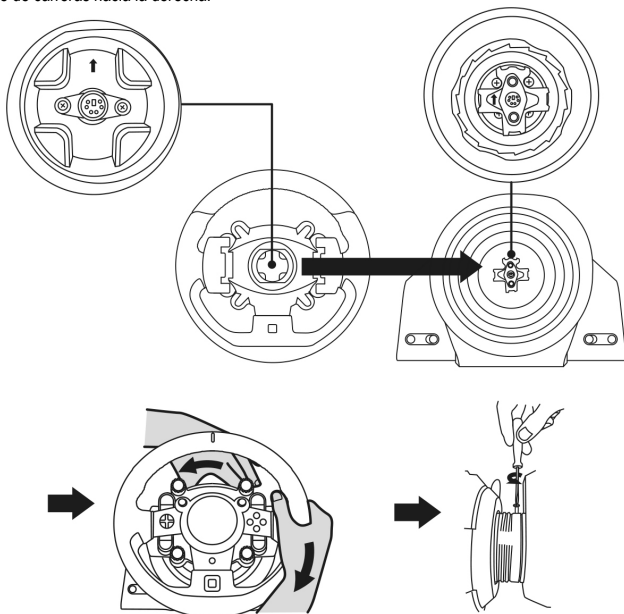
Alinea las posiciones de los conectores usando las flechas:

Conector de la base (1): Flecha apuntando hacia arriba

Conector del volante de carreras (2): Flecha apuntando hacia arriba

Una vez que los conectores estén colocados correctamente, simplemente gira el anillo del dispositivo Thrustmaster Quick Release (15) hacia la izquierda, mientras sostienes el volante de carreras (2) en su posición.

A continuación, aprieta el anillo todo lo que puedas: para ello, mantén el anillo en su posición y gira el volante de carreras hacia la derecha.



Una vez que hayas instalado el volante de carreras, gíralo 180° (cuando mires al volante, el logotipo de GT debería estar al revés) para acceder al pequeño tornillo de fijación situado en el anillo del dispositivo Thrustmaster Quick Release (15). Con un destornillador Phillips para apretar el tornillo de fijación (no utilices una fuerza excesiva), gíralo hacia la derecha.

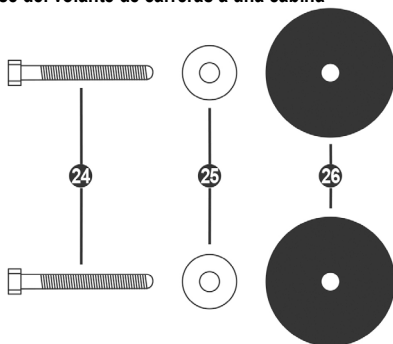


¡Al utilizar un destornillador Phillips, procura **NO** emplear una fuerza excesiva al apretar el tornillo pequeño de fijación!

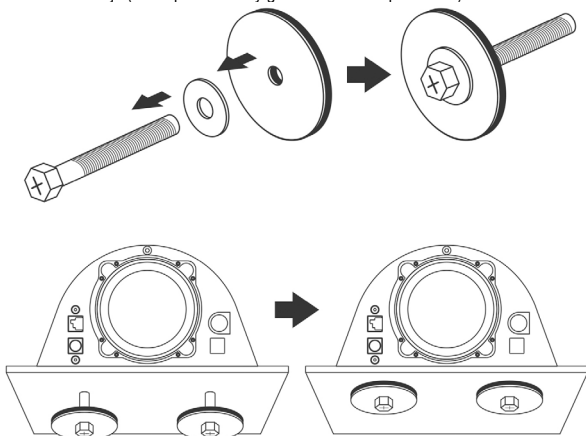
Deja de girar el tornillo en cuanto notes algo de resistencia.

FIJACIÓN DEL VOLANTE DE CARRERAS

Fijación de la base del volante de carreras a una cabina



- 24 2 tornillos de cabeza hexagonal tipo M6/cabeza Phillips
- 25 2 arandelas
- 26 2 discos de montaje (metal por un lado y goma texturizada por el otro)



1. Coloca las arandelas (25) en los lados metálicos de los discos de montaje (26), e inserta los tornillos de cabeza hexagonal tipo M6/cabeza Phillips (24).
2. Coloca la base del volante de carreras en el estante de la cabina.
3. Usando una llave de 10 mm o un destornillador con cabeza Phillips, atornilla el kit de montaje al estante de la cabina y a las 2 pequeñas roscas de tornillo situadas en la cara inferior del volante.

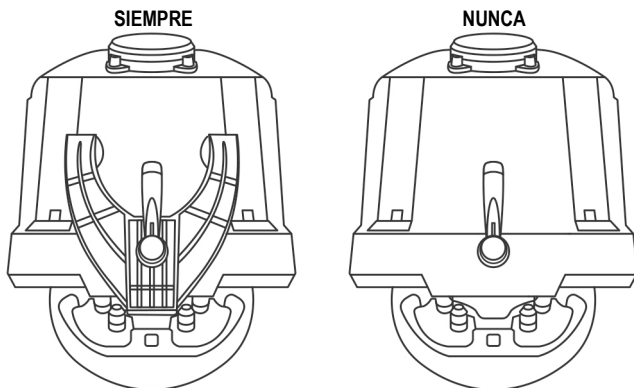
ATENCIÓN:

- ¡No quites las almohadillas de espuma situadas en la cara inferior de la base del volante de carreras! Las almohadillas de espuma amplifican los efectos del sistema T-DFB cuando el volante está montado.

- El lado de goma texturizada de los discos de montaje (26) debe colocarse obligatoriamente mirando hacia el estante de la cabina = no coloques nunca el lado metálico mirando hacia el estante de la cabina.

Fijación del volante de carreras a una mesa o un escritorio

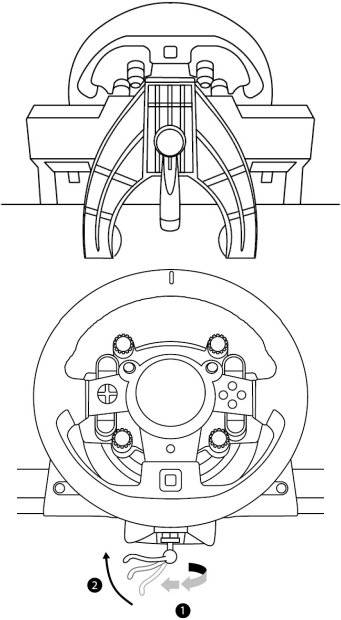
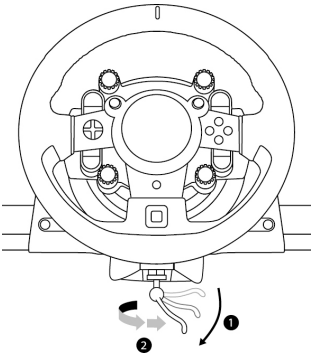
1. Coloca el volante de carreras en una mesa o en otra superficie horizontal, plana y estable.
2. Inserta el tornillo de sujeción (14) en el sistema de fijación (13) y, a continuación, aprieta el dispositivo girando el tornillo a la izquierda, para que entre en el agujero roscado grande (12) situado debajo del volante de carreras, hasta que el volante esté perfectamente estable.



ATENCIÓN:

- ¡No aprietes nunca el tornillo solo, sin el sistema de fijación en su sitio! (De hacerlo así, se podría dañar el volante).

- ¡No quites las almohadillas de espuma situadas en la cara inferior de la base del volante de carreras! Las almohadillas de espuma amplifican los efectos del sistema T-DFB cuando el volante está montado.

COLOCACIÓN / RETIRADA	INDICACIÓN
<p><u>Para apretar:</u></p> <p><i>Gira el tornillo hacia la izquierda</i></p>	
<p><u>Para aflojar:</u></p> <p><i>Gira el tornillo hacia la derecha</i></p>	

CONFIGURACIÓN DEL VOLANTE DE CARRERAS PARA CONSOLAS PS5™ Y CONSOLAS PS4™

1. Conecta los pedales a su conector (19) situado en la parte trasera de la base del volante de carreras.
2. Conecta la fuente de alimentación T-TURBO (21) a su conector (17).
3. Conecta el cable de la fuente de alimentación (22) a la fuente de alimentación T-TURBO, y enchufa el cable en un enchufe eléctrico con el mismo voltaje.
4. Pon el interruptor deslizante de USB (11) en la posición "OTHER" o "GT", en función del juego de PS5™ o el juego de PS4™ que estés usando.
5. Conecta el cable USB desmontable (23) a su conector (18) y a uno de los puertos USB de la consola PS5™ o la consola PS4™.
6. Una vez encendida la consola PS5™ o la consola PS4™, el volante de carreras se calibrará solo.
7. Pula el botón PS (9) en el volante de carreras e inicia sesión en tu cuenta de PlayStation™Network para que el volante funcione.

¡Ya estás preparado para jugar!

Notas importantes:

- No olvides pulsar el botón PS (9) en el volante de carreras para que el volante funcione.
- El interruptor deslizante USB (11) en la base del volante siempre se debe poner en la posición adecuada ("OTHER" o "GT") antes de conectar el cable USB del volante de carreras a tu consola. Para cambiar la posición del interruptor deslizante: desconecta el cable USB y luego pon el interruptor en la posición adecuada antes de volver a conectar el cable USB a la consola.
- La lista de juegos de PlayStation®5 y juegos de PlayStation®4 compatibles con el T-GT II (junto con la posición requerida del interruptor deslizante de USB (11) según el juego que estés usando) está disponible aquí: <https://support.thrustmaster.com> (en la sección Volantes de carreras/T-GT II). Esta lista se actualiza regularmente.

INTERRUPTOR DESLIZANTE DE USB (11) EN LA POSICIÓN "OTHER" PARA OTROS JUEGOS DE PS5™ Y JUEGOS DE PS4™ QUE NO SEAN GT SPORT

Cuando el interruptor deslizante USB (11) se pone en la posición "OTHER":

- * El sistema Force Feedback funciona, pero el sistema de efectos T-DFB (16) no.

INTERRUPTOR DESLIZANTE USB (11) EN LA POSICIÓN "GT" PARA EL JUEGO GT SPORT (Y OTROS JUEGOS DE GT FUTUROS)

Cuando el interruptor deslizante USB (11) se pone en la posición "GT":

- * El sistema Force Feedback y el sistema de efectos T-DFB (16) funcionan al mismo tiempo. En las opciones del juego GT Sport, el nivel de potencia de cada sistema se puede ajustar de manera independiente.

CONFIGURACIÓN DEL VOLANTE DE CARRERAS PARA PC*

*Compatibilidad con PC no avalada por Sony Interactive Entertainment Europe y Sony Interactive Entertainment LLC.

Para más información, visita <https://support.thrustmaster.com/>.

CALIBRACIÓN AUTOMÁTICA DEL VOLANTE Y DE LOS PEDALES

El volante de carreras se calibra solo automáticamente cuando enchufas el volante de carreras a la red eléctrica y conectas el conector USB del volante de carreras a la consola.

Durante esta fase, el volante de carreras girará rápidamente hacia la izquierda y la derecha, cubriendo un ángulo de 1080 grados, antes de detenerse en el centro.



ADVERTENCIA:

¡No toques nunca el volante de carreras durante la fase de autocalibración!
(Esto podría provocar una calibración incorrecta o lesiones personales).

CALIBRACIÓN AUTOMÁTICA DE LOS PEDALES

No conectes nunca los pedales a la base del volante (ni los desconectes de la base) cuando esté conectada a la consola o durante el juego (esto podría provocar una calibración incorrecta).

Conecta siempre los pedales antes de conectar el volante de carreras a la consola.

Una vez que se ha realizado la calibración del volante de carreras y el juego se ha ejecutado, los pedales se calibran automáticamente tras presionarlos unas cuantas veces.



ADVERTENCIA:

No pises nunca los pedales durante la fase de autocalibración del volante de carreras ni mientras se está cargando un juego!
(Esto podría provocar una calibración incorrecta).

Si el volante de carreras y los pedales no funcionan correctamente o la calibración parece incorrecta:

Apaga la consola, desconecta por completo el volante de carreras, vuelve a conectar todos los cables (utilizando el cable de fuente de alimentación y los pedales) y reinicia la consola y el juego.

SISTEMA DE REFRIGERACIÓN INTERNA DE LA BASE DEL VOLANTE

El sistema de refrigeración interna de la base del volante

- empieza a funcionar cuando el volante está encendido.
- se apaga tras unos minutos de inactividad si la temperatura interna desciende hasta un nivel bajo.
- se vuelve a encender cuando usas el volante.

BOTÓN MODE Y LUZ INDICADORA (10)

Botón MODE de los pedales

El T-GT II es compatible con los pedales de Thrustmaster que incluyan 3 pedales que te permitirán intercambiar electrónicamente los pedales del acelerador y el embrague.

Para ello, simplemente pulsa el botón MODE (10) durante 2 segundos.

La memoria interna del volante de carreras almacena si los pedales se han intercambiado o no.

PEDALES DEL ACELERADOR Y EL EMBRAGUE	Color de la luz indicadora MODE (10)
NORMAL	ROJO
INTERCAMBIADOS	VERDE

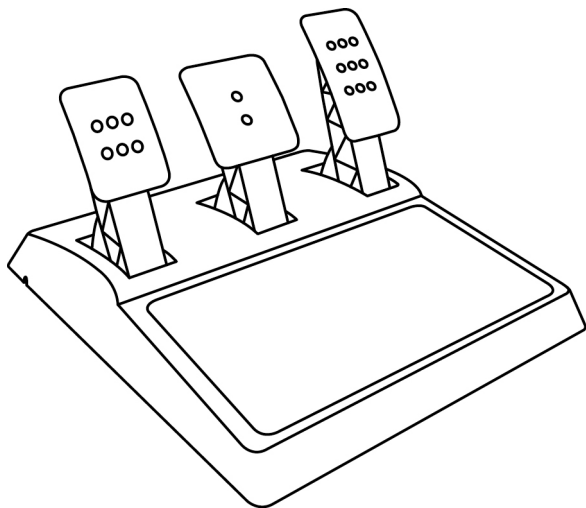
Otros consejos para el botón MODE

Para obtener más información sobre el botón MODE y la luz indicadora, visita <https://support.thrustmaster.com/>. Haz clic en **Volantes de carreras/T-GT II** y luego selecciona **Manual** o **PF**.

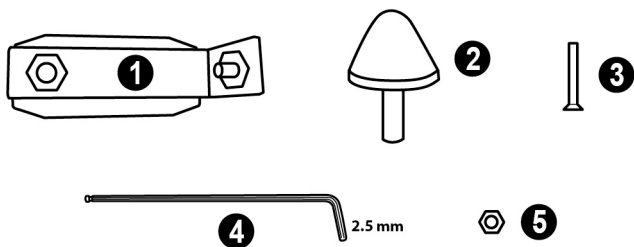
ARCHIVOS DE AYUDA Y FAQ

Visita <https://support.thrustmaster.com/>. Haz clic en **Volantes de carreras/T-GT II** y luego selecciona **Manual** o **PF**.

PEDALES **T-GT II EDITION**

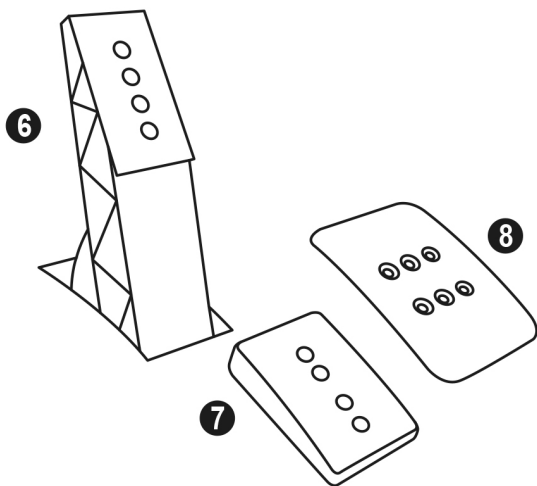


CARACTERÍSTICAS TÉCNICAS



- 1 Soporte metálico para tope cónico
*(no está instalado de forma
predeterminada)*
- 2 Tope cónico

- 3 Tornillo de sujeción de soporte metálico
- 4 Llave Allen de 2,5 mm (incluida)
- 5 Tuerca de ajuste de posición para tope cónico



- 6 Brazo del pedal de metal
- 7 Soporte de cabeza de plástico

- 8 Cabeza del pedal metálica

AVISO

Antes de utilizar este producto, asegúrate de leer detenidamente estas instrucciones y guárdalas para poder consultarlas en el futuro.



Por motivos de seguridad, no utilizar nunca los pedales con los pies desnudos o únicamente con calcetines en los pies.
THRUSTMASTER® DECLINA TODA RESPONSABILIDAD EN CASO DE LESIONES PRODUCTO DEL USO DE LOS PEDALES SIN CALZADO.



Advertencia – Peligro de pillarse con los pedales durante las sesiones de juego

- * Mantén los pedales fuera del alcance de los niños.
- * Durante las sesiones de juego, no pongas nunca los dedos en los lados de los pedales ni cerca de ellos.
- * Durante las sesiones de juego, no pongas nunca los dedos en la base trasera de los pedales ni cerca de ella.
- * Durante las sesiones de juego, no pongas nunca los dedos en la base delantera de los pedales ni cerca de ella.

NUNCA



NUNCA



NUNCA



CALIBRACIÓN AUTOMÁTICA DE LOS PEDALES



IMPORTANTE:

- No conectes ni desconectes nunca los pedales de la base del volante cuando el volante esté conectado a un PC, una consola PS5™ o una consola PS4™, ni durante las sesiones de juego, para evitar problemas de calibración.
- Conecta siempre los pedales al volante antes de conectar el volante a un PC, una consola PS5™ o una consola PS4™.
- Una vez que el volante se ha autocalibrado y el juego ha comenzado, los pedales se autocalibran automáticamente tras presionarlos varias veces.
- No presiones nunca los pedales cuando el volante se está autocalibrando o cuando el juego está arrancando, para evitar problemas de calibración.
- Si los pedales no están funcionando correctamente o parece que no están calibrados adecuadamente, apaga la consola, desconecta por completo el volante y, a continuación, vuelve a conectar todos los cables (incluyendo el cable de la fuente de alimentación y el de los pedales), vuelve a encender la consola y reinicia el juego.

FIJACIÓN DE LOS PEDALES A UNA CABINA

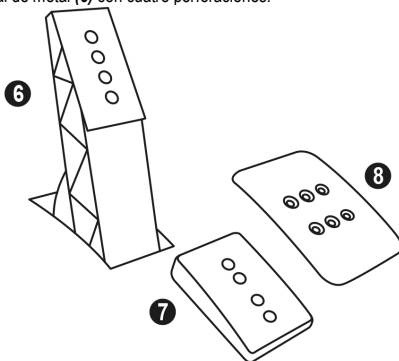
- Fija los pedales con las roscas de tornillo pequeñas situadas en la cara inferior de los pedales.
- Atornilla dos tornillos M6 (no incluidos) en la placa de soporte de los pedales en la cabina y en las dos roscas de tornillo pequeñas situadas en la cara inferior de los pedales.

Importante: La longitud de los dos tornillos M6 no debe superar el grosor de la placa de soporte de los pedales en la cabina más 10 mm adicionales, para evitar dañar los componentes internos de los pedales.

AJUSTE DE LOS PEDALES

Cada uno de los tres pedales incluye:

- Una cabeza metálica (8) con varias perforaciones (nueve para el acelerador, dos para el freno y seis para el embrague).
- Un soporte de cabeza de plástico (7) (situado entre la cabeza y el brazo) con cuatro perforaciones.
- Un brazo del pedal de metal (6) con cuatro perforaciones.

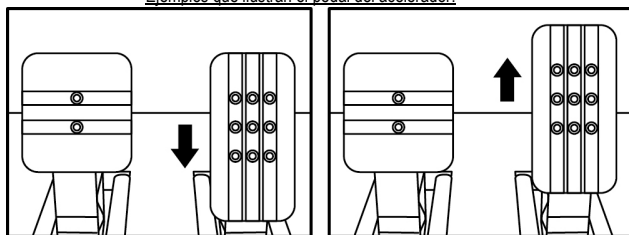


ATENCIÓN: Para evitar problemas de calibración, asegúrate de desconectar siempre el cable USB del volante de la consola PS5™ o la consola PS4™ antes de hacer ajustes en los pedales.

Ajuste de la ALTURA del pedal del acelerador

- Con la llave Allen de 2,5 mm incluida (4), desatornilla los dos tornillos que sujetan la cabeza metálica (8) y su soporte (7) en su sitio.
- Selecciona la posición de altura que prefieras y luego vuelve a colocar y apretar los tornillos de forma que la cabeza metálica (8) y su soporte (7) queden sujetos firmemente en su sitio.

Ejemplos que ilustran el pedal del acelerador:



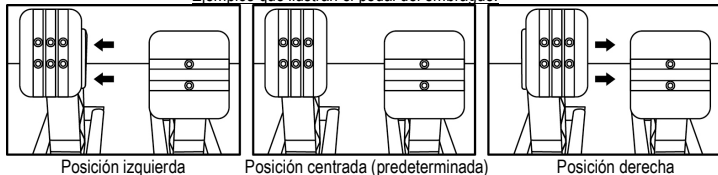
Posición baja

Posición alta

Ajuste del ESPACIADO del pedal del acelerador y el pedal del embrague

- Con la llave Allen de 2,5 mm incluida (4), desatornilla los dos tornillos que sujetan la cabeza metálica (8) y su soporte (7) en su sitio.
- Selecciona la posición que prefieras (a la izquierda, centrada o a la derecha) y, a continuación, vuelve a colocar y apretar los tornillos de forma que la cabeza metálica (8) y su soporte (7) queden sujetos firmemente en su sitio.

Ejemplos que ilustran el pedal del embrague:



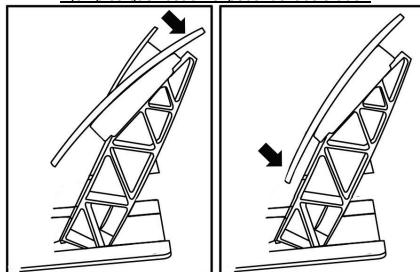
Número de posiciones de espaciado posibles por pedal:

- Tres para el pedal del acelerador
- Tres para el pedal del embrague

Ajuste de la INCLINACIÓN de los 3 pedales

- Con la llave Allen de 2,5 mm incluida (4), desatornilla los dos tornillos que sujetan la cabeza metálica (8) y su soporte (7) en su sitio.
- Gira el soporte de cabeza de plástico (7) 180° y, a continuación, vuelve a colocar y apretar los tornillos de forma que la cabeza metálica (8) y su soporte (7) queden sujetos firmemente.

Ejemplos que ilustran el pedal del acelerador:



Número de posiciones de inclinación posibles por pedal:

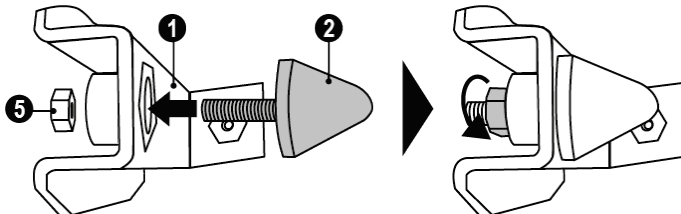
- Dos para el pedal del acelerador
- Dos para el pedal del freno
- Dos para el pedal del embrague

Instalación del tope cónico (mod “CONICAL RUBBER BRAKE”)

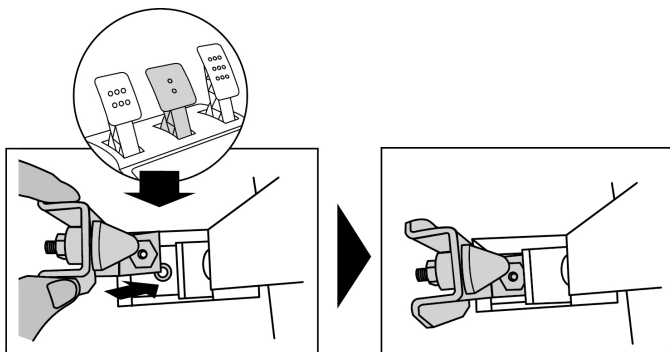
Esta modificación (o “mod”) no es esencial y no se instala de forma predeterminada. Esto significa que el pedal del freno funciona perfectamente aunque no esté instalado el mod.

Este mod te permite experimentar una resistencia y sensación diferentes al frenar. Depende de ti instalarlo o no, en función de tus preferencias.

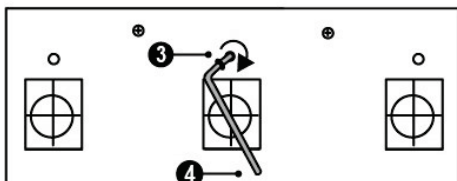
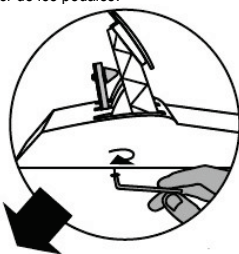
- Atornilla el tope cónico (2) en su soporte metálico (1).
- Atornilla la tuerca de ajuste de posición (5) en la parte inferior (en la rosca de tornillo del tope cónico).



- Coloca la unidad en la parte trasera del brazo del pedal del freno.



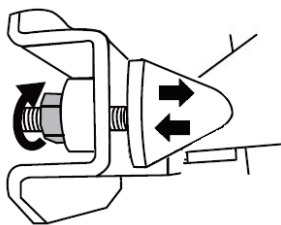
- Con la llave Allen de 2,5 mm incluida (4), fija la unidad con el tornillo de sujeción (3) y la rosca de tornillo central pequeña situada en la cara inferior de los pedales.



¡Ya está instalado el mod "CONICAL RUBBER BRAKE"!

Ajuste del RANGO de desplazamiento y la RESISTENCIA del pedal del freno

Si desatornillas ligeramente la tuerca (5), puedes reforzar más la resistencia del pedal del freno moviendo el tope cónico (2) más cerca de la parte trasera del brazo del pedal (si es necesario, usa una llave de 14 mm o unos alicates para volver a apretar la tuerca y mantener la posición seleccionada). Cuanto más cerca esté colocado el tope cónico de la parte trasera del brazo del pedal, mayor será la resistencia.



Nota: Cuando el tope cónico está muy cerca de la parte trasera del brazo del pedal del freno, puedes experimentar dificultades para alcanzar el valor de calibración máximo. Si eso sucediera:

- * Lentamente, presiona muy fuerte el pedal del freno para que alcance el valor máximo (si es necesario, descansa muy brevemente sobre el pedal, sólo durante un segundo) y, a continuación, libera la presión; o por el contrario
- * Desplaza el tope cónico un poco más lejos de la parte trasera del brazo del pedal del freno.

INFORMACIÓN DE GARANTÍA AL CONSUMIDOR

En todo el mundo, Guillemot Corporation S.A., cuyo domicilio legal se encuentra en Place du Granier, B.P. 97143, 35571 Chantepie, Francia (en lo sucesivo "Guillemot") garantiza al consumidor que este producto de Thrustmaster estará libre de defectos de materiales y mano de obra, durante un período de garantía que corresponde al límite de tiempo para interponer una acción legal referida a la conformidad en relación con este producto. En los países de la Unión Europea, esto corresponde a un período de dos (2) años a partir de la entrega del producto de Thrustmaster. En otros países, el período de garantía corresponde al límite de tiempo para interponer una acción legal referida a la conformidad en relación con este producto de Thrustmaster según las leyes aplicables del país en el que el consumidor estuviese domiciliado en la fecha de compra del producto de Thrustmaster (si no existiese una acción similar en el país correspondiente, entonces el período de garantía será de un (1) año a partir de la fecha de compra original del producto de Thrustmaster).

Si el producto resultase defectuoso durante el período de garantía, hay que ponerse en contacto inmediatamente con el Soporte Técnico, que indicará el procedimiento a seguir. Si se confirma el defecto, el producto debe devolverse a su lugar de compra (o a cualquier otra ubicación indicada por el Soporte Técnico).

Dentro del contexto de esta garantía, el producto defectuoso del consumidor será sustituido o restaurado su funcionamiento correcto. Si, durante el período de garantía, el producto de Thrustmaster fuese sometido a dicho reacondicionamiento, cualquier período de cómo mínimo siete (7) días durante el que el producto no se pueda usar se añadirá al período de garantía restante (este período va desde la fecha de petición de intervención del consumidor o desde la fecha en la que el producto se entrega para el reacondicionamiento, si la fecha en la que el producto se entrega para el reacondicionamiento fuese posterior a la fecha de la petición de intervención). Si la ley aplicable lo permite, toda la responsabilidad de Guillemot y sus filiales (incluso por daños resultantes) se limita a la restauración del funcionamiento correcto o la sustitución del producto de Thrustmaster. Si la ley aplicable lo permite, Guillemot renuncia a todas las garantías de comerciabilidad o adecuación para un propósito determinado.

Esta garantía no se aplicará: (1) si el producto ha sido modificado, abierto, alterado o ha sufrido daños como resultado de un uso inapropiado o abuso, negligencia, accidente, desgaste normal, o cualquier otra causa no relacionada con un defecto de materiales o fabricación (incluyendo, pero no de forma exclusiva, la combinación del producto de Thrustmaster con cualquier elemento no adecuado, incluyendo en particular fuentes de alimentación, baterías recargables, cargadores o cualquier otro elemento no suministrado por Guillemot para este producto); (2) si el producto se ha empleado para otro uso distinto del doméstico, incluyendo fines profesionales o comerciales (salones de juego, entrenamiento, competiciones, por ejemplo); (3) en caso de incumplimiento de las instrucciones proporcionadas por el Soporte Técnico; (4) a software, es decir software sujeto a una garantía específica; (5) a consumibles (elementos que se tienen que reemplazar a lo largo de la vida del producto: por ejemplo, baterías desechables o almohadillas para auriculares de audio); (6) a accesorios (por ejemplo, cables, cajas, bolsas, bolsos o muñequeras); (7) si el producto se ha vendido en una subasta pública.

Esta garantía no es transferible.

Los derechos legales del consumidor en relación con las leyes aplicables a la venta de productos de consumo de su país no se ven afectados por esta garantía.

Provisiones de garantía adicionales

Durante el periodo de garantía, Guillemot no proporcionará, en principio, ninguna pieza de repuesto, ya que el Soporte Técnico es el único autorizado para abrir y/o reacondicionar los productos de Thrustmaster (con la excepción de los procedimientos de reacondicionamiento que el Soporte técnico puede solicitar que lleve a cabo el consumidor, mediante instrucciones por escrito – por ejemplo, debido a la simplicidad y la falta de confidencialidad del proceso de reacondicionamiento – y suministrando al consumidor las piezas de repuesto necesarias, si hiciese falta).

Debido a sus ciclos de innovación y para proteger su know-how y secretos comerciales, Guillemot no proporcionará, en principio, ninguna pieza de repuesto ni instrucciones de reacondicionamiento para los productos de Thrustmaster cuyo periodo de garantía haya vencido.

En los Estados Unidos de América y en Canadá, esta garantía está limitada al mecanismo interno del producto y al alojamiento externo. En ningún caso, Guillemot ni sus filiales serán responsables ante terceros por daños resultantes o fortuitos resultado del incumplimiento de cualquier garantía expresa o implícita. En algunos estados o provincias no se permite la limitación de la duración de una garantía implícita ni la exclusión o limitación de responsabilidad por daños resultantes o fortuitos, por lo que las limitaciones o exclusiones anteriores pueden no ser aplicables. Esta garantía ofrece derechos legales específicos al consumidor, que también puede tener otros derechos que pueden variar de un estado a otro o de una provincia a otra.

Responsabilidad

Si la ley aplicable lo permite, Guillemot Corporation S.A. (en lo sucesivo "Guillemot") y sus filiales renuncian a toda responsabilidad por los daños causados por uno o más de los siguientes motivos: (1) el producto ha sido modificado, abierto o alterado; (2) incumplimiento de las instrucciones de montaje; (3) uso inapropiado o abuso, negligencia, accidente (un impacto, por ejemplo); (4) desgaste normal; (5) el producto se ha empleado para otro uso distinto del doméstico, incluyendo fines profesionales o comerciales (salones de juego, entrenamiento, competiciones, por ejemplo). Si la ley aplicable lo permite, Guillemot y sus filiales renuncian a toda responsabilidad por los daños no relacionados con defectos de materiales o fabricación en relación con el producto (incluyendo, pero no de forma exclusiva, los daños causados de forma directa o indirecta por cualquier software, o por combinar el producto de Thrustmaster con cualquier elemento no adecuado, incluyendo en particular fuentes de alimentación, baterías recargables, cargadores o cualquier otro elemento no suministrado por Guillemot para este producto).

DECLARACIÓN DE CONFORMIDAD

NOTICIA DE CONFORMIDAD EN USA: este dispositivo cumple con los límites para dispositivos de computación de Clase B de acuerdo con la Parte 15 de las reglas FCC.

THRUSTMASTER®

SOPORTE TÉCNICO

<https://support.thrustmaster.com>



COPYRIGHT

© 2021 Guillemot Corporation S.A. Todos los derechos reservados. Thrustmaster® es una marca comercial registrada de Guillemot Corporation S.A. Fabricado y distribuido por Guillemot Corporation S.A. Todas las demás marcas comerciales y nombres de marca se reconocen por la presente y son propiedad de sus respectivos dueños. Los contenidos, diseños y especificaciones están sujetos a cambios sin previo aviso y pueden variar de un país a otro. Fotos e ilustraciones no vinculantes. Diseñado en Norteamérica y Europa, fabricado en China.

Para usar exclusivamente con consolas PlayStation®5 y consolas PlayStation®4.

“PS”, “PlayStation”, “PSS”, and “PS4” son marcas comerciales registradas o marcas comerciales de Sony Interactive Entertainment Inc. Todos los derechos reservados. Todas las demás marcas comerciales son propiedad de sus respectivos dueños. Fabricado y distribuido con licencia de Sony Interactive Entertainment LLC.

Gran Turismo y el logotipo de Gran Turismo son marcas comerciales registradas o marcas comerciales de Sony Interactive Entertainment Inc.

Tecnología TouchSense® con licencia de Immersion Software Ireland Limited. Protegido por una o más de las patentes de Estados Unidos disponibles en la siguiente dirección: www.immersion.com/patent-marking.html, y otras patentes pendientes.

RECOMENDACIÓN DE PROTECCIÓN AMBIENTAL



* En la Unión Europea, Reino Unido y Turquía: Al terminar su vida útil, este producto no debe tirarse en un contenedor de basuras estándar, sino que debe dejarse en un punto de recogida de desechos eléctricos y equipamiento electrónico para ser reciclado.

Esto viene confirmado por el símbolo que se encuentra en el producto, manual del usuario o embalaje.

Dependiendo de sus características, los materiales pueden reciclarse. Mediante el reciclaje y otras formas de procesamiento de los desechos eléctricos y el equipamiento electrónico puedes contribuir de forma significativa a ayudar a proteger el medio ambiente.

Contacta con las autoridades locales para más información sobre el punto de recogida más cercano.

Para los demás países: cumpla las leyes locales sobre reciclaje de equipos eléctricos y electrónicos.

Esta información debe conservarse. Los colores y motivos decorativos pueden variar. Los adhesivos y los cierres de plástico se deben quitar del producto antes de utilizarlo.

www.thrustmaster.com

**Aplicable únicamente a la UE, Reino Unido y Turquía*

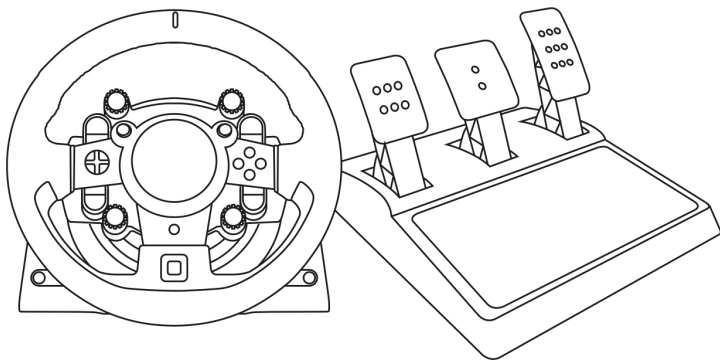


immersion.

T-GT II

Para consolas PlayStation®5 e consolas PlayStation®4

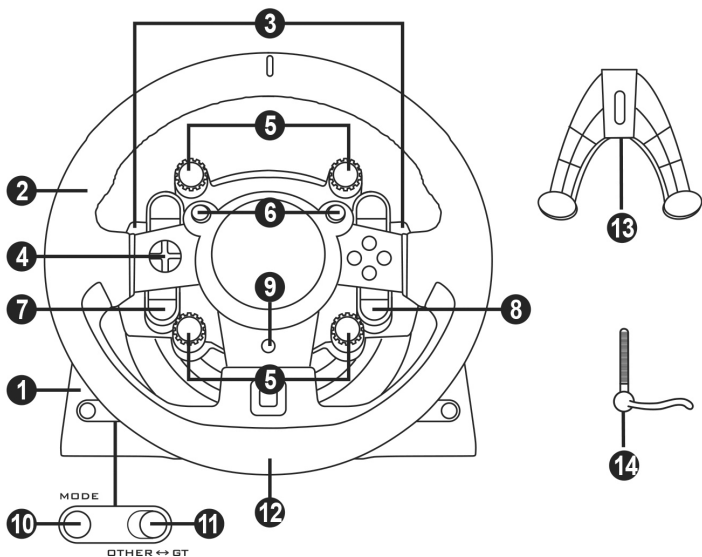
Manual do Utilizador



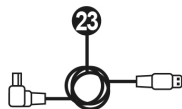
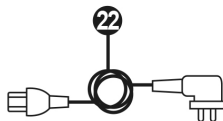
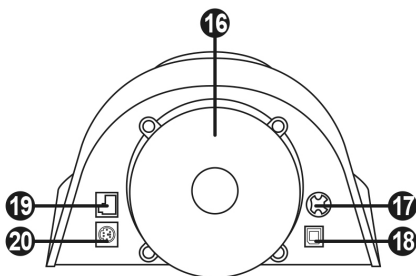
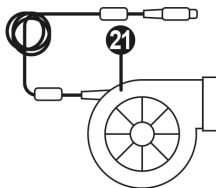
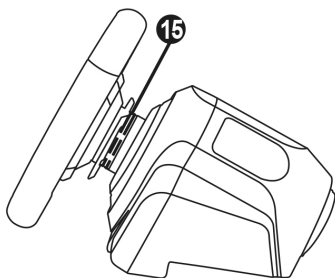
ATENÇÃO:

Para garantir que o seu volante T-GT II funciona corretamente com jogos, poderá ser-lhe pedido para instalar as atualizações automáticas dos jogos (disponível quando a consola está ligada à Internet).

CARACTERÍSTICAS TÉCNICAS



- | | |
|--|---|
| 1 Base do T-GT II | 8 Botão OPTIONS |
| 2 Volante T-GT II | 9 Botão PS |
| 3 2 pás de mudança de velocidades sequenciais (para cima e para baixo) | 10 Botão MODE + luz indicadora vermelha/verde |
| 4 D-Pad multidirecional | 11 Seletor deslizante USB integrado: OTHER / GT |
| 5 4 seletores giratórios com função de pressão | 12 Furo roscado grande (para o sistema de fixação e parafuso de aperto) |
| 6 2 minialavancas | 13 Sistema de fixação |
| 7 Botão SHARE/CREATE | 14 Parafuso de aperto de metal |



- 15 Thrustmaster Quick Release
- 16 Sistema de efeitos T-DFB (*compatível apenas com as consolas PS5™ e consolas PS4™ no modo GT*)
- 17 Conector para a fonte de alimentação T-TURBO
- 18 Conector para o cabo USB amovível
- 19 Conector para conjunto de pedais
- 20 Conector para a alavanca de velocidades TH8A (*alavanca de velocidades vendida à parte*)
- 21 Fonte de alimentação T-TURBO
- 22 Cabo da fonte de alimentação
- 23 Cabo USB amovível

LIGAR O VOLANTE A UMA TOMADA ELÉTRICA: LEIA ATENTAMENTE!



Nunca ligue a fonte de alimentação T-TURBO a uma tomada elétrica de tensão diferente! A tensão da fonte de alimentação T-TURBO é indicada na etiqueta situada por cima do conector fêmea para o cabo da fonte de alimentação.



Nunca ligue outra fonte de alimentação à base do T-GT II além da fonte de alimentação T-TURBO, mesmo que o conector seja compatível! Por exemplo, nunca ligue o transformador do volante T500 RS à base do T-GT II.

AVISOS

Antes de utilizar este produto, leia atentamente este manual e guarde-o para posterior consulta.



Atenção – Choque elétrico

- * Guarde o produto num local seco e não o exponha ao pó nem à luz do sol.
- * Não torça nem puxe os conectores e os cabos.
- * Não derrame líquidos sobre o produto ou os respetivos conectores.
- * Não provoque um curto-circuito no produto.
- * Nunca desmonte o produto, não o atire para o fogo nem o exponha a temperaturas elevadas.
- * Não utilize um cabo de alimentação diferente do fornecido com o volante.
- * Não utilize o cabo de alimentação se o cabo ou os conectores estiverem danificados, fendidos ou partidos.
- * Certifique-se de que o cabo de alimentação está corretamente ligado a uma tomada elétrica, assim como ao conector situado na parte posterior da base do volante.
- * Não abra o volante: não contém peças utilizáveis pelo utilizador no interior. Todas as reparações devem ser realizadas pelo fabricante, pelo seu representante autorizado ou por um técnico qualificado.
- * Utilize apenas sistemas de fixação/acessórios especificados pelo fabricante.
- * Se o volante estiver a funcionar de forma anormal (se emite quaisquer sons, calor ou cheiros anormais), pare imediatamente de utilizá-lo, desligue o cabo de alimentação da tomada e desligue os outros cabos.
- * Se não utilizar o volante durante um longo período de tempo, desligue o respetivo cabo de alimentação da tomada elétrica.
- * A tomada elétrica deve estar situada perto do equipamento e facilmente acessível.

Informação para adaptador de alimentação de 220 V

Informações publicadas	Valor	Unidade
Nome ou marca comercial do fabricante, número de registo comercial e morada	GUILLEMOT CORPORATION S.A. 414 196 758 Rennes Place du Granier BP 97143 35571 Chantepie Cedex França	
Identificador do modelo	Turbo Power 220V	
Tensão de entrada	220 - 240	V
Frequência de CA de entrada	50 / 60	Hz
Tensão de saída	24,0	V CA
Corrente de saída	4,0	A
Potência de saída	96,0	W
Eficiência ativa média	90,9	%
Eficiência com carga baixa (10%)	86,8	%
Consumo de energia sem carga	0,01	W



Aberturas de ventilação

Certifique-se de que não tapa as aberturas de ventilação na base do volante. Para uma ventilação ideal, certifique-se do seguinte:

- * Posicione a base do volante a pelo menos 10 cm de distância de quaisquer paredes.
- * Não coloque a base em espaços apertados.
- * Não tape a base.
- * Não deixe que pó se acumule nas aberturas de ventilação.



**Por razões de segurança, nunca utilize o conjunto de pedais com os pés descalços ou apenas com meias calçadas nos pés.
A THRUSTMASTER® NÃO ASSUME QUALQUER RESPONSABILIDADE NA
EVENTUALIDADE DE DANOS FÍSICOS RESULTANTES DA UTILIZAÇÃO DO
CONJUNTO DE PEDAIS SEM CALÇADO.**



Atenção – Ferimentos resultantes dos efeitos Force Feedback e dos movimentos repetidos

Jogar com um volante Force Feedback poderá causar dores musculares ou articulares. Para evitar quaisquer problemas:

- * Evite jogar durante longos períodos de tempo.
- * Faça um intervalo de 10 a 15 minutos após cada hora de jogo.
- * Se sentir cansaço ou dores nas mãos, pulsos, braços, pés ou pernas, pare de jogar e descanse durante algumas horas antes de recomeçar a jogar.
- * Se os sintomas ou as dores acima indicados persistirem quando recomeçar a jogar, pare de jogar e consulte o seu médico.
- * Guarde o volante fora do alcance das crianças.
- * Durante o jogo, mantenha sempre ambas as mãos posicionadas corretamente no volante sem largá-lo por completo.
- * Durante o jogo, nunca coloque as mãos ou os dedos por baixo dos pedais ou perto do conjunto de pedais.
- * Durante a calibração e o jogo, nunca coloque a mão ou o braço através das aberturas existentes no volante.
- * Certifique-se de que a base do volante está devidamente fixada, de acordo com as instruções do manual.

PRODUTO PESADO

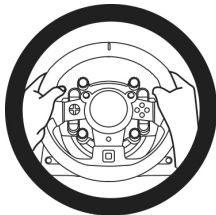


Produto para ser manuseado apenas por utilizadores com 16 anos de idade ou mais



Tenha cuidado para não deixar cair o produto em cima de si ou de outra pessoa!

SEMPRE



NUNCA



NUNCA



Atenção – Perigo de entalamento no conjunto de pedais ao jogar

- * Guarde o conjunto de pedais fora do alcance das crianças.
- * Quando jogar, nunca coloque os dedos nos lados dos pedais nem perto dos mesmos.
- * Quando jogar, nunca coloque os dedos na base posterior dos pedais nem perto da mesma.
- * Quando jogar, nunca coloque os dedos na base frontal dos pedais nem perto da mesma.

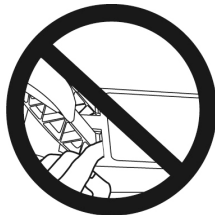
NUNCA



NUNCA



NUNCA



Atenção – Perigo de entalamento no conjunto de pedais em inatividade

- * Guarde o conjunto de pedais num local seguro e fora do alcance das crianças.

ATUALIZAR O FIRMWARE DO VOLANTE

O firmware incluído na base do volante pode ser atualizado para uma versão mais recente que inclua melhoramentos do produto.

Para visualizar a versão do firmware que o volante utiliza atualmente e atualizá-la, se necessário: no PC, aceda a <https://support.thrustmaster.com/>. Clique em **Volantes / T-GT II**, em seguida selecione **Firmware** e siga as instruções que descrevem o procedimento de transferência e instalação.

Observação importante:

No PC, o interruptor USB(11) na base do volante deve sempre permanecer na posição OTHER.

INSTALAR O VOLANTE NA RESPECTIVA BASE

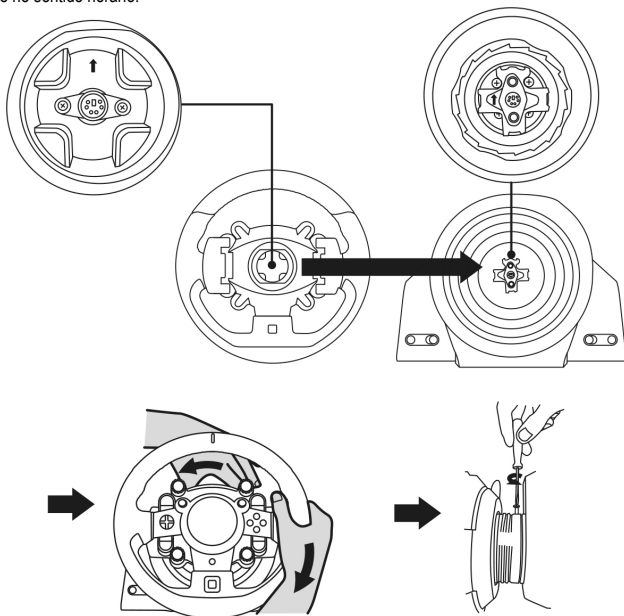
Alinhe as posições dos conectores com as setas:

Conector da base (1): Setas apontar para cima

Conector do volante (2): Setas apontar para cima

Assim que os conectores estiverem posicionados corretamente, rode o anel do dispositivo Thrustmaster Quick Release (15) no sentido anti-horário enquanto mantém o volante (2) na posição.

Em seguida, aperte o anel o máximo que conseguir; para tal, mantenha o anel na posição e rode o volante no sentido horário.



Depois de instalar o volante, rode-o 180° (quando está virado de frente para o volante, o logótipo GT deve ficar virado ao contrário) para aceder ao parafuso de fixação pequeno situado no anel do dispositivo Thrustmaster Quick Release (15). Utilize uma chave de fendas Phillips grande para apertar o parafuso de fixação pequeno (não aplique força excessiva), rodando-o no sentido horário.

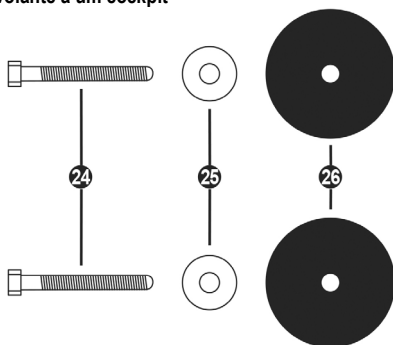


Quando utilizar uma chave de fendas Philips, **NÃO** aplique uma força excessiva ao apertar o pequeno parafuso de fixação!

Pare de rodar o parafuso assim que sentir alguma resistência.

FIXAR O VOLANTE

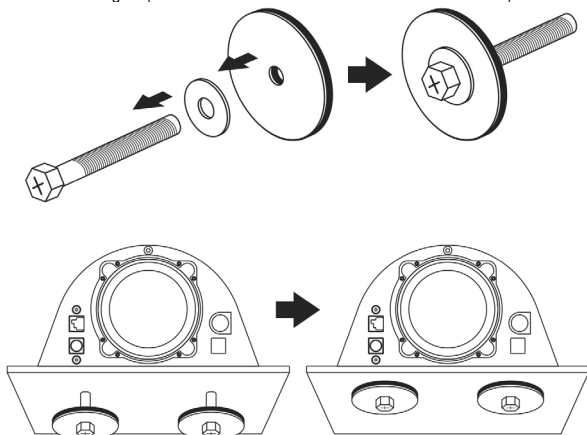
Fixar a base do volante a um cockpit



24 2 parafusos M6 sextavados/Phillips

25 2 anilhas

26 2 discos de montagem (metal numa das faces e borracha texturada na outra)



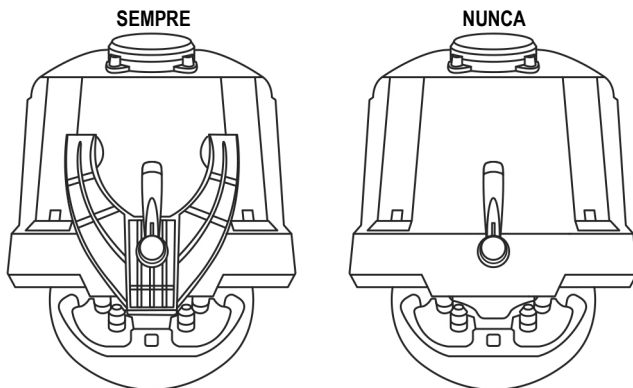
1. Posicione as anilhas (25) nas faces de metal dos discos de montagem (26) e insira os parafusos M6 sextavados/Phillips (24).
2. Coloque a base do volante na prateleira do cockpit.
3. Com uma chave de bocas de 10 mm ou uma chave de fendas Phillips, aparafuse o conjunto de montagem do cockpit à prateleira do cockpit e nas 2 roscas de parafuso pequenas situadas na parte inferior do volante.

ATENÇÃO:

- Não remova as almofadas de espuma situadas na parte inferior da base do volante! As almofadas de espuma amplificam os efeitos do sistema T-DFB quando o volante está instalado.
- A face de borracha texturada dos discos de montagem (26) deve ficar virada obrigatoriamente para a prateleira do cockpit = nunca posicione a face de metal virada para a prateleira do cockpit.

Fixar o volante a uma mesa ou secretária

1. Coloque o volante sobre uma mesa ou de qualquer outra superfície horizontal, plana e estável.
2. Insira o parafuso de aperto (11) no sistema de fixação (10), em seguida aperte o dispositivo rodando o parafuso no sentido anti-horário, de forma que penetre no furo roscado grande (9) situado por baixo do volante, até o volante estar perfeitamente estável.



ATENÇÃO:

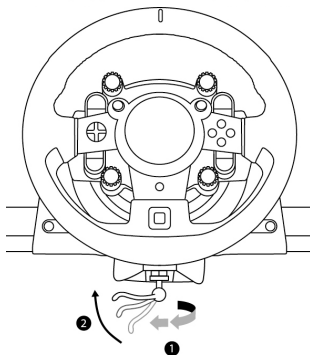
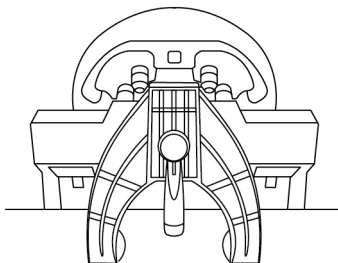
- Nunca aperte apenas o parafuso, sem o sistema de fixação instalado! (Se o fizer, poderá danificar o volante.)
- Não remova as almofadas de espuma situadas na parte inferior da base do volante! As almofadas de espuma amplificam os efeitos do sistema T-DFB quando o volante está instalado.

**FIXAÇÃO /
REMOÇÃO**

DIREÇÃO

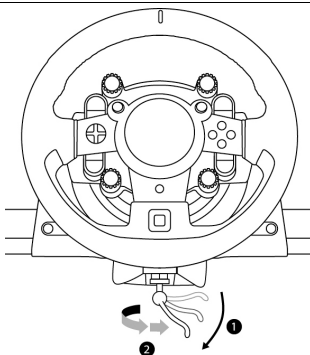
Para apertar:

***Rode o parafuso
no sentido anti-
horário***



Para soltar:

***Rode o parafuso
no sentido horário***



CONFIGURAR O VOLANTE PARA CONSOLAS PS5™ E CONSOLAS PS4™

1. Ligue o conjunto de pedais ao respetivo conector (19) situado na parte posterior da base do volante.
2. Ligue a fonte de alimentação T-TURBO (21) ao respetivo conector (17).
3. Ligue o cabo da fonte de alimentação (22) à fonte de alimentação T-TURBO e em seguida ligue o cabo a uma tomada elétrica da mesma tensão.
4. Regule o seletor deslizante USB (11) para a posição "OTHER" ou "GT", consoante o jogo para a PS5™ ou o jogo para a PS4™ que estiver a utilizar.
5. Ligue o cabo USB amovível (23) ao respetivo conector (18) e a uma das portas USB na consola PS5™ ou consola PS4™.
6. Assim que a consola PS5™ ou consola PS4™ for ligada, o volante irá autocalibrar-se.
7. Prima o botão PS (9) no volante e inicie sessão na sua conta PlayStation™Network para poder utilizar o volante.

Está pronto para começar a jogar!

Notas importantes:

- Não se esqueça de premir o botão PS (9) no volante, para que o volante fique funcional.
- O seletor deslizante USB (11) na base do volante deve ser sempre ajustado para a posição correta ("OTHER" ou "GT") antes de ligar o cabo USB do volante à consola.
Para alterar a posição do seletor deslizante: desligue o cabo USB e regular o seletor para a posição adequada antes de voltar a ligar o cabo USB à consola.
- A lista de jogos para a PlayStation®5 e de jogos para a PlayStation®4 compatíveis com o T-GT II (juntamente com a posição necessária do seletor deslizante USB (11) consoante o jogo que estiver a utilizar) está disponível aqui: <https://support.thrustmaster.com> (na secção Volantes/T-GT II). Esta lista é atualizada regularmente.

SELETOR DESLIZANTE USB (11) NA POSIÇÃO "OTHER" PARA JOGOS PARA A PS5™ E JOGOS PARA A PS4™ ALÉM DE GT SPORT

Quando o seletor deslizante USB (11) está ajustado para a posição "OTHER":

- * O sistema Force Feedback está funcional, mas o sistema de efeitos T-DFB (16) não.

SELETOR DESLIZANTE USB (11) NA POSIÇÃO "GT" PARA O JOGO GT SPORT (E OUTRO JOGOS GT FUTUROS)

Quando o seletor deslizante USB (11) está ajustado para a posição "GT":

- * O sistema Force Feedback e o sistema de efeitos T-DFB (16) estão ambos funcionais em simultâneo. Nas opções do jogo GT Sport, o nível de potência de cada sistema pode ser ajustado independentemente.

CONFIGURAR O VOLANTE PARA O PC*

* Compatibilidade com o PC não aprovada pela Sony Interactive Entertainment Europe e Sony Interactive Entertainment LLC.

Para mais informações, aceda a <https://support.thrustmaster.com/>.

CALIBRAGEM AUTOMÁTICA DO VOLANTE E DO CONJUNTO DE PEDAIS

O volante calibra-se automaticamente quando liga o volante a uma tomada elétrica e o conector USB do volante à consola.

Durante esta fase, o volante roda rapidamente para a esquerda e direita, cobrindo um ângulo de 1080 graus, antes de parar no centro.



ATENÇÃO:

Nunca toque no volante durante a fase de autocalibragem!
(Isto poderá resultar numa calibragem incorreta e/ou em ferimentos pessoais.)

CALIBRAGEM AUTOMÁTICA DO CONJUNTO DE PEDAIS

Nunca ligue o conjunto de pedais à base do volante (nem o desligue da base) quando estiver ligado à consola ou durante o jogo (isto poderá resultar numa calibragem incorreta).

Ligue sempre o conjunto de pedais antes de ligar o volante à consola.

Quando a calibragem do volante estiver concluída e o jogo tiver iniciado, os pedais são calibrados automaticamente ao fim de várias pressões.



ATENÇÃO:

Nunca carregue nos pedais durante a fase de autocalibragem do volante ou quando um jogo estiver a ser carregado!
(Isto poderá resultar numa calibragem incorreta.)

Se o volante e/ou o conjunto de pedais não funcionam corretamente, ou se parecem estar calibrados incorretamente:

Desligue a consola e desligue todos os cabos do volante. Em seguida, volte a ligar todos os cabos (incluindo o cabo de alimentação e o conjunto de pedais) e reinicie a consola e o jogo.

SISTEMA DE REFRIGERAÇÃO INTERNO PARA A BASE DO VOLANTE

O sistema de refrigeração interno da base do volante:

- Começa a funcionar quando o volante é ligado.
- Desliga-se ao fim de alguns minutos de inatividade quando a temperatura interna desce abaixo de um determinado nível.
- Liga-se novamente quando utiliza o volante.

BOTÃO MODE E LUZ INDICADORA (10)

Botão MODE para o conjunto de pedais

O T-GT II é compatível com conjuntos de pedais Thrustmaster dotados de 3 pedais; estes permitem-lhe trocar eletronicamente os pedais do acelerador e da embraiagem.

Para tal, basta premir o botão MODE (10) durante 2 segundos.

A memória interna do volante memoriza se os pedais foram trocados ou não.

PEDAIS DO ACELERADOR E DA EMBRAIAGEM	Cor da luz indicadora MODE (10)
NORMAL	VERMELHA
TROCADOS	VERDE

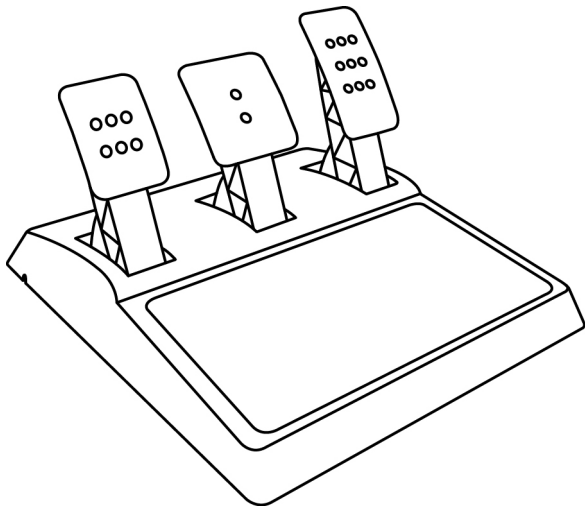
Outras sugestões relativas ao botão MODE

Para saber mais sobre o botão MODE e a luz indicadora, aceda a <https://support.thrustmaster.com/>. Clique em **Volantes / T-GT II** e em seguida seleccione **Manual** ou **FAQ**.

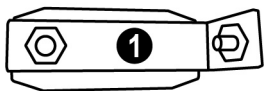
FICHEIROS DE AJUDA E FAQ

Aceda a <https://support.thrustmaster.com/>. Clique em **Volantes / T-GT II** e em seguida seleccione **Manual** ou **FAQ**.

CONJUNTO DE PEDAIS **T-GT II EDITION**

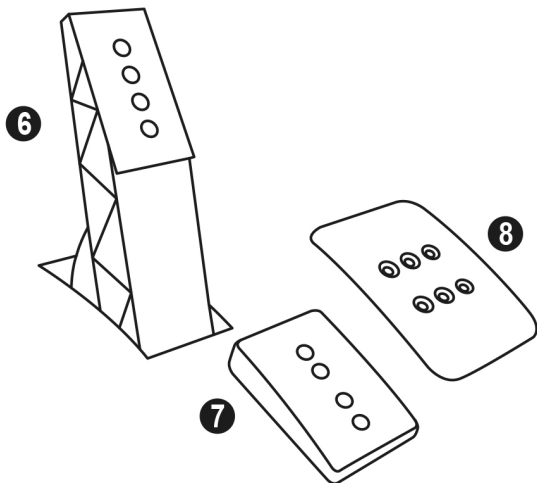


CARACTERÍSTICAS TÉCNICAS



- 1 Apoio de metal para batente cónico
(*não instalado por predefinição*)
- 2 Batente cónico
- 3 Parafuso de fixação para o apoio de metal

- 4 Chave sextavada de 2,5 mm (incluída)
- 5 Porca de ajuste da posição para o batente cónico



- 6 Braço do pedal de metal
- 7 Apoio de plástico da cabeça

- 8 Cabeça de metal do pedal

ATENÇÃO

Antes de utilizar este produto, leia atentamente estas instruções e guarde-as para uma consulta posterior.



Por razões de segurança, nunca utilize o conjunto de pedais com os pés descalços ou quando estiver apenas de meias calçadas.
A THRUSTMASTER® NÃO ASSUME QUALQUER RESPONSABILIDADE NA EVENTUALIDADE DE DANOS FÍSICOS RESULTANTES DA UTILIZAÇÃO DO CONJUNTO DE PEDAIS SEM CALÇADO.



Atenção – Perigo de entalamento no conjunto de pedais durante as sessões de jogo

- * Mantenha o conjunto de pedais fora do alcance das crianças.
- * Durante as sessões de jogo, nunca coloque os dedos nos lados dos pedais.
- * Durante as sessões de jogo, nunca coloque os dedos na base posterior dos pedais ou perto da mesma.
- * Durante as sessões de jogo, nunca coloque os dedos na base frontal dos pedais ou perto da mesma.

NUNCA



NUNCA



NUNCA



CALIBRAGEM AUTOMÁTICA DOS PEDAIS



IMPORTANTE:

- Nunca ligue nem desligue o conjunto de pedais da base do volante quando o volante estiver ligado a uma consola PS5™ ou consola PS4™ ou a um PC, ou durante sessões de jogo, para evitar problemas de calibragem.
- Ligue sempre o conjunto de pedais ao volante antes de ligar o volante a uma consola PS5™ ou consola PS4™ ou a um PC.
- Quando a calibragem automática do volante estiver concluída e o jogo tiver começado, os pedais calibram-se automaticamente depois de carregar neles várias vezes.
- Nunca carregue nos pedais quando o volante estiver a executar a calibragem automática ou quando o jogo estiver a começar, a fim de evitar problemas de calibragem.
- Se os pedais não funcionarem corretamente ou parecerem estar calibrados indevidamente, desligue a consola, desligue completamente o volante, volte a ligar todos os cabos (incluindo o cabo de alimentação e o cabo do conjunto de pedais), ligue novamente a consola e reinicie o jogo.

FIXAR O CONJUNTO DE PEDAIS A UM COCKPIT

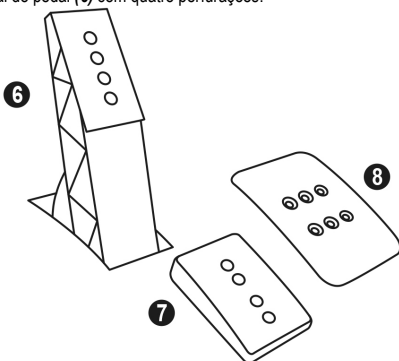
- Fixe o conjunto de pedais utilizando as pequenas roscas de parafusos situadas na parte inferior do conjunto de pedais.
- Enrosque dois parafusos M6 (não incluídos) na chapa de apoio do conjunto de pedais e nas duas pequenas roscas de parafusos situadas na parte inferior do conjunto de pedais.

Importante: O comprimento dos dois parafusos M6 não deve exceder a espessura da chapa de apoio dos pedais do cockpit mais 10 mm, para evitar danificar os componentes internos do conjunto de pedais.

AJUSTAR O CONJUNTO DE PEDAIS

Cada um dos três pedais inclui:

- Uma cabeça de metal (8) com vários furos (nove para o acelerador, dois para o travão e seis para a embraiagem).
- Um apoio de plástico da cabeça (7) (colocado entre a cabeça e o braço) com quatro furos.
- Um braço de metal do pedal (6) com quatro perfurações.

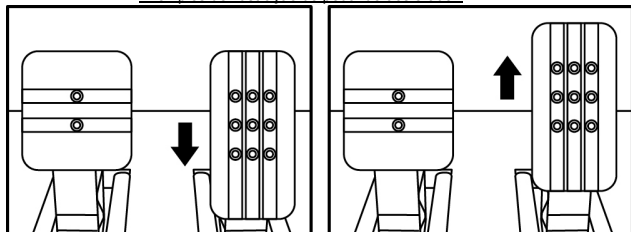


ATENÇÃO: Para evitar quaisquer problemas de calibragem, desligue sempre o cabo USB do volante da consola PS5™ ou da consola PS4™ antes de efetuar quaisquer ajustes no conjunto de pedais.

Ajustar a ALTURA dos 3 pedais

- Com a chave sextavada de 2,5 mm incluída (4), desenrosque os dois parafusos que prendem a cabeça de metal (8) e o respetivo apoio (7) na posição.
- Selecione a sua posição de altura preferida e em seguida reaperte os parafusos de forma a fixar firmemente nessa posição a cabeça de metal (8) e o respetivo apoio (7).

Exemplos de ilustração do pedal do acelerador:



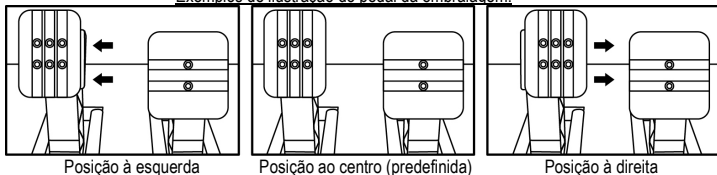
Posição baixa

Posição alta

Ajuste o ESPAÇAMENTO do pedal do acelerador e do pedal da embraiagem

- Com a chave sextavada de 2,5 mm incluída (4), desenrosque os dois parafusos que prendem a cabeça de metal (8) e o respetivo apoio (7) na posição.
- Selecione a sua posição preferida (à esquerda, ao centro ou à direita) e em seguida reaperte os parafusos de forma a fixar firmemente nessa posição a cabeça de metal (8) e o respetivo apoio (7).

Exemplos de ilustração do pedal da embraiagem:



Posição à esquerda

Posição ao centro (predefinida)

Posição à direita

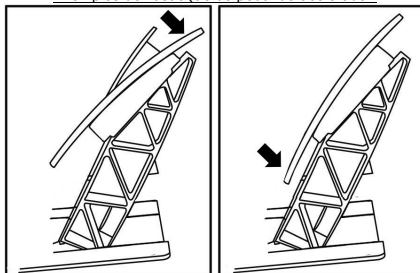
Número de posições de espaçamento possíveis por pedal:

- Três para o pedal do acelerador
- Três para o pedal da embraiagem

Ajustar a INCLINAÇÃO dos 3 pedais

- Com a chave sextavada de 2,5 mm incluída (4), desenrosque os dois parafusos que prendem a cabeça de metal (8) e o respetivo apoio (7) na posição.
- Rode o apoio de plástico da cabeça (7) 180° e em seguida reaperte os parafusos de forma a fixar firmemente nessa posição a cabeça de metal (8) e o respetivo apoio (7).

Exemplos de ilustração do pedal do acelerador:



Posição menos inclinada

Posição mais inclinada (predefinida)

Número de posições de inclinação possíveis por pedal:

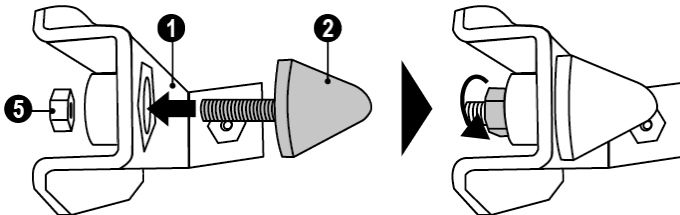
- Duas para o pedal do acelerador
- Duas para o pedal do travão
- Duas para o pedal da embraiagem

Instalar o batente cónico (“CONICAL RUBBER BRAKE” mod)

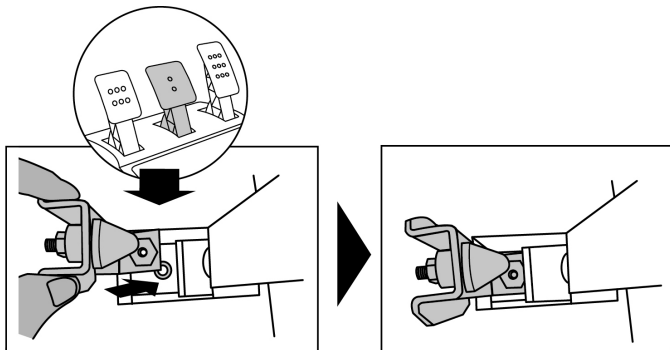
Esta modificação (ou “mod”) não é essencial, não sendo instalada por predefinição. Isto significa que o pedal do travão funciona perfeitamente mesmo sem a mod instalada.

Esta mod permite-lhe experimentar uma sensação e uma resistência diferentes ao travar. Cabe a si decidir se deve ou não instalá-la, de acordo com as suas próprias preferências.

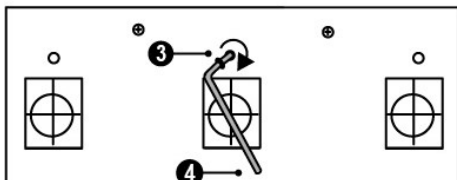
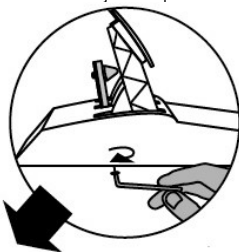
- Enrosque o batente cónico (2) no respetivo apoio de metal (1).
- Enrosque a porta de ajuste da posição (5) ao fundo (na rosca de parafuso do batente cónico).



- Coloque a unidade na parte posterior do braço do pedal do travão.



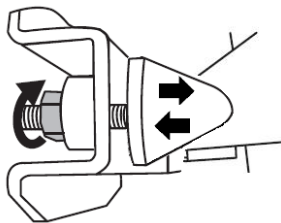
- Com a chave sextavada de 2,5 mm incluída (4), fixe a unidade utilizando o parafuso de fixação (3) e a pequena rosca de parafuso situada na parte inferior do conjunto de pedais.



A "CONICAL RUBBER BRAKE" mod encontra-se agora instalada!

Ajustar o CURSO e a FORÇA da resistência do pedal do travão

Ao desenroscar ligeiramente a porca (5), pode aumentar a resistência do pedal do travão aproximando o batente cónico (2) da parte posterior do braço do pedal (se necessário, utilize uma chave de porcas de 14 mm ou um alicate para reapertar a porca e manter a posição selecionada). Quanto mais perto o batente cónico estiver da parte posterior do braço do pedal, maior será a força da resistência.



Nota: Quando o batente cónico estiver muito perto da parte posterior do braço do pedal do travão, poderá ter dificuldade para atingir o valor de calibragem máximo. Se for esse o caso:

- * Lentamente, carregue com força no pedal do travão para atingir o valor máximo (se necessário, coloque-se de pé durante breves instantes em cima do pedal – apenas 1 segundo) e em seguida alivie a pressão; ou
- * Afaste ligeiramente o batente cónico da parte posterior do braço do pedal do travão.

INFORMAÇÕES SOBRE A GARANTIA PARA O CONSUMIDOR

A Guillemot Corporation S.A., com sede social sita em Place du Granier, B.P. 97143, 35571 Chantepie, França (a seguir designada como "Guillemot") garante a nível mundial ao consumidor que este produto Thrustmaster está livre de defeitos em termos de materiais e fabrico durante um período de garantia que corresponde ao limite de tempo para intentar uma ação de conformidade relativamente a este produto. Nos países da União Europeia, isto corresponde a um período de dois (2) anos desde a entrega do produto Thrustmaster. Noutros países, o período de garantia corresponde ao limite de tempo para intentar uma ação de conformidade relativamente ao produto Thrustmaster de acordo com a legislação em vigor do país no qual o consumidor residia à data de compra do produto Thrustmaster (se a dita ação não existir no país correspondente, então o período de garantia será de um (1) ano a partir da data de compra original do produto Thrustmaster).

No caso de o produto apresentar algum defeito durante o período da garantia, contacte imediatamente o Suporte Técnico, que lhe indicará o procedimento a tomar. Se esse defeito se confirmar, o produto terá de ser devolvido ao respetivo local de compra (ou qualquer outro local indicado pelo Suporte Técnico).

No âmbito da presente garantia, e por opção do Suporte Técnico, o produto defeituoso do consumidor será substituído ou reparado. Se, durante o período da garantia, o produto Thrustmaster for submetido à dita reparação, qualquer período mínimo de (7) dias durante o qual o produto estiver fora de serviço será adicionado ao período da garantia restante (este período decorre desde a data do pedido intervenção pelo consumidor ou desde a data em que o produto em questão é disponibilizado para reparação, se a data em que o produto é disponibilizado para reparação for posterior à data do pedido de intervenção). Se for permitido pela legislação em vigor, a responsabilidade total da Guillemot e das respetivas filiais (incluindo para danos indiretos) está limitada à reparação ou à substituição do produto Thrustmaster. Se for permitido pela legislação em vigor, a Guillemot rejeita todas as garantias de comercialização ou adequação a um fim específico.

A presente garantia não se aplicará: (1) se o produto tiver sido modificado, aberto, alterado ou danificado em resultado de utilização inadequada ou abusiva, negligência, acidente, desgaste normal ou qualquer outra causa relacionada com um defeito de material ou fabrico (incluindo, mas sem limitação, combinar o produto Thrustmaster com qualquer elemento inadequado, incluindo, em particular, fontes de alimentação, baterias recarregáveis, carregadores ou quaisquer outros elementos não fornecidos pela Guillemot para este produto); (2) se o produto tiver sido utilizado fora do âmbito da utilização doméstica, incluindo para fins profissionais ou comerciais (salas de jogos, treino e competições, por exemplo); (3) na eventualidade de incumprimento das instruções fornecidas pelo Suporte Técnico; (4) a software, estando o mesmo sujeito a uma garantia específica; (5) a consumíveis (elementos para substituir ao longo da vida útil do produto: baterias descartáveis, auscultadores de áudio ou auriculares de auscultadores, por exemplo); (6) a acessórios (cabos, estojos, bolsas, sacos e correias de pulso, por exemplo); (7) se o produto foi vendido num leilão público.

A presente garantia não é transmissível.

Os direitos legais do consumidor no que concerne à legislação aplicável à venda de bens de consumo no seu país não são afetados pela presente garantia.

Disposições de garantia adicionais

Durante o período da garantia, a Guillemot não fornecerá, em princípio, quaisquer peças de substituição, uma vez que o Suporte Técnico é a única parte autorizada a abrir e/ou reparar qualquer produto Thrustmaster (à exceção de quaisquer procedimentos de reparação que o Suporte Técnico possa pedir ao consumidor para realizar, através de instruções por escrito – por exemplo, devido à simplicidade e à falta de confidencialidade do processo de reparação – e fornecendo ao consumidor a(s) peça(s) de substituição necessária(s), quando aplicável).

Tendo em conta os seus ciclos de inovação, e a fim de proteger o seu know-how e segredos comerciais, a Guillemot não fornecerá, em princípio, qualquer notificação de reparação ou peças de substituição para produtos Thrustmaster cujo período da garantia tenha expirado.

Responsabilidade

Se for permitido ao abrigo da legislação aplicável, a Guillemot Corporation S.A. (a seguir designada "Guillemot") e as respetivas filiais rejeitam qualquer responsabilidade por danos resultantes de uma ou mais das seguintes causas: (1) o produto foi modificado, aberto ou alterado; (2) incumprimento das instruções de montagem; (3) utilização inadequada ou abusiva, negligência ou acidente (um impacto, por exemplo); (4) desgaste normal; (5) utilização do produto fora do âmbito além da utilização doméstica, incluindo para fins profissionais ou comerciais (salas de jogos, treino e competições, por exemplo). Se for permitido ao abrigo da legislação aplicável, a Guillemot e as respetivas filiais rejeitam qualquer responsabilidade por danos relacionados com um defeito de material ou fabrico relativamente ao produto (incluindo, mas sem limitação, quaisquer danos causados direta ou indiretamente por qualquer software ou por combinar o produto Thrustmaster com qualquer elemento inadequado, incluindo, em particular, fontes de alimentação, baterias recarregáveis, carregadores ou quaisquer outros elementos não fornecidos pela Guillemot para este produto).

THRUSTMASTER®

SUORTE TÉCNICO

<https://support.thrustmaster.com>



DIREITOS DE AUTOR

©2021 Guillemot Corporation S.A. Todos os direitos reservados. Thrustmaster® é uma marca registada da Guillemot Corporation S.A. Fabricado e distribuído pela Guillemot Corporation S.A. Todas as outras marcas comerciais e nomes de marcas são por este meio reconhecidos e pertencem aos respetivos proprietários. Os conteúdos, os desenhos e as especificações estão sujeitos a alteração sem aviso prévio e poderão variar consoante o país. As fotografias e ilustrações não são vinculativas. Concebido na América do Norte e Europa, fabricado na China.

Para utilização exclusivamente com consolas PlayStation®5 e consolas PlayStation®4.

"PS", "PlayStation", "PS5" e "PS4" são marcas registadas ou marcas comerciais da Sony Interactive Entertainment Inc. Todos os direitos reservados. Todas as outras marcas comerciais pertencem aos respetivos proprietários. Fabricado e distribuído sob licença da Sony Interactive Entertainment LLC.

Gran Turismo e o logótipo Gran Turismo são marcas registadas ou marcas comerciais da Sony Interactive Entertainment Inc.

Tecnologia TouchSense® licenciada pela Immersion Software Ireland Limited. Protegida por uma ou mais das patentes dos EUA indicadas no seguinte endereço: www.immersion.com/patent-marking.html e a aguardar outras patentes.

RECOMENDAÇÕES DE PROTECÇÃO AMBIENTAL



* Na União Europeia, Reino Unido e Turquia: quando este produto chegar ao fim da sua vida útil, não o elimine juntamente com os resíduos domésticos normais; em vez disso, deixe-o num ponto de recolha de resíduos de equipamento eléctrico e electrónico (REEE) para posterior reciclagem.

Os materiais podem ser reciclados, dependendo das suas características. Através da reciclagem e de outras formas de processamento de resíduos de equipamento eléctrico e electrónico, pode dar um importante contributo no sentido de ajudar a proteger o ambiente.

Contacte as autoridades locais para saber onde fica o ponto de recolha mais perto da sua área de residência.

Relativamente a todos os outros países: Respeite a legislação local sobre a reciclagem de equipamento eléctrico e electrónico.

Informações a reter. As cores e as decorações podem variar.

Os fechos e os adesivos devem ser removidos do produto antes da utilização.

www.thrustmaster.com

**Aplicável apenas à União Europeia, Reino Unido e Turquia*



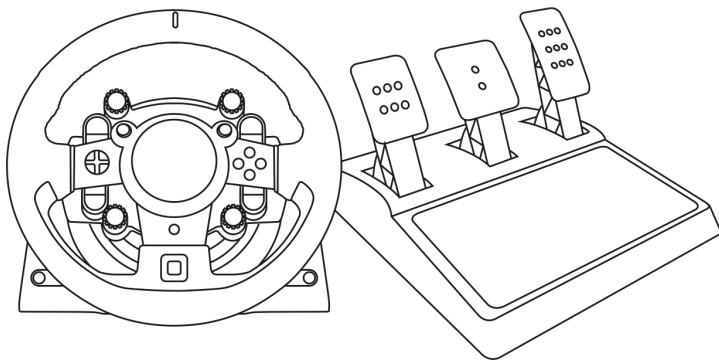
immersion.



T-GT II

Para consoles PlayStation®5 e consoles PlayStation®4

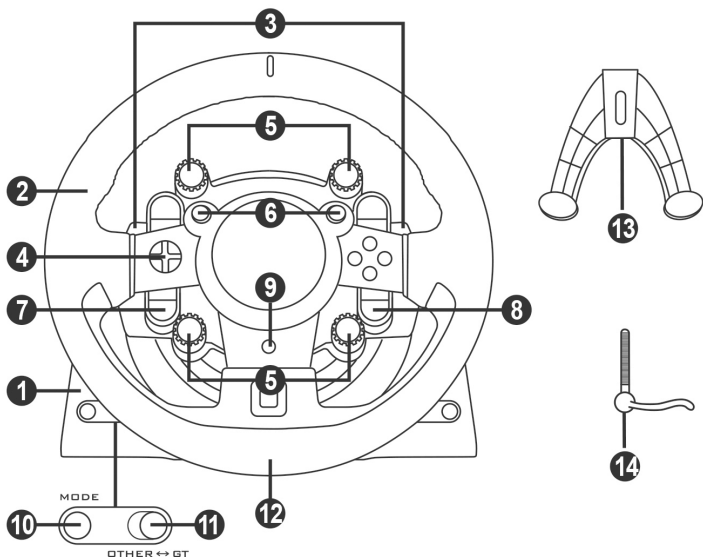
Manual do Usuário



ATENÇÃO:

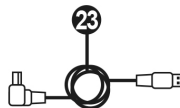
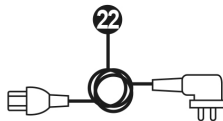
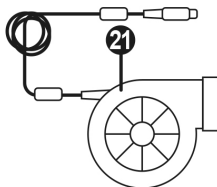
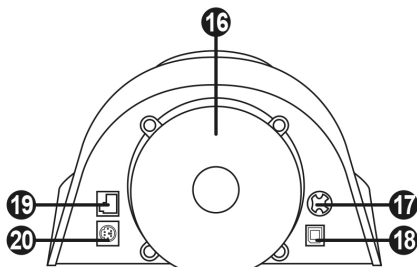
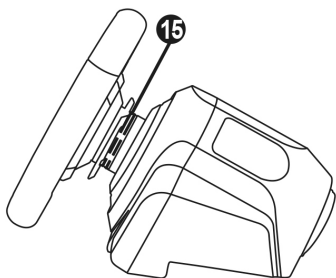
Para garantir que o seu volante T-GT II funcione corretamente com jogos, poderá ser pedido para instalar as atualizações automáticas dos jogos (*disponível quando o console está conectado à Internet*).

CARACTERÍSTICAS TÉCNICAS



- 1 Base T-GT II
- 2 Volante T-GT II
- 3 2 borboletas de câmbio sequencial (para cima e para baixo)
- 4 D-Pad multidirecional
- 5 4 seletores giratórios com função de pressionar
- 6 2 minialavancas
- 7 Botão SHARE/CREATE

- 8 Botão OPTIONS
- 9 Botão PS
- 10 Botão MODE + luz indicadora vermelha/verde
- 11 Seletor USB integrado: OTHER / GT
- 12 Orifício com rosca (para sistema e parafuso de fixação)
- 13 Sistema de fixação
- 14 Parafuso de metal para fixação



- 15 Desengate rápido Thrustmaster
- 16 Sistema de efeitos T-DFB (*compatível apenas com os consoles PS5™ e com os consoles PS4™ no modo GT*)
- 17 Conector para fonte de alimentação T-TURBO
- 18 Conector para cabo USB removível
- 19 Conector para conjunto de pedais
- 20 Conector para câmbio TH8A (*câmbio vendido separadamente*)
- 21 Fonte de alimentação T-TURBO
- 22 Cabo de alimentação
- 23 Cabo USB removível

CONEXÃO DO VOLANTE A UMA TOMADA ELÉTRICA: LEIA COM ATENÇÃO!



Jamais conecte a fonte de alimentação T-TURBO a uma tomada elétrica com uma tensão diferente! A tensão da fonte de alimentação T-TURBO é indicada na etiqueta localizada acima do conector fêmea para o cabo de alimentação.



Jamais conecte uma fonte de alimentação que não seja a T-TURBO à base T-GT II, mesmo que o conector seja compatível! Por exemplo, jamais conecte o adaptador de alimentação do volante T500 RS à base T-GT II.

AVISOS

Antes de utilizar este produto, leia atentamente este manual e guarde-o para consultas futuras.



Atenção – Choque elétrico

- * Guarde o produto num local seco e não exponha-o ao pó nem à luz do sol.
- * Não torça nem puxe os conectores e os cabos.
- * Não derrame líquidos sobre o produto ou nos respetivos conectores.
- * Não provoque um curto-circuito no produto.
- * Nunca desmonte o produto, não o atire para o fogo nem o exponha a temperaturas elevadas.
- * Não utilize um cabo de alimentação diferente do fornecido com o volante.
- * Não utilize o cabo de alimentação se o cabo ou os conectores estiverem danificados, fendidos ou partidos.
- * Certifique-se de que o cabo de alimentação está corretamente ligado a uma tomada elétrica, assim como ao conector situado na parte posterior da base do volante.
- * Não abra o volante: ele não contém peças reparáveis pelo usuário no interior. Todos os consertos devem ser realizados pelo fabricante, pelo seu representante autorizado ou por um técnico qualificado.
- * Utilize apenas sistemas de fixação/acessórios especificados pelo fabricante.
- * Se o volante estiver funcionando de forma anormal (se emite quaisquer sons, calor ou cheiros anormais), pare imediatamente de utilizá-lo, desligue o cabo de alimentação da tomada e desligue os outros cabos.
- * Se não utilizar o volante durante um longo período de tempo, desligue o respectivo cabo de alimentação da tomada elétrica.
- * A tomada elétrica deve estar localizada perto do equipamento, e deve ser facilmente acessível.

Informações para adaptador de alimentação de 220V

Informação publicada	Valor	Unidade
Nome do fabricante ou marca comercial, número de registro comercial e endereço	GUILLEMOT CORPORATION S.A. 414 196 758 Rennes Place du Granier BP 97143 35571 Chantepie Cedex France	
Identificador do modelo	Alimentação turbo 220V	
Tensão de entrada	220 - 240	V
Frequência CA de entrada	50 / 60	Hz
Tensão de saída	24,0	V CA
Corrente de saída	4,0	A
Potência de saída	96,0	W
Eficiência ativa média	90,9	%
Eficiência em carga baixa (10%)	86,8	%
Consumo de energia sem carga	0,01	W



Aberturas de ventilação

Certifique-se de não tapar as aberturas de ventilação na base do volante. Para uma ventilação ideal, certifique-se do seguinte:

- * Posicione a base do volante a pelo menos 10 cm de distância de quaisquer paredes.
- * Não coloque a base em espaços apertados.
- * Não tape a base.
- * Não deixe que pó se acumule nas aberturas de ventilação.



**Por razões de segurança, nunca utilize o conjunto de pedais com os pés descalços ou apenas com meias calçadas nos pés.
A THRUSTMASTER® NÃO ASSUME QUALQUER RESPONSABILIDADE NA
EVENTUALIDADE DE DANOS FÍSICOS RESULTANTES DA UTILIZAÇÃO DO
CONJUNTO DE PEDAIS SEM CALÇADO.**



Atenção – Ferimentos resultantes dos efeitos Force Feedback e dos movimentos repetidos

Jogar com um volante Force Feedback pode causar dores musculares ou articulares. Para evitar quaisquer problemas:

- * Evite jogar durante longos períodos de tempo.
- * Faça um intervalo de 10 a 15 minutos após cada hora de jogo.
- * Se sentir cansaço ou dores nas mãos, pulsos, braços, pés ou pernas, pare de jogar e descanse durante algumas horas antes de recomeçar a jogar.
- * Se os sintomas ou as dores acima indicados persistirem quando recomeçar a jogar, pare de jogar e consulte o seu médico.
- * Guarde o volante fora do alcance de crianças.
- * Durante o jogo, mantenha sempre ambas as mãos posicionadas corretamente no volante sem largá-lo por completo.
- * Durante o jogo, nunca coloque as mãos ou os dedos por baixo dos pedais ou perto do conjunto de pedais.
- * Durante a calibração e o jogo, nunca coloque a mão ou o braço através das aberturas existentes no volante.
- * Certifique-se de que a base do volante está devidamente fixada, de acordo com as instruções do manual.

PRODUTO PESADO



Produto para ser manuseado apenas por usuários com 16 anos de idade ou mais



Tenha cuidado para não deixar cair o produto em cima de si ou de outra pessoa!

SEMPRE



NUNCA



NUNCA



Atenção – Perigo de entalamento no conjunto de pedais ao jogar

- * Guarde o conjunto de pedais fora do alcance de crianças.
- * Quando jogar, nunca coloque os dedos nos lados dos pedais nem perto dos mesmos.
- * Quando jogar, nunca coloque os dedos na base posterior dos pedais nem perto da mesma.
- * Quando jogar, nunca coloque os dedos na base frontal dos pedais nem perto da mesma.

NUNCA



NUNCA



NUNCA



Atenção – Perigo de entalamento no conjunto de pedais em inatividade

- * Guarde o conjunto de pedais num local seguro e fora do alcance de crianças.

ATUALIZAR O FIRMWARE DO VOLANTE

O firmware incluído na base do volante pode ser atualizado para uma versão mais recente que inclua melhoramentos do produto.

Para visualizar a versão do firmware que o volante utiliza atualmente e atualizá-la, se necessário: no PC, acesse <https://support.thrustmaster.com/>. Clique em **Volantes / T-GT II**, selecione **Firmware** e siga as instruções que descrevem o procedimento de transferência e instalação.

Observação importante:

No PC, o seletor USB (11) na base do volante deve sempre permanecer na posição "OTHER".

INSTALAR O VOLANTE NA RESPECTIVA BASE

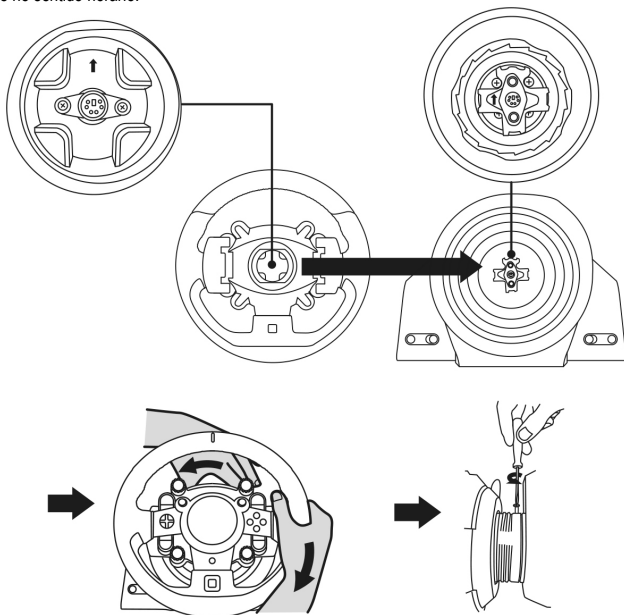
Alinhe as posições dos conectores com as setas:

Conector da base (1): Seta apontando para cima

Conector do volante (2): Seta apontando para cima

Assim que os conectores estiverem posicionados corretamente, gire o anel do dispositivo Thrustmaster Quick Release (15) no sentido anti-horário enquanto mantém o volante (2) na posição.

Em seguida, aperte o anel o máximo que conseguir; para tal, mantenha o anel na posição e gire o volante no sentido horário.



Depois de instalar o volante, gire-o 180° (quando estiver virado de frente para o volante, o logotipo GT deve ficar virado ao contrário) para acessar o parafuso de fixação pequeno situado no anel do dispositivo Thrustmaster Quick Release (15). Utilize uma chave de fenda Phillips grande para apertar o parafuso de fixação pequeno (não aplique força excessiva), girando-o no sentido horário.

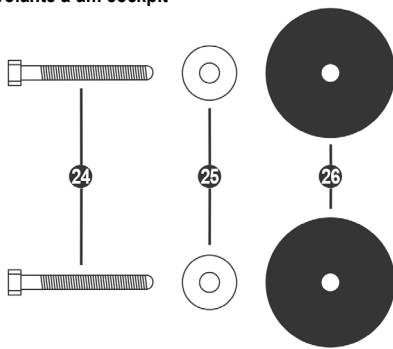


**Não aplique força excessiva ao apertar o parafuso de fixação pequeno
(com uma chave de fenda Phillips)!**

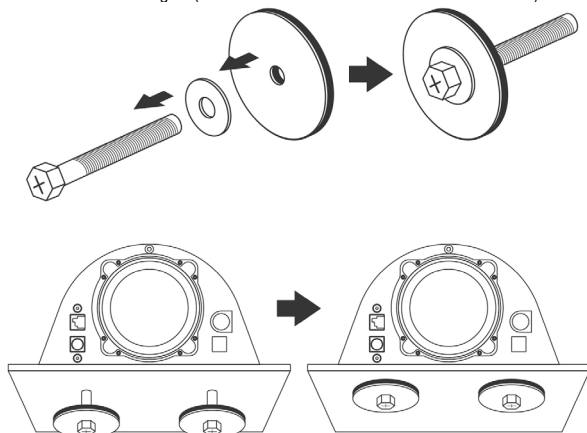
Pare de girar o parafuso assim que sentir alguma resistência.

FIXAR O VOLANTE

Fixar a base do volante a um cockpit



- 24 2 parafusos do tipo M6 com cabeça hexagonal/cabeça Phillips
- 25 2 arruelas
- 26 2 discos de montagem (metal de um lado e borracha texturizada do outro)



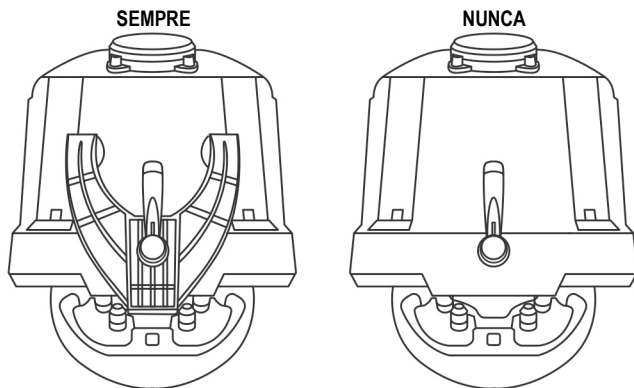
1. Posicione as arruelas (25) no lados de metal dos discos de montagem (26) e insira os parafusos do tipo M6 com cabeça hexagonal/cabeça Phillips (24).
2. Coloque a base do volante na prateleira do cockpit.
3. Usando uma chave inglesa de 10 mm ou uma chave Phillips, aparafuse o kit de montagem do cockpit na prateleira do cockpit e nas 2 roscas pequenas localizadas na parte inferior do volante.

ATENÇÃO:

- Não remova as almofadas de espuma localizadas na parte inferior da base do volante! As almofadas de espuma amplificam os efeitos do sistema T-DFB quando o volante está conectado.
- O lado de borracha texturizada dos discos de montagem (26) deve ser imperativamente posicionado de frente para a prateleira do cockpit; nunca posicione o lado de metal voltado para a prateleira do cockpit; nunca posicione o lado de metal voltado para a prateleira do cockpit.

Fixar o volante a uma mesa

1. Coloque o volante sobre uma mesa ou qualquer outra superfície horizontal, plana e estável.
2. Insira o parafuso de aperto (14) no sistema de fixação (13), depois aperte o dispositivo girando o parafuso no sentido anti-horário, de forma que penetre no furo roscado grande (12) situado abaixo do volante, até o volante estar perfeitamente estável.



ATENÇÃO:

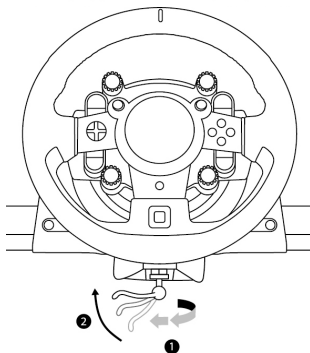
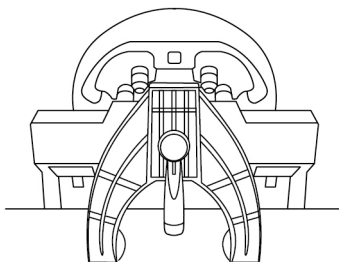
- Nunca aperte apenas o parafuso, sem o sistema de fixação instalado! (Se o fizer, poderá danificar o volante.)
- Não remova as almofadas de espuma localizadas na parte inferior da base do volante! As almofadas de espuma amplificam os efeitos do sistema T-DFB quando o volante está conectado.

**FIXAÇÃO /
REMOÇÃO**

DIREÇÃO

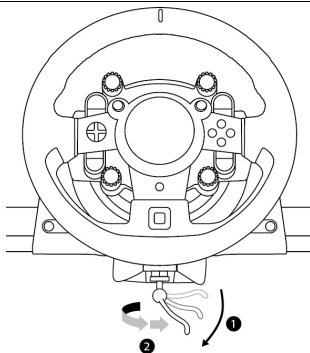
Para apertar:

***Gire o parafuso
no sentido anti-
horário***



Para soltar:

***Gire o parafuso
no sentido horário***



CONFIGURAÇÃO DO VOLANTE PARA CONSOLES PS5™ E CONSOLES PS4™

1. Conecte o conjunto de pedais ao seu conector (19) localizado na parte traseira da base do volante.
2. Conecte a fonte de alimentação T-TURBO (21) ao seu conector (17).
3. Conecte o cabo de alimentação (22) à fonte de alimentação T-TURBO e conecte o cabo a uma tomada elétrica com a mesma tensão.
4. Coloque o seletor USB (11) na posição "OTHER" ou "GT", dependendo do jogo para PS5™ ou do jogo para PS4™ que você estiver usando.
5. Conecte o cabo USB removível (23) ao seu conector (18) e a uma das portas USB do console PS5™ ou do console PS4™.
6. Quando o console PS5™ ou o console PS4™ for ligado, o volante será calibrado automaticamente.
7. Pressione o botão PS (9) no volante e acesse sua conta da PlayStation™Network para ativar a funcionalidade do volante.

Você está pronto para jogar!

Observações importantes:

- Não esqueça de pressionar o botão PS (9) para ativar a funcionalidade do volante.
- O seletor USB (11) na base do volante deve sempre estar na posição correta ("OTHER" ou "GT") antes de conectar o cabo USB do volante ao console.
Para alterar a posição do seletor, desconecte o cabo USB e coloque o seletor na posição apropriada antes de reconectar o cabo USB ao console.
- A lista de jogos para PlayStation®5 e jogos para PlayStation®4 compatíveis com o T-GT II (juntamente com a posição exigida para o seletor USB (11) de acordo com o jogo que você está usando) está disponível aqui: <https://support.thrustmaster.com> (na seção Volantes/T-GT II). A lista é atualizada regularmente.

SELETOR USB (11) NA POSIÇÃO "OTHER" **PARA JOGOS DE PS5™ E JOGOS DE PS4™ ALÉM DE GT SPORT**

Quando o seletor USB (11) estiver na posição "OTHER":

* O sistema de Force Feedback funciona, mas o sistema de efeitos T-DFB (16) não funciona.

SELETOR USB (11) NA POSIÇÃO "GT" **PARA O JOGO GT SPORT (E OUTROS JOGOS FUTUROS DA SÉRIE GT)**

Quando o seletor USB (11) estiver na posição "GT":

* O sistema de Force Feedback e o sistema de efeitos T-DFB (16) funcionam ao mesmo tempo. Nas opções do jogo GT Sport, a intensidade de cada sistema pode ser ajustada independentemente.

CONFIGURAR O VOLANTE PARA O PC

*A compatibilidade com pc não é aprovada pela Sony Interactive Entertainment europe e Sony Interactive Entertainment LLC.

Para obter mais informações, visite <https://support.thrustmaster.com>.

CALIBRAGEM AUTOMÁTICA DO VOLANTE E DO CONJUNTO DE PEDAIS

O volante calibra-se automaticamente quando ligado a uma tomada elétrica e o conector USB do volante ao console.

Durante esta fase, o volante gira rapidamente para a esquerda e direita, cobrindo um ângulo de 1080 graus, antes de parar no centro.



ATENÇÃO:

Nunca toque no volante durante a fase de autocalibragem!
(Isto poderá resultar numa calibragem incorreta e/ou em ferimentos pessoais.)

CALIBRAGEM AUTOMÁTICA DO CONJUNTO DE PEDAIS

Nunca ligue o conjunto de pedais à base do volante (nem o desligue da base) quando estiver ligado ao console ou durante o jogo (isto poderá resultar numa calibragem incorreta).

Ligue sempre o conjunto de pedais antes de ligar o volante ao console.

Quando a calibragem do volante estiver concluída e o jogo tiver iniciado, os pedais são calibrados automaticamente ao fim de várias pressões.



ATENÇÃO:

Nunca pise nos pedais durante a fase de autocalibragem do volante ou quando um jogo estiver sendo carregado!
(Isto poderá resultar numa calibragem incorreta.)

Se o volante e/ou o conjunto de pedais não funcionam corretamente, ou se parecem estar calibrados incorretamente:

Desligue o console e desligue todos os cabos do volante. Em seguida, volte a ligar todos os cabos (incluindo o cabo de alimentação e o conjunto de pedais) e reinicie o console e o jogo.

SISTEMA DE RESFRIAMENTO INTERNO DA BASE DO VOLANTE

O sistema de resfriamento interno da base do volante:

- Começa a funcionar quando o volante é ligado.
- É desligado após alguns minutos de inatividade quando a temperatura interna esfria para um nível baixo.
- É ligado novamente ao usar o volante.

BOTÃO MODE E LUZ INDICADORA (10)

Botão MODE para o conjunto de pedais

Você pode alternar eletronicamente os pedais do acelerador e da embreagem.

Para tal, basta pressionar o botão MODE (10) durante 2 segundos.

A memória interna do volante memoriza se os pedais foram trocados ou não.

PEDAIS DO ACELERADOR E DA EMBREAGEM	Cor da luz indicadora MODE (10)
NORMAL	VERMELHA
TROCADOS	VERDE

Outras sugestões relativas ao botão MODE

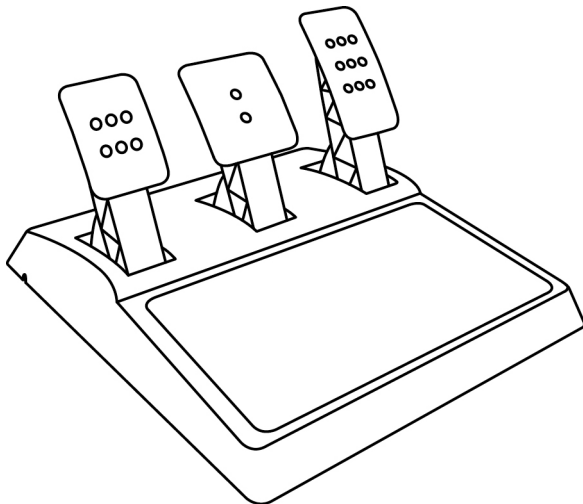
Para saber mais sobre o botão MODE e a luz indicadora, acesse <https://support.thrustmaster.com/>.

Clique em **Volantes / T-GT II** e em seguida selecione **Manual** ou **FAQ**.

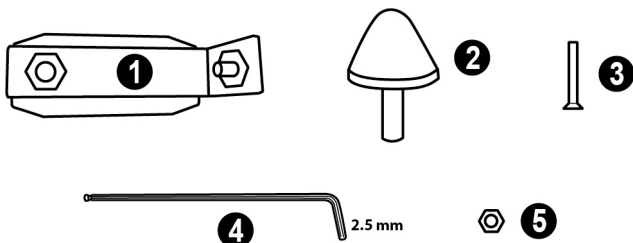
ARQUIVOS DE AJUDA E FAQ

Acesse <https://support.thrustmaster.com/>. Clique em **Volantes / T-GT II** e selecione **Manual** ou **FAQ**.

PEDALEIRA **T-GT II EDITION**

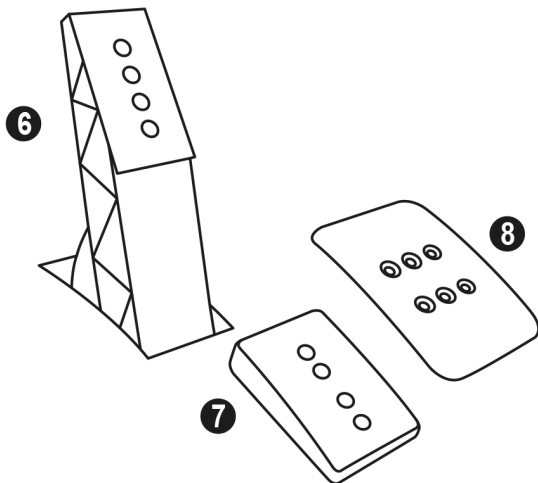


CARACTERÍSTICAS TÉCNICAS



- 1 Apoio de metal para batente cônico
(*não instalado por predefinição*)
- 2 Batente cônico
- 3 Parafuso de fixação para o apoio de metal

- 4 Chave sextavada de 2,5 mm (incluída)
- 5 Porca de ajuste da posição para o batente cônico



- 6 Haste de metal do pedal
- 7 Apoio de plástico da cabeça

- 8 Cabeça de metal do pedal

ATENÇÃO

Antes de utilizar este produto, leia atentamente estas instruções e guarde-as para uma consulta posterior.



Por razões de segurança, nunca utilize o conjunto de pedais com os pés descalços ou quando estiver apenas de meias calçadas.
A THRUSTMASTER® NÃO ASSUME QUALQUER RESPONSABILIDADE NA EVENTUALIDADE DE DANOS FÍSICOS RESULTANTES DA UTILIZAÇÃO DO CONJUNTO DE PEDAIS SEM CALÇADO.



Atenção – Perigo de entalamento no conjunto de pedais durante as sessões de jogo

- * Mantenha o conjunto de pedais fora do alcance de crianças.
- * Durante as sessões de jogo, nunca coloque os dedos nos lados dos pedais.
- * Durante as sessões de jogo, nunca coloque os dedos na base traseira dos pedais ou perto da mesma.
- * Durante as sessões de jogo, nunca coloque os dedos na base frontal dos pedais ou perto da mesma.

NUNCA



NUNCA



NUNCA



CALIBRAGEM AUTOMÁTICA DOS PEDAIS



IMPORTANTE:

- Jamais conecte ou desconecte o conjunto de pedais da base quando o volante estiver conectado a um console PS5™ ou console PS4™ ou a um PC, ou durante sessões de jogo, para evitar problemas de calibragem.
- Sempre conecte o conjunto de pedais ao volante antes de conectá-lo a um console PS5™ ou console PS4™ ou a um PC.
- Quando a calibragem automática do volante estiver concluída e o jogo tiver começado, os pedais calibram-se automaticamente depois de pisar neles várias vezes.
- Nunca pise nos pedais quando o volante estiver executando a calibragem automática ou quando o jogo estiver começando, a fim de evitar problemas de calibragem.
- Se os pedais não funcionarem corretamente ou parecerem estar calibrados indevidamente, desligue o console, desligue completamente o volante, volte a ligar todos os cabos (incluindo o cabo de alimentação e o cabo do conjunto de pedais), ligue novamente o console e reinicie o jogo.

FIXAR O CONJUNTO DE PEDAIS A UM COCKPIT

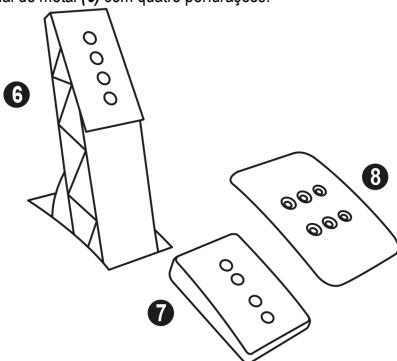
- Fixe o conjunto de pedais utilizando as pequenas roscas de parafusos situadas na parte inferior do conjunto de pedais.
- Enrosque dois parafusos M6 (não incluídos) na chapa de apoio do conjunto de pedais e nas duas pequenas roscas de parafusos situadas na parte inferior do conjunto de pedais.

Importante: O comprimento dos dois parafusos M6 não deve exceder a espessura da chapa de apoio dos pedais do cockpit mais 10 mm, para evitar danificar os componentes internos do conjunto de pedais.

AJUSTAR O CONJUNTO DE PEDAIS

Cada um dos três pedais inclui:

- Uma cabeça de metal (8) com vários furos (nove para o acelerador, dois para o freio e seis para a embreagem).
- Um apoio de plástico da cabeça (7) (colocado entre a cabeça e o braço) com quatro furos.
- Uma haste de pedal de metal (6) com quatro perfurações.

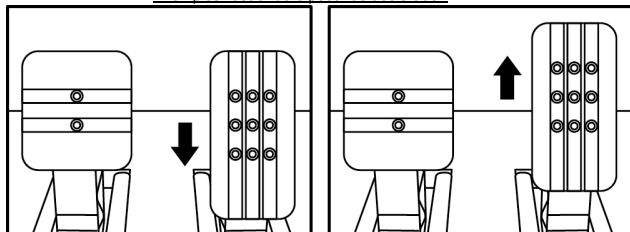


ATENÇÃO: Para evitar problemas de calibragem, certifique-se de sempre desconectar o cabo USB do volante do console PS5™ ou do console PS4™ antes de fazer qualquer ajuste no conjunto de pedais.

Ajustar a ALTURA dos 3 pedais

- Com a chave sextavada de 2,5 mm incluída (4), desenrosque os dois parafusos que prendem a cabeça de metal (8) e o respectivo apoio (7) na posição.
- Selecione a sua posição de altura preferida e, em seguida, reaperte os parafusos de forma a fixar firmemente nessa posição a cabeça de metal (8) e o respectivo apoio (7).

Exemplos ilustrando o pedal do acelerador:



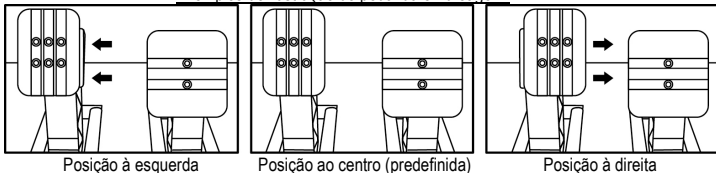
Posição baixa

Posição alta

Ajustar o ESPAÇAMENTO

- Com a chave sextavada de 2,5 mm incluída (4), desenrosque os dois parafusos que prendem a cabeça de metal (8) e o respectivo apoio (7) na posição.
- Selecione a sua posição preferida (à esquerda, ao centro ou à direita) e, em seguida, reaperte os parafusos de forma a fixar firmemente nessa posição a cabeça de metal (8) e o respectivo apoio (7).

Exemplos de ilustração do pedal da embreagem:



Posição à esquerda

Posição ao centro (predefinida)

Posição à direita

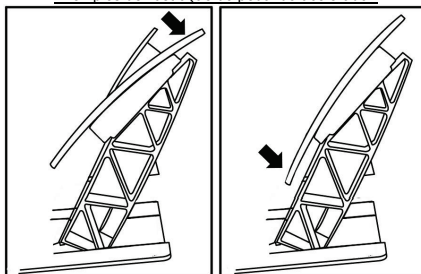
Número de posições de espaçamento possíveis por pedal:

- Três para o pedal do acelerador
- Três para o pedal da embreagem

Ajustar a INCLINAÇÃO dos 3 pedais

- Com a chave sextavada de 2,5 mm incluída (4), desenrosque os dois parafusos que prendem a cabeça de metal (8) e o respectivo apoio (7) na posição.
- Gire o apoio de plástico da cabeça (7) 180° e, em seguida, reaperte os parafusos de forma a fixar firmemente nessa posição a cabeça de metal (8) e o respectivo apoio (7).

Exemplos de ilustração do pedal do acelerador:



Posição menos inclinada

Posição mais inclinada (predefinida)

Número de posições de inclinação possíveis por pedal:

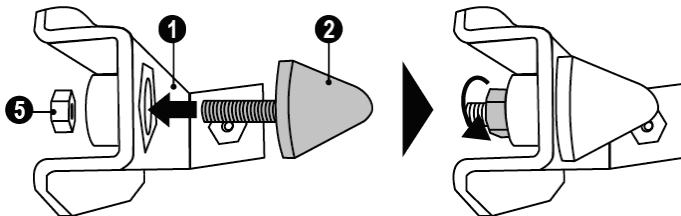
- Duas para o pedal do acelerador
- Duas para o pedal do freio
- Duas para o pedal da embreagem

Instalar o batente cônico (“CONICAL RUBBER BRAKE” mod)

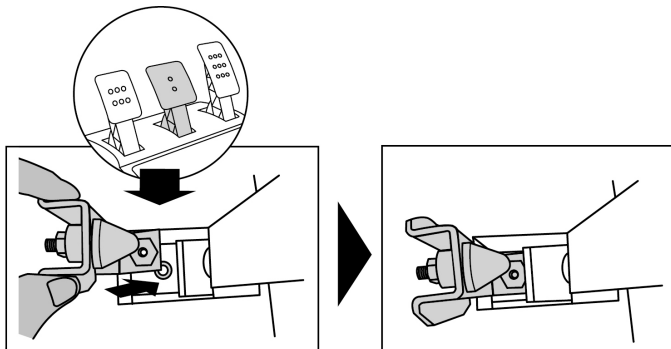
Esta modificação (ou “mod”) não é essencial, não sendo instalada por predefinição. Isto significa que o pedal do freio funciona perfeitamente mesmo sem a mod instalada.

Esta mod permite-lhe experimentar uma sensação e uma resistência diferentes ao frear. Cabe a você decidir se deve ou não instalá-la, de acordo com as suas próprias preferências.

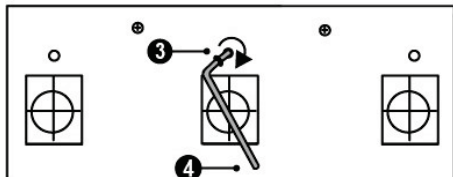
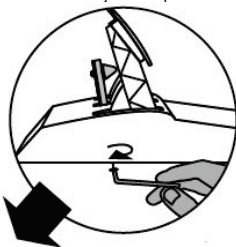
- Enrosque o batente cônico (2) no respectivo apoio de metal (1).
- Enrosque a porca de ajuste da posição (5) ao fundo (na rosca de parafuso do batente cônico).



- Coloque a unidade na parte posterior do braço do pedal do freio.



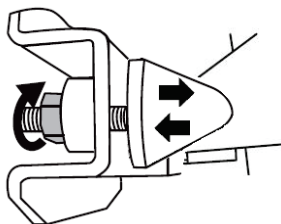
- Com a chave sextavada de 2,5 mm incluída (4), fixe a unidade utilizando o parafuso de fixação (3) e a pequena rosca de parafuso situada na parte inferior do conjunto de pedais.



A "CONICAL RUBBER BRAKE" mod encontra-se agora instalada!

Ajustar o CURSO e a FORÇA da resistência do pedal do freio

Ao desenroscar ligeiramente a porca (5), você pode aumentar a resistência do pedal do freio aproximando o batente cônico (2) da parte traseira do braço do pedal (se necessário, utilize uma chave de porcas de 14 mm ou um alicate para reapertar a porca e manter a posição selecionada). Quanto mais perto o batente cônico estiver da parte traseira do braço do pedal, maior será a força da resistência.



Nota: Quando o batente cônico estiver muito perto da parte posterior do braço do pedal do freio, você pode ter dificuldade para atingir o valor de calibragem máximo. Se for esse o caso:

- * Lentamente, pise com força no pedal do freio para atingir o valor máximo (se necessário, fique de pé durante breves instantes em cima do pedal – apenas 1 segundo) e, em seguida, alivie a pressão; ou
- * Afaste ligeiramente o batente cônico da parte traseira do braço do pedal do freio.

INFORMAÇÕES SOBRE A GARANTIA PARA O CONSUMIDOR

A Guillemot Corporation S.A., com sede social situada em Place du Granier, B.P. 97143, 35571 Chantepie, França (a seguir designada como "Guillemot") garante a nível mundial ao consumidor que este produto Thrustmaster está livre de defeitos em termos de materiais e fabricação durante um período de garantia que corresponde ao limite de tempo para intentar uma ação de conformidade relativamente a este produto. Nos países da União Europeia, isto corresponde a um período de dois (2) anos desde a entrega do produto Thrustmaster. Em outros países, o período de garantia corresponde ao limite de tempo para intentar uma ação de conformidade relativamente ao produto Thrustmaster de acordo com a legislação em vigor do país no qual o consumidor residia na data de compra do produto Thrustmaster (se tal ação não existir no país correspondente, então o período de garantia será de um (1) ano a partir da data de compra original do produto Thrustmaster).

Não obstante o supracitado, as baterias recarregáveis são cobertas por um período de garantia de seis (6) meses a partir da data de compra original.

No caso de o produto apresentar algum defeito durante o período da garantia, contate imediatamente o Suporte Técnico, que lhe indicará o procedimento a tomar. Se o defeito se confirmar, o produto deverá ser devolvido ao respetivo local de compra (ou qualquer outro local indicado pelo Suporte Técnico).

No âmbito da presente garantia, e por opção do Suporte Técnico, o produto defeituoso do consumidor será substituído ou reparado. Se, durante o período da garantia, o produto Thrustmaster for submetido à dita reparação, qualquer período mínimo de (7) dias durante o qual o produto estiver fora de serviço será adicionado ao período da garantia restante (este período decorre desde a data do pedido intervenção pelo consumidor ou desde a data em que o produto em questão é disponibilizado para reparação, se a data em que o produto é disponibilizado para reparação for posterior à data do pedido de intervenção). Se for permitido pela legislação em vigor, a responsabilidade total da Guillemot e das respectivas subsidiárias (incluindo para danos indiretos) está limitada à reparação ou à substituição do produto Thrustmaster. Se for permitido pela legislação em vigor, a Guillemot rejeita todas as garantias de comercialização ou adequação a um fim específico.

A presente garantia não se aplicará: (1) se o produto tiver sido modificado, aberto, alterado ou danificado como resultado de utilização inadequada ou abusiva, negligência, acidente, desgaste normal ou qualquer outra causa relacionada a um defeito de material ou fabricação (incluindo, mas sem limitação, combinar o produto Thrustmaster com qualquer elemento inadequado, incluindo, em particular, fontes de alimentação, baterias recarregáveis, carregadores ou quaisquer outros elementos não fornecidos pela Guillemot para este produto); (2) se o produto tiver sido usado para qualquer outro propósito além do uso doméstico, inclusive para fins profissionais ou comerciais (salas de jogos, treinamento ou competições, por exemplo); (3) na eventualidade de não cumprimento das instruções fornecidas pelo Suporte Técnico; (4) a software, estando o mesmo sujeito a uma garantia específica; (5) a consumíveis (elementos para substituir ao longo da vida útil do produto, como baterias descartáveis e almofadas de fones de ouvido, por exemplo); (6) a acessórios (cabos, estojos, bolsas, sacos e correias de pulso, por exemplo); (7) se o produto foi vendido num leilão público.

A presente garantia não é transmissível.

Os direitos legais do consumidor no que concerne à legislação aplicável à venda de bens de consumo no seu país não são afetados pela presente garantia.

Disposições de garantia adicionais

Durante o período da garantia, a Guillemot não fornecerá, em princípio, quaisquer peças de substituição, uma vez que o Suporte Técnico é a única parte autorizada a abrir e/ou reparar qualquer produto Thrustmaster (exceto por quaisquer procedimentos de reparação que o Suporte Técnico possa pedir ao consumidor para realizar, através de instruções por escrito – por exemplo, devido à simplicidade e à falta de confidencialidade do processo de reparação – e fornecendo ao consumidor a(s) peça(s) de substituição necessária(s), quando aplicável).

Tendo em conta os seus ciclos de inovação, e a fim de proteger o seu know-how e segredos comerciais, a Guillemot não fornecerá, em princípio, qualquer notificação de reparação ou peças de substituição para produtos Thrustmaster cujo período da garantia tenha expirado.

Nos Estados Unidos da América e no Canadá, a presente garantia está limitada ao mecanismo interno e à caixa do produto. Em nenhuma circunstância serão a Guillemot ou as respectivas subsidiárias consideradas responsáveis perante terceiros por quaisquer danos indiretos ou acidentais resultantes da violação de quaisquer garantias expressas ou implícitas. Alguns estados/províncias não permitem a limitação da duração de uma garantia implícita ou a exclusão ou limitação de responsabilidade por danos indiretos ou acidentais, portanto as limitações ou exclusões supracitadas podem não se aplicar a você. A presente garantia concede-lhe direitos legais específicos, e você também pode ter outros direitos, que variam de acordo com o estado ou a província.

Responsabilidade

Se for permitido pela legislação em vigor, a Guillemot Corporation S.A. (a seguir designada como "Guillemot") e as respectivas subsidiárias rejeitam qualquer responsabilidade por quaisquer danos resultantes de uma ou mais das seguintes causas: (1) o produto foi modificado, aberto ou alterado; (2) não cumprimento das instruções de montagem; (3) utilização imprópria ou abusiva, negligência ou acidente (um impacto, por exemplo); (4) desgaste normal; (5) utilização do produto para qualquer outro propósito além do uso doméstico, inclusive para fins profissionais ou comerciais (salas de jogos, treinamento ou competições, por exemplo). Se for permitido ao abrigo da legislação aplicável, a Guillemot e as respectivas subsidiárias rejeitam qualquer responsabilidade por danos relacionados a um defeito de material ou fabricação relativamente ao produto (incluindo, mas sem limitação, quaisquer danos causados direta ou indiretamente por qualquer software ou por combinar o produto Thrustmaster com qualquer elemento inadequado, incluindo, em particular, fontes de alimentação, baterias recarregáveis, carregadores ou quaisquer outros elementos não fornecidos pela Guillemot para este produto).

THRUSTMASTER®

SUORTE TÉCNICO

<https://support.thrustmaster.com>



DECLARAÇÃO DE CONFORMIDADE

Aviso de Cumprimento dos EUA: Este equipamento foi testado e considerado em conformidade com os limites para um dispositivo digital Classe B, conforme a Parte 15 das regras da FCC.

DIREITOS AUTORAIS

©2021 Guillemot Corporation S.A. Todos os direitos reservados. Thrustmaster® é uma marca registrada da Guillemot Corporation S.A. Fabricado e distribuído pela Guillemot Corporation S.A. Todas as outras marcas são por este meio reconhecidas e pertencem aos seus respectivos proprietários. O conteúdo, o design e as especificações estão sujeitos a alterações sem aviso prévio e podem variar de um país para outro. Fotografias e ilustrações não são vinculativas. Projetado na América do Norte e Europa, fabricado na China.

Para uso exclusivo com consoles PlayStation®5 e consoles PlayStation®4.

“PS”, “PlayStation”, “PS5”, e “PS4” são marcas registradas ou marcas comerciais da Sony Interactive Entertainment Inc. Todos os direitos reservados. Todas as outras marcas comerciais são de propriedade de seus respectivos proprietários. Fabricado e distribuído sob licença da Sony Interactive Entertainment LLC.

Gran Turismo e o logotipo Gran Turismo são marcas registradas ou marcas comerciais da Sony Interactive Entertainment Inc.

Tecnologia TouchSense® licenciada pela Immersion Software Ireland Limited. Protegido por uma ou mais das patentes americanas encontradas no seguinte endereço: www.immersion.com/patent-marking.html, e outras patentes pendentes.

RECOMENDAÇÕES DE PROTEÇÃO AMBIENTAL

Respeite a legislação local sobre a reciclagem de equipamento elétrico e eletrônico.

Guarde estas informações. As cores e as decorações podem variar.

Os prendedores de plástico e os adesivos devem ser removidos do produto antes da utilização.

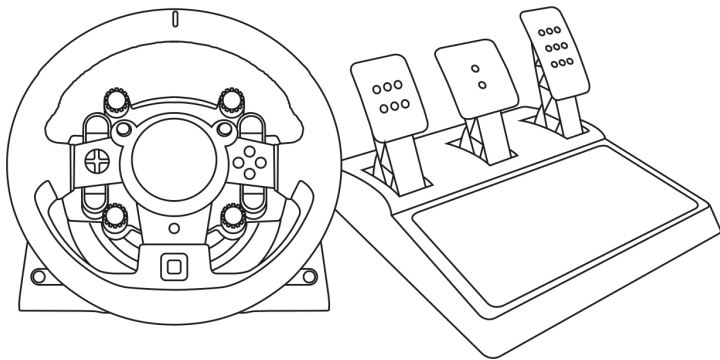
www.thrustmaster.com



T-GT II

Для консолей PlayStation®5 и консолей PlayStation®4

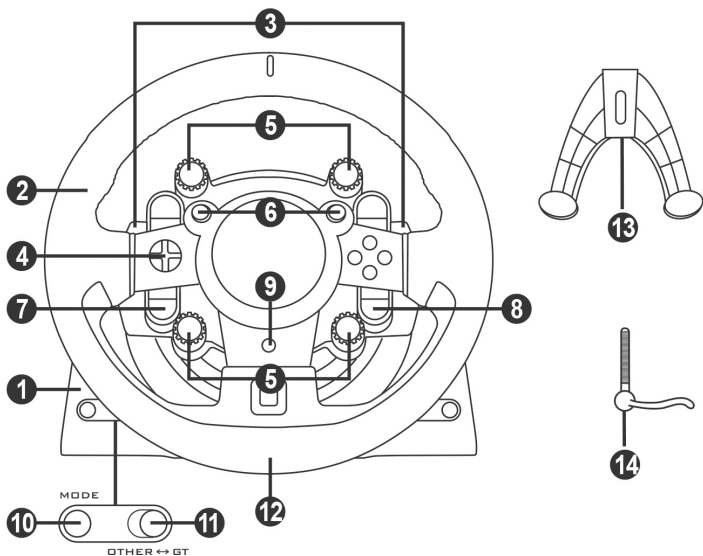
Инструкция по эксплуатации



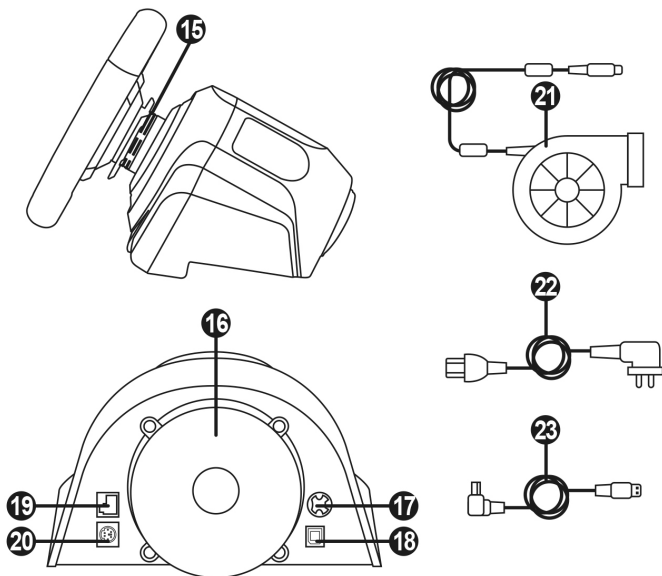
ВНИМАНИЕ!

Для обеспечения оптимальной совместимости рулевой системы T-GT II с играми, может потребоваться установка автоматических обновлений для игр (их можно загрузить, подключив консоль к Интернету).

ТЕХНИЧЕСКИЕ ХАРАКТЕРИСТИКИ



- | | | | |
|---|--|----|--|
| 1 | База системы T-GT II | 8 | Кнопка OPTIONS |
| 2 | Руль T-GT II | 9 | Кнопка PS |
| 3 | 2 лепестковых переключателя (вверх и вниз) | 10 | Кнопка MODE + красный/зеленый индикатор |
| 4 | Многопозиционная кнопка | 11 | Встроенный переключатель USB-входа: OTHER / GT |
| 5 | 4 поворотных переключателя с функцией Push | 12 | Резьба под большой винт (для системы крепления и крепежного винта) |
| 6 | 2 мини-джойстика | 13 | Система крепления |
| 7 | Кнопка SHARE/CREATE | 14 | Металлический крепежный винт |



- | | |
|---|---|
| <p>15 Система крепления Thrustmaster Quick Release</p> <p>16 Система эффектов T-DFB (совместима только с консолями PS5™ и консолями PS4™ в режиме GT)</p> <p>17 Разъем для блока питания T-TURBO</p> <p>18 Разъем для съемного USB-кабеля</p> <p>19 Разъем для педального блока</p> | <p>20 Разъем для переключателя TН8A (переключатель приобретается отдельно)</p> <p>21 Блок питания T-TURBO</p> <p>22 Кабель блока питания</p> <p>23 Съемный USB-кабель</p> |
|---|---|

ПОДКЛЮЧЕНИЕ РУЛЕВОЙ СИСТЕМЫ К ЭЛЕКТРОРОЗЕТКЕ ВНИМАТЕЛЬНО ПРОЧИТЕ СЛЕДУЮЩЕЕ!



Ни в коем случае не подключайте блок питания T-TURBO к электросети с недопустимым напряжением! Допустимое напряжение блока питания T-TURBO указано на ярлыке над гнездом для подключения кабеля.



Ни в коем случае не подключайте к базе T-GT II иной блок питания, кроме T-TURBO, даже в случае совместимости разъема! В частности, нельзя подключать к базе T-GT II сетевой адаптер для руля T500 RS.

ПРЕДУПРЕЖДЕНИЯ

Перед эксплуатацией данного изделия внимательно ознакомьтесь с настоящей инструкцией и сохраните ее на будущее.



Внимание — опасность поражения электрическим током!

- * Изделие следует хранить в сухом месте, избегая попадания на него пыли и солнечного света.
- * Не допускается перекручивание разъемов и кабелей; кабели нельзя тянуть.
- * Не допускается попадание жидкости на изделие и его разъемы.
- * Не допускается короткое замыкание в цепи изделия.
- * Запрещается разбирать изделие, бросать изделие в огонь и подвергать его воздействию высоких температур.
- * Не допускается использование других кабелей питания, кроме кабеля, входящего в комплект рулевой системы.
- * Нельзя использовать кабель питания, если он или его разъемы повреждены, потрескались или сломаны.
- * Убедитесь, что кабель питания должным образом подключен к электророзетке и к разъему на задней стороне базы рулевого колеса.
- * Нельзя вскрывать систему рулевого колеса — в ней нет деталей, которые могут обслуживаться пользователем. Любой ремонт должен выполняться производителем, его авторизованным представителем или квалифицированным техническим специалистом.
- * Допускается использование только одобренных производителем систем крепления и аксессуаров.
- * В случае ненормального функционирования рулевой системы (при возникновении посторонних звуков, перегреве или запахе) следует немедленно прекратить использование системы, выключить кабель питания из розетки и отсоединить все остальные кабели.
- * Если предполагается, что рулевая система не будет использоваться продолжительное время, отключите кабель питания от розетки.
- * Электророзетка должна находиться поблизости от системы и в удобном доступе.

Информация об адаптере для блока питания 220 В

Опубликованная информация	Значение	Единица
Название или торговый знак производителя, номер и адрес торговой регистрации	GUILLEMOT CORPORATION S.A. 414 196 758 Rennes Place du Granier BP 97143 35571 Chantepie Cedex France/Франция	
Идентификатор модели	Turbo Power 220V	
Входное напряжение	220–240	В
Входная частота переменного тока	50/60	Гц
Выходное напряжение	24,0	В переменного тока
Выходной ток	4,0	А
Выходная мощность	96,0	Вт
Средний КПД в рабочем режиме	90,9	%
КПД при малой нагрузке (10 %)	86,8	%
Потребляемая мощность без нагрузки	0,01	Вт



Вентиляционные отверстия

Не допускается блокирование вентиляционных отверстий на базе рулевой системы. Для обеспечения оптимальной вентиляции выполните следующие указания:

- * размещайте базу руля на расстоянии не менее 10 см от стен;
- * не размещайте базу в стесненном пространстве;
- * ничем не накрывайте базу;
- * не допускайте скопления пыли на вентиляционных отверстиях.



Из соображений безопасности никогда не нажимайте на педали босой ногой или ногой в носке (без обуви).

КОМПАНИЯ THRUSTMASTER® ОТКАЗЫВАЕТСЯ ОТ ЛЮБОЙ ОТВЕТСТВЕННОСТИ В СЛУЧАЕ ПОЛУЧЕНИЯ ТРАВМЫ В РЕЗУЛЬТАТЕ НАЖИМАНИЯ НА ПЕДАЛИ НЕОБУТЫМИ НОГАМИ.



Внимание — риск травмирования в результате повторяющихся движений и действия силовой обратной связи

Использование рулевой системы с силовой обратной связью может вызвать боль в мышцах или суставах. Советы по предотвращению проблем со здоровьем:

- * не проводите за игрой продолжительное время;
- * после каждого часа игры делайте 10-15-минутный перерыв;
- * если в кистях, запястьях, предплечьях, стопах или ногах появилась усталость или боль, прекратите игру и отдохните в течение нескольких часов, прежде чем снова приступить к игре.
- * если вышеуказанные признаки проявляются снова при возвращении к игре, прекратите игру и обратитесь к врачу;
- * держите систему вне доступа детей;
- * во время игры правильно располагайте обе руки на рулевом колесе и не позволяйте ему вращаться бесконтрольно;
- * во время игры ни в коем случае не засовывайте руки или пальцы под педали и не держите их рядом с педальным блоком;
- * во время калибровки и игры ни в коем случае не засовывайте руки в рулевое колесо;
- * обеспечьте надежную фиксацию базы рулевого колеса в соответствии с указаниями в инструкции по эксплуатации.

ТЯЖЕЛОЕ ИЗДЕЛИЕ

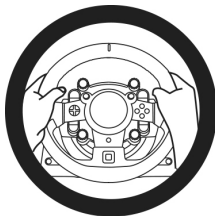


Не допускается использование изделия лицами моложе 16 лет



Не роняйте изделие на себя или на других лиц!

ПРАВИЛЬНО



НЕЛЬЗЯ



НЕЛЬЗЯ



Предупреждение — возможно сжатие педального блока во время игры

- * Держите педальный блок вне доступа детей.
- * Во время игры ни в коем случае не кладите пальцы на педали и не засовывайте их с боковых сторон педального блока.
- * Во время игры ни в коем случае не засовывайте их сзади в базу педального блока.
- * Во время игры ни в коем случае не засовывайте их спереди в базу педального блока.

НЕЛЬЗЯ



НЕЛЬЗЯ



НЕЛЬЗЯ



Предупреждение — возможно сжатие педального блока во время простоя

- * Храните педальный блок в безопасном месте вне зоны доступа детей.

ОБНОВЛЕНИЕ ПРОШИВКИ РУЛЕВОГО КОЛЕСА

Прошивку в базе рулевого колеса можно обновить до более поздней версии, содержащей усовершенствования.

Для просмотра установленной в данный момент версии прошивки и ее обновления при необходимости откройте сайт <https://support.thrustmaster.com/>. Выберите **Гоночные рули / T-GT II**, затем **Прошивка** выполните указания по загрузке и установке.

Важно!

При использовании ПК переключатель USB (11) на базе рулевого колеса всегда должен находиться в положении OTHER.

УСТАНОВКА РУЛЕВОГО КОЛЕСА НА БАЗУ

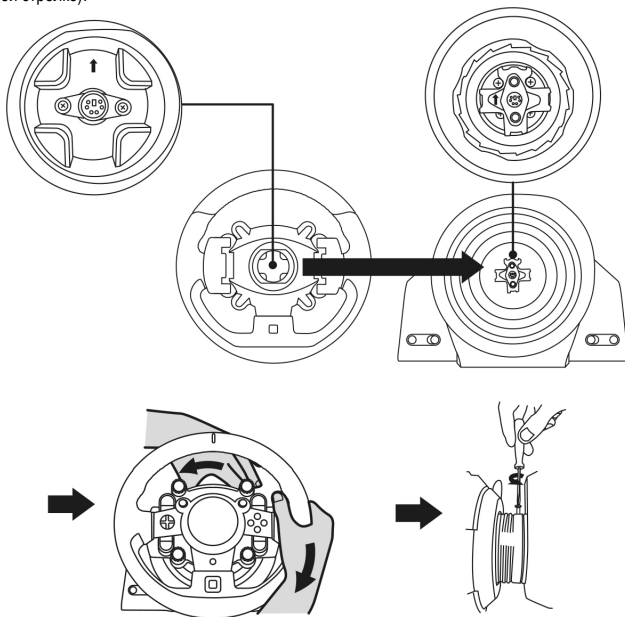
С помощью стрелок соотнесите разъемы.

Разъем на базе (1): стрелка указывает вверх.

Разъем на руле (2): стрелка указывает вверх.

После правильного позиционирования разъемов просто поверните кольцо крепежной системы Thrustmaster Quick Release (15) против часовой стрелки, удерживая на месте руль (2).

Затем с максимальным усилием затяните кольцо, удерживая его на месте и поворачивая руль (по часовой стрелке).



Установив руль, поверните его на 180° (если смотреть на руль, логотип GT должен быть перевернут «вверх ногами»), чтобы получить доступ к малому крепежному винту на кольце системы Thrustmaster Quick Release (15). С помощью большой отвертки Phillips затяните малый крепежный винт (без чрезмерного усилия) по часовой стрелке.

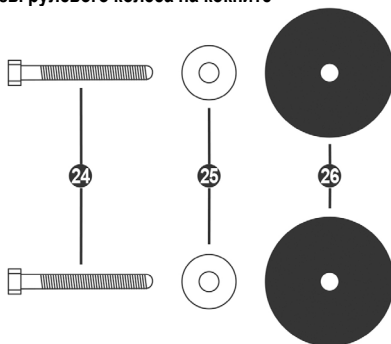


Не прилагайте чрезмерных усилий при затягивании малого крепежного винта (с помощью отвертки Phillips)!

Прекратите затягивание, как только почувствуете сопротивление

УСТАНОВКА РУЛЕВОЙ СИСТЕМЫ

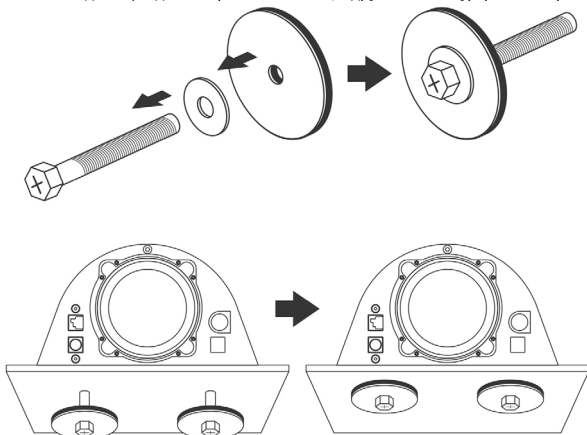
Закрепление базы рулевого колеса на кокпите



24 2 винта с шестигранными головками типа M6/Phillips

25 2 шайбы

26 2 монтажных диска (с одной стороны — металл, с другой — текстурированная резина)



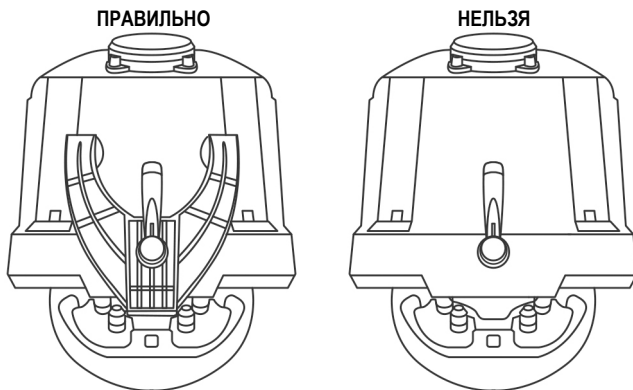
1. Приложите шайбы (25) к монтажным дискам с металлической стороны (26) и вставьте винты с шестигранными головками типа M6/Phillips (24).
2. Разместите базу рулевого колеса на щитке кокпита.
3. С помощью 10-мм гаечного ключа или крестообразной отвертки прикрутите монтажный комплект к панели кокпита и к 2 небольшим резьбовым отверстиям на нижней стороне рулевой системы.

ВНИМАНИЕ!

- Нельзя снимать прокладки из пены на нижней стороне базы рулевой системы! Эти прокладки усиливают эффекты системы T-DFB при установленном руле.
- Сторона монтажных дисков с текстурированной резиной (26) обязательно должна быть обращена к панели кокпита = ни в коем случае не поворачивайте диски к кокпиту металлической стороной.

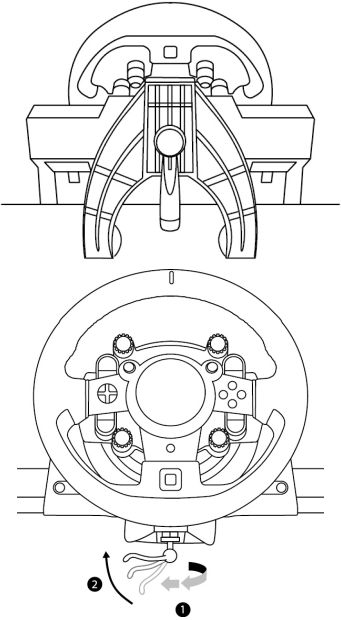
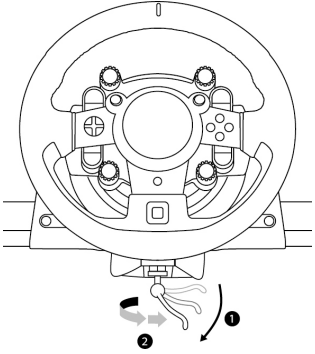
Размещение рулевого колеса на столе.

1. Расположите гоночный руль на столе или иной горизонтальной плоской и устойчивой поверхности.
2. Вставьте крепежный винт (11) в систему крепления (10) и надежно зафиксируйте руль, затягивая винт против часовой стрелки, так чтобы он вошел в большое резьбовое отверстие (9), расположенное ниже руля.



ВНИМАНИЕ!

- Нельзя закручивать винт без системы крепления! (В противном случае возможно повреждение рулевой системы.)
- Нельзя снимать прокладки из пены на нижней стороне базы рулевой системы! Эти прокладки усиливают эффекты системы T-DFB при установленном руле.

УСТАНОВКА / ДЕМОНТАЖ	НАПРАВЛЕНИЕ
<p><u>Фиксация</u></p> <p><i>Закручивайте винт против часовой стрелки</i></p>	
<p><u>Ослабление</u></p> <p><i>Раскручивайте винт по часовой стрелке</i></p>	

НАСТРОЙКА ГОНОЧНОГО РУЛЯ ДЛЯ КОНСОЛЕЙ PS5™ И КОНСОЛЕЙ PS4™

1. Подключите педальный блок к разъему (19) на задней стороне базы рулевого колеса.
2. Подключите блок питания T-TURBO (21) к разъему (17).
3. Подключите кабель блока питания (22) к блоку питания T-TURBO и к электророзетке с указанным напряжением.
4. Установите USB-переключатель (11) в положение «OTHER» или «GT» в зависимости от используемой игры на PS5™ или игры на PS4™.
5. Подключите съемный USB-кабель (23) к соответствующему разъему (18) и к USB-порту на панели консоли PS5™ или консоли PS4™.
6. После включения консоли PS5™ или консоли PS4™ калибровка гоночного руля будет выполнена автоматически.
7. Нажмите кнопку PS (9) на гоночном руле и войдите в свою учетную запись PlayStation™Network для возможности использовать руль.
Теперь все готово для игры!

Важно!

- Не забудьте нажать кнопку PS (9) на рулевой системе для включения функциональности рулевой системы.
- Переключатель USB-входа (11) на базе рулевого колеса обязательно должен быть переведен в правильное положение (OTHER или GT) перед подключением USB-кабеля к консоли.
Изменение положения переключателя: отключите USB-кабель, установите переключатель в необходимое положение, а затем снова подключите USB-кабель к консоли.
- Список игр для PlayStation®5 и игр для PlayStation®4, совместимых с рулем T-GT II (вместе с указанием необходимого положения USB-переключателя (11) в зависимости от используемой игры), доступен здесь: <https://support.thrustmaster.com> (в разделе «Гоночные рули/T-GT II»). Этот список регулярно обновляется.

USB-ПЕРЕКЛЮЧАТЕЛЬ (11) В ПОЛОЖЕНИИ «OTHER» ДЛЯ ИГР НА PS5™ И ИГР НА PS4™, КРОМЕ GT SPORT

Если переключатель USB-входа (11) находится в положении OTHER:

- * Система силовой обратной связи работает, однако система эфффектов T-DFB (16) – нет.

ПЕРЕКЛЮЧАТЕЛЬ USB-ВХОДА (11) В ПОЛОЖЕНИИ GT ДЛЯ ИГРЫ GT SPORT (И ПОСЛЕДУЮЩИХ ИГР GT)

Если переключатель USB-входа (11) находится в положении GT:

- * Система силовой обратной связи и система эфффектов T-DFB (16) работают одновременно. В параметрах игры GT Sport можно независимо отрегулировать уровень мощности каждой системы.

НАСТРОЙКА РУЛЕВОЙ СИСТЕМЫ ДЛЯ ПК*

*Совместимость с ПК не была подтверждена компаниями Sony Interactive Entertainment Europe и Sony Interactive Entertainment LLC.

Подробнее см. на сайте <https://support.thrustmaster.com/>.

АВТОМАТИЧЕСКАЯ КАЛИБРОВКА РУЛЯ И ПЕДАЛЬНОГО БЛОКА

Калибровка гоночного руля выполняется автоматически при подключении рулевой системы к электророзетке и к игровой консоли через USB-разъем.

Во время этой процедуры руль быстро вращается влево и вправо, совершая поворот на 1080 градусов, и затем останавливается в центре.



ВНИМАНИЕ!

Во время автокалибровки нельзя дотрагиваться до руля!

(В противном случае возможен сбой калибровки и/или телесная травма).

АВТОМАТИЧЕСКАЯ КАЛИБРОВКА ПЕДАЛЬНОГО БЛОКА

Нельзя подключать педальный блок к базе рулевого колеса (и отключать его от базы), если система подключена к консоли и во время игры (в противном случае возможен сбой калибровки). Педальный блок следует подключать к рулевой системе перед ее подключением к консоли.

После завершения калибровки руля и запуска игры несколькими нажатиями на педали включается их автоматическая калибровка.



ВНИМАНИЕ!

Нельзя нажимать педали во время автокалибровки руля и во время загрузки игры!

(В противном случае возможен сбой калибровки).

Если гоночный руль и/или педальный блок не работают должным образом или кажутся неверно откалиброванными:

выключите консоль и полностью отсоедините рулевую систему; затем заново подключите все кабели (в том числе кабели питания и педального блока) и перезапустите консоль и игру.

ВСТРОЕННАЯ СИСТЕМА ОХЛАЖДЕНИЯ БАЗЫ РУЛЕВОГО КОЛЕСА

Встроенная система охлаждения для базы руля:

- начинает работать при включении руля;
- выключается после нескольких минут бездействия, когда внутренняя температура устройства падает до низкого уровня;
- снова включается при использовании руля.

КНОПКА И ИНДИКАТОР MODE(10)

Кнопка MODE для педального блока

Рулевая система совместима с педальными блоками Thrustmaster с тремя педалями; на которых можно электронным способом поменять местами педали сцепления и газа. Для этого достаточно нажать кнопку MODE (10) на 2 сек. Во встроенной памяти рулевой системы сохраняются данные о переносе педалей.

ПЕДАЛИ УСКОРЕНИЯ И СЦЕПЛЕНИЯ	Цвет индикатора MODE (10)
ОБЫЧНЫЙ РЕЖИМ	КРАСНЫЙ
ОБРАТНЫЙ РЕЖИМ	ЗЕЛЕНЬЙ

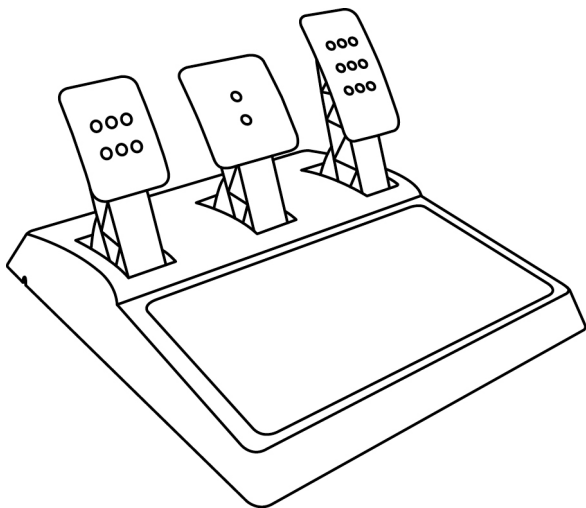
Другие советы по использованию кнопки MODE

Подробнее о кнопке и индикаторе MODE рассказывается на сайте <https://support.thrustmaster.com/>. Щелкните Гоночные рули / T-GT II и выберите Инструкции по эксплуатации или Часто задаваемые вопросы.

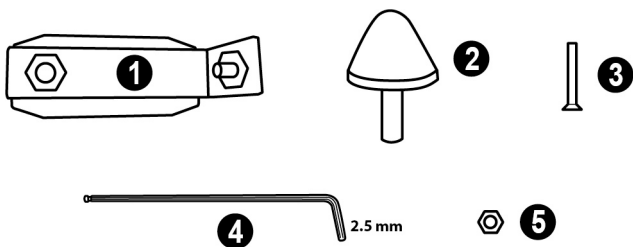
СПРАВКА И ОТВЕТЫ НА ЧАСТЫЕ ВОПРОСЫ

Посетите сайт <https://support.thrustmaster.com/>. Щелкните Гоночные рули / T-GT II и выберите Инструкция по эксплуатации или Часто задаваемые вопросы.

ПЕДАЛЬНОГО БЛОКА **T-GT II EDITION**

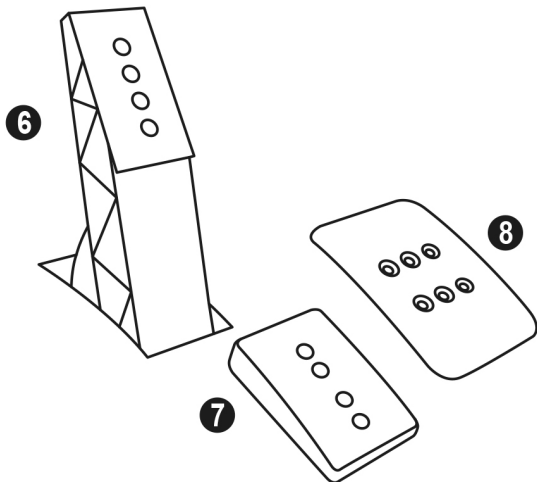


ТЕХНИЧЕСКИЕ ХАРАКТЕРИСТИКИ



- 1 Металлическая база для конусообразного стопора
(по умолчанию не установлена)
2 Конусообразный стопор

- 3 Крепежный винт для металлической базы
4 6-гранный ключ 2,5 мм (в комплекте)
5 Регулировочная гайка для конусообразного стопора



- 6 Металлический рычаг педали
7 Пластиковая прокладка

- 8 Металлическая педаль

ВНИМАНИЕ!

Перед эксплуатацией данного изделия внимательно ознакомьтесь с настоящей инструкцией и сохраните ее на будущее.



Из соображений безопасности никогда не нажимайте на педали босой ногой или ногой в носке (без обуви).

КОМПАНИЯ THRUSTMASTER® ОТКАЗЫВАЕТСЯ ОТ ЛЮБОЙ ОТВЕТСТВЕННОСТИ В СЛУЧАЕ ПОЛУЧЕНИЯ ТРАВМЫ В РЕЗУЛЬТАТЕ НАЖИМАНИЯ НА ПЕДАЛИ НЕОБУТЫМИ НОГАМИ.



Предупреждение — опасность защемления педальным блоком во время игры

- * Храните педальный блок вне доступа детей.
- * Во время игры ни в коем случае не кладите пальцы рук или ног на педали и не засовывайте их с боковых сторон педального блока.
- * Во время игры ни в коем случае не кладите пальцы рук или ног на педали и не засовывайте их с задней стороны педального блока.
- * Во время игры ни в коем случае не кладите пальцы рук или ног на педали и не засовывайте их с передней стороны педального блока.

НЕЛЬЗЯ



НЕЛЬЗЯ



НЕЛЬЗЯ



АВТОМАТИЧЕСКАЯ КАЛИБРОВКА ПЕДАЛЕЙ



- Во избежание проблем с калибровкой ни в коем случае не подключайте и не отключайте pedalный блок от базы руля, когда он подключен к консоли PS5™, к консоли PS4™ или к ПК, либо во время игры.
- Перед подключением руля к консоли PS5™, к консоли PS4™ или к ПК всегда в первую очередь подключайте pedalный блок.
- После автокалибровки руля и запуска игры автоматически несколькими нажатиями на педали запускается автоматическая калибровка педалей.
- Во избежание проблем с калибровкой ни в коем случае не нажимайте на педали во время автокалибровки и во время запуска игры.
- Если педали не работают должным образом или кажутся неверно откалиброванными, выключите консоль, полностью отсоедините рулевую систему и заново подключите все кабели (в том числе кабель питания и кабель pedalного блока, включите консоль и перезапустите игру).

ЗАКРЕПЛЕНИЕ ПЕДАЛЬНОГО БЛОКА В КОКПИТЕ

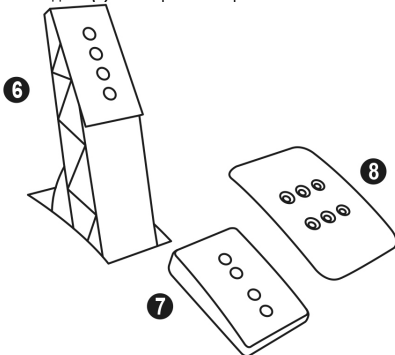
- Закрепите pedalный блок с помощью небольших резьбовых отверстий на его нижней поверхности.
- Закрутите два винта М6 (не входят в комплект) в площадку для pedalного блока и в два небольших винтовых отверстия на нижней стороне pedalного блока.

Важно! Длина винтов М6 не должна превышать толщину площадки больше чем на 10 мм во избежание повреждений внутренних деталей pedalного блока.

РЕГУЛИРОВКА ПЕДАЛЬНОГО БЛОКА

Конструкция педалей:

- металлическая площадка педали (8) с несколькими отверстиями (9 отверстий на педали газа, 2 — на педали тормоза, 6 — на педали сцепления);
- пластиковая прокладка для площадки (7) (крепится между площадкой и рычагом) с четырьмя отверстиями;
- металлический рычаг педали (6) с четырьмя отверстиями.

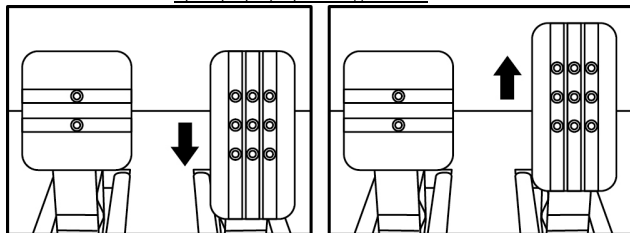


ВНИМАНИЕ! Во избежание проблем с калибровкой перед изменением каких-либо параметров педального блока предварительно обязательно отключите USB-кабель руля от консоли PS5™ или консоли PS4™.

Регулировка трех педалей по ВЫСОТЕ

- С помощью входящего в комплект шестигранного ключа 2,5 мм (4) открутите 2 винта, удерживающих металлическую площадку (8) и прокладку (7).
- Выберите нужную высоту педали и заново закрутите винты для жесткой фиксации металлической площадки (8) и прокладки (7).

Примеры регулировки педали газа:



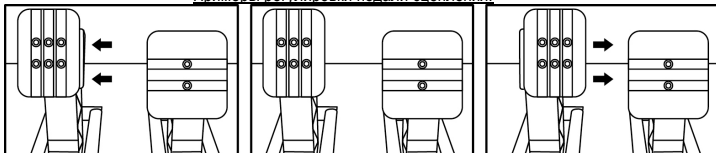
Нижнее положение

Высокое положение

Регулировка РАССТОЯНИЯ между педалями газа и сцепления

- С помощью входящего в комплект шестигранного ключа 2,5 мм (4) открутите 2 винта, удерживающих металлическую площадку (8) и прокладку (7).
- Выберите нужное положение педали (слева, по центру или справа) и заново закрутите винты для жесткой фиксации металлической площадки (8) и прокладки (7).

Примеры регулировки педали сцепления:



Левое положение

Центральное положение (по умолч.)

Правое положение

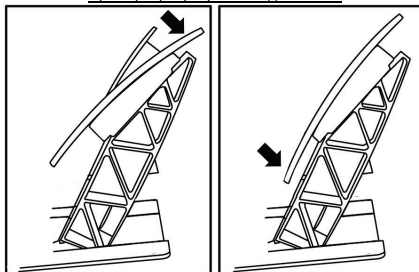
Количество возможных положений для педали:

- 3 для педали газа;
- 3 для педали сцепления.

Регулировка УГЛА НАКЛОНА трех педалей

- С помощью входящего в комплект шестигранного ключа 2,5 мм (4) открутите 2 винта, удерживающих металлическую площадку (8) и прокладку (7).
- Поверните пластиковую прокладку (7) на 180° и заново закрутите винты для жесткой фиксации металлической площадки (8) и прокладки (7).

Примеры регулировки педали газа:



Угол наклона меньше

Угол наклона больше (по умолч.)

Количество возможных положений для педали:

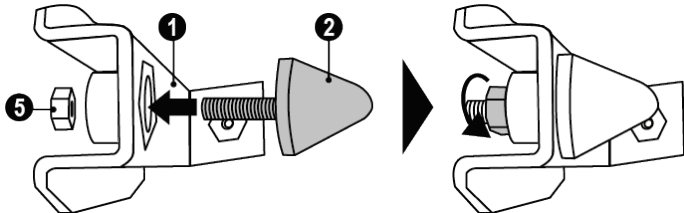
- 2 для педали газа;
- 2 для педали тормоза;
- 2 для педали сцепления.

Установка конусообразного стопора (конфигурация CONICAL RUBBER BRAKE mod)

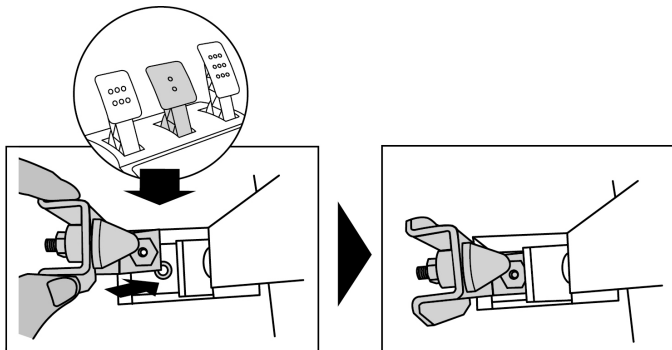
Данная конфигурация (mod) необязательна, поэтому стопор по умолчанию не установлен. Это означает, что педаль тормоза превосходно работает и без установленного стопора mod.

Стопор mod позволяет добиться новых ощущений и сопротивления при торможении. Пользователь по своему усмотрению решает, следует ли его устанавливать.

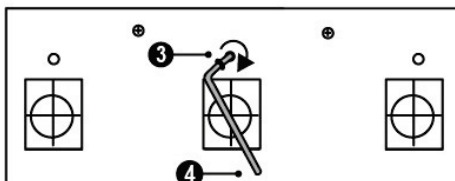
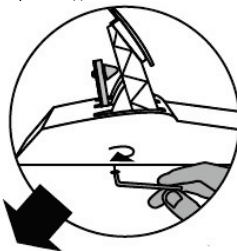
- Вкрутите конусообразный стопор (2) в металлическую базу (1).
- Накрутите регулировочную гайку (5) снизу (на винт конусообразного стопора).



- Разместите модуль позади рычага педали тормоза.



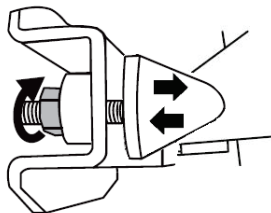
- Закрепите модуль с помощью шестигранного ключа 2,5 мм (4), вкрутив крепежный винт (3) в небольшое резьбовое отверстие на нижней стороне педального блока.



Модуль CONICAL RUBBER BRAKE мод установлен!

Регулировка ШАГА педали тормоза и СИЛЫ сопротивления

Слегка ослабив гайку (5) и сдвинув конусообразный стопор (2) к задней части рычага педали, можно еще больше усилить сопротивление педали тормоза (при необходимости дотяните гайку с помощью 14-мм ключа или пассатижей, закрепив выбранное положение). Чем ближе к задней части рычага педали расположен конусообразный стопор, тем больше сила сопротивления.



Примечание: если конусообразный стопор расположен слишком близко к задней части рычага педали, могут возникнуть проблемы с достижением максимального значения калибровки. В этом случае:

- * медленно со всей силы надавите на педаль тормоза, чтобы выжать ее до упора (при необходимости быстро наступите на педаль всем весом — но только на мгновение), затем отпустите педаль; или
- * отодвиньте конусообразный стопор от задней части рычага педали.

Сведения о потребительской гарантии

Корпорация Guillemot Corporation S.A., зарегистрированная по адресу Place du Granier, B.P. 97143, 35571 Chantepie, Франция, (далее — «Guillemot») гарантирует своим клиентам во всем мире, что в данном изделии Thrustmaster не будет выявлено никаких дефектов материалов и производства в течение гарантийного периода, который равен сроку предъявления претензии по соответствию для данного изделия. В странах Европейского Союза этот срок соответствует двум (2) годам с момента поставки изделия Thrustmaster. В других странах гарантийный период равен сроку предъявления претензии по соответствию для изделия Thrustmaster, определяемому соответствующим законодательством страны, в которой проживал потребитель на момент приобретения изделия Thrustmaster (если подобные претензии не действуют в соответствующей стране, гарантийный период равняется одному (1) году с первоначальной даты приобретения изделия Thrustmaster).

В случае обнаружения дефектов изделия во время гарантийного периода незамедлительно обратитесь в службу технической поддержки, сотрудниками которой определят дальнейшую процедуру. Если дефект будет подтвержден, изделие следует вернуть по месту приобретения (или в любое другое место, указанное службой технической поддержки).

В рамках действия гарантии дефектное изделие будет, по усмотрению службы технической поддержки, заменено или возвращено в рабочее состояние. Если в течение гарантийного срока изделие Thrustmaster будет подвержено такому восстановлению, к оставшемуся гарантийному сроку прибавляется период времени, но не менее семи (7) дней, во время которого изделие находилось вне употребления (началом этого периода считается дата запроса покупателя о вмешательстве или дата предоставления дефектного изделия для восстановления, если изделие было предоставлено для восстановления позднее, чем был сделан запрос о вмешательстве). В мере, разрешенной применимым законодательством, полная ответственность компании Guillemot и ее дочерних компаний (в том числе косвенный ущерб) ограничивается восстановлением рабочего состояния или заменой изделия Thrustmaster. В мере, разрешенной применимым законодательством, компания Guillemot отказывается от любых гарантий коммерческой пригодности или пригодности для определенной цели.

Настоящая гарантия не распространяется: (1) на ситуации, когда изделие было видоизменено, открыто, модифицировано или получило повреждения в результате недопустимого или неправильного использования, небрежности или несчастного случая, естественного износа или любой другой причины, не связанной с дефектом материалов или производства (включая, помимо прочего, использование изделия Thrustmaster совместно с любыми неподходящими элементами, в частности — с блоками питания, аккумуляторами, зарядными устройствами и любыми другими элементами, не входящими в комплектацию Guillemot для данного изделия); (2) на случаи использования продукта в любых целях, кроме бытовых, в том числе на случаи профессионального или коммерческого применения (например, в игровых залах, для проведения обучения и соревнований); (3) на ситуации, когда указания службы технической поддержки не были выполнены; (4) на ПО, так как на такое ПО распространяется отдельная гарантия; (5) на расходные материалы (элементы, предназначенные для замены в течение срока службы изделия: например, батарейки и ушные подушки для гарнитуры или наушников); (6) на аксессуары (например, кабели, чехлы, сумки, футляры, наручные ремешки); (7) на случаи продажи изделия с открытого аукциона. Данная гарантия не подлежит передаче.

Настоящая гарантия не ущемляет прав потребителя, предоставляемых ему применимыми законами в отношении продажи потребительских товаров в соответствующей стране.

Дополнительные условия гарантии

В течение гарантийного срока компания Guillemot, в общем и целом, не предоставляет никаких запасных частей, так как вскрытие и/или модификацию любых изделий Thrustmaster вправе осуществлять только служба технической поддержки (за исключением каких-либо процедур по модификации, которые служба технической поддержки может предложить выполнить клиенту путем письменных инструкций и предоставления, при необходимости, требуемых запасных частей: например, в связи с отсутствием статуса сложности или конфиденциальности у такой восстановительной процедуры).

С учетом периода освоения новых изделий и в целях защиты своих ноу-хау и коммерческих тайн компания Guillemot, в общем и целом, не предоставляет каких-либо уведомлений о восстановлении или запасных частей для любых изделий Thrustmaster с истекшим гарантийным сроком.

Ответственность

В мере, разрешенной применимым законодательством, компания Guillemot Corporation S.A. (далее — «Guillemot») и ее дочерние предприятия отказываются от любой ответственности за любой ущерб, вызванный одним или несколькими из следующих факторов: (1) видоизменение, вскрытие или модификация изделия; (2) несоблюдение инструкций по сборке; (3) недопустимое или неправильное использование, небрежность, несчастный случай (например, физическое воздействие); (4) естественный износ; (5) использование продукта в любых целях, кроме бытовых, в том числе профессиональное или коммерческое применение (например, в игровых залах, для проведения обучения и соревнований). В мере, разрешенной применимым законодательством, компания Guillemot и ее дочерние предприятия отказываются от любой ответственности за любой ущерб, не связанный с дефектами материалов или изготовления, в отношении данного изделия (включая, помимо прочего, любой ущерб, вызванный прямо или опосредованно любым программным обеспечением или использованием изделия Thrustmaster с любыми неподходящими элементами, в частности — блоками питания, аккумуляторами, зарядными устройствами и любыми другими элементами, не входящими в комплектацию Guillemot для данного изделия).

THRUSTMASTER®

ТЕХНИЧЕСКОЙ ПОДДЕРЖКИ
<https://support.thrustmaster.com>



АВТОРСКИЕ ПРАВА

© Guillemot Corporation S.A., 2021. Все права защищены. Thrustmaster® является зарегистрированным товарным знаком корпорации Guillemot Corporation S.A. Выпускается и распространяется корпорацией Guillemot Corporation S.A. Все прочие товарные знаки и названия брендов подтверждаются настоящим документом и являются собственностью их соответствующих владельцев. Содержимое, дизайн и технические характеристики могут меняться без предварительного уведомления и отличаться в зависимости от страны. Фотографии и иллюстрации могут не соответствовать внешнему виду или функциям конкретного изделия. Разработан в Северной Америке и Европе. Изготовлен в Китае.

Для эксклюзивного использования с консолями PlayStation®5 и консолями PlayStation®4.

«PS», «PlayStation», «PS5» и «PS4» являются зарегистрированными товарными знаками или товарными знаками компании Sony Interactive Entertainment Inc. Все права защищены. Все прочие товарные знаки являются собственностью их соответствующих владельцев. Выпускается и распространяется по лицензии компании Sony Interactive Entertainment LLC.

Gran Turismo и логотип Gran Turismo являются зарегистрированными товарными знаками или товарными знаками компании Sony Interactive Entertainment Inc.

Технология TouchSense® используется по лицензии компании Immersion Software Ireland Limited. Охраняется одним или несколькими патентами США, доступными по адресу www.immersion.com/patent-marking.html, а также другими патентами, заявки на которые находятся на рассмотрении.

При использовании изделием учитывайте следующее: цвета и дизайн могут различаться.

Пластиковые стяжки и клейкую ленту следует снять перед использованием изделия.

www.thrustmaster.com

EAC

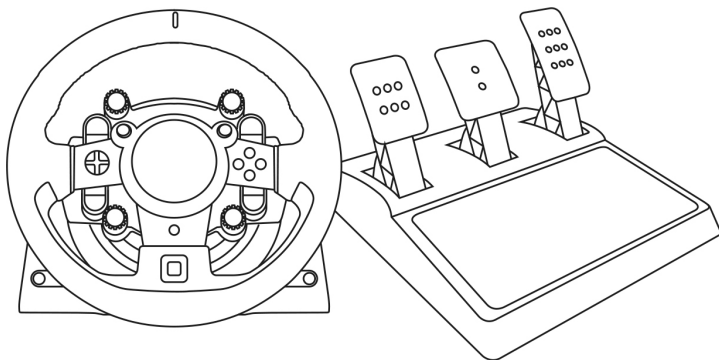


immersion.

T-GT II

Pro konzole PlayStation®5 a konzole PlayStation®4

Uživatelský manuál

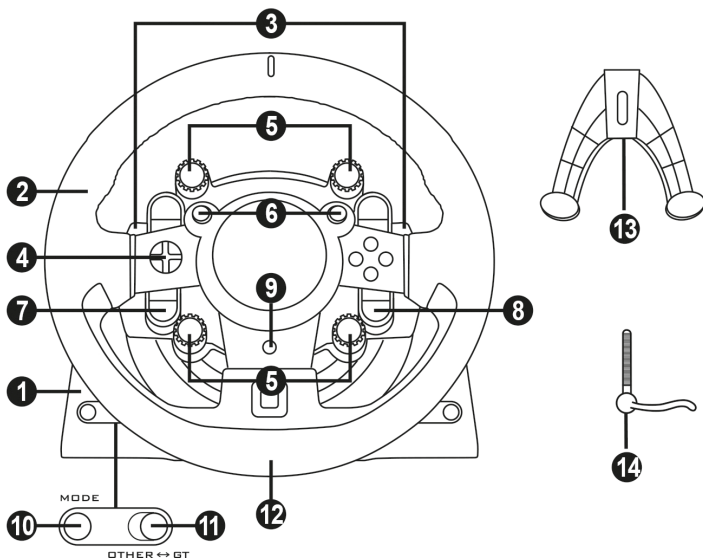


UPOZORNĚNÍ:

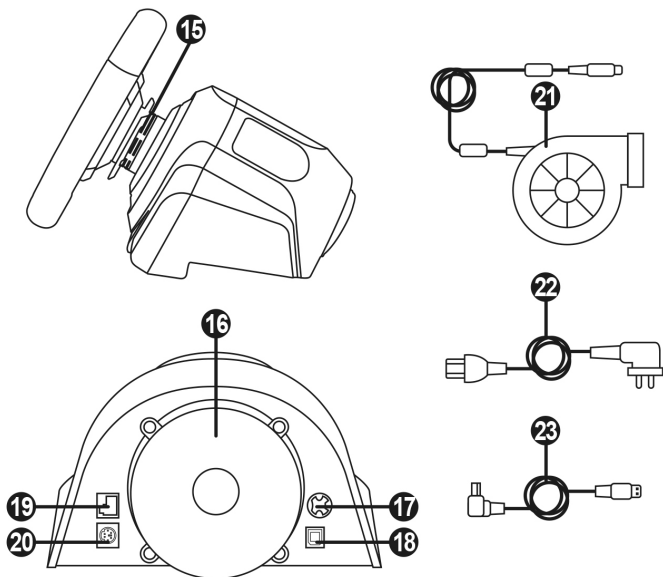
Aby bylo zajištěno, že váš závodní volant T-GT II ve hrách správně funguje, možná budete muset nainstalovat automatické aktualizace her

(jsou dostupné, pokud je vaše konzole připojena k internetu).

TECHNICKÉ VLASTNOSTI



- | | | | |
|---|---|----|---|
| 1 | T-GT II základna | 8 | Tlačítko OPTIONS |
| 2 | T-GT II volant | 9 | Tlačítko PS |
| 3 | 2 sekvenční řadící páky (nahoru a dolů) | 10 | Tlačítko MODE + červeno zelená kontrolka |
| 4 | Směrová tlačítka | 11 | Zabudovaný posuvný USB přepínač:
OTHER / GT |
| 5 | 4 otočné voliče s Push function | 12 | Velký závitový otvor (pro připevňovací
systém a utahovací šroub) |
| 6 | 2 mini páčky | 13 | Připevňovací šroub |
| 7 | Tlačítko SHARE/CREATE | 14 | Kovový utahovací šroub |



- | | |
|---|--|
| <p>15 Mechanismus rychlého uvolnění Thrustmaster</p> <p>16 Systém efektů T-DFB (kompatibilní pouze s konzolemi PS5™ a konzolemi PS4™ v režimu GT)</p> <p>17 Konektor pro napájecí zdroj T-TURBO</p> <p>18 Konektor pro odpojitelý USB kabel</p> <p>19 Konektor pro pedálovou soupravu</p> | <p>20 Konektor pro řadící páku TH8A (řadící páka se prodává samostatně)</p> <p>21 Napájecí zdroj T-TURBO</p> <p>22 Napájecí kabel</p> <p>23 Odpojitelý USB kabel</p> |
|---|--|

PŘIPOJOVÁNÍ VOLANTU K SÍŤOVÉ ZÁSUVCE: PROSÍM, PEČLIVĚ SI PŘEČTĚTE!



Nikdy napájecí adaptér T-TURBO nepřipojujte k rozvodu elektrické energie s jiným jmenovitým napětím! Jmenovité napětí napájecího adaptéru T-TURBO je vyznačeno na štítku nad F konektorem napájení.



Nikdy nepřipojujte jiný napájecí adaptér než T-TURBO k základně T-GT II, dokonce ani v případě, že konektory jsou shodné! Například, nikdy nepřipojujte napájecí adaptér určený pro volant T500 RS k základně T-GT II.

UPOZORNĚNÍ

Před používáním tohoto výrobku si pečlivě přečtete a pro pozdější použití uschovejte tento manuál.



Upozornění – nebezpečí úrazu elektrickým proudem

- * Výrobek udržujte v suchém prostředí a nevystavujte ho prachu a slunečnímu záření.
- * Nekruťte a netahejte za konektory a kabely.
- * Vylučte potřísnění výrobku a konektorů jakoukoliv tekutinou.
- * Výrobek nezkratujte.
- * Výrobek nikdy nerozebírejte, nevhazujte ho do ohně a nevystavujte ho vysokým teplotám.
- * Nepoužívejte jiný napájecí kabel než ten, který byl s volantem dodán.
- * Nepoužívejte napájecí kabel, pokud kabel nebo konektory jsou poničeny nebo zlomeny.
- * Zajistěte, aby napájecí kabel byl správně připojen k elektrickému rozvodu a ke konektoru v zadní části závodního volantu.
- * Závodní volant nerozebírejte: uvnitř nejsou žádné uživatelsky opravitelné části. Jakékoliv opravy musí být prováděny buď výrobcem nebo jeho kvalifikovaným technikem.
- * Použijte připevňovací systém nebo příslušenství doporučené výrobcem.
- * Pokud při používání závodního volantu pozorujete neobvyklé jevy (vydává neobvyklé zvuky, zahřívá se nebo zapáchá), okamžitě ho přestaňte používat, napájecí kabel odpojte od elektrického rozvodu a odpojte i všechny ostatní kabely.
- * Pokud závodní volant nebudete používat po delší dobu, odpojte ho od elektrického rozvodu.
- * Zásuvka elektrického rozvodu musí být umístěna v blízkosti zařízení a musí být snadno dostupná.

Informace pro napájecí adaptér 220 V

Publikované informace	Hodnota	Jednotky
Název výrobce nebo obchodní značka, komerční registrační číslo a adresa	GUILLEMOT CORPORATION S.A. 414 196 758 Rennes Place du Granier BP 97143 35571 Chantepie Cedex France	
Identifikátor modelu	Turbo Power 220V	
Vstupní napětí	220 - 240	V
Frekvence napětí	50 / 60	Hz
Výstupní napětí	24,0	V AC
Výstupní proud	4,0	A
Výstupní výkon	96,0	W
Průměrná aktivní účinnost	90,9	%
Účinnost při nízkém zatížení (10 %)	86,8	%
Spotřeba energie bez zatížení	0,01	W



Větrací otvory

Zajistěte, aby větrací otvory na základně závodního volantu nebyly ničím zakrývány. Optimální větrání zajistíte následujícími opatřeními:

- * Závodní volant umístěte alespoň 10 cm od zdi.
- * Základnu neumísťujte do stísněných prostor.
- * Základnu nezakrývejte.
- * Z ventilačních otvorů pravidelně odstraňujte prach.



Z bezpečnostních důvodů nikdy nepoužívejte pedály s bosýma nohama nebo pouze v ponožkách.

THRUSTMASTER® ODMÍTÁ ODPOVĚDNOST ZA JAKÁKOLIV ZRANĚNÍ PŘI POUŽÍVÁNÍ PEDÁLŮ BEZ BOT.



Upozornění – Možnost zranění opakovanými pohyby a Force Feedback

Hraní her se zapnutou funkcí Force Feedback může způsobit bolesti svalů nebo kloubů. K zamezení těchto problémů:

- * Nehrajte hry příliš dlouho.
- * Každou hodinu si při hraní udělejte 10 až 15 minutovou přestávku.
- * Pokud ucítíte únavu nebo bolesti v ruce, zápěstí, pažích nebo nohách přestaňte hrát a odpočívajte po dobu několika hodin.
- * Pokud při dalším hraní symptomy nebo bolesti přetrvávají, přestaňte hrát a poraďte se s lékařem.
- * Zamezte přístupu dětí k volantu.
- * Během hry ponechte ruce na volantu ve správné poloze, aniž byste ho úplně pustili
- * Během hraní nikdy nevkládejte ruce nebo prsty pod pedály nebo do jejich blízkosti.
- * Během kalibrace nebo při hraní, nikdy nevkládejte ruce nebo paže do otvorů v závodním volantu.
- * Zajistěte, aby základna závodního volantu byla pečlivě připevněna, tak jak je popsáno v tomto manuálu.

TĚŽKÝ VÝROBEK



Výrobek může být používán pouze osobami staršími 16 let.



Výrobek používejte opatrně, aby nespadol na vás nebo někoho jiného!

VŽDY



NIKDY



NIKDY



Upozornění – Nebezpečí přiskřípnutí pedály během hry

- * Zamezte přístupu dětí k volantu.
- * Během hry, nikdy nevkládejte prsty na, nebo kamkoliv do blízkosti okrajů pedálů.
- * Během hry, nikdy nevkládejte prsty na, nebo kamkoliv do blízkosti zadní části základny pedálové soupravy.
- * Během hry, nikdy nevkládejte prsty na, nebo kamkoliv do blízkosti přední části základny pedálové soupravy.

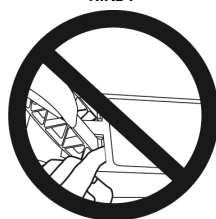
NIKDY



NIKDY



NIKDY



Upozornění – Nebezpečí přiskřípnutí pedály, když nehrajete

- * Pedálovou soupravu skladujte na bezpečném místě mimo dosah dětí.

AKTUALIZACE FIRMWARU VAŠEHO ZÁVODNÍHO VOLANTU

Firmware vašeho závodního volantu lze aktualizovat na nejnovější verzi a zlepšit jeho funkčnost.

Pokud chcete zobrazit aktuální verzi firmwaru a v případě potřeby ji aktualizovat: na PC, navštivte <https://support.thrustmaster.com>. Klikněte na **Racing Wheels / T-GT II**, pak zvolte **Firmware** a postupujte podle pokynů popisující proceduru stažení a instalace.

Důležitá poznámka:

Na PC musí být posuvný přepínač (11) základny závodního volantu vždy v poloze „OTHER“ (ostatní).

MONTÁŽ VOLANTU NA JEHO ZÁKLADNU

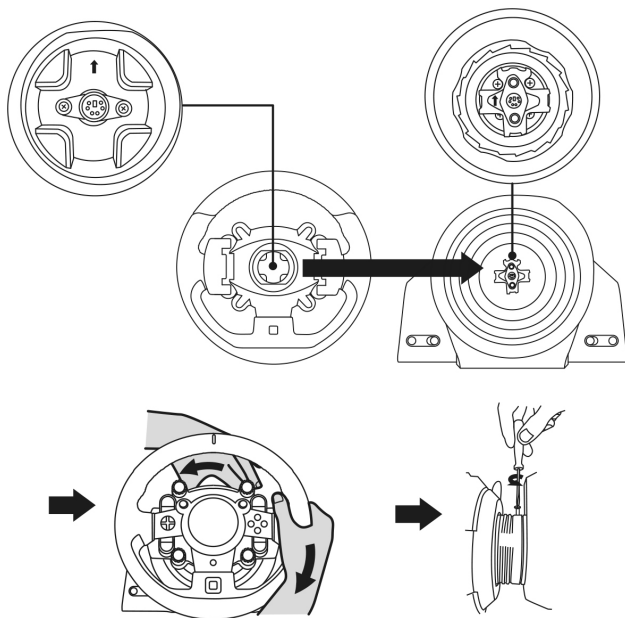
Srovnajte pozici konektoru podle šípek:

Konektor základny (1): Šipka ukazuje nahoru

Konektor závodního volantu (2): Šipka ukazuje nahoru

Jakmile jsou konektory ve správné poloze, jednoduše otočte kroužkem na Thrustmaster Quick Release (15) proti směru hodinových ručiček a současně držte závodní volant (2) ve správné pozici.

Potom kroužek pevně, jak jen můžete, utáhněte: abyste tak učinili, kroužek podržte ve správné pozici a otáčejte volantem ve směru hodinových ručiček.



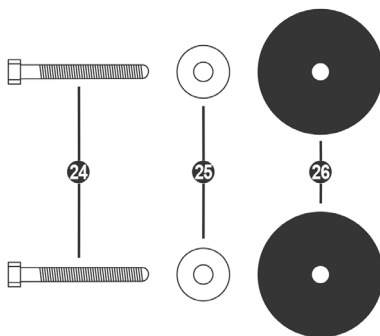
Po nainstalování volantu, ho otočte o 180° (z čelního pohledu by logo volantu mělo být vzhůru nohama), abyste měli přístup k malému připevňovacímu šroubku na kroužku systému Thrustmaster Quick Release (15). Pomocí křížového šroubováku malý šroubek utáhněte (nepoužívejte velkou sílu).



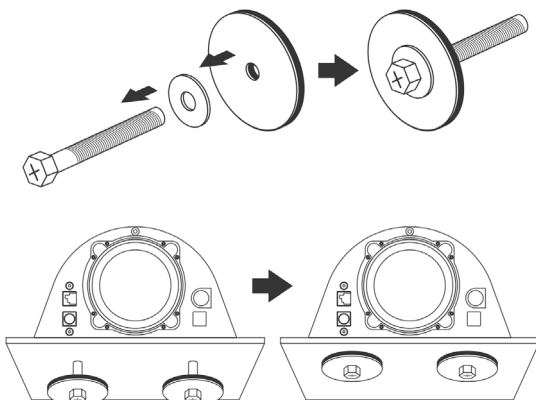
Při utahování šroubku pomocí křížového šroubováku, **NEPOUŽÍVEJTE** příliš velkou sílu!
Jakmile pocítíte odpor, s utahováním přestaňte.

PŘIPEVNĚNÍ ZÁVODNÍHO VOLANTU

Přípevnění základny závodního volantu do kokpitu



- 24 2 M6 šrouby se šesti hranou hlavou/šrouby s Phillips hlavou
- 25 2 podložky
- 26 2 montážní disky (na jedné straně kovové a na druhé straně s texturovanou pryží)



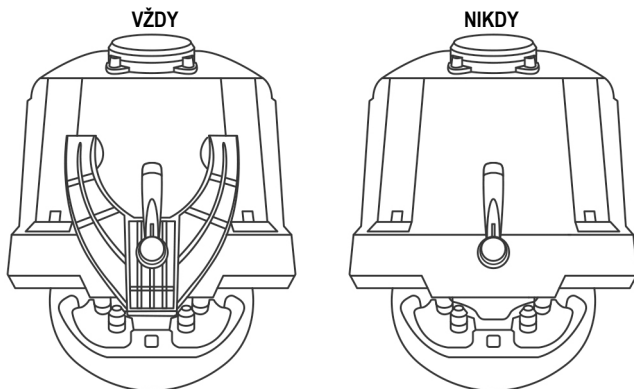
1. Podložky (25) položte na kovovou stranu montážních disků (26), prostrčte jimi M6 šrouby s šesti hranou hlavou/s Phillips hlavou (24).
2. Základnu závodního volantu umístěte na poličku kokpitu.
3. Montážní sadu šroubů prostrčte otvory v poličce kokpitu a za použití plochého klíče 10 nebo křížového šroubováku, je zašroubujte do dvou malých závitových otvorů na spodní straně volantu.

POZOR:

- Neodstraňujte pěnové podložky umístěné na spodní straně základny závodního volantů! Když je volant připevněn, tyto pěnové podložky zesilují účinky systému T-DFB.
- Texturovaná gumová strana montážních disků (26) musí být bezpodmínečně umístěna směrem k poličce kokpitu, tj. nikdy nesmí být kovová strana umístěna směrem k poličce kokpitu.

Přípevnění závodního volantů ke stolu nebo stolků

1. Závodní volant umístěte na stůl nebo jakoukoliv jinou vodorovnou a stabilní plochu.
2. Upevňovací šroub (14) vložte do přípevňovacího systému (13), zařízení připevněte otáčením šroubu proti směru hodinových ručiček tak, aby se zasunul do velkého závitového otvoru (12), který je umístěn pod závodním volantem. Šroub utáhněte tak, aby volant byl dokonale stabilně připevněn.



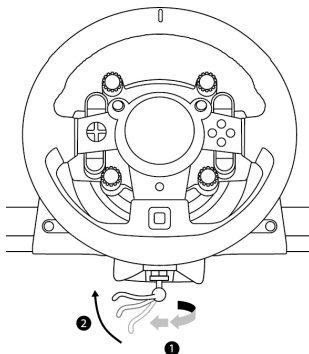
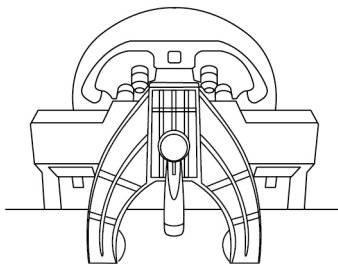
VAROVÁNÍ:

- Šroub nikdy neutahujte bez přípevňovacího systému (může dojít k poškození závodního volantů).
- Neodstraňujte pěnové podložky umístěné na spodní straně základny závodního volantů! Když je volant připevněn, tyto pěnové podložky zesilují účinky systému T-DFB.

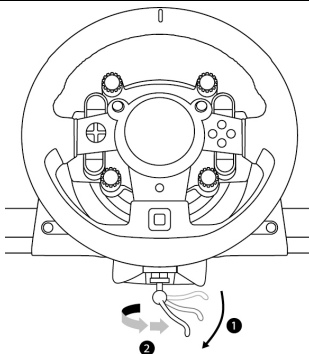
**PŘIPEVNĚNÍ /
UVOLNĚNÍ**

SMĚR

Utažení:
*Otáčejte šroubem
proti směru
hodinových ručiček*



Povolení:
*Šroubem otáčejte ve
směru hodinových
ručiček*



NASTAVENÍ ZÁVODNÍHO VOLANTU PRO KONZOLE PS5™ A KONZOLE PS4™

1. Pedálovou soupravu připojte ke konektoru (19), který je umístěn na zadní části základny závodního volantu.
2. Připojte napájecí zdroj T-TURBO (21) ke konektoru (17).
3. Připojte napájecí kabel (22) k napájecímu zdroji T-TURBO, a kabel zapojte do zásuvky elektrického rozvodu se stejným jmenovitým napětím.
4. Nastavte posuvný přepínač USB (11) do polohy „OTHER“ nebo „GT“, v závislosti na použité hře PS5™ nebo PS4™.
5. Připojte odnímatelný kabel USB (23) ke konektoru (18) a k jednomu z portů USB na konzoli PS5™ nebo na konzoli PS4™.
6. Jakmile je konzole PS5™ nebo konzole PS4™ zapnuta, váš závodní volant se sám kalibruje.
7. Stiskněte tlačítko PS (9) na závodním kole a přihlaste se ke svému účtu PlayStation™ Network, aby váš volant fungoval.

Nyní jste připraveni ke hraní!

Důležité poznámky:

- Aby byl váš závodní volant funkční, nezapomeňte stisknout tlačítko PS (9) na závodním volantu.
- Posuvný USB přepínač (11) na základně volantu musí být vždy v pozici („OTHER“ nebo „GT“) ještě před připojením USB kabelu závodního volantu k vaší konzoli. Chcete-li změnit polohu posuvného přepínače: odpojte kabel USB, přepněte přepínač do příslušné polohy a poté znovu připojte kabel USB ke konzoli.
- Seznam her PlayStation®5 a PlayStation®4 kompatibilních s T-GT II (spolu s požadovanou pozicí pro posuvný přepínač USB (11) podle hry, kterou používáte) je k dispozici zde: <https://support.thrustmaster.com> (v sekci Racing Wheels/T-GT II). Tento seznam je pravidelně aktualizován.

POSUVNÝ SPÍNAČ USB (11) V POZICI „OTHER“ PRO HRY PS5™ A HRY PS4™ KROMĚ GT SPORT

Pokud je posuvný USB přepínač (11) nastaven v pozici „OTHER“:

* Systém Force Feedback je funkční, ale efektní systém T-DFB (16) funkční není.

POSUVNÝ USB PŘEPÍNAČ (11) V POZICI „GT“ PRO GT SPORT HRY (A DALŠÍ BUDOUCÍ GT HRY)

Pokud je posuvný USB přepínač (11) nastaven v pozici „GT“:

* Systém Force Feedback, a efektní systém T-DFB (16), jsou oba funkční. V nastavení GT Sport her je možné každý systém nastavit nezávisle.

NASTAVENÍ ZÁVODNÍHO VOLANTU PRO PC*

*Kompatibilita s PC nebyla schválena společností Sony Interactive Entertainment Europe a Sony Interactive Entertainment LLC.

Další informace naleznete na <https://support.thrustmaster.com>.

AUTOMATICKÁ KALIBRACE ZÁVODNÍHO VOLANTU A PEDÁLOVÉ SOUPRAVY

Volant se sám automaticky nakalibruje po zapnutí a po připojení USB kabelu závodního volantu ke konzoli.

Během kalibrování se závodní volant rychle otáčí doleva a doprava až o 1080 stupňů, a nakonec se zastaví ve střední poloze.



VAROVÁNÍ:

Během automatické kalibrace se volantu nikdy nedotýkejte!

(Může dojít k chybnému nakalibrování volantu nebo dokonce ke zranění.)

AUTOMATICKÁ KALIBRACE PEDÁLOVÉ SOUPRAVY

Nikdy nepřipojujte pedálovou soupravu k základně závodního volantu (ani ji neodpojujte od základny), pokud je připojena ke konzoli, nebo během hry (toto může způsobit chybnou kalibraci).

Pedálovou soupravu vždy připojujte před připojením závodního volantu ke konzoli.

Po dokončení kalibrace závodního volantu a po spuštění hry, se pedály automaticky po několika stiscích pedálů nakalibrují.



VAROVÁNÍ:

Během automatické kalibrace nebo při spuštění hry nikdy pedály nesešlapujte!

(Může dojít k chybnému nakalibrování.)

V případě, že váš závodní volant nebo pedálová souprava nepracuje správně, nebo se zdá, že je chybně nakalibrována:

Vypněte svoji konzoli a úplně odpojte závodní volant. Poté kabely opět připojte (včetně napájecího kabelu a kabelu pedálové soupravy), restartujte vaši konzoli a spusťte svoji hru.

INTERNÍ CHLADÍCÍ SYSTÉM ZÁKLADNY VOLANTU

Vnitřní chladicí systém základny volantu

- se spustí v okamžiku zapnutí volantu.
- se vypne po několika minutách nečinnosti, když klesne teplota uvnitř základny na nižší úroveň.
- opět se zapne v okamžiku, když začnete volant používat.

TLAČÍTKO MODE A SVĚTELNÁ KONTROLKA (10)

Tlačítko MODE pedálové soupravy

Funkci pedálu plynu a spojky lze elektronicky zaměnit.

Abyste tak učinili, jednoduše, na dvě vteřiny, stiskněte tlačítko MODE (10).

Ve vnitřní paměti závodního volantu se ukládá, zda pedály byly zaměněny nebo nebyly.

PLYNOVÝ A SPOJKOVÝ PEDÁL	Barva kontrolky MODE (10)
NORMÁLNÍ	ČERVENÁ
ZAMĚNĚNÉ	ZELENÁ

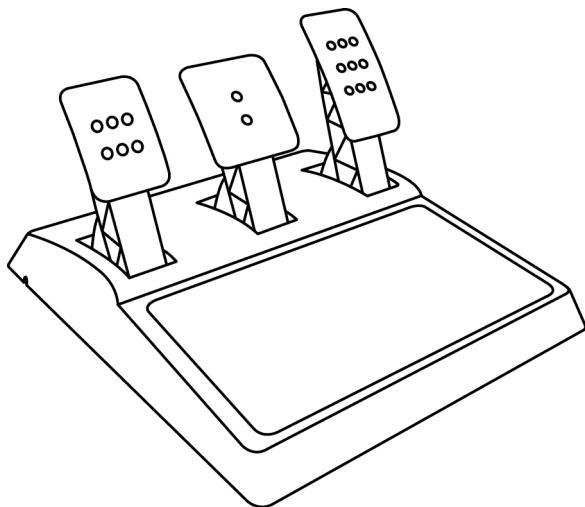
Další informace týkající se tlačítka MODE

Pokud se chcete dozvědět víc informací o tlačítku MODE a světelné kontrolce, navštivte webovou stránku <https://support.thrustmaster.com>. Klikněte na **Racing Wheels/T-GT II**, a pak vyberte **Manual** nebo **FAQ**.

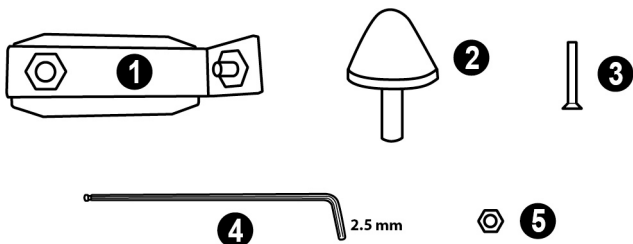
SOUBORY NÁPOVĚDY A OTÁZKY A ODPOVĚDI

Prosim navštivte <https://support.thrustmaster.com>. Klikněte na **Racing Wheels/T-GT II**, a pak vyberte **Manual** nebo **FAQ**.

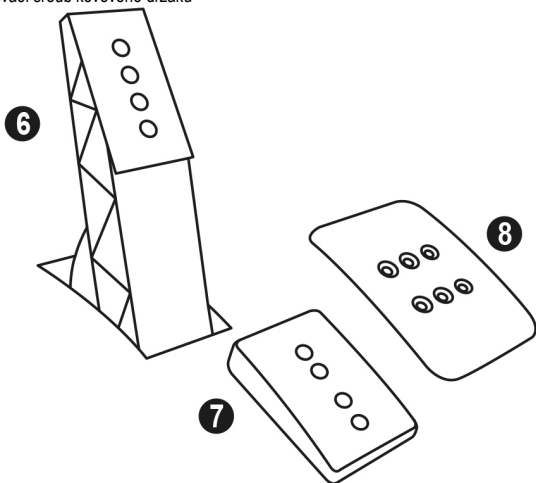
T-GT II EDITION PEDÁLOVÁ SOUPRAVA



TECHNICKÉ VLASTNOSTI



- 1 Kovový držák kónické stopky
(ve výchozím stavu není nainstalován)
- 2 Kónická stopka
- 3 Připevňovací šroub kovového držáku
- 4 2,5 mm imbusový klíč (v dodávce)
- 5 Matice pro nastavení pozice kónické stopky



- 6 Kovové rameno pedálu
- 7 Plastová opěrka hlavy pedálu
- 8 Kovová hlava pedálu

VAROVÁNÍ

Před používáním tohoto výrobku si pečlivě přečtěte a pro pozdější použití uschovejte tento manuál.



Z bezpečnostních důvodů nikdy nepoužívejte pedály s bosýma nohama nebo pouze v ponožkách.

THRUSTMASTER® ODMÍTÁ ODPOVĚDNOST ZA JAKÁKOLIV ZRANĚNÍ PŘI POUŽÍVÁNÍ PEDÁLŮ BEZ BOT.



Varování – Nebezpečí přiskřípnutí pedálovou soupravou během hraní

- * Pedálovou soupravu uchovávejte mimo dosah dětí.
- * Během herních sezení, nikdy nevkládejte své prsty nebo palce na nebo do blízkosti stran pedálů.
- * Během herních sezení, nikdy nevkládejte své prsty nebo palce na nebo do blízkosti zadní části základny pedálů.
- * Během herních sezení, nikdy nevkládejte své prsty nebo palce na nebo do blízkosti přední části základny pedálů.

NIKDY



NIKDY



NIKDY



AUTOMATICKÁ KALIBRACE PEDÁLŮ



- Nikdy nepřipojujte ani neodpojujte pedálovou soupravu od základny volantu, když je volant připojen ke konzoli PS5™ nebo konzoli PS4™ nebo k PC, nebo během hraní. Vyhnete se tak problémům s kalibrací.
- Před připojením volantu ke konzoli PS5™, ke konzoli PS4™ nebo k počítači vždy nejprve připojte pedálovou soupravu k volantu.
- Po dokončení kalibrace závodního volantu a po spuštění hry, se pedály automaticky po několika stiscích pedálů nakalibrují.
- Aby bylo zabráněno problémům s kalibrací, nikdy nestlačujte pedály během kalibrace nebo při spuštění hry.
- V případě, že váš závodní volant nebo pedálová souprava nepracuje správně, nebo se zdá, že je chybně nakalibrována: vypněte svůj systém a úplně odpojte závodní volant. Poté kabely opět připojte (včetně napájecího kabelu a kabelu pedálové soupravy), a restartujte váš systém a spusťte svoji hru.

PŘIPEVNĚNÍ PEDÁLOVÉ SOUPRAVY DO KOKPITU

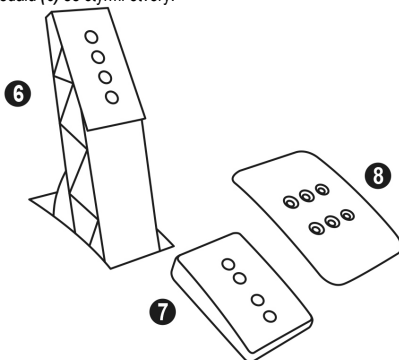
- Pedálovou soupravu připevněte pomocí malých závitových otvorů, které jsou umístěny na spodní straně pedálové soupravy.
- Zašroubujte dva M6 šrouby (nejsou součástí dodávky) skrz podlahu kokpitu do dvou malých závitových otvorů umístěných na spodní straně pedálové soupravy.

Důležité: Délka dvou M6 šroubů nesmí být větší, než je tloušťka podlahy kokpitu plus dalších 10 mm. Delší šrouby mohou poškodit vnitřní součásti pedálové soupravy.

NASTAVENÍ PEDÁLOVÉ SOUPRAVY

Každý ze tří pedálů obsahuje:

- Kovovou hlavu (8) s mnoha otvory (devět na plynovém pedálu, dva na brzdovém pedálu a šest na spojkovém pedálu).
- Plastovou opěrku hlavy pedálu (7) (umísťuje se mezi hlavu a rameno pedálů) se čtyřmi otvory.
- Kovové rameno pedálu (6) se čtyřmi otvory.

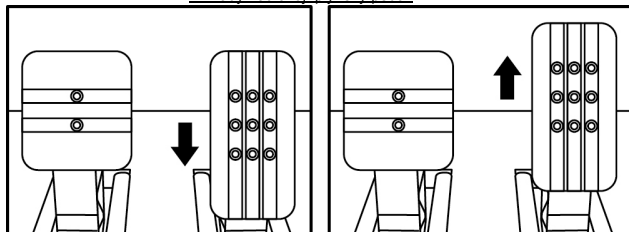


UPOZORNĚNÍ: Abyste předešli jakýmkoli problémům s kalibrací, vždy před provedením jakýchkoli úprav na pedálu odpojte kabel USB svého volantu od konzole PS5™ nebo od konzole PS4™.

Nastavení VÝŠKY 3 pedálů

- Pomocí dodaného 2,5 mm imbusového klíče (4), odšroubujte dva šrouby, které drží kovovou hlavu (8) a opěrku hlavy (7) dohromady.
- Vyberte vaši preferovanou výškovou pozici, a pak znovu pevně sešroubujte dohromady kovovou hlavu (8) a její opěrku (7).

Příklady zobrazují plynový pedál:



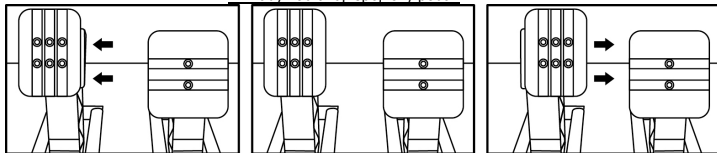
Nízká pozice

Vysoká pozice

Nastavení ROZTEČE plynového a spojkového pedálu

- Pomocí dodaného 2,5 mm imbusového klíče (4), odšroubujte dva šrouby, které drží kovovou hlavu (8) a opěrku hlavy (7) dohromady.
- Vyberte vaši preferovanou pozici (vlevo, na středu nebo vpravo), a pak znovu pevně sešroubujte dohromady kovovou hlavu (8) a její opěrku (7).

Příklady zobrazují spojkový pedál:



Pozice vlevo

Centrální pozice (výchozí)

Pozice vpravo

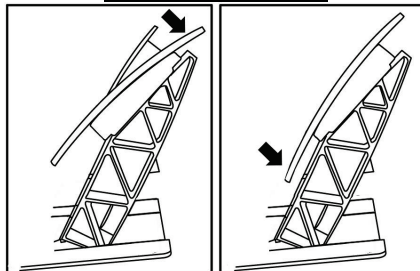
Počet možných pozic roztečí každého pedálu:

- Tři pro plynový pedál
- Tři pro spojkový pedál

Nastavení NÁKLONU 3 pedálů

- Pomocí dodaného 2,5 mm imbusového klíče (4), odšroubujte dva šrouby, které drží kovovou hlavu (8) a opěrku hlavy (7) dohromady.
- Otočte plastovou opěrku hlavy (7) o 180°, a pak znovu pevně sešroubujte dohromady kovovou hlavu (8) a její opěrku (7).

Příklady zobrazují plynový pedál:



Méně nakloněný pedál

Více nakloněný pedál (výchozí)

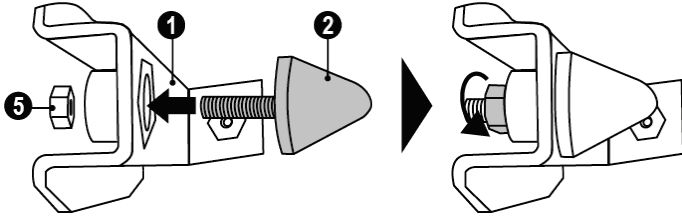
Počet možných pozic každého pedálu:

- Dvě pro plynový pedál
- Dvě pro brzdový pedál
- Dvě pro spojkový pedál

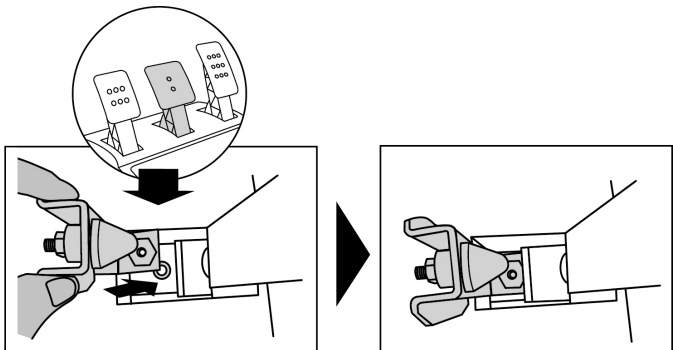
Montáž kónické stopky ("CONICAL RUBBER BRAKE" mod)

Tato modifikace (nebo "mod") není nezbytná a v tovární konfiguraci není nainstalována. Brzdový pedál perfektně funguje i v případě, kdy stopka není nainstalována.

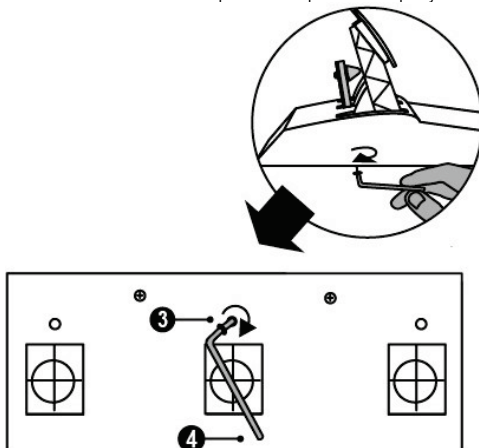
- Kónickou stopku (2) našroubujte na kovovou podpěrku (1).
- Na šroub kónické stopky našroubujte nastavovací matici (5).



- Stopku umístěte na zadní stranu ramene brzdového pedálu.



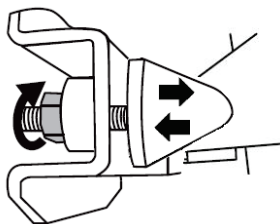
- Pomocí přiloženého 2,5 mm imbusového klíče (4), připevníte stopku pomocí připevňovacího šroubu (3) a malého středového šroubu umístěného na spodní straně pedálové soupravy.



Nyní je stopka "CONICAL RUBBER BRAKE" nainstalována!

Nastavení délky DRÁHY a SÍLY odporu brzdového pedálu

Mírným povelím matice (5) můžete zvyšovat odpor brzdového pedálu posunutím kónické stopky blíže k zadní části ramene pedálu brzdy (pro utažení matky a udržení nastavené pozice, použijte klíč 14 nebo kleště). Čím blíže posunete kónickou stopku k zadní části ramene pedálu, tím větší bude odpor při jeho stlačování.



Poznámka: Pokud je kónická stopka umístěna velmi blízko zadní části ramene brzdového pedálu mohou nastat problémy s dosažením maximální hodnoty kalibrace. V tomto případě můžete:

* Pomalu, velkou silou sešlápněte brzdový pedál, abyste dosáhli maximální hodnoty (v případě potřeby se na pedál na velmi krátkou dobu postavte), a pak tlak uvolněte; nebo jinak

* Kónickou stopku o trochu posuňte od zadní části ramene brzdového pedálu.

SPOTŘEBITELSKÉ INFORMACE O ZÁRUČE

Celosvětově, Guillemot Corporation S.A., jejíž sídlo se nachází na Place du Granier, B.P. 97143, 35571 Chantepie, France (dále jen "Guillemot") zaručuje spotřebiteli, že tento výrobek od Thrustmasteru bude bez závad materiálu a zpracování, po dobu záruční doby od okamžiku převzetí výrobku ve shodě s ohledem na tento výrobek. V zemích Evropské Unie, tato doba odpovídá dvěma (2) letům od dodání výrobku Thrustmaster. V ostatních zemích, záruční doba odpovídá časovému intervalu od převzetí výrobku Thrustmaster v souladu s platnými zákony země, ve které měl spotřebitel trvalý pobyt ke dni nákupu výrobku Thrustmaster (pokud žádné takové opatření v příslušné zemi neexistuje, záruční doba bude jeden (1) rok od data nákupu výrobku Thrustmaster).

Bez ohledu na výše uvedené podmínky, je záruční doba na dobijící baterie omezena na dobu šesti (6) měsíců od původního datumu nákupu.

Pokud se u výrobku během záruční doby objeví závada, neprodleně kontaktujte Technickou podporu, kde vám naznačí postup, jak záruku uplatnit. Pokud bude závada uznána, výrobek musí být vrácen prodávajícímu, kde byl zakoupen (nebo na jiné místo, které určí Technická podpora).

V rámci této záruky, bude vadný výrobek podle Technické podpory buď vyměněn nebo uveden do funkčního stavu. Pokud bude během záruční doby výrobek Thrustmasteru opravován, bude záruční doba o dobu, kdy nebylo možné výrobek používat prodloužena, nejméně alespoň o sedm (7) dní (tato doba začíná datem, kdy zákazník požádal o vyřízení reklamace nebo od data, kdy dotyčný produkt byl k dispozici pro opravu, pokud datum předání výrobku k opravě je po datu žádosti o vyřízení reklamace). Pokud to umožňují platné zákony, je plná odpovědnost společnosti Guillemot a jejich dceřiných společností (včetně následných škod) omezena na navrácení produktu do provozuschopného stavu nebo na výměnu výrobku Thrustmaster. Pokud to umožňují platné zákony, Guillemot se zříká všech záruk obchodovatelnosti nebo vhodnosti pro určitý účel.

Tato záruka se nevztahuje na: (1) pokud byl výrobek modifikován, otevřen, změněn nebo utrpěl poškození v důsledku nevhodného nebo nesprávného používání, nedbalosti, nehody, běžného opotřebení, nebo jakékoliv jiné příčiny, nesouvisející s vadou materiálu nebo zpracování (včetně, ale ne pouze, při kombinaci výrobku Thrustmaster s jakýmkoliv nevhodným prvkem, včetně zejména napájecích adaptérů, nabíjecích baterií, nabíječky, nebo jiných prvků, které nebyly k tomuto výrobku dodány společností Guillemot); (2) pokud byl výrobek používán pro jiné účely než domácí použití, včetně profesionálních a komerčních účelů (např. v hernách, při tréninku, při závodech); (3) v případě nedodržení pokynů poskytovaných Technickou podporou; (4) software, na zmíněný software je poskytována zvláštní záruka; (5) spotřební materiál (prvky, které mohou být vyměněny v průběhu životnosti produktu: baterie na jedno použití, náhlavní sluchátkové soupravy nebo např. náušníky sluchátek); (6) příslušenství (například kabely, pouzdra, brašny, zápečtní feminky); (7) pokud byl výrobek prodán ve veřejné aukci.

Tato záruka je nepřenositelná.

Zákonná práva spotřebitele vzhledem k platným zákonům vztahujícím se na prodej spotřebního zboží v jeho nebo její zemi nejsou touto zárukou ovlivněny.

Další ustanovení o záruce

V průběhu záruční doby, Guillemot zásadně nedodává žádné náhradní díly, neboť Technická podpora je jedinou stranou autorizovanou k demontáži a opravě jakéhokoliv produktu Thrustmaster (s výjimkou jakéhokoliv opravy, o kterou zákazník požádá Technická podpora prostřednictvím písemných pokynů, například z důvodu jednoduchosti a neutajovaného postupu opravy a poskytnutím požadovaných náhradních dílů, jsou-li použitelné.

Vzhledem ke svému inovačnímu cyklu a s cílem ochrany know-how a obchodního tajemství, nesmí Guillemot zásadně poskytovat jakékoli vyrozumění o opravách nebo náhradních dílech jakéhokoliv výrobku Thrustmaster, jehož záruční doba již vypršela.

Odpovědnost

Pokud to povolují příslušné zákony, Guillemot Corporation S.A. (dále jen "Guillemot") a její dceřiné společnosti se zřikají veškeré odpovědnosti za škody způsobené jedním nebo více následujícími body: (1) výrobek byl modifikován, otevřen nebo pozměněn; (2) nedodržení návodu k montáži; (3) nevhodné nebo nesprávné používání, nedbalost, nehoda (například náraz); (4) běžné opotřebení; (5) použití výrobku pro jakékoli jiné než domácí použití, včetně profesionálního nebo komerčního použití (například v hernách, pro výcvik, při soutěžích). Pokud to povolují příslušné zákony, Guillemot a její dceřiné společnosti se zřikají veškeré odpovědnosti za jakékoli škody, které nesouvisí s použitými materiály nebo výrobní vadou příslušného výrobku (včetně, ale nikoliv výhradně, veškerých škod způsobených přímo nebo nepřímo softwarem, nebo kombinací výrobku Thrustmaster s jakýmkoliv nevhodným prvkem včetně zejména napájecími zdroji, dobíjecími bateriemi, nabíječkami nebo jakýmkoliv jinými prvky, které nebyly společností Guillemot k tomuto výrobku dodány).

THRUSTMASTER®

TECHNICAL SUPPORT

<https://support.thrustmaster.com>



COPYRIGHT

©2021 Guillemot Corporation S.A. Všechna práva vyhrazena. Thrustmaster® je registrovaná obchodní ochranná známka společnosti Guillemot Corporation S.A. Vyráběné a distribuované společností Guillemot Corporation S.A. Všechny ostatní ochranné známky a obchodní značky jsou uznávány a jsou majetkem jejich příslušných vlastníků. Obsah, design a specifikace podléhají změnám bez předchozího upozornění a mohou se v jednotlivých zemích lišit. Fotografie a ilustrace nejsou závazné. Navrženo v Severní Americe a Evropě, vyrobené v Číně.

Výhradně pro použití s konzolami PlayStation®5 a konzolami PlayStation®4.

“PS”, “PlayStation”, “PS5”, a “PS4” jsou registrované obchodní známky nebo obchodní známky společnosti Sony Interactive Entertainment Inc. Všechna práva vyhrazena. Všechny ostatní obchodní známky jsou majetkem jejich příslušných vlastníků. Vyrobeno a distribuováno pod licencí společnosti Sony Interactive Entertainment LLC.

Gran Turismo a logo Gran Turismo jsou registrované obchodní známky nebo obchodní známky společnosti Sony Interactive Entertainment Inc.

Technologie TouchSense® je licencovaná společností Immersion Software Ireland Limited. Je chráněna jedním nebo více U.S. patenty, které lze nalézt na následující adrese: www.immersion.com/patent-marking.html, a další patenty jsou v patentovém řízení.

DOPORUČENÁ OCHRANA ŽIVOTNÍHO PROSTŘEDÍ



V zemích Evropské unie, Spojeném království a Turecku: Na konci životnosti by tento výrobek neměl být vhozen do standardního směsného odpadu, ale odevzdán do sběrného dvoru na recyklaci elektrických a elektronických zařízení.

Toto je potvrzeno symbolem, který je na výrobku, v uživatelském manuálu nebo na obalu.

V závislosti na charakteristice materiálů, mohou být tyto recyklovány. Recyklací a dalšími formami zpracování odpadních elektrických a elektronických zařízení můžete významným způsobem přispět k ochraně životního prostředí.

Pro informace o nejbližším sběrném dvoru se obraťte na místní úřad.

Pro všechny ostatní země: Dodržujte prosím místní předpisy týkající se recyklace elektrických a elektronických zařízení.

Tyto informace si uchovejte. Barvy a dekorace se mohou lišit.

Před použitím by měly být z výrobku odstraněny plastové spojovací lepicí materiály.

www.thrustmaster.com

**Platné pouze pro EU, Spojené království a Turecko*

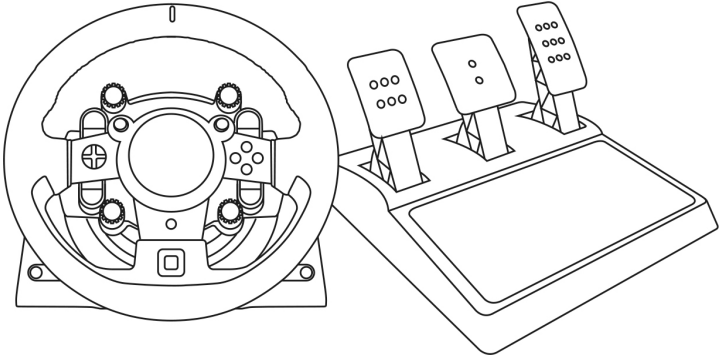


immersion. 

T-GT II

PlayStation®5 konsolları ve PlayStation®4 konsolları için

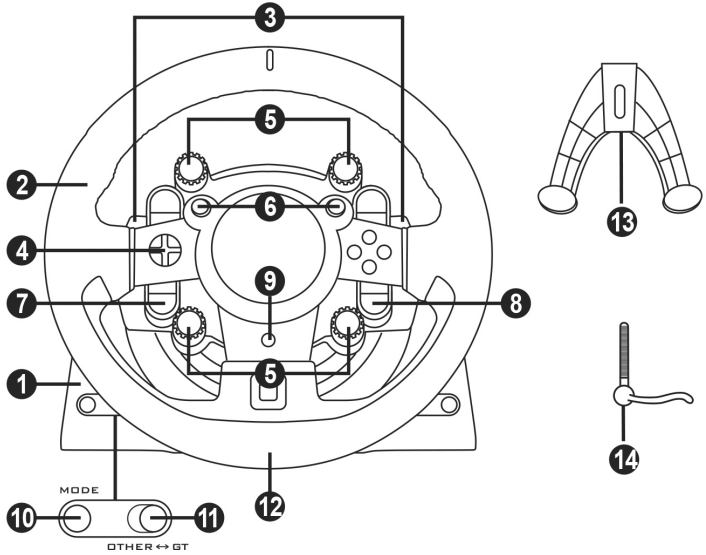
Kullanma Kılavuzu



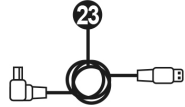
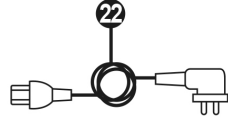
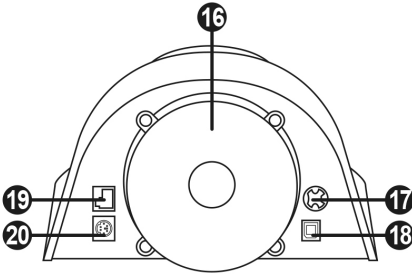
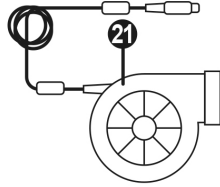
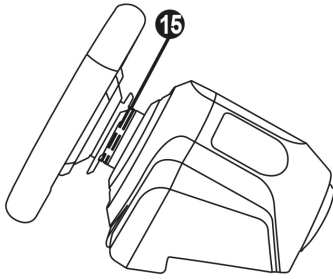
UYARI:

T-GT II yarış direksiyonunuzun oyunlarla düzgün çalışmasını sağlamak için, oyunların otomatik güncellemelerini yüklememiz gerekebilir (konsolunuz İnternete bağlıyken yapılabilir).

TEKNİK ÖZELLİKLER



- | | |
|---|--|
| 1 T-GT II tabanı | 8 OPTIONS düğmesi |
| 2 T-GT II direksiyonu | 9 PS düğmesi |
| 3 2 direksiyondan kumandalı sıralı vites (up ve down) | 10 MODE düğmesi + kırmızı/yeşil gösterge lambası |
| 4 Çok yönlü D-Ped | 11 Dahili USB seçim düğmesi: OTHER / GT |
| 5 Push fonksiyonlu 4 döner düğme | 12 Büyük dişli delik (montaj sistemi ve sabitleme vidası için) |
| 6 2 mini kol | 13 Montaj sistemi |
| 7 SHARE/CREATE düğmesi | 14 Metal bağlantı vidası |



- 15 Thrustmaster Quick Release
- 16 T-DFB efekt sistemi (sadece GT modunda PS5™ konsolları ve PS4™ konsolları ile uyumlu)
- 17 T-TURBO güç kaynağı konektörü
- 18 Çıkarılabilir USB kablosu konektörü
- 19 Pedal seti konektörü
- 20 TH8A vites konektörü (vites ayrı olarak satılır)
- 21 T-TURBO güç kaynağı
- 22 Elektrik kablosu
- 23 Çıkarılabilir USB kablosu

DİREKSİYONUN ELEKTRİK PRİZİNE TAKILMASI: LÜTDEN DİKKATLE OKUYUNUZ!



T-TURBO güç kaynağını farklı gerilime sahip bir elektrik prizine asla bağlamayın! T-TURBO güç kaynağının gerilimi, güç kaynağı kablosu dışı konektörünün üzerinde bulunan etikette belirtilmiştir.



T-GT II tabanına asla T-TURBO güç kaynağının dışında, konektör uyumlu olsa bile başka bir güç kaynağı bağlamayın! Örneğin T500 RS direksiyon için olan güç adaptörünü asla T-GT II tabanına bağlamayın.

UYARILAR

Bu ürünü kullanmadan önce lütfen bu kılavuzu dikkatlice okuyun ve daha sonra başvurma ihtiyacı duymazınız halinde kullanmak üzere güvenli bir yerde saklayın.



Uyarı - Elektrik çarpması

- * Ürünü kuru bir yerde saklayın ve toza veya güneş ışığına maruz bırakmayın.
- * Konektörleri ve kabloları bükmeyin ve çekmeyin.
- * Ürünün veya konektörlerinin üzerine herhangi bir sıvı dökmeyin.
- * Ürünü kısa devre yapmayın.
- * Ürünü asla parçalarına ayırmayın, ateşe atmayın ve yüksek sıcaklıklara maruz bırakmayın.
- * Yarış direksiyonunuzla verilen elektrik kablosunun dışında elektrik kablosu kullanmayın.
- * Kablo veya fişi hasarlı, yarık veya kırıkta elektrik kablosunu kullanmayın.
- * Elektrik kablosunun prize ve yarış direksiyonu tabanının arka kısmında bulunan konektöre düzgün bir şekilde takıldığından emin olun.
- * Yarış direksiyonunun içini açmayın: İçinde kullanıcı tarafından bakım/onarım yapılabilecek parça yoktur. Tüm onarım işlemleri üretici firma, yetkili temsilcisi veya kalifiye teknisyen tarafından yapılmalıdır.
- * Sadece üretici tarafından belirtilmiş olan montaj sistemlerini/aksesuarları kullanın.
- * Yarış direksiyonu beklenmeyen şekilde çalışıyorsa (anormal sesler, ısı veya koku yayıyorsa) direksiyonu kullanmayı derhal kesin, elektrik kablosunu prizden çekin ve diğer kabloları ayırın.
- * Yarış direksiyonunu uzun süre kullanmayacaksınız elektrik kablosunu duvar prizinden çekin.
- * Elektrik prizi ekipmana yakın ve kolayca ulaşılabilir olmalıdır.

220 V güç besleme adaptörü için bilgi

Yayınlanan bilgi	Değer	Birim
Üreticinin adı veya ticari markası, ticari sicil numarası ve adresi	GUILLEMOT CORPORATION S.A. 414 196 758 RennesPlace du Granier BP 97143 35571 Chantepie Cedex Fransa	
Model adı	Turbo Power 220V	
Giriş gerilimi	220 - 240	V
Giriş AC frekansı	50 / 60	Hz
Çıkış gerilimi	24,0	V AC
Çıkış akımı	4,0	A
Çıkış gücü	96,0	W
Ortalama aktif verimlilik	90,9	%
Düşük yükte (%10) verimlilik	86,8	%
Yüksüz güç tüketimi	0,01	W



Havalandırma delikleri

Yarış direksiyonunun tabanı üzerindeki hiçbir havalandırma deliğini bloke etmediğinizden emin olun. Optimum havalandırma için aşağıdaki noktalara dikkat edin:

- * Direksiyon tabanını tüm duvar yüzeylerinden en az 10 cm uzağa yerleştirin.
- * Tabanı dar yerlere yerleştirmeyin.
- * Tabanı örtmeyin.
- * Havalandırma deliklerinin üzerinde toz birikmesine izin vermeyin.



Güvenlik nedeniyle pedal setini asla çıplak ayaklarla veya ayağınıza sadece çorap giyerek oynamayın.
THRUSTMASTER® PEDAL SETİNİN AYAKKABISIZ KULLANILMASINDAN KAYNAKLANAN YARALANMALARDA HİÇBİR SORUMLULUK KABUL ETMEZ.



Uyarı - Force Feedback ve tekrarlanan hareketlerden dolayı yaralanma

Force Feedback direksiyonla oynamak kas veya eklem ağrısına neden olabilir. Her türlü sorunu önlemek için:

- * Uzun oyun periyotlarından sakının.
- * Her oyun saatinin ardından 10 ila 15 dakika ara verin.
- * Ellerinizde, bileklerinizde, kollarınızda, ayaklarınızda veya bacaklarınızda yorgunluk veya ağrı hissederseniz oynamayı kesin ve yeniden oynamaya başlamadan önce birkaç saat dinlenin.
- * Yeniden oynamaya başladığınızda yukarıda belirtilen semptomlar veya ağrı tekrar ederse oynamayı kesin ve bir doktora başvurun.
- * Çocukların ulaşabileceği yerlerden uzak tutun.
- * Oyun oynarken kollarınızı, tamamen gitmesine izin vermeden daima yarış direksiyonunun üzerinde doğru konumlandırılmış olarak bırakın.
- * Oyun oynarken asla ellerinizi veya parmaklarınızı pedalların altına ya da pedal setine yakın yerlere koymayın.
- * Kalibrasyon ve oyun sırasında asla elinizi veya kolunuzu yarış direksiyonundaki deliklere sokmayın.
- * Yarış direksiyonu tabanının bu kılavuzda belirtildiği gibi düzgün bir şekilde sabitlendiğinden emin olun.

AĞIR ÜRÜN

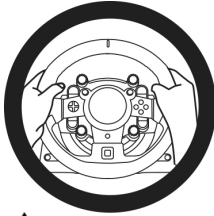


Sadece 16 yaş ve üzeri kullanıcılar tarafından kullanılacak ürün



Ürünü kendinizin veya başkalarının üzerinde düşürmemeye dikkat edin!

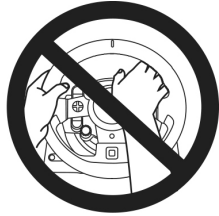
DAİMA



ASLA



ASLA



Uyarı - Oynarken pedal seti sıkıştırma tehlikesi

- * Pedal setini çocukların ulaşabileceği yerlerden uzak tutun.
- * Oyun oynarken parmaklarınızı asla pedalların yanlarına veya yakın yerlere koymayın.
- * Oyun oynarken parmaklarınızı asla pedalların arka tabanı üzerine veya yakın yerlere koymayın.
- * Oyun oynarken parmaklarınızı asla pedalların ön tabanı üzerine veya yakın yerlere koymayın.

ASLA



ASLA



ASLA



Uyarı - Oynamıyorken pedal seti sıkıştırma tehlikesi

- * Pedal setini güvenli ve çocukların ulaşamayacağı bir yerde saklayın.

YARIŞ DİREKSİYONUNUZUN DONANIM YAZILIMINI GÜNCELLEME

Yarış direksiyonunuzun tabanında bulunan donanım yazılımı ürün geliştirmeleri içeren daha yeni sürümlere güncellenebilir.

Yarış direksiyonunuzun halihazırda kullandığı donanım yazılımı sürümünü görmek ve gerektiğinde güncellemek için: PC'de <https://support.thrustmaster.com/> adresine gidin. **Racing Wheels / T-GT II** 'ye tıklayın, daha sonra **Firmware**'i seçerek indirme ve yükleme prosedüründe açıklanan talimatları izleyin.

Önemli not:

PC'de yarış direksiyonu tabanının üzerinde bulunan USB seçim düğmesi (11) daima OTHER pozisyonuna ayarlanmış olmalıdır.

YARIŞ DİREKSİYONUNUN TABANINA TAKILMASI

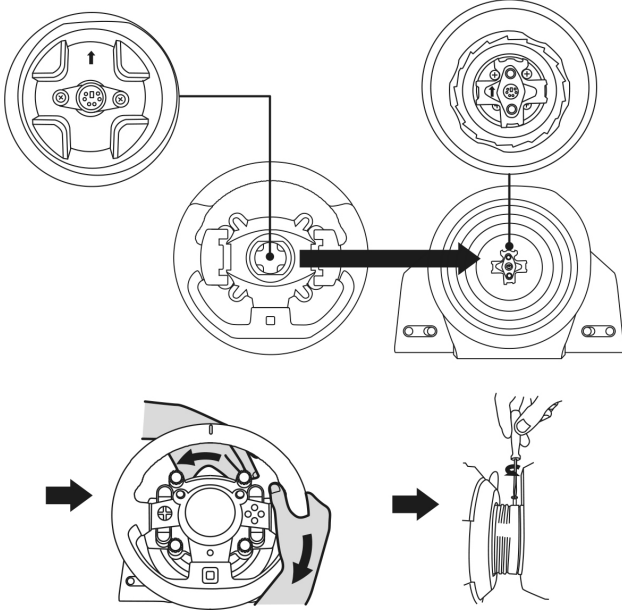
Konektör yerlerini okları kullanarak hizalayın:

Taban (1) konektörü: Ok yukarı doğru bakar

Yarış direksiyonu (2) konektörü: Ok yukarı doğru bakar

Konektörler doğru bir şekilde konumlandırıldıktan sonra yarış direksiyonunu (2) yerinde tutarken Thrustmaster Quick Release (15) aygıtının bileziğini saatin aksi yönünde döndürün.

Ardından bileziği mümkün olduğu kadar sıkın: Bunu yapmak için bileziği yerinde tutarak yarış direksiyonunu saat yönünde döndürün.



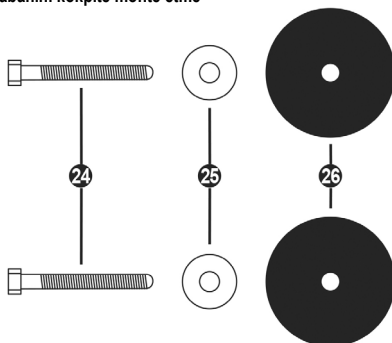
Yarış direksiyonunu taktıktan sonra Thrustmaster Quick Release (15) aygıtının bileziği üzerinde bulunan küçük montaj vidasına ulaşmak için direksiyonu 180° (direksiyona bakarken GT logosu baş aşağı olmalıdır) döndürün. Küçük ayar vidasını sıkarken büyük yıldız tornavida kullanarak saat yönünde çevirin (fazla güç uygulamayın).



Yıldız tornavida kullanarak küçük montaj vidasını sıkarken aşırı güç KULLANMAYINI!
Bir miktar direnç hissederseniz vidayı döndürmeyi kesin.

YARIŞ DİREKSİYONUNUN MONTE EDİLMESİ

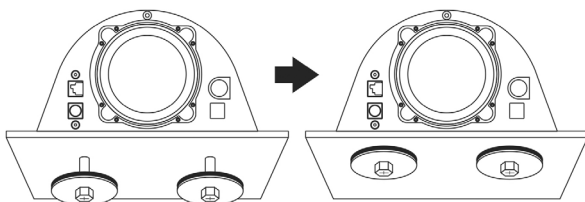
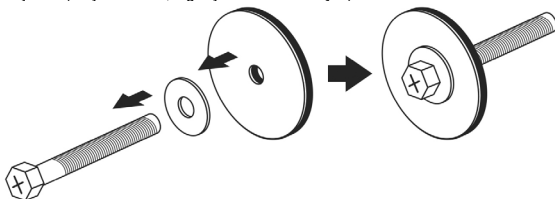
Yarış direksiyonu tabanını kokpite monte etme



24 2 M6 tipi altı köşe başlı/yıldız başlı cıvata

25 2 pul

26 2 montaj diski (bir yüzü metal, diğer yüzü dokulu kauçuk)



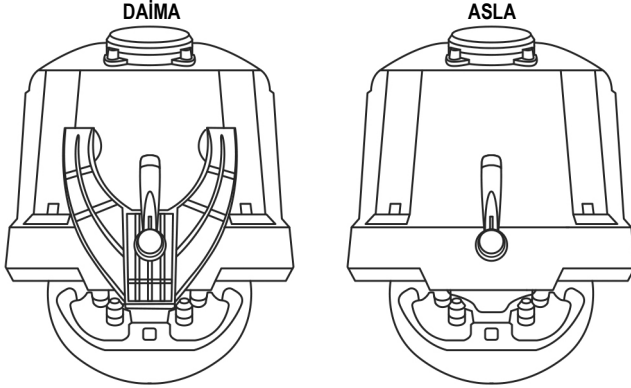
1. Pulları (25) montaj disklerinin (26) metal yüzlerine yerleştirin ve M6 tipi altı köşe başlı/yıldız başlı cıvataları (24) sokun.
2. Yarış direksiyonu tabanını kokpit rafına yerleştirin.
3. 10 mm'lik bir anahtar veya yıldız tornavida ile kokpit montaj kitini kokpit rafına ve direksiyonun alt kısmında bulunan 2 küçük vida deliğine vidalayın.

DİKKAT:

- Yarış direksiyonu tabanının alt kısmına bulunan köpük pedleri çıkarmayın! Köpük pedler, direksiyon takıldığında T-DFB sisteminin etkilerini güçlendirir.
- Montaj disklerinin (26) dokulu kauçuk yüzü mutlaka kokpit rafına bakacak şekilde yerleştirilmelidir = metal yüz kokpit rafına bakacak şekilde asla yerleştirilmemelidir.

Yarış direksiyonunun bir sehpa veya masaya monte edilmesi

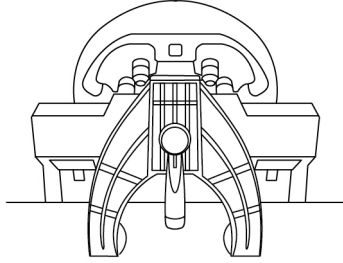
1. Yarış direksiyonunu bir masa veya yatay, düz ve sağlam bir yüzeye yerleştirin.
2. Bağlantı vidasını (11) montaj sistemine takın (10) ve direksiyon tamamen sabitlenene dek bağlantı vidasını saatin aksi yönünde sıkarak, yarış direksiyonunu altındaki büyük dişli deliğe (9) geçirin.

**UYARI:**

- Vidayı, montaj sistemi olmadan asla tek başına sıkmayın! (Yarış direksiyonuna zarar verebilir.)
- Yarış direksiyonu tabanının alt kısmına bulunan köpük pedleri çıkarmayın! Köpük pedler, direksiyon takıldığında T-DFB sisteminin etkilerini güçlendirir.

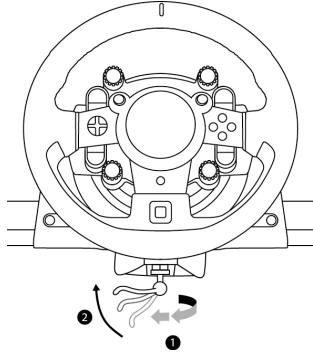
MONTE ETME /
SÖKME

YÖN



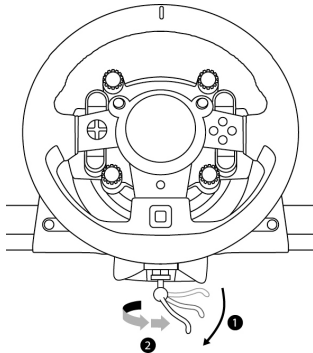
Sıkmak için:

*Vidayı saatin aksi
yönünde çevirin*



Gevşetmek için:

*Vidayı saat yönünde
çevirin*



YARIŞ DİREKSİYONUNUN PS5™ KONSOLLARI VE PS4™ KONSOLLARI İÇİN AYARLANMASI

1. Pedal setini, yarış direksiyonu tabanının arka kısmında bulunan konektörüne (19) bağlayın.
2. T-TURBO güç kaynağını (21) konektörüne (17) bağlayın.
3. Elektrik kablosunu (22) T-TURBO güç kaynağına bağlayın ve kabloyu aynı gerilime sahip bir elektrik prizine takın.
4. USB seçim düğmesini (11) kullandığınız PS5™ veya PS4™ oyununa göre "OTHER" veya "GT" pozisyonuna alın.
5. Çıkarılabilir USB kablosunu (23) konektörüne (18) ve PS5™ konsolunun veya PS4™ konsolunun bağlantı noktalarından birine bağlayın.
6. PS5™ konsolunuz veya PS4™ konsolunuz açıldığında yarış direksiyonunuz kendini kalibre edecektir.
7. Yarış direksiyonu üzerindeki PS düğmesine (9) basın ve direksiyonunuzun çalışır duruma gelebilmesi için PlayStation™ Network hesabınıza giriş yapın.

Artık oynamaya hazırsınız!

Önemli notlar:

- Yarış direksiyonunuzun çalışır duruma gelmesi için yarış direksiyonu üzerindeki PS düğmesine (9) basmayı unutmayın.
- Yarış direksiyonunun USB kablosunu konsolunuza bağlamadan önce direksiyonun tabanındaki USB seçim düğmesi (11) mutlaka uygun pozisyona ("OTHER" veya "GT") alınmalıdır. Seçim düğmesinin konumunu değiştirmek için: USB kablosunu ayırın ve ardından USB kablosunu konsola tekrar bağlamadan önce düğmeyi uygun pozisyona getirin.
- T-GT II ile uyumlu PlayStation®5 oyunlarının ve PlayStation®4 oyunlarının listesi (kullandığınız oyuna göre USB seçim düğmesinin (11) gerekli pozisyonu ile birlikte) şu adreste mevcuttur: <https://support.thrustmaster.com> (Racing Wheels/T-GT II kısmında). Bu liste düzenli olarak güncellenir.

USB SEÇİM DÜĞMESİ (11) "OTHER" POZİSYONUNDA GT SPORT DIŞINDAKİ PS5™ OYUNLARI VE PS4™ OYUNLARI İÇİN

USB seçim düğmesi (11) "OTHER" pozisyonuna alındığında:

* Force Feedback sistemi çalışır ancak T-DFB efekt sistemi (16) çalışmaz.

USB SEÇİM DÜĞMESİ (11) "GT" POZİSYONUNDA GT SPORT OYUNU (VE DİĞER GELECEK GT OYUNLARI) İÇİN

USB seçim düğmesi (11) "GT" pozisyonuna alındığında:

* Force Feedback sistemi ve T-DFB efekt sistemi (16) aynı anda çalışır. GT Sport oyununun seçeneklerinden her bir sistemin güç seviyesi birbirinden bağımsız olarak ayarlanabilir.

PC İÇİN YARIŞ DİREKSİYONU KURULUMU*

*PC uyumluluğu Sony Interactive Entertainment Europe ve Sony Interactive Entertainment LLC tarafından tasdik edilmemiştir.

Daha fazla bilgi için bkz. <https://support.thrustmaster.com/>.

OTOMATİK YARIŞ DİREKSİYONU VE PEDAL SETİ KALİBRASYONU

Yarış direksiyonunu elektrik prizine ve yarış direksiyonunun USB konektörünü konsola bağladığınızda yarış direksiyonu kendini otomatik olarak kalibre eder.

Bu aşamada yarış direksiyonu, 1080 derecelik bir açıyı kaplayıp merkezde durmadan önce sola ve sağa doğru hızlı bir şekilde döner.



UYARI:

Otomatik kalibrasyon aşamasında yarış direksiyonuna asla dokunmayın.
(*Hatalı kalibrasyona ve/veya yaralanmalara neden olabilir.*)

OTOMATİK PEDAL SETİ KALİBRASYONU

Konsola bağlıyken veya oyun sırasında pedal setini asla yarış direksiyonu tabanına bağlamayın (veya tabandan ayırmayın) (hatalı kalibrasyona neden olabilir).

Pedal setini daima yarış direksiyonunu konsola bağlamadan önce bağlayın.

Yarış direksiyonunun kalibrasyonu tamamlandığında ve oyun başlatıldığında pedallar, bir kaç basma sonunda otomatik olarak kalibre edilirler.



UYARI:

Yarış direksiyonunun otomatik kalibrasyonu aşamasında veya oyun yüklenirken asla pedallara basmayın. (*Hatalı kalibrasyona neden olabilir*)

Yarış direksiyonu ve/veya pedal seti düzgün çalışmıyorsa veya düzgün kalibre edilmemiş gibi gözüküyorsa:

Konsolunuzu kapatın ve yarış direksiyonunuzun tamamen ayırın. Tüm kabloları (elektrik kablosu ve pedal seti dahil) tekrar bağlayın, ardından konsolunuzu ve oyununuzu yeniden başlatın.

DİREKSİYON TABANI DAHİLİ SOĞUTMA SİSTEMİ

Direksiyon tabanı için dahili soğutma sistemi

- direksiyon açıldığında çalışmaya başlar.
- dahili sıcaklık düşük bir seviyeye indiğinde birkaç dakika süreyle işlem yapılmazsa kapanır.
- direksiyonu kullandığınızda yeniden açılır.

MOD DÜĞMESİ VE GÖSTERGE LAMBASI (10)

Pedal seti MOD düğmesi

T-GT II Yarış Direksiyonu, Thrustmaster'ın 3 pedal içeren pedal setleriyle de uyumludur; bunlar, gaz ve debriyaj pedallarını elektronik olarak değiştirmenizi sağlar.

Bunu yapmak için MOD düğmesine (10) 2 saniye süreyle basın.

Yarış direksiyonunun dahili hafızası pedalların değiştirilip değiştirilmediğini kaydeder.

GAZ VE DEBRİYAJ PEDALLARI	MOD gösterge lambasının (10) rengi
NORMAL	KIRMIZI
DEĞİŞTİRİLDİ	YEŞİL

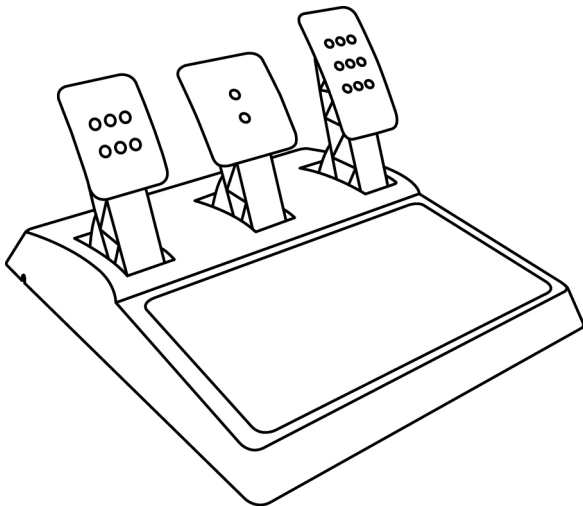
MOD düğmesi için diğer ipuçları

MODE düğmesi ve gösterge lambası ile ilgili daha fazla bilgi için lütfen bkz. <https://support.thrustmaster.com/>. Racing Wheels / T-GT II'ye tıklayın ve Manual veya FAQ'yu seçin.

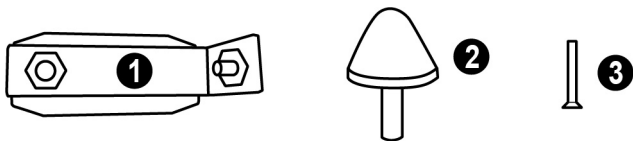
YARDIM DOSYALARI VE SIK SORULAN SORULAR

Lütfen bkz. <https://support.thrustmaster.com/>. Racing Wheels / T-GT II'ye tıklayın ve Manual veya FAQ'yu seçin.

T-GT II EDITION PEDAL SETİ

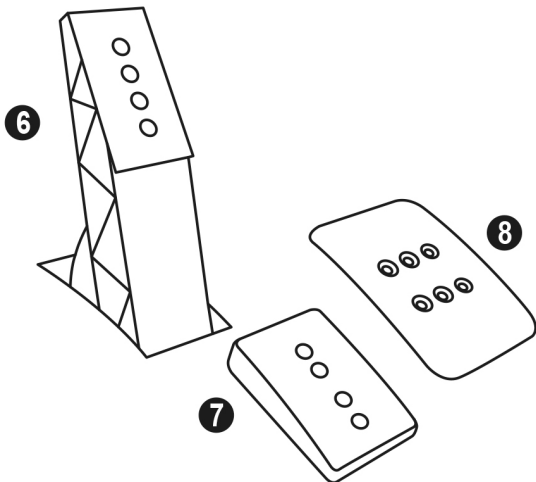


TEKNİK ÖZELLİKLER



- 1 Konik durdurucu için metal destek
(varsayılan olarak takılı değildir)
2 Konik durdurucu
3 Metal durdurucu montaj vidası

- 4 2,5 mm Allen anahtarı (dahil)
5 Konik durdurucu için pozisyon ayar somunu



- 6 Metal pedal kolu
7 Plastik başlık desteği

- 8 Metal pedal başlığı

UYARI

Bu ürünü kullanmadan önce bu talimatları mutlaka dikkatlice okuyun ve ileride başvuru kaynağı olarak kullanmak üzere saklayın.



Güvenlik nedeniyle pedal setini asla çıplak ayaklarla veya ayağınıza sadece çorap giyerek oynamayın.

THRUSTMASTER® PEDAL SETİNİN AYAKKABISIZ KULLANILMASINDAN KAYNAKLANAN YARALANMALARDA HİÇBİR SORUMLULUK KABUL ETMEZ.



Uyarı - Oyun oturumları sırasında pedal seti sıkıştırma tehlikesi

- * Pedal setini çocukların ulaşabileceği yerlerden uzak tutun.
- * Oyun oturumları sırasında parmaklarınızı asla pedalların yanlarına veya yakınına koymayın.
- * Oyun oturumları sırasında parmaklarınızı asla pedalların arka tabanına veya yakınına koymayın.
- * Oyun oturumları sırasında parmaklarınızı asla pedalların ön tabanına veya yakınına koymayın.

ASLA



ASLA



ASLA



OTOMATİK PEDAL KALİBRASYONU



- Kalibrasyon sorunlarını önlemek amacıyla direksiyon PS5™ konsoluna veya PS4™ konsoluna veya PC'ye bağlıyken veya oyun oturumları sırasında pedal setini asla direksiyonun tabanına bağlamayın veya tabanından ayırmayın.
- Pedal setini direksiyona daima direksiyonu PS5™ konsoluna veya PS4™ konsoluna veya PC'ye bağlamadan önce bağlayın.
- Direksiyon otomatik kalibrasyonu tamamlayıp oyun başladıktan sonra pedallar, birkaç kez basıldıklarında kendilerini otomatik olarak kalibre ederler.
- Kalibrasyon sorunlarını engellemek için direksiyon otomatik kalibrasyon yaparken veya oyun başlarken asla pedallara basmayın.
- Pedallar düzgün çalışmıyorsa veya doğru kalibre edilmemiş gibi gözüküyorsa konsolunuzu kapatın, direksiyonunuzu tamamen ayırın, ardından tüm kabloları (güç kaynağı kablosu ve pedal seti kablosu dahil) yeniden bağlayın ve konsolu yeniden açarak oyunu tekrar başlatın.

PEDAL SETİNİ KOKPİTE MONTE ETME

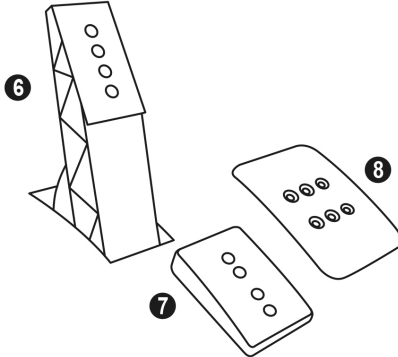
- Pedal setini, pedal setinin altında bulunan küçük vida deliklerini kullanarak monte edin.
- İki adet M6 vidayı (ürünle verilmez) kokpitin pedal destek plakasına ve pedal setinin altında bulunan iki küçük vida deliğine vidalayın.

Önemli: Pedal setinin iç parçalarının hasar görmesini engellemek için iki M6 vidanın boyu kokpitin pedal destek plakasının kalınlığı artı ilave 10 mm'yi aşmamalıdır.

PEDAL SETİNİN AYARLANMASI

Üç pedal setinin her biri şunları içerir:

- Çok delikli (gaz pedalında dokuz - fren pedalında iki - debriyajda altı) metal başlık (8).
- Dört delikli plastik başlık desteği (7) (başlık ile kol arasında yerleştirilir).
- Dört delikli metal pedal kolu (6).

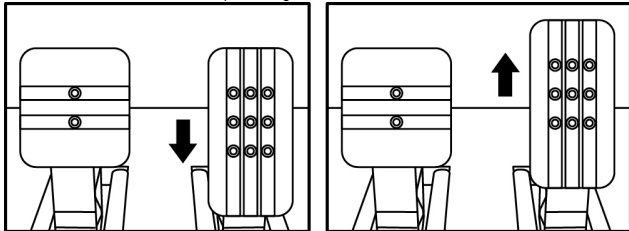


DİKKAT: Kalibrasyon sorunlarını önlemek için pedal setinize herhangi bir ayar yapmadan önce mutlaka direksiyonunuzun USB kablosunu PS5™ konsolundan veya PS4™ konsolundan ayırın.

3 pedalın YÜKSEKLİĞİNİN ayarlanması

- Ürünle verilen 2,5 mm Allen anahtarını (4) kullanarak metal başlık (8) ile desteğini (7) sabitleyen iki vidayı sökün.
- İsteddiğiniz yükseklik pozisyonunu seçerek metal başlık (8) ile desteğini (7) yerleştirerek sıkıca sabitleyecek şekilde vidaları sıkın.

Gaz pedalını gösteren örnekler:



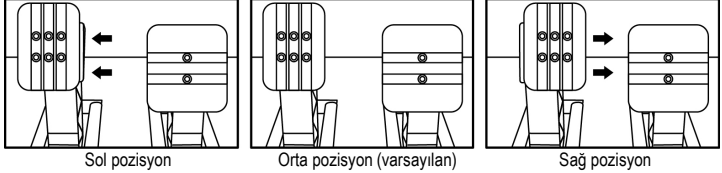
Alçak pozisyon

Yüksek pozisyon

Gaz pedalı ile debriyajın ARA BOŞLUĞUNUN ayarlanması

- Ürünle verilen 2,5 mm Allen anahtarını (4) kullanarak metal başlık (8) ile desteğini (7) sabitleyen iki vidayı sökün.
- İstedığınız pozisyonu (sola, ortaya veya sağa) seçerek metal başlık (8) ile desteğini (7) yerleştirerek sıkıca sabitleyecek şekilde vidaları sıkın.

Debriyaj pedalı gösteren örnekler:



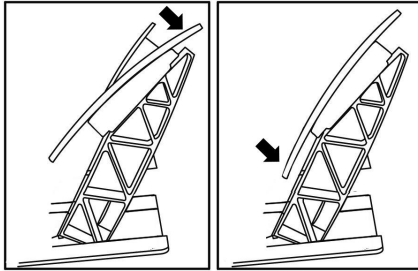
Pedal başına olası boşluk pozisyonu sayısı:

- Gaz pedalı için üç
- Debriyaj için üç

3 pedalin EĞİMİNİN ayarlanması

- Ürünle verilen 2,5 mm Allen anahtarını (4) kullanarak metal başlık (8) ile desteğini (7) sabitleyen iki vidayı sökün.
- Plastik başlık desteğini (7) 180° döndürün, ardından metal başlık (8) ile desteğini (7) yerleştirerek sıkıca sabitleyecek şekilde vidaları sıkın.

Gaz pedalı gösteren örnekler:



Pedal başına olası eğim pozisyonu sayısı:

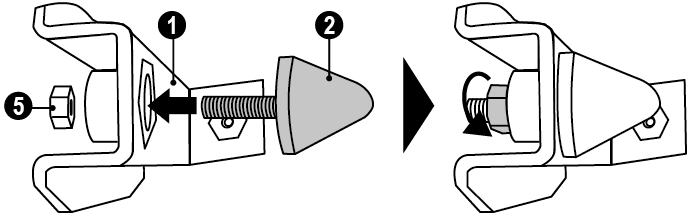
- Gaz pedalı için iki
- Fren pedalı için iki
- Debriyaj için iki

Konik durdurucunun monte edilmesi ("CONICAL RUBBER BRAKE" mod)

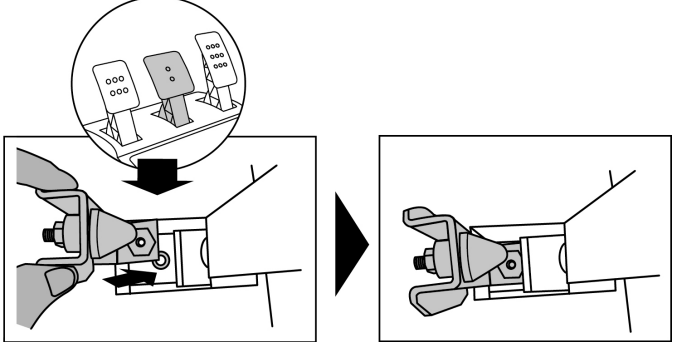
Bu modifikasyon (veya "mod") zorunlu değildir ve varsayılan olarak monte edilmez. Yani mod monteli olmasa bile fren pedalı mükemmel çalışır.

Bu mod frenleme sırasında farklı bir his ve direnç yaşamamanızı sağlar. Tercihinize göre monte etmek veya etmemek size kalmıştır.

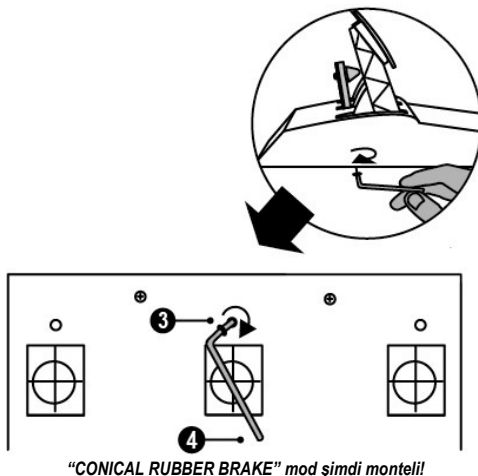
- Konik durdurucuyu (2) metal desteğine (1) vidalayın.
- Pozisyon ayar somununu (5) alta (konik durdurucunun vida deliğine) vidalayın.



- Üniteyi fren pedalı kolunun arkasına yerleştirin.

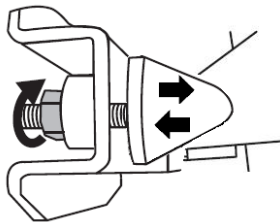


- Ürünle verilen 2,5 mm Allen anahtarını (4) kullanarak üniteyi montaj vidası (3) ve pedal setinin alt kısmında bulunan küçük merkezi vida deliğini kullanarak monte edin.



Fren pedalının hareket ARALIĞININ ve direnç KUVVETİNİN ayarlanması

Somunu (5) hafif gevşetip konik durdurucuyu (2) pedal kolunun arka kısmına yaklaştırarak fren pedalının direncini daha da kuvvetlendirebilirsiniz (gerekirse somunu yeniden sıkmak ve seçili pozisyonu korumak için 14 mm anahtar veya pense kullanın). Konik durdurucu pedal kolunun arka kısmına ne kadar çok yaklaşırlırsa direnç kuvveti o kadar büyük olur.



Not: Konik durdurucu fren pedalı kolunun arka kısmına çok yaklaşırlırsa maksimum kalibrasyon değerine ulaşmada zorluklar yaşayabilirsiniz. Bu durumda:

- * Maksimum değere ulaşmak için yavaş bir şekilde fren pedalına iyice basarak (gerekirse pedal üzerinde çok kısa (sadece bir saniyelığıne) durun), ardından baskıyı kesin; veya
- * Konik durdurucuyu fren pedalı kolunun arka kısmından bir miktar uzaklaştırın.

TÜKETİCİ GARANTİ BİLGİSİ

İşbu Thrustmaster ürünü, malzeme ve işçilik hatalarına karşı, müşterinin kusurlu ürünün ücretinin iade edilmesi veya değiştirilmesi talebinde bulunabileceği süreye karşılık gelen garanti süresince dünya çapında tescil edilmiş merkezi Place du Granier, B.P. 97143, 35571 Chantepie, Fransa'da bulunan Guillemot Corporation S.A. (bundan sonra "Guillemot" olarak ifade edilecektir) garantisini altındadır. Avrupa Birliği ülkelerinde bu süre, Thrustmaster ürününün tesliminden itibaren iki (2) seneye karşılık gelir. Diğer ülkelerde garanti süresi, Thrustmaster ürünü ile ilgili olarak, Thrustmaster ürününün satın alındığı tarihte müşterinin ikamet ettiği ülkede geçerli yasalara uygun şekilde, müşterinin kusurlu ürünün ücretinin iade edilmesi veya değiştirilmesi talebinde bulunabileceği süreye karşılık gelir (İlgili ülkede bu tür bir düzenleme mevcut değilse garanti süresi Thrustmaster ürününün satın alındığı asıl tarihten itibaren bir (1) yıl olacaktır).

Garanti süresi içinde üründe hata veya kusur tespit edilmesi durumunda derhal izlenecek yöntem ile ilgili size bilgi verecek olan Teknik Destek servisimize başvurun. Hata veya kusur onaylanırsa ürünün satın alındığı yere (ya da Teknik Destek servisi tarafından belirtilen yere) iade edilmesi gerekmektedir.

İşbu garanti kapsamında müşterinin kusurlu ürünü, Teknik Destek servisinin insiyatifine bağlı olarak, değiştirilecek veya çalışır hale getirilecektir. Garanti süresince Thrustmaster ürününün onarım işlemine tabi tutulması durumunda, ürünün kullanımı dışında olduğu en az yedi (7) günlük tüm süreler kalan garanti süresine eklenecektir (bu süre, ürünün onarılması için hazır bulundurulduğu tarih müdahale edilmesi için talepte bulunduğu tarihi takip ediyor ise müşterinin müdahale edilmesi için talepte bulunduğu tarihten veya bahse konu ürünün onarılması için hazır bulundurulduğu tarihten başlar). Yürürlükte olan yasaların izin verdiği durumlarda, Guillemot ve bağlılarının tüm sorumluluğu (dolaylı hasarlar da dahil olmak üzere) Thrustmaster ürününün çalışır hale getirilmesi veya değiştirilmesi ile sınırlıdır. Yürürlükte olan yasaların izin vermesi halinde Guillemot, ticarete elverişlilik veya belirli bir amaca uygunluk ile ilgili tüm garantileri reddeder.

İşbu garanti aşağıdaki durumlar için geçerli değildir: (1) Ürün modifiye edilmişse, açılmışsa, üzerinde değişiklik yapılmışsa, uygunsuz veya kötü kullanım, ihmal, kaza, normal aşınma ya da malzeme veya üretim hatası ile ilgili olmayan nedenlerden dolayı hasar görmüşse (ancak bununla sınırlı kalmamak üzere, Thrustmaster ürününü herhangi uygun bir elemanla birleştirmek, buna dahil olarak özellikle güç kaynakları, yeniden doldurulabilir piller, şarj cihazları veya bu ürün için Guillemot tarafından tedarik edilmemiş tüm diğer elemanlar); (2) ürün, evde kullanım dışında, profesyonel veya ticari maksatlı olanlar da dahil olmak üzere (örneğin oyun salonları, eğitim, yarışlar) başka maksatlarla kullanılmışsa; (3) Teknik Destek servisi tarafından sağlanan talimatlara uyulmamışsa; (4) yazılım için, işbu garanti geçerli değildir, söz konusu yazılım için sağlanan özel garanti hükümlerine tabidir; (5) sarf malzemeleri için (ürünün kullanım süresi içinde değiştirilecek elemanlar: örneğin; tek kullanımlık piller, kulaklık yastıkları); (6) aksesuarlar için (örneğin; kablolar, kılıflar, cepler, çantalar, bileklikler); (7) ürün açık artırma ile satılmışsa.

Bu garanti devrolunamaz.

Tüketim mallarının tüketicinin ülkesinde satışına ilişkin tüketicinin yasal hakları işbu garantiden etkilenmemektedir.

Ek garanti hükümleri

Garanti süresince, tüm Thrustmaster ürünlerini açmaya ve/veya onarmaya yetkili tek taraf Teknik Destek Servisi olduğundan prensip olarak Guillemot tarafından hiçbir yedek parça sağlanmayacaktır (Uygulanabilir olması durumunda yazılı talimatlarla ve müşteriye gerekli yedek parça(lar) sağlanarak Teknik Destek Servisinin müşteri tarafından yapılmasını isteyebileceği tüm onarım prosedürleri hariç – örneğin onarım işleminin basit olmasından ve gizlilik içermemesinden dolayı).

İnovasyon döngülerini dikkate almak ve bilgi birikimi ile ticari sırlarını korumak için Guillemot, prensip olarak garanti süresi dolmuş hiç bir Thrustmaster ürünü için onarım bilgisi veya yedek parça sağlamayacaktır.

Sorumluluk

Yürürlükte olan yasaların izin vermesi halinde, Guillemot Corporation S.A. (bundan sonra "Guillemot" olarak ifade edilecektir) ve bağluları aşağıdakilerin biri veya daha fazlasından kaynaklanan her türlü hasara karşı tüm sorumluluğu reddeder: (1) Ürün modifiye edilmişse, açılmışsa, üzerinde değişiklik yapılmışsa; (2) montaj talimatlarına uyulmamışsa; (3) uygunsuz veya kötü kullanım, ihmal, kaza (örneğin bir darbe); (4) normal aşınma; (5) ürünün, evde kullanım dışında, profesyonel veya ticari maksatlı olanlar da dahil olmak üzere (örneğin oyun salonları, eğitim, yarışlar) başka maksatlarla kullanılması. Yürürlükte olan yasaların izin vermesi halinde, Guillemot ve bağluları ürünle ilgili malzeme veya üretim hatası ile ilgili olmayan her türlü hasara karşı tüm sorumluluğu reddeder (ancak bununla sınırlı kalmamak üzere, herhangi bir yazılımdan veya Thrustmaster ürününün herhangi bir uygun olmayan elemanla birleştirilmesinden doğrudan veya dolaylı olarak kaynaklanan tüm hasarlar, buna dahil olarak özellikle güç kaynakları, yeniden doldurulabilir piller, şarj cihazları veya bu ürün için Guillemot tarafından tedarik edilmemiş tüm diğer elemanlar).

THRUSTMASTER®

TEKNİK DESTEK

<https://support.thrustmaster.com>



TELİF HAKKI

©2021 Guillemot Corporation S.A. Tüm hakları saklıdır. Thrustmaster®, Guillemot Corporation S.A.'nın tescilli ticari markasıdır. Guillemot Corporation S.A. tarafından üretilmekte ve dağıtılmaktadır. Diğer tüm ticari markalar ile marka adları işbu belgede tanınmış olup ilgili sahiplerine aittir. İçindekiler, tasarım ve teknik özellikler önceden haber vermeksizin değiştirilebilir ve ülkeden ülkeye farklılık gösterebilir. Fotoğraflar ve resimler bağlayıcı değildir. Kuzey Amerika ve Avrupa'da tasarlanmıştır, Çin'de üretilmiştir. Yalnızca PlayStation®5 konsolları ve PlayStation®4 konsolları ile kullanım için.

"PS", "PlayStation", "PS5" ve "PS4" Sony Interactive Entertainment Inc.'in ticari veya tescilli ticari markalarıdır. Tüm hakları saklıdır. Diğer tüm ticari markalar ilgili sahiplerine aittir. Sony Interactive Entertainment LLC lisansı ile üretilmekte ve dağıtılmaktadır.

Gran Turismo ve Gran Turismo logosu Sony Interactive Entertainment Inc.'in ticari veya tescilli ticari markalarıdır.

TouchSense® teknolojisi, Immersion Software Ireland Limited lisanslıdır. www.immersion.com/patent-marking.html adresinde bulunan bir veya daha fazla ABD patentiyle korunmuştur; diğer patentleri beklemektedir.

ÇEVRE KORUMA ÖNERİLERİ



* Avrupa Birliği, İngiltere ve Türkiye'de: Cihazın kullanım ömrü sona erdiğinde, standart ev atıkları ile atılmamalı, geri dönüşüm için Atık Elektrikli ve Elektronik Cihazların toplandığı bir yere bırakılmalıdır.

Bu, ürünün, kullanım kılavuzunun veya paketin üzerinde bulunan sembol ile onaylanmıştır.

Özelliklerine bağlı olarak malzemeler geri dönüştürülebilir. Atık Elektrik ve Elektronik Cihazların geri dönüşümü veya diğer işleme yöntemleri sayesinde çevrenin

korunmasına yönelik önemli bir katkıda bulunabilirsiniz. Size en yakın toplama merkezleri hakkında bilgi almak için lütfen yerel yetkililerle iletişime geçin.

Diğer ülkeler için: Lütfen elektrikli ve elektronik cihazların geri dönüşümü için yerel yasalara uyunuz.

AEEE Yönetmeliğine Uygundur.

Bu belgeyi saklayın. Renkler ve süslemeler değişiklik gösterebilir.
Plastik tutturucular ve bantlar, kullanmadan önce üründen çıkarılmalıdır.

www.thrustmaster.com

*Sadece AB, İngiltere ve Türkiye için geçerlidir



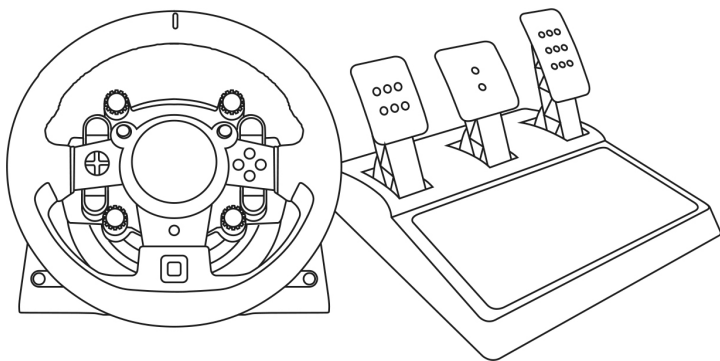
immersion.



T-GT II

Dla konsol PlayStation®5 i konsol PlayStation®4

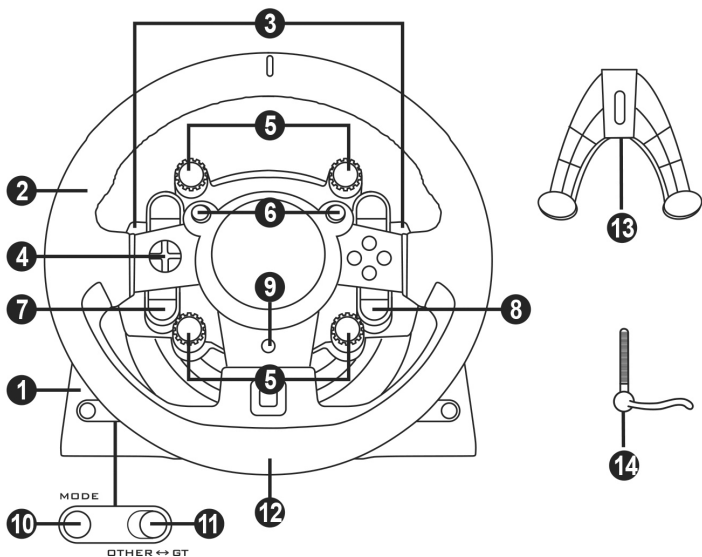
Instrukcja obsługi



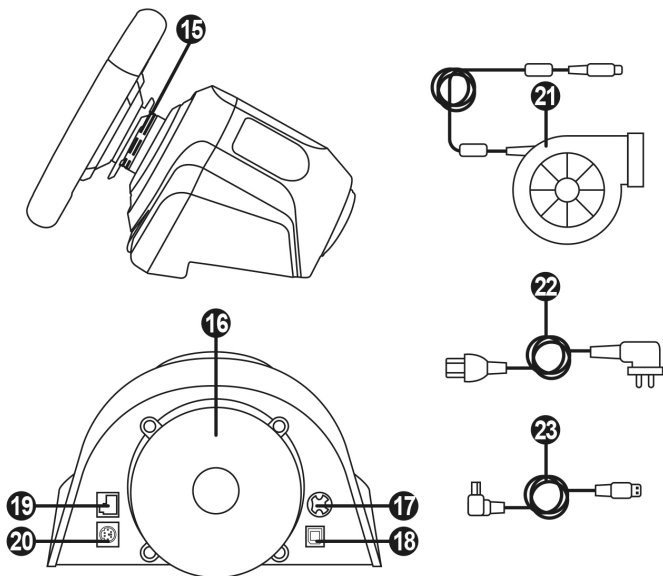
OSTRZEŻENIE:

W celu zapewnienia prawidłowego działania kierownicy T-GT II w grach może być wymagane zainstalowanie automatycznych aktualizacji gier (dostępnych, gdy konsola ma połączenie z Internetem).

ELEMENTY



- | | |
|---|--|
| 1 Podstawa T-GT II | 8 Przycisk OPTIONS |
| 2 Kierownica T-GT II | 9 Przycisk PS |
| 3 2 łopatkę sekwencyjnej zmiany biegów (w górę i w dół) | 10 Przycisk MODE + czerwona/zielona kontrolka |
| 4 Wielokierunkowy d-pad | 11 Wbudowany przełącznik suwakowy USB: OTHER / GT |
| 5 4 wybieraki obrotowe z funkcją przycisku | 12 Duży gwintowany otwór (na element montażowy i śrubę mocującą) |
| 6 2 minidrażki | 13 Element montażowy |
| 7 Przycisk SHARE/CREATE | 14 Metalowa śruba mocująca |



- | | |
|---|--|
| 15 Thrustmaster Quick Release | 20 Złącze skrzyni biegów TH8A (skrzynia do nabycia osobno) |
| 16 Układ efektów T-DFB (zgodny tylko z konsolami PS5™ i konsolami PS4™ w trybie GT) | 21 Zasilacz T-TURBO |
| 17 Złącze zasilacza T-TURBO | 22 Kabel zasilania |
| 18 Złącze kabla USB | 23 Kabel USB |
| 19 Złącze zestawu pedałów | |

PODŁĄCZANIE KIEROWNICY DO GNIAZDA ELEKTRYCZNEGO: PRZECZYTAJ UWAGNIE!



Nigdy nie podłączaj zasilacza T-TURBO do gniazda elektrycznego o innym napięciu! Napięcie zasilacza T-TURBO jest podane na etykiecie znajdującej się nad żeńskim złączem kabla zasilania.



Nigdy nie podłączaj do podstawy T-GT II innego zasilacza niż T-TURBO, nawet jeśli ma on zgodne złącze! Przykładowo nie podłączaj do podstawy T-GT II zasilacza przeznaczonego do kierownicy T500 RS.

OSTRZEŻENIA

Zanim rozpoczniesz korzystanie z urządzenia, szczegółowo zapoznaj się z niniejszą instrukcją, a następnie zachowaj ją do wglądu.



Ostrzeżenie — ryzyko porażenia prądem elektrycznym

- * Przechowuj urządzenie w suchym miejscu i nie wystawiaj go na działanie kurzu ani światła słonecznego.
- * Nie skręcaj ani nie naciągaj złączy ani kabli.
- * Nie wlewaj cieczy na urządzenie ani jego złącza.
- * Nie zwieraj urządzenia.
- * Nie demontuj urządzenia, nie wrzucaj go do ognia ani nie narażaj na działanie wysokich temperatur.
- * Nie używaj kabla zasilania innego niż dostarczony z kierownicą.
- * Nie używaj kabla zasilania, jeśli sam kabel lub jego złącza są uszkodzone, pęknięte lub przerwane.
- * Upewnij się, że kabel zasilania jest właściwie podłączony do gniazda elektrycznego i do złącza znajdującego się z tyłu podstawy kierownicy.
- * Nie otwieraj kierownicy: w jej wnętrzu nie ma części przeznaczonych do naprawiania przez użytkownika. Naprawy może wykonywać wyłącznie producent, jego autoryzowany przedstawiciel lub wykwalifikowany serwisant.
- * Korzystaj wyłącznie z elementów montażowych/akcesoriów określonych przez producenta.
- * W przypadku nietypowego działania kierownicy (na przykład gdy wydobywają się z niej dziwne dźwięki, ciepło lub zapachy) natychmiast przestań jej używać, wyciągnij kabel zasilania z gniazda elektrycznego i odłącz pozostałe kable.
- * Jeśli nie zamierzasz korzystać z kierownicy przez dłuższy czas, wyciągnij jej kabel zasilania z gniazda elektrycznego.
- * Gniazdo elektryczne musi znajdować się w pobliżu urządzenia i musi być łatwo dostępne.

Informacje dotyczące zasilacza 220 V

Publikowana informacja	Wartość	Jednostka
Nazwa lub znak towarowy producenta, numer jego wpisu w rejestrze handlowym i adres	GUILLEMOT CORPORATION S.A. 414 196 758 Rennes Place du Granier BP 97143 35571 Chantepie Cedex Francja	
Identyfikator modelu	Turbo Power 220V	
Napięcie wejściowe	220–240	V
Częstotliwość wejściowa prądu przemiennego (AC)	50/60	Hz
Napięcie wyjściowe	24,0	V AC
Prąd wyjściowy	4,0	A
Moc wyjściowa	96,0	W
Średnia sprawność podczas pracy	90,9	%
Sprawność przy niskim obciążeniu (10 %)	86,8	%
Pobór mocy bez obciążenia	0,01	W



Odpowietzniki

Dbaj, aby żaden z odpowietzników w podstawie kierownicy nie był zasłonięty. W celu zapewnienia optymalnej wentylacji przestrzegaj następujących zaleceń:

- * Ustaw podstawę kierownicy w odległości co najmniej 10 cm od wszelkich ścian.
- * Nie umieszczaj podstawy w ciasnych miejscach.
- * Nie przykrywaj podstawy.
- * Nie dopuszczaj do gromadzenia się kurzu w odpowietznikach.



**Ze względów bezpieczeństwa zestawu pedałów nie wolno używać w bosych stopach ani w samych skarpetkach.
FIRMA THRUSTMASTER® NIE PONOSI ŻADNEJ ODPOWIEDZIALNOŚCI
ZA EWENTUALNE OBRAŻENIA CIAŁA WYNIKŁE Z UŻYWANIA
ZESTAWU PEDAŁÓW BEZ OBUWIA.**



Ostrzeżenie — ryzyko obrażeń ciała spowodowanych siłowym sprzężeniem zwrotnym i powtarzającymi się ruchami

Granie przy użyciu kierownicy z siłowym sprzężeniem zwrotnym (Force Feedback) może doprowadzić do bólu mięśni lub stawów. W celu uniknięcia problemów:

- * Unikaj grania przez długi czas.
- * Po każdej godzinie gry rób 10–15 minut przerwy.
- * Jeśli odczuwasz zmęczenie lub ból dłoni, nadgarstków, ramion, stóp albo nóg, przerwij grę, a przed jej ponownym rozpoczęciem odpocznij kilka godzin.
- * Jeśli po ponownym rozpoczęciu gry opisane powyżej objawy lub ból powrócą, przerwij grę i skonsultuj się z lekarzem.
- * Trzymaj kierownicę z dala od dzieci.
- * Podczas gry zawsze trzymaj obie dłonie we właściwym położeniu na kierownicy bez jej całkowitego puszczenia.
- * Podczas gry nigdy nie kładź dłoni ani palców pod pedałami ani w pobliżu zestawu pedałów.
- * Podczas kalibracji i gry nigdy nie przekładaj dłoni ani ramion przez otwory w kierownicy.
- * Sprawdź, czy podstawa kierownicy jest właściwie zamocowana zgodnie ze wskazówkami podanymi w niniejszej instrukcji.

CIĘŻKIE URZĄDZENIE

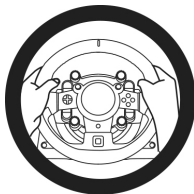


Urządzenie tylko dla użytkowników powyżej 16 roku życia



Uważaj, aby nie upuścić urządzenia na siebie ani inną osobę!

ZAWSZE



NIGDY



NIGDY



Ostrzeżenie — ryzyko przytraśnięcia przez pedały podczas gry

- * Trzymaj zestaw pedałów z dala od dzieci.
- * Podczas gry nigdy nie kładź palców na bokach pedałów ani nie zbliżaj ich do tego miejsca.
- * Podczas gry nigdy nie kładź palców na tylnej powierzchni podstawy pedałów ani nie zbliżaj ich do tego miejsca.
- * Podczas gry nigdy nie kładź palców na przedniej powierzchni podstawy pedałów ani nie zbliżaj ich do tego miejsca.

NIGDY



NIGDY



NIGDY



Ostrzeżenie — ryzyko przytraśnięcia przez pedały poza gra

- * Przechowuj zestaw pedałów w bezpiecznym miejscu i trzymaj go z dala od dzieci.

AKTUALIZACJA OPROGRAMOWANIA SPRZĘTOWEGO KIEROWNICY

Oprogramowanie zawarte w podstawie kierownicy można zaktualizować do nowszej wersji, zawierającej rozszerzenia różnych funkcji.

Aby wyświetlić wersję oprogramowania sprzętowego, z której obecnie korzysta kierownica, i w razie potrzeby ją zaktualizować, na komputerze wejdź na stronę <https://support.thrustmaster.com/>. Kliknij **Racing Wheels / T-GT II**, wybierz **Firmware**, a następnie postępuj zgodnie z instrukcją pobierania i instalacji.

Ważna uwaga:

W przypadku komputera PC przełącznik suwakowy USB (11) znajdujący się w podstawie kierownicy musi być zawsze ustawiony w położeniu OTHER.

ZAKŁADANIE KIEROWNICY NA PODSTAWĘ

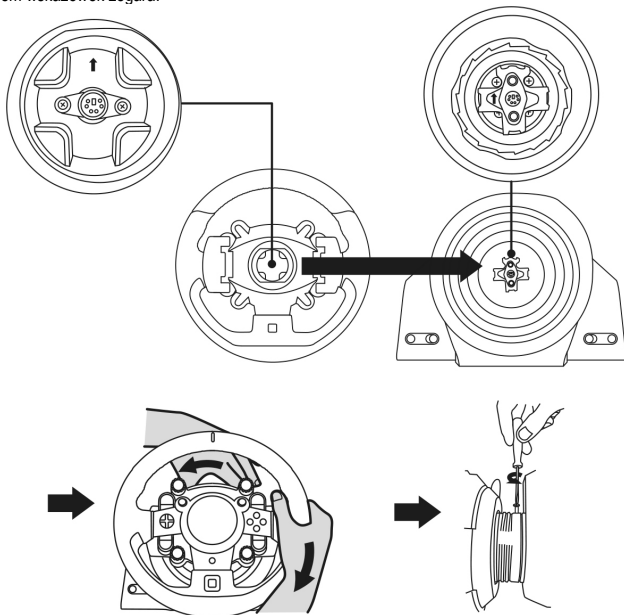
Wyrównaj położenie złączy przy użyciu strzałek:

Złącze podstawy (1): strzałka skierowana w górę

Złącze kierownicy (2): strzałka skierowana w górę

Po prawidłowym ustawieniu złączy obróć pierścień mechanizmu Thrustmaster Quick Release (15) przeciwnie do ruchu wskazówek zegara, jednocześnie przytrzymując kierownicę (2).

Następnie maksymalnie dokręć pierścień. W tym celu przytrzymaj pierścień i obracaj kierownicę zgodnie z ruchem wskazówek zegara.



Po zamontowaniu kierownicy obróć ją o 180° (gdy staniesz przodem do kierownicy, logo GT powinno być zwrócone dołem do góry), aby uzyskać dostęp do śrubki mocującej znajdującej się na pierścieniu mechanizmu Thrustmaster Quick Release (15). Przy użyciu dużego śrubokręta krzyżakowego dokręć śrubkę mocującą (bez używania nadmiernej siły), obracając ją zgodnie z ruchem wskazówek zegara.

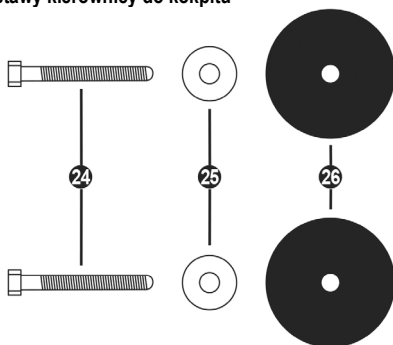


Gdy korzystasz ze śrubokręta krzyżakowego, **NIE** używaj nadmiernej siły podczas dokręcania śrubki mocującej!

Gdy tylko poczujesz opór, przerwij dokręcanie.

MOCOWANIE KIEROWNICY

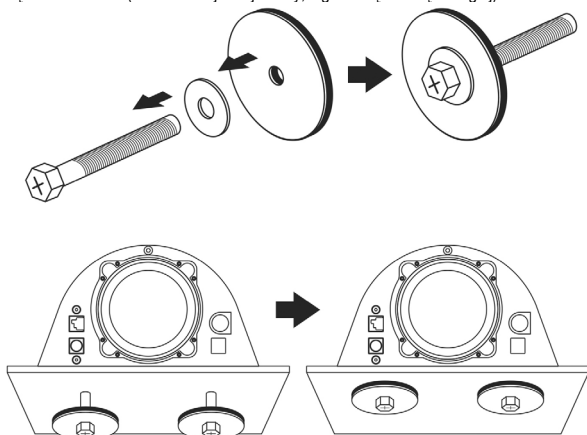
Mocowanie podstawy kierownicy do kokpitu



24 2 śruby M6 z łbem sześciokątnym/łbem krzyżowym

25 2 podkładki

26 2 krążki montażowe (metalowe z jednej strony, z gumową fakturą z drugiej)



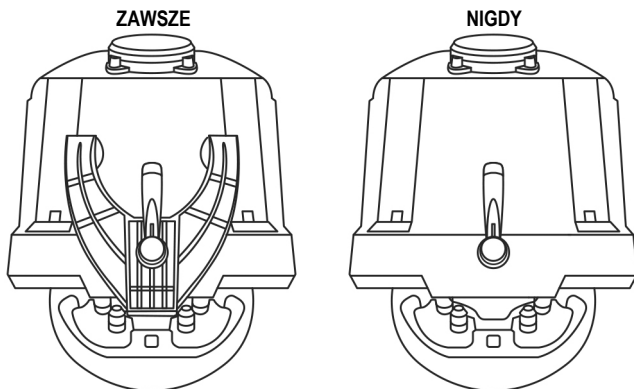
1. Umieść podkładki (25) po metalowej stronie krążków montażowych (26) i włóż śruby M6 z łbem sześciokątnym/łbem krzyżowym (24).
2. Umieść podstawę kierownicy na półce kokpitu.
3. Korzystając z 10-milimetrowego klucza maszynowego lub śrubokręta krzyżakowego, wkręć zestaw do montażu kokpitowego w półkę kokpitu i w 2 niewielkie gwintowane otwory znajdujące się pod kierownicą.

UWAGA:

- Nie zdejmuj podkładek piankowych znajdujących się pod podstawą kierownicy! Podkładki te służą do wzmocnienia efektów układu T-DFB przy podłączonej kierownicy.
- Krażki montażowe (26) należy koniecznie ustawić tak, aby ich strona z gumową fakturą była zwrócona do półki kokpitu = krażków nie wolno ustawiać tak, aby były zwrócone do półki kokpitu stroną metalową.

Mocowanie kierownicy do stołu lub biurka

1. Połóż kierownicę na stole lub innej poziomej, płaskiej i stabilnej powierzchni.
2. Włóż śrubę mocującą (14) w element montażowy (13), a następnie zamocuj urządzenie, wkręcając śrubę przeciwnie do ruchu wskazówek zegara w duży gwintowany otwór (12) znajdujący się pod kierownicą aż do solidnego i stabilnego zamocowania kierownicy.



UWAGA:

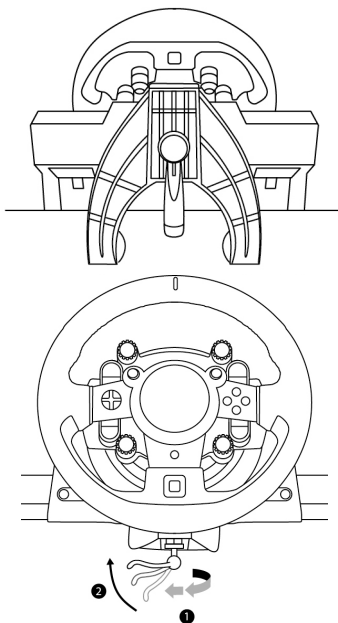
- Nie wolno wkręcać samej śruby bez elementu montażowego! (Może to spowodować uszkodzenie kierownicy).
- Nie zdejmuj podkładek piankowych znajdujących się pod podstawą kierownicy! Podkładki te służą do wzmocnienia efektów układu T-DFB przy podłączonej kierownicy.

**MOCOWANIE/ZDEJ
MOWANIE**

KIERUNEK

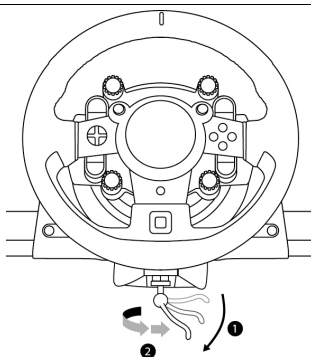
Dokręcanie:

**Obróć śrubę
przeciwnie
do ruchu wskazówek
zegara**



Odkręcanie:

**Obróć śrubę zgodnie
z ruchem
wskazówek zegara**



KONFIGUROWANIE KIEROWNICY POD KĄTEM KONSOL PS5™ I KONSOL PS4™

1. Podłącz zestaw pedałów do właściwego złącza (19) znajdującego się z tyłu podstawy kierownicy.
2. Podłącz zasilacz T-TURBO (21) do właściwego złącza (17).
3. Podłącz kabel zasilania (22) do zasilacza T-TURBO, a następnie do gniazda elektrycznego o tym samym napięciu.
4. Ustaw przełącznik suwakowy USB (11) w położeniu „OTHER” lub „GT”, w zależności od gry na PS5™ lub gry na PS4™, z której korzystasz.
5. Podłącz kabel USB (23) do właściwego złącza (18) i do jednego z portów USB w konsoli PS5™ lub konsoli PS4™.
6. Po włączeniu zasilania konsoli PS5™ lub konsoli PS4™ nastąpi automatyczna kalibracja kierownicy.
7. Naciśnij przycisk PS (9) na kierownicy i zaloguj się na konto PlayStation™ Network, aby umożliwić działanie kierownicy.

Teraz możesz zacząć grać!

Ważne uwagi:

- Nie zapomnij nacisnąć przycisku PS (9) na kierownicy, aby umożliwić jej działanie.
- Zanim kabel USB kierownicy zostanie podłączony do konsoli, przełącznik suwakowy USB (11) znajdujący się na podstawie kierownicy należy zawsze ustawić we właściwym położeniu („OTHER” lub „GT”).
- Chcąc zmienić położenie przełącznika suwakowego, odłącz kabel USB, następnie ustaw przełącznik w odpowiednim położeniu, a następnie ponownie podłącz kabel USB do konsoli.
- Lista gier na PlayStation®5 i gier na PlayStation®4 zgodnych z kierownicą T-GT II (wraz z położeniem przełącznika suwakowego USB (11) wymaganym w poszczególnych grach) jest dostępna na stronie: <https://support.thrustmaster.com> (w sekcji Racing Wheels/T-GT II). Lista jest regularnie aktualizowana.

PRZEŁĄCZNIK SUWAKOWY USB (11) W POŁOŻENIU „OTHER” W GRACH NA PS5™ I GRACH NA PS4™ INNYCH NIŻ GT SPORT

Jeśli przełącznik suwakowy USB (11) jest ustawiony w położeniu „OTHER”:

* Układ siłowego sprzężenia zwrotnego działa, ale nie działa układ efektów T-DFB (16).

PRZEŁĄCZNIK SUWAKOWY USB (11) W POŁOŻENIU „GT” W GRZE GT SPORT (I INNYCH PRZYSZŁYCH GRACH GT)

Jeśli przełącznik suwakowy USB (11) jest ustawiony w położeniu „GT”:

* Układ siłowego sprzężenia zwrotnego i układ efektów T-DFB (16) działają jednocześnie. W opcjach gry GT Sport można niezależnie ustawiać poziom mocy każdego układu.

KONFIGUROWANIE KIEROWNICY POD KĄTEM KOMPUTERA PC*

*Zgodność z komputerem PC nie jest wspierana przez firmy Sony Interactive Entertainment Europe i Sony Interactive Entertainment LLC.

Więcej informacji na stronie <https://support.thrustmaster.com/>.

AUTOMATYCZNA KALIBRACJA KIEROWNICY I ZESTAWU PEDAŁÓW

Kierownica kalibruje się automatycznie po jej podłączeniu do gniazda elektrycznego oraz podłączeniu złącza USB kierownicy do konsoli.

Podczas tej operacji kierownica obraca się szybko w lewo i w prawo (łącznie o 1080 stopni), a następnie zatrzymuje się w położeniu środkowym.



OSTRZEŻENIE:

**Podczas automatycznej kalibracji nie wolno dotykać kierownicy!
(Może to doprowadzić do błędów kalibracji i/lub obrażeń ciała).**

AUTOMATYCZNA KALIBRACJA ZESTAWU PEDAŁÓW

Zestawu pedałów nie wolno podłączać do podstawy kierownicy (ani odłączać go od podstawy), gdy kierownica jest podłączona do konsoli ani w trakcie gry, ponieważ może to doprowadzić do błędów kalibracji.

Zestaw pedałów zawsze podłączaj przed podłączeniem kierownicy do konsoli.

Po zakończeniu kalibracji kierownicy i uruchomieniu gry pedały kalibrują się automatycznie po ich kilkukrotnym naciśnięciu.



OSTRZEŻENIE:

Nie wolno naciskać pedałów podczas automatycznej kalibracji kierownicy ani w trakcie ładowania gry! (Może to doprowadzić do błędów kalibracji).

Jeśli kierownica i zestaw pedałów nie działają prawidłowo lub wydają się niewłaściwie skalibrowane:

Wyłącz konsolę i całkowicie odłącz kierownicę. Następnie podłącz ponownie wszystkie kable (w tym kabel zasilania i zestaw pedałów) oraz uruchom ponownie konsolę i grę.

WEWNĘTRZNY UKŁAD CHŁODZENIA PODSTAWY KIEROWNICY

Wewnętrzny układ chłodzenia w podstawie kierownicy:

- zaczyna działać w momencie włączenia zasilania kierownicy;
- wyłącza się po kilku minutach bezczynności, gdy temperatura wewnętrzna spadnie do odpowiednio niskiego poziomu;
- włącza się ponownie, gdy korzystasz z kierownicy.

PRZYCISK I KONTROLKA MODE (10)

Przycisk MODE do zestawu pedałów

Kierownica T300 jest zgodna z zestawami pedałów Thrustmaster zawierającymi 3 pedały. Zestawy te umożliwiają elektroniczną zmianę pedałów przyspieszenia i sprzęgła.

W tym celu należy nacisnąć przycisk MODE (10) i przytrzymać go przez 2 sekundy.

Informacja o tym, czy pedały zostały zamienione miejscami, jest przechowywana w wewnętrznej pamięci kierownicy.

PEDAŁY GAZU I SPRZĘGŁA	Kolor kontrolki MODE (10)
NORMALNE	CZERWONY
ZAMIENIONE	ZIELONY

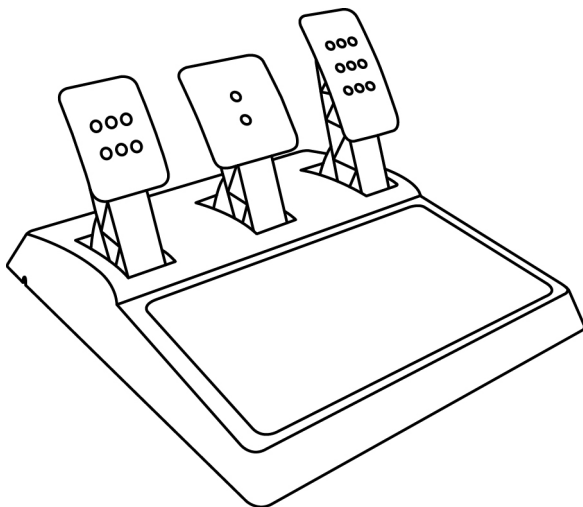
Inne wskazówki dotyczące przycisku MODE

Więcej informacji na temat przycisku i kontrolki MODE znajdziesz na stronie <https://support.thrustmaster.com/>. Kliknij **Racing Wheels / T-GT II**, a następnie wybierz **Manual** lub **FAQ**.

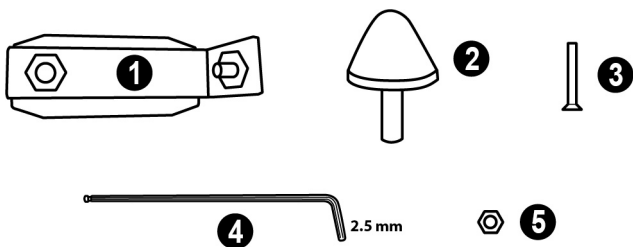
PLIKI POMOCY I CZĘSTO ZADAWANE PYTANIA

Wejdź na stronę <https://support.thrustmaster.com/>. Kliknij **Racing Wheels / T-GT II**, a następnie wybierz **Manual** lub **FAQ**.

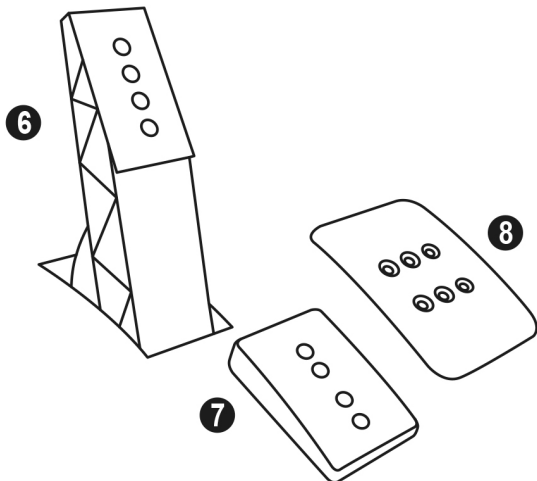
ZESTAW PEDAŁÓW **T-GT II EDITION**



ELEMENTY



- 1 Metalowa podpórka ogranicznika stożkowego
(domyślnie niezainstalowana)
- 2 Ogranicznik stożkowy
- 3 Śrubka mocująca do metalowej podpórki
- 4 Klucz imbusowy 2,5 mm (w komplecie)
- 5 Nakrętka do regulacji położenia ogranicznika stożkowego



- 6 Metalowe ramię pedału
- 7 Plastikowa podpórka stopki
- 8 Metalowa stopka pedału

OSTRZEŻENIE

Zanim rozpoczniesz korzystanie z urządzenia, szczególnie zapoznaj z niniejszą instrukcją, a następnie zachowaj ją do wglądu.



Ze względów bezpieczeństwa zestawu pedałów nie wolno używać w bosych stopach ani samych skarpetach.

FIRMA THRUSTMASTER® NIE PONOSI ŻADNEJ ODPOWIEDZIALNOŚCI ZA EWENTUALNE OBRAŻENIA CIAŁA WYNIKŁE Z UŻYWANIA ZESTAWU PEDAŁÓW BEZ OBUWIA.



Ostrzeżenie — ryzyko przytrzaśnięcia przez pedały podczas gry

- * Trzymaj zestaw pedałów z dala od dzieci.
- * Podczas gry nigdy nie zbliżaj palców ani kciuków do boków pedałów.
- * Podczas gry nigdy nie zbliżaj palców ani kciuków do tylnej powierzchni pedałów.
- * Podczas gry nigdy nie zbliżaj palców ani kciuków do przedniej powierzchni pedałów.

NIGDY



NIGDY



NIGDY





- Zestawu pedałów nie wolno podłączać ani odłączać od podstawy kierownicy, gdy kierownica jest podłączona do konsoli PS5™ lub konsoli PS4™ albo do komputera ani w trakcie gry. Pozwala to uniknąć problemów z kalibracją.
- Zestaw pedałów zawsze podłączaj do kierownicy, zanim podłączysz ją do konsoli PS5™ lub konsoli PS4™ albo do komputera.
- Po zakończeniu automatycznej kalibracji kierownicy i uruchomieniu gry pedały kalibrują się automatycznie po ich kilkukrotnym naciśnięciu.
- Aby uniknąć problemów z kalibracją, nie naciskaj pedałów podczas automatycznej kalibracji kierownicy lub uruchamiania gry.
- Jeśli pedały nie działają prawidłowo lub wydają się niewłaściwie skalibrowane, wyłącz konsolę, całkowicie odłącz kierownicę, a następnie ponownie podłącz wszystkie kable (w tym kabel zasilania i kabel zestawu pedałów), ponownie włącz zasilanie konsoli i ponownie uruchom grę.

MOCOWANIE ZESTAWU PEDAŁÓW DO KOKPITU

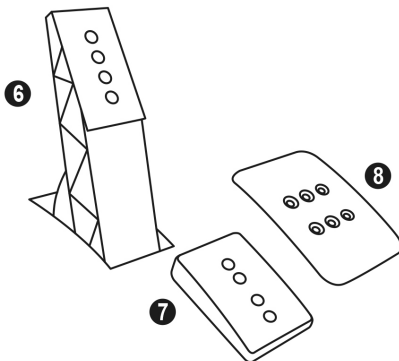
- Zamocuj zestaw pedałów przy użyciu niewielkich gwintowanych otworów znajdujących się pod spodem zestawu.
- Wkręć dwie śruby M6 (do nabycia osobno) w płytę podporową pedałów w kokpicie oraz w dwa niewielkie gwintowane otwory znajdujące się pod spodem zestawu pedałów.

Ważne: długość śrub M6 nie może przekraczać grubości płyty podporowej w kokpicie powiększonej o 10 mm. Dłuższe śruby mogą uszkodzić elementy wewnętrzne zestawu pedałów.

REGULACJA ZESTAWU PEDAŁÓW

Każdy z trzech pedałów zawiera:

- metalową stopkę (8) z kilkoma otworami (dziewięcioma w pedale przyspieszenia, dwoma w pedale hamulca i sześcioma w pedale sprzęgła),
- plastikową podpórkę stopki (7) (umieszczaną między stopką a ramieniem) z czterema otworami,
- metalowe ramię (6) z czterema otworami.

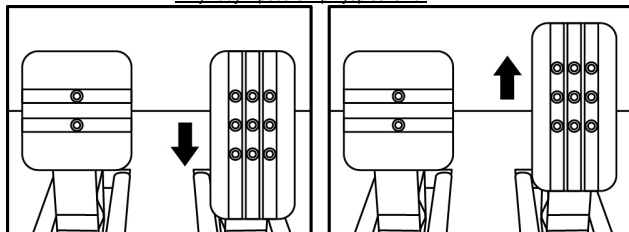


UWAGA: Aby uniknąć problemów z kalibracją, przed jakąkolwiek regulacją zestawu pedałów zawsze odłącz kabel USB kierownicy od konsoli PS5™ lub konsoli PS4™.

Regulacja WYSOKOŚCI 3 pedałów

- Za pomocą dostarczonego klucza imbusowego 2,5 mm (4) wykręć dwie śruby przytrzymujące metalową stopkę (8) i jej podpórkę (7).
- Wybierz preferowaną wysokość, a następnie włoż i wkręć śruby w celu solidnego zamocowania metalowej stopki (8) i jej podpórki (7).

Przykłady z pedalem przyspieszenia:



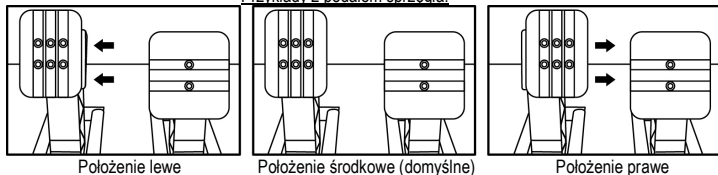
Położenie niskie (domyślne)

Położenie wysokie

Regulacja ODLEĞŁOŚCI między pedałem przyspieszenia i pedałem sprzęgła

- Za pomocą dostarczonego klucza imbusowego 2,5 mm (4) wykręć dwie śruby przytrzymujące metalową stopkę (8) i jej podpórkę (7).
- Wybierz preferowane położenie (lewe, środkowe lub prawe), a następnie włoż i wkręć śruby w celu solidnego zamocowania metalowej stopki (8) i jej podpórki (7).

Przykłady z pedałem sprzęgła:



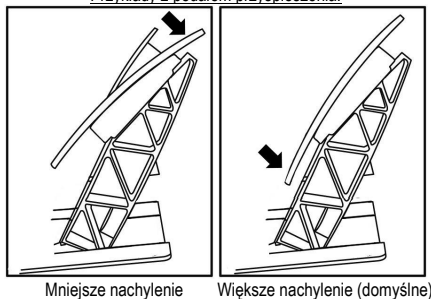
Liczba możliwych ustawień odstępów w poszczególnych pedalach:

- Trzy w pedale przyspieszenia
- Trzy w pedale sprzęgła

Regulacja NACHYLENIA 3 pedałó

- Za pomocą dostarczonego klucza imbusowego 2,5 mm (4) wykręć dwie śruby przytrzymujące metalową stopkę (8) i jej podpórkę (7).
- Obróć plastikową podpórkę stopki (7) o 180°, a następnie włoż i wkręć śruby w celu solidnego zamocowania metalowej stopki (8) i jej podpórki (7).

Przykłady z pedałem przyspieszenia:



Liczba możliwych ustawień nachylenia poszczególnych pedałó:

- Dwa w pedale przyspieszenia
- Dwa w pedale hamulca
- Dwa w pedale sprzęgła

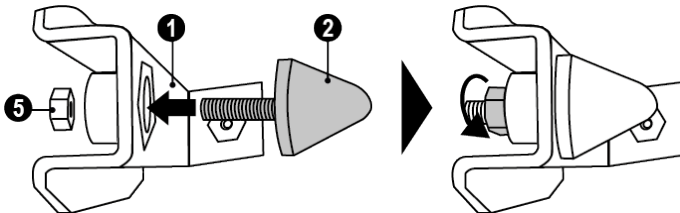
Instalowanie ogranicznika stożkowego (modu „CONICAL RUBBER BRAKE”)

Ten element (tzw. „mod”) nie jest niezbędny i nie jest instalowany fabrycznie. Oznacza to, że pedał hamulca działa znakomicie nawet bez instalowania modu.

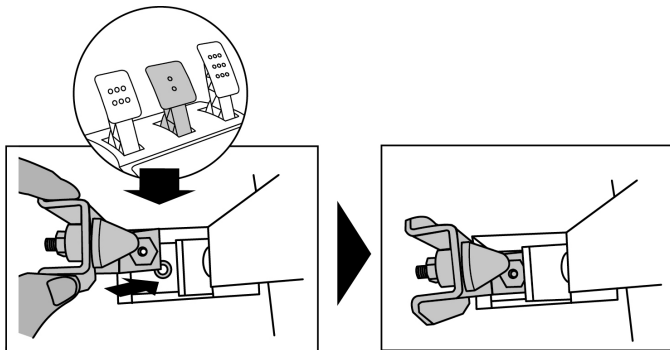
Dodatkowy mod powoduje inne odczucia i inny opór podczas hamowania.

Ewentualną decyzję o jego zainstalowaniu powinien podjąć użytkownik na podstawie własnych preferencji.

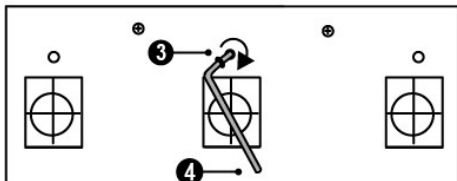
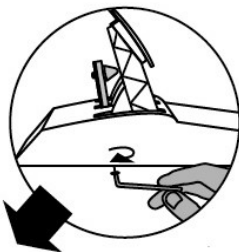
- Wkręć ogranicznik stożkowy (2) w jego metalową podpórkę (1).
- Nakręć nakrętkę do regulacji położenia (5) u dołu (na gwint ogranicznika stożkowego).



- Umieścić gotowy element z tyłu ramienia pedału hamulca.



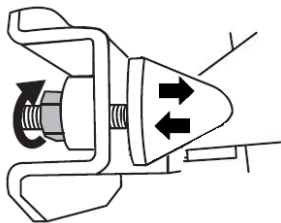
– Za pomocą dostarczonego klucza imbusowego 2,5 mm (4) zamocuj element, wkręcając śrubkę mocującą (3) w niewielki gwintowany otwór znajdujący się w środkowej części spodniej powierzchni zestawu pedałów.



Mod „CONICAL RUBBER BRAKE” został zainstalowany!

Regulacja ZAKRESU ruchu i SIŁY oporu pedału hamulca

Przez nieznaczące odkręcenie nakrętki (5) można dodatkowo zwiększyć opór pedału hamulca, przesuwając ogranicznik stożkowy (2) bliżej tylnej powierzchni ramienia pedału (w razie potrzeby użyj klucza 14 mm lub kombinerek w celu dokręcenia nakrętki i zachowania wybranego położenia). Im bliżej tylnej powierzchni ramienia pedału znajduje się ogranicznik, tym większa jest siła oporu.



Uwaga: jeśli ogranicznik stożkowy znajduje się bardzo blisko tylnej powierzchni ramienia pedału hamulca, osiągnięcie maksymalnej wartości kalibracji może być utrudnione. W takim przypadku:

* **Powoli** bardzo mocno naciśnij na pedał hamulca, tak aby osiągnąć wartość maksymalną (w razie potrzeby stań na pedale przez bardzo krótką chwilę — wystarczy sekunda), a następnie puść pedał, lub

* Odsuń nieco ogranicznik stożkowy od tylnej powierzchni ramienia pedału hamulca.

INFORMACJE DOTYCZĄCE GWARANCJI DLA KLIENTA

Firma Guillemot Corporation S.A. z siedzibą pod adresem Place du Granier, B.P. 97143, 35571 Chantepie, Francja („Guillemot”) udziela klientowi obowiązującej na całym świecie gwarancji, że niniejszy produkt Thrustmaster będzie wolny od wad materiałowych i produkcyjnych przez okres gwarancji równy limitowi czasu, w którym klient może występować z roszczeniami z tytułu wad niniejszego produktu. W krajach Unii Europejskiej jest to okres dwóch (2) lat od dostarczenia produktu Thrustmaster. W innych krajach okres gwarancji jest równy limitowi czasu, w którym klient może występować z roszczeniami z tytułu wad produktu Thrustmaster zgodnie z przepisami obowiązującymi w kraju, w którym klient mieszkał w dniu zakupu produktu Thrustmaster. (Jeśli przepisy danego kraju nie przewidywają występowania z takimi roszczeniami, okres gwarancji będzie wynosił jeden (1) rok od pierwotnej daty zakupu produktu Thrustmaster).

Jeśli w okresie gwarancji wystąpią objawy mogące świadczyć o wadzie produktu, należy niezwłocznie skontaktować się z działem pomocy technicznej, który wskaże dalszy sposób postępowania. W razie potwierdzenia wady produkt należy zwrócić w punkcie zakupu (lub innym miejscu wskazanym przez dział pomocy technicznej).

W ramach niniejszej gwarancji wadliwy produkt zostanie wymieniony lub przywrócony do stanu sprawności użytkowej, zgodnie z decyzją działu pomocy technicznej. Jeśli w okresie gwarancji produkt Thrustmaster zostanie poddany czynnościom mającym na celu przywrócenie go do stanu użytkowego, dowolny okres co najmniej siedmiu (7) dni, podczas których produkt nie jest użytkowany, zostanie dodany do pozostałego okresu gwarancji (okres ten liczy się od dnia, w którym klient poprosi o interwencję, lub od dnia, w którym dany produkt zostanie udostępniony celem przywrócenia do stanu użytkowego, jeśli data udostępnienia celem przywrócenia do stanu użytkowego następuje po dacie prośby o interwencję). Jeśli zezwala na to obowiązujące prawo, całkowita odpowiedzialność firmy Guillemot i jej podmiotów zależnych (łącznie z odpowiedzialnością za szkody wtórne) ogranicza się do przywrócenia do stanu użytkowego lub wymiany produktu Thrustmaster. Jeśli zezwala na to obowiązujące prawo, firma Guillemot wyłącza wszelkie gwarancje pokupności i przydatności do określonego celu.

Niniejsza gwarancja nie obowiązuje: (1) w przypadku, gdy produkt został zmodyfikowany, otwarty, zmieniony albo uszkodzony na skutek nieodpowiedniego lub nadmiernego użytkowania, niedbałości, wypadku, normalnego zużycia lub z innego powodu niezwiązanego z wadą materiałową ani produkcyjną (w tym między innymi z powodu połączenia produktu Thrustmaster z nieodpowiednim elementem, w tym w szczególności z zasilaczem, akumulatorem, ładowarką lub jakimkolwiek innym elementem niedostarczonym przez firmę Guillemot dla tego produktu); (2) w przypadku używania produktu w sposób inny niż użytek domowy, w tym do celów zawodowych lub komercyjnych (na przykład w salonach gier albo do prowadzenia szkoleń lub zawodów); (3) w razie nieprzestrzegania instrukcji podanych przez dział pomocy technicznej; (4) w odniesieniu do oprogramowania, jako że oprogramowanie to jest objęte odrębną szczegółową gwarancją; (5) w odniesieniu do materiałów eksploatacyjnych (elementów wymienianych w czasie eksploatacji produktu, na przykład baterii jednorazowych, muszli/nakładek na uszy do zestawów słuchawkowych lub słuchawek); (6) w odniesieniu do akcesoriów (na przykład kabli, pokrowców, etui, torebek, pasków na rękę); (7) w przypadku sprzedania produktu na aukcji publicznej.

Niniejsza gwarancja nie podlega przeniesieniu.

Niniejsza gwarancja nie wpływa na prawa klienta wynikające z przepisów dotyczących sprzedaży dóbr konsumenckich w kraju klienta.

Dodatkowe postanowienia gwarancyjne

W okresie gwarancji firma Guillemot zasadniczo nie udostępnia jakichkolwiek części zamiennych, ponieważ jedynym podmiotem upoważnionym do otwarcia jakiegokolwiek produktu Thrustmaster i/lub przywrócenia go do stanu użytkowego jest dział pomocy technicznej (oprócz ewentualnych procedur przywracania produktu do stanu użytkowego, o wykonanie których dział pomocy technicznej może poprosić klienta przez przekazanie pisemnych instrukcji — np. ze względu na prostotę i jawność procesu przywracania do stanu użytkowego — oraz, w razie potrzeby, przez udostępnienie klientowi wymaganych części zamiennych).

Ze względu na realizowane cykle innowacji oraz konieczność zapewnienia ochrony swojej specjalistycznej wiedzy i tajemnic handlowych firma Guillemot zasadniczo nie udostępnia powiadomień dotyczących przywracania do stanu użytkowego ani części zamiennych w przypadku produktów Thrustmaster, których okres gwarancji upłynął.

Odpowiedzialność

Jeśli zezwala na to obowiązujące prawo, firma Guillemot Corporation S.A. („Guillemot”) i jej podmioty zależne nie ponoszą żadnej odpowiedzialności za szkody spowodowane przez co najmniej jeden z następujących czynników: (1) modyfikację lub otwarcie produktu bądź wprowadzenie w nim zmian; (2) nieprzestrzeganie instrukcji montażu; (3) nieodpowiednie lub nadmierne użytkowanie, niedbałość, wypadek (na przykład uderzenie); (4) normalne zużycie; (5) używanie produktu w sposób inny niż użytk domowy, w tym do celów zawodowych lub komercyjnych (na przykład w salonach gier albo do prowadzenia szkoleń lub zawodów). Jeśli zezwala na to obowiązujące prawo, firma Guillemot i jej podmioty zależne nie ponoszą żadnej odpowiedzialności za szkody niezwiązane z wadą materiałową lub produkcyjną produktu (w tym między innymi za szkody spowodowane bezpośrednio lub pośrednio przez jakiegokolwiek oprogramowanie lub na skutek połączenia produktu Thrustmaster z nieodpowiednim elementem, w tym w szczególności z zasilaczem, akumulatorem, ładowarką lub jakimkolwiek innym elementem niedostarczonym przez firmę Guillemot dla tego produktu).

THRUSTMASTER®

WSPARCIE TECHNICZNE

<https://support.thrustmaster.com>



PRAWA AUTORSKIE

©2021 Guillemot Corporation S.A. Wszelkie prawa zastrzeżone. Thrustmaster® jest zastrzeżonym znakiem towarowym firmy Guillemot Corporation S.A. Produkt wytwarzany i dystrybuowany przez firmę Guillemot Corporation S.A. Wszystkie inne znaki towarowe i nazwy marek są za takie uznawane i stanowią własność odpowiednich podmiotów. Zawartość, wzór i dane techniczne mogą ulec zmianie bez powiadomienia i różnić się w zależności od kraju. Zdjęcia i ilustracje nie są wiążące prawnie. Zaprojektowano w Ameryce Północnej i Europie, wyprodukowano w Chinach

Do użytku wyłącznie z konsolami PlayStation®5 i konsolami PlayStation®4.

„PS”, „PlayStation”, „PS5” i „PS4” są zastrzeżonymi znakami towarowymi lub znakami towarowymi firmy Sony Interactive Entertainment Inc. Wszelkie prawa zastrzeżone. Wszystkie inne znaki towarowe stanowią własność odpowiednich podmiotów. Produkt wytwarzany i dystrybuowany na licencji firmy Sony Interactive Entertainment LLC.

Gran Turismo i logo Gran Turismo są zastrzeżonymi znakami towarowymi lub znakami towarowymi firmy Sony Interactive Entertainment Inc.

Technologia TouchSense® używana na licencji firmy Immersion Software Ireland Limited. Jest ona chroniona przez jeden lub kilka patentów USA wymienionych na stronie www.immersion.com/patent-marking.html oraz stanowi przedmiot złożonych wniosków patentowych.

ZALECENIE DOTYCZĄCE OCHRONY ŚRODOWISKA



* Na terenie Unii Europejskiej, Wielkiej Brytanii i Turcji: gdy okres przydatności produktu do eksploatacji dobiegnie końca, produktu nie należy pozbywać się wraz ze zwykłymi odpadami z gospodarstwa domowego, ale oddać do recyklingu w punkcie zbiórki zużytego sprzętu elektrycznego i elektronicznego. Potwierdza to symbol znajdujący się na produkcie, w instrukcji obsługi lub na opakowaniu.

Zależnie od swoich właściwości materiały zawarte w produkcie mogą nadawać się do recyklingu. Dzięki recyklingowi i innym formom utylizacji zużytych urządzeń elektrycznych i elektronicznych klient może w znacznym stopniu przyczynić się do ochrony środowiska. Aby uzyskać informacje o najbliższych punktach zbiórki odpadów, należy skontaktować z miejscowymi władzami.

We wszystkich innych krajach: należy przestrzegać miejscowych przepisów dotyczących recyklingu sprzętu elektrycznego i elektronicznego.

Niniejsze informacje należy zachować. Kolorystyka i elementy ozdobne mogą różnić się od przedstawionych.

Przed korzystaniem z produktu należy zdjąć z niego plastikowe elementy mocujące oraz naklejki.

www.thrustmaster.com

**Dotyczy wyłącznie UE, Wielkiej Brytanii i Turcji*



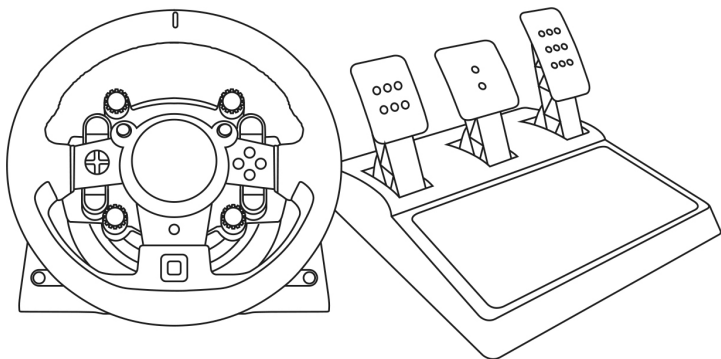
immersion.



T-GT II

För PlayStation®5-konsoler och PlayStation®4-konsoler

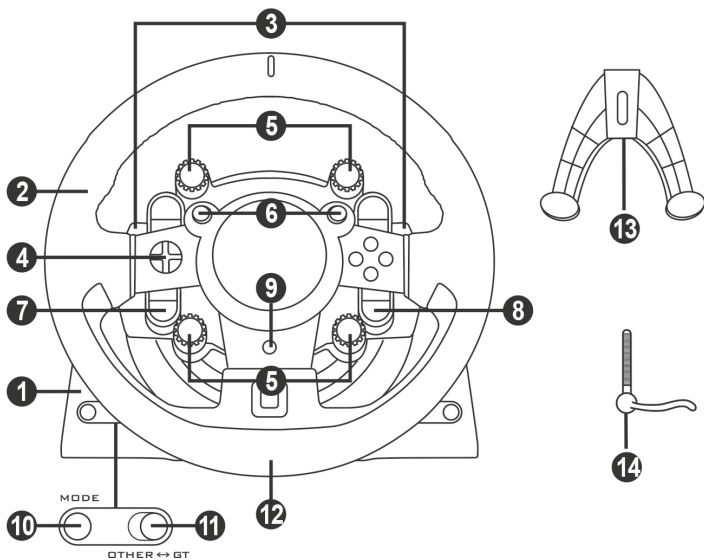
Bruksanvisning



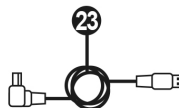
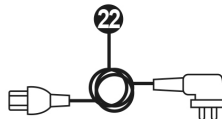
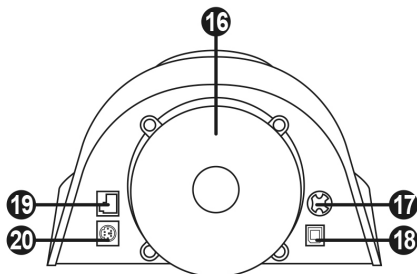
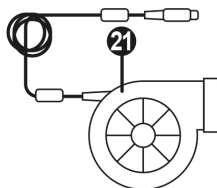
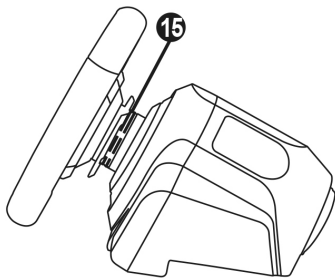
WARNING:

För att säkerställa att racingratten T-GT II fungerar som den ska i spel kan du behöva installera spelens automatiska uppdateringar (tillgängliga när din konsol är ansluten till Internet).

TEKNISKA DELAR



- | | | | |
|---|---|----|--|
| 1 | T-GT II-basen | 8 | OPTIONS-knapp |
| 2 | T-GT II-ratten | 9 | PS-knapp |
| 3 | Två sekventiella växelpaddlar (upp och ner) | 10 | MODE-knapp + röd/grön indikatorlampa |
| 4 | Riktningssknappar | 11 | Inbyggd USB-omkopplare: OTHER / GT |
| 5 | Fyra växlingsknappar med tryckfunktion | 12 | Stort gängat hål (för monteringsystem och fästskruv) |
| 6 | Två minispakar | 13 | Monteringsystem |
| 7 | SHARE/SKAPA-knapp | 14 | Fästskruv av metall |



- | | |
|---|---|
| 15 Thrustmasters snabbkopplingsystem | 20 Kontakt för växelspaken TH8A (växelspaken säljs separat) |
| 16 T-DFB-system (endast kompatibelt med PS5™-konsoler och PS4™-konsoler i GT-läget) | 21 T-TURBO-nättaggregat |
| 17 Kontakt för T-TURBO-nättaggregatet | 22 Strömkabel |
| 18 Kontakt för löstagbar USB-kabel | 23 Löstagbar USB-kabel |
| 19 Kontakt för pedalet | |

ANSLUTA RATTEN TILL ETT ELUTTAG: LÄS NOGGRANT!



Anslut aldrig T-TURBO-nättaggregatet till ett eluttag med annan spänning! T-TURBO-nättaggregatets spänning står på etiketten ovanför honkontakten för strömkabeln.



Anslut aldrig något annat nättaggregat än T-TURBO-nättaggregatet till T-GT II-basen, även om kontakten passar! Anslut till exempel aldrig T500 RS-rattens strömadapter till T-GT II-basen.

VARNING

Läs igenom denna bruksanvisning noggrant innan du använder denna produkt och spara den för framtida bruk.



Varning – Elektriska stötar

- * Förvara produkten på ett torrt ställe och utsätt den inte för damm eller solljus.
- * Vrid och dra inte i kontakter och kablar.
- * Spill inte vätskor på produkten eller dess kontakter.
- * Kortslut inte produkten.
- * Montera aldrig isär produkten, kasta inte in den i eld och utsätt den inte för höga temperaturer.
- * Använd ingen annan strömkabel än den som medföljer din racinggratt.
- * Använd inte strömkabeln om kabeln eller dess kontakter är skadade, delade eller söndriga.
- * Kontrollera att strömkabeln är ordentligt ansluten till ett eluttag och till kontakten på baksidan av racinggrattens bas.
- * Öppna inte racinggratten: det finns inga delar däri som får repareras av användaren. Eventuella reparationer måste utföras av tillverkaren, dess auktoriserade representant eller en behörig tekniker.
- * Använd endast monteringsystem/tillbehör som specificerats av tillverkaren.
- * Om racinggratten fungerar onormalt (om den låter/luktar konstigt eller blir varm) ska du genast sluta använda den, dra ut strömkabeln ur eluttaget och dra ut övriga kablar.
- * Om du inte tänker använda racinggratten under en längre period drar du ut strömkabeln ur eluttaget.
- * Eluttaget måste vara nära utrustningen och ska vara lättåtkomligt.

Information för 220V nätadapter

Publicerad information	Värde	Enhet
Tillverkarens namn eller varumärke, organisationsnummer och adress	GUILLEMOT CORPORATION S.A. 414 196 758 Rennes Place du Granier BP 97143 35571 Chantepie Cedex Frankrike	
Modell-ID	Turbo Power 220V	
Ingångsspänning	220 - 240	V
Växelströmsfrekvens (in)	50 / 60	Hz
Utgångsspänning	24,0	V AC
Utgångsström	4,0	A
Utgångseffekt	96,0	W
Genomsnittlig aktiv effektivitet	90,9	%
Effektivitet vid låg belastning (10 %)	86,8	%
Strömförbrukning vid ingen belastning	0,01	W



Ventilationshål

Se till att inga ventilationshål på racingrattens bas är blockerade. Gör följande för att få optimal ventilation:

- * Placera rattens bas på minst 10 cm avstånd från alla väggar.
- * Placera inte basen i trånga utrymmen.
- * Täck inte över basen.
- * Låt inte damm ansamlas i ventilationshålen.



**Av säkerhetsskäl ska du aldrig använda pedalsetet barfota eller om du bara har sockor på dig.
THRUSTMASTER® FRÅNSÄGER SIG ALLT ANSVAR I HÄNDELSE AV SKADOR ORSAKADE PÅ GRUND AV ATT PEDALSETET ANVÄNDS UTAN SKOR.**



Varning – Skador på grund av Force Feedback och upprepade rörelser

Att spela med en racingratt med Force Feedback kan leda till muskel- eller ledvärk. För att undvika problem:

- * Undvik långa spelsessioner.
- * Ta 10 till 15 minuters paus efter varje timme du spelat.
- * Om du känner smärta eller trötthet i händerna, handlederna, armarna, fötterna eller benen ska du sluta spela och vila i några timmar innan du börjar spela igen.
- * Om symtomen eller smärtorna består när du fortsätter spela ska du sluta spela och kontakta din läkare.
- * Förvaras utom räckhåll för barn.
- * Ha alltid båda händerna i rätt position på ratten och släpp aldrig taget helt när du spelar.
- * Ha aldrig händerna eller fingrarna under pedalerna eller i närheten av pedalsetet när du eller någon annan spelar.
- * Stoppa aldrig in handen eller armen i racingrattens öppningar när du eller någon annan kalibrerar eller spelar.
- * Kontrollera att racingrattens bas är ordentligt monterad enligt instruktionerna i denna bruksanvisning.

TUNG PRODUKT



Produkten får endast hanteras av personer över 16 år



Var försiktig så att du inte tappar produkten på dig själv eller någon annan!

ALLTID



ALDRIG



ALDRIG



Varning – Klämrisk när man spelar med pedalsetet

- * Förvara pedalsetet utom räckhåll för barn.
- * Ha aldrig fingrarna på eller i närheten av pedalernas sidor när du eller någon annan spelar.
- * Ha aldrig fingrarna på eller i närheten av den bakre basen av pedalerna när du eller någon annan spelar.
- * Ha aldrig fingrarna på eller i närheten av den främre basen av pedalerna när du eller någon annan spelar.

ALDRIG



ALDRIG



ALDRIG



Varning – Klämrisk när man inte spelar med pedalsetet

- * Förvara pedalsetet på ett säkert ställe och utom räckhåll för barn.

UPPDATERA RACINGRATTENS FIRMWARE

Firmwaren som finns i racingrattens bas från början kan uppdateras till en nyare version som förbättrar produkten.

För att se vilken firmwareversion din racingratt använder och uppdatera den vid behov: på PC går du till <https://support.thrustmaster.com>. Klicka på **Racingrattar/T-GT II**, välj sedan **Firmware** och följ instruktionerna som beskriver hur man laddar ner och installerar.

Viktig information:

På PC ska USB-omkopplaren (11) på racingrattens bas alltid vara i "OTHER"-läget.

INSTALLERA RATTEN PÅ DESS BAS

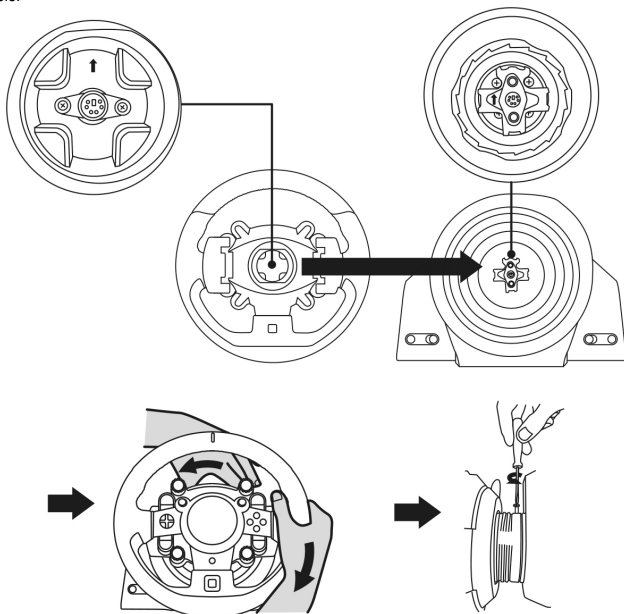
Rikta in kontakterna med hjälp av pilarna:

Baskontakt (1): Pilen ska peka uppåt

Racingrattkontakt (2): Pilen ska peka uppåt

När kontakterna är rätt placerade vrider du bara ringen på Thrustmasters snabbkopplingsenhet (15) motsols samtidigt som du håller racingratten (2) på plats.

Dra sedan åt ringen så mycket du kan: för att göra det håller du ringen på plats och vrider racingratten medsols.



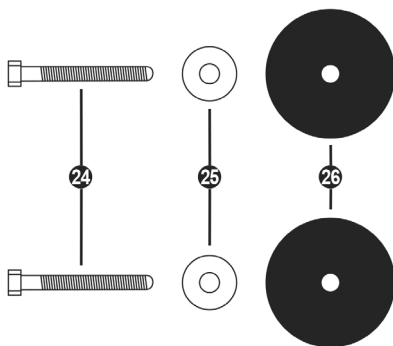
När du har installerat ratten vrider du den 180° (när du är vänd mot ratten ska GT-loggan vara upp och ner) för att komma åt den lilla fästskruven som sitter på ringen på Thrustmasters snabbkopplingsenhet (15). Använd en stor stjärnskruvmejsel för att dra åt den lilla fästskruven (var inte för hårdhänt) genom att skruva den medsols.



**Var INTE för hårdhänt när du använder en stjärnskruvmejsel för att dra åt den lilla fästskruven!
Sluta skruva så fort du känner av lite motstånd.**

MONTERA RACINGRATTEN

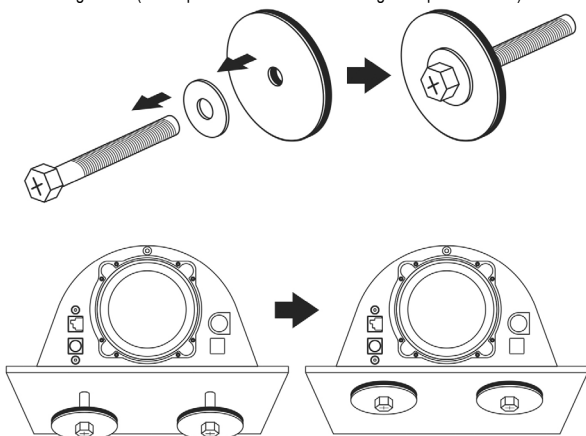
Montera racingrattens bas i en cockpit



24 Två M6-skruvor med sexkantigt huvud

25 Två brickor

26 Två monteringskivor (metall på ena sidan och texturerat gummi på den andra)



1. Sätt brickorna (25) på metallsidan av monteringskivorna (26) och för in M6-skruvorna med sexkantigt huvud (24).

2. Placera racingrattens bas på cockpithyllan.

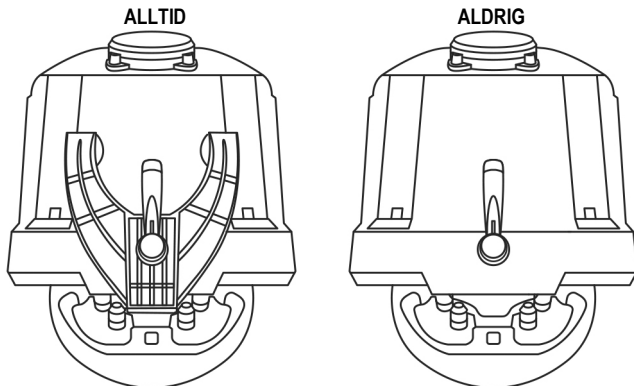
3. Använd en 10 mm skiftnyckel eller en stjärnskruvmejsel för att skruva fast cockpitmoteringskitet i cockpithyllan och i de två små skruvgångorna på undersidan av rattens.

OBS:

- Ta inte bort skumdynorna som sitter på undersidan av racingrattens bas! Skumdynorna förstärker T-DFB-systemets effekter när ratten är ansluten.
- Den texturerade gummisidan av monteringskivorna (26) måste absolut vara vänd mot cockpithyllan = metallsidan ska aldrig vara vänd mot cockpithyllan.

Montera racingratten på ett bord eller skrivbord

1. Placera racingratten på ett bord eller annan horisontell, plan och stabil yta.
2. Sätt i fästsruven (14) i monteringsssystemet (13) och gör fast enheten genom att skruva skruven motsols så att den förs in i det stora gängade hålet (12) under racingratten tills ratten är helt stabil.

**WARNING:**

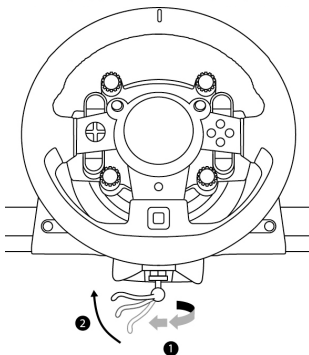
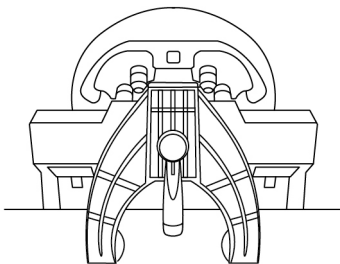
- Dra aldrig åt enbart skruven för sig själv utan att monteringsystemet är på plats (detta kan skada racingratten).
- Ta inte bort skumdynorna som sitter på undersidan av racingrattens bas! Skumdynorna förstärker T-DFB-systemets effekter när ratten är ansluten.

**MONTERING /
BORTTAGNING**

RIKTNING

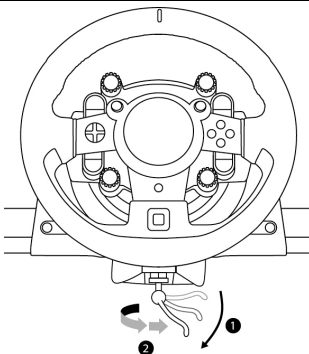
För att dra åt:

**Skruva skruven
motsols**



För att lossa:

**Skruva skruven
medsols**



KONFIGURERA RACINGRATTEN FÖR PS5™-KONSOLER OCH PS4™-KONSOLER

1. Anslut pedalet till dess kontakt (19) på baksidan av racingrattens bas.
2. Anslut T-Turbo-nättaggregatet (21) till dess kontakt (17).
3. Anslut strömkabeln (22) till T-Turbo-nättaggregatet och anslut kabeln till ett eluttag med samma spänning.
4. Ställ in USB-omkopplaren (11) på "OTHER" eller "GT" beroende på vilket PS5™-spel eller PS4™-spel du spelar.
5. Anslut den löstagbara USB-kabeln (23) till dess kontakt (18) och till någon av USB-portarna på PS5™-konsolen eller PS4™-konsolen.
6. När din PS5™-konsol eller PS4™-konsol slås på kalibrerar racingratten sig.
7. Tryck på PS-knappen (9) på racingratten och logga in på ditt PlayStation™Network-konto för att ratten ska fungera.
Nu är du redo att spela!

Viktig information:

- Glöm inte att trycka på PS-knappen (9) på racingratten för att ratten ska fungera.
- USB-omkopplaren (11) på rattens bas ska alltid vara i rätt läge ("OTHER" eller "GT") innan du ansluter racingrattens USB-kabel till din konsol.
För att ändra omkopplarens läge: dra ut USB-kabeln och sätt omkopplaren i rätt läge. Anslut sedan USB-kabeln till konsolen igen.
- Listan med PlayStation®5-spel och PlayStation®4-spel som är kompatibla med T-GT II (samt vilket läge USB-omkopplaren (11) ska vara i enligt spelet du spelar) finns här: <https://support.thrustmaster.com> (under Racingrattar/T-GT II). Denna lista uppdateras regelbundet.

USB-OMKOPPLAREN (11) I "OTHER"-LÄGET FÖR PS5™-SPEL OCH PS4™-SPEL UTÖVER GT SPORT

När USB-omkopplaren (11) är i "OTHER"-läget:

* fungerar Force Feedback-systemet, men inte T-DFB-systemet (16).

USB-OMKOPPLAREN (11) I "GT"-LÄGET FÖR SPELET GT SPORT (OCH ANDRA FRAMTIDA GT-SPEL)

När USB-omkopplaren (11) är i "GT"-läget:

* fungerar både Force Feedback-systemet och T-DFB-systemet (16) samtidigt. Nivån på effekterna för varje system kan justeras oberoende av varandra under Options (Alternativ) i spelet GT Sport.

KONFIGURERA RACINGRATTEN FÖR PC*

*PC-kompatibiliteten stöds inte av Sony Interactive Entertainment Europe eller Sony Interactive Entertainment LLC.

Mer information finns på <https://support.thrustmaster.com>.

AUTOMATISK KALIBRERING AV RACINGRATTEN OCH PEDALSETET

Ratten kalibrerar sig automatiskt när du ansluter racingratten till ett eluttag och kopplar in racingrattens USB-kontakt i konsolen.

När detta sker snurrar racingratten snabbt åt vänster och höger över 1080 grader innan den stannar i mitten.



WARNING:

Rör aldrig racingratten när den kalibrerar sig!

(Detta kan resultera i felaktig kalibrering och/eller personskada.)

AUTOMATISK KALIBRERING AV PEDALSETET

Anslut aldrig pedalsetet till racingrattens bas (och koppla inte ur det från basen) när det är anslutet till konsolen eller när du spelar (detta kan resultera i felaktig kalibrering).

Anslut alltid pedalsetet innan du ansluter racingratten till konsolen.

När racingrattens kalibrering är klar och spelet har startats kalibreras pedalerna automatiskt efter några tryck.



WARNING:

Tryck aldrig på pedalerna när racingratten kalibrerar sig eller när ett spel laddas!

(Detta kan resultera i felaktig kalibrering.)

Om din racingratt och/eller ditt pedalset inte fungerar som de ska eller verkar vara felkalibrerade:
Stäng av din konsol och koppla ur racingratten helt och hållet. Anslut sedan alla kablar igen (inklusive strömkabeln och pedalsetet) och starta om konsolen och spelet.

INTERNT KYLSYSTEM FÖR RATTENS BAS

Det interna kylsystemet för rattens bas

- sätter igång när ratten slås på.
- stänger av sig efter några minuters inaktivitet när den inre temperaturen sjunkit till en låg nivå.
- slår på sig igen när du använder ratten.

MODE-KNAPPEN OCH INDIKATORLAMPAN (10)

MODE-knapp för pedaletet

Du kan elektroniskt byta plats på gas- och kopplingspedalerna.

För att göra det håller du in MODE-knappen (10) i två sekunder.

Racingrattens interna minne kommer ihåg om pedalerna har bytt plats eller inte.

GAS- OCH KOPPLINGSPEDALERNA	Färg på MODE-indikatorlampan (10)
NORMALA	RÖD
BYTT PLATS	GRÖN

Övrig information om MODE-knappen

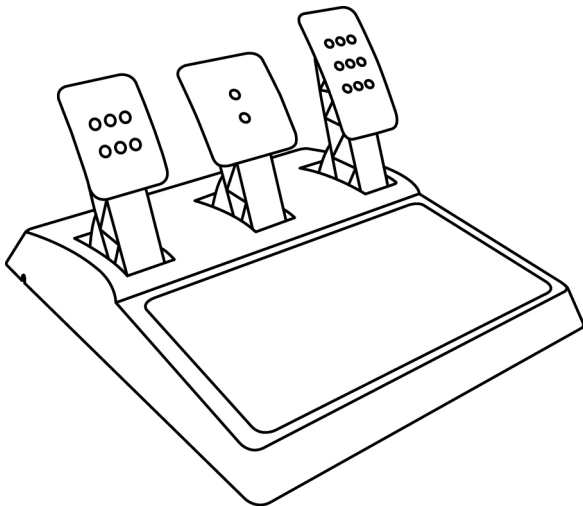
Mer information om MODE-knappen och indikatorlampan finns på <https://support.thrustmaster.com>.

Klicka på **Racingrattar/T-GT II**, och välj sedan **Bruksanvisning** eller **FAQ**.

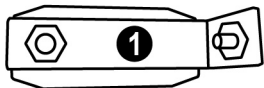
HJÄLPFILER OCH VANLIGA FRÅGOR

Gå till <https://support.thrustmaster.com>. Klicka på **Racingrattar/T-GT II**, och välj sedan **Bruksanvisning** eller **FAQ**.

T-GT II EDITION PEDALSET

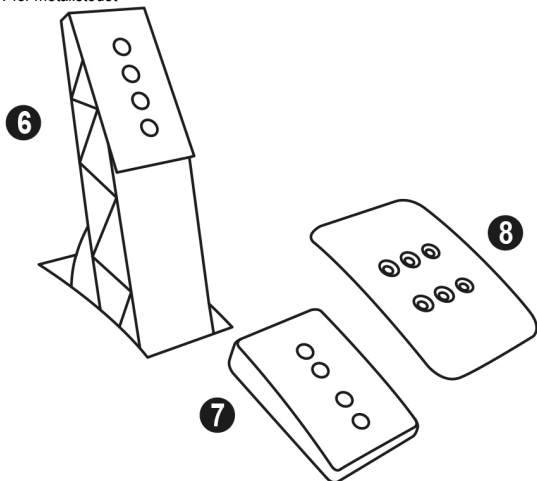


TEKNISKA DELAR



- 1 Metallstöd för det koniska stoppet
(ej installerat som standard)
- 2 Koniskt stopp
- 3 Fästskruv för metallstödet

- 4 2,5 mm insexnyckel (ingår)
- 5 Positionsjusteringsmutter för det koniska stoppet



- 6 Pedalarm av metall
- 7 Huvudstöd av plast

- 8 Pedalhuvud av metall

VARNING

Läs dessa instruktioner noggrant innan du använder denna produkt och spara dem för framtida bruk.



Av säkerhetsskäl ska du aldrig använda pedalet utan barfota eller om du bara har sockor på dig.

THRUSTMASTER® FRÅNSÄGER SIG ALLT ANSVAR I HÄNDELSE AV SKADOR ORSAKADE AV ATT PEDALSETET ANVÄNDS UTAN SKOR.



Varning – Klämrisk när pedalet används under spelsessioner

- * Förvara pedalet utom räckhåll för barn.
- * Ha aldrig fingrarna eller tummarna på eller nära pedalernas sidor under en spelsession.
- * Ha aldrig fingrarna eller tummarna på eller nära den bakre basen av pedalerna under en spelsession.
- * Ha aldrig fingrarna eller tummarna på eller nära den främre basen av pedalerna under en spelsession.

ALDRIG



ALDRIG



ALDRIG



AUTOMATISK KALIBRERING AV PEDALERNA



VIKTIGT:

- För att undvika kalibreringsproblem ska du aldrig ansluta eller koppla ifrån pedalet från rattens bas under spelsessioner eller när ratten är ansluten till en PS5™-konsol, PS4™-konsol eller en PC.
- Anslut alltid pedalet till ratten innan du ansluter ratten till en PS5™-konsol, PS4™-konsol eller en PC.
- När ratten har kalibrerat sig och spelet har startat kalibrerar pedalerna sig automatiskt efter att ha blivit nedtryckta några gånger.
- För att undvika kalibreringsproblem ska du aldrig trycka på pedalerna när ratten kalibrerar sig eller när ditt spel startar.
- Om pedalerna inte fungerar som de ska eller verkar vara felkalibrerade ska du stänga av systemet, koppla ur racingratten helt och hållet, och sedan ansluta alla kablar igen (inklusive strömkabeln och pedaletskabeln), slå på systemet igen och starta om spelet.

MONTERA PEDALSETET PÅ EN COCKPIT

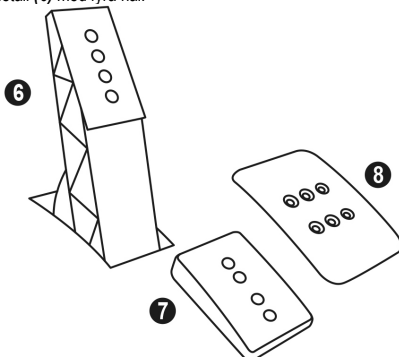
- Montera pedalet med hjälp av de små skruvängorna på undersidan av pedalet.
- Skruva i två M6-skrivar (ingår ej) i cockpitens pedalstödsplatta och i de två små skruvängorna på undersidan av pedalet.

Viktigt: För att undvika att skada pedaletets interna komponenter får längden på de två M6-skrivarna inte överstiga tjockleken på cockpitens pedalstödsplatta plus ytterligare 10 mm.

JUSTERA PEDALSETET

Var och en av de tre pedalerna innehåller:

- ett metallhuvud (8) med flera hål (nio för gasen – två för bromsen – sex för kopplingen).
- ett huvudstöd av plast (7) (placerat mellan huvudet och armen) med fyra hål.
- en pedalarm av metall (6) med fyra hål.

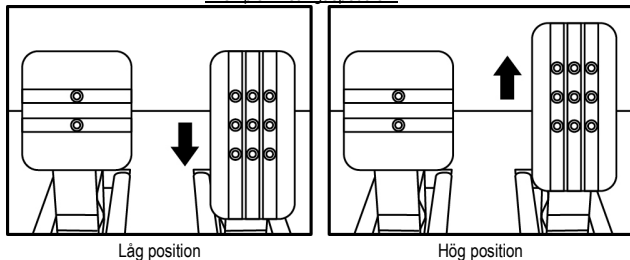


OBS: För att undvika kalibreringsproblem ska du alltid dra ut rattens USB-kabel ur PS5™-konsolen eller PS4™-konsolen innan du gör några justeringar av ditt pedalset.

Justera HÖJDEN på de tre pedalerna

- Använd den medföljande 2,5 mm insexnyckeln (4) och skruva loss de två skruvarna som håller metallhuvudet (8) och dess stöd (7) på plats.
- Välj önskad höjd och skruva sedan i och dra åt skruvarna igen så att metallhuvudet (8) och dess stöd (7) sitter fast ordentligt.

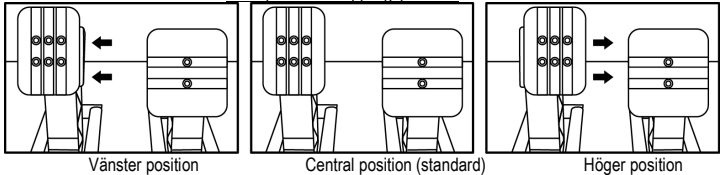
Exemplen visar gaspedalen:



Justera MELLANRUMMET mellan gaspedalen och kopplingspedalen

- Använd den medföljande 2,5 mm insexnyckeln (4) och skruva loss de två skruvarna som håller metallhuvudet (8) och dess stöd (7) på plats.
- Välj önskad position (till vänster, centralt eller till höger) och skruva sedan i och dra åt skruvarna igen så att metallhuvudet (8) och dess stöd (7) sitter fast ordentligt.

Exemplen visar kopplingspedalen:



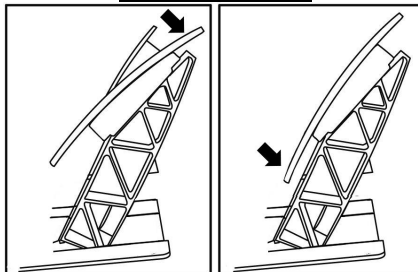
Antal möjliga mellanrumslägen per pedal:

- Tre för gaspedalen
- Tre för kopplingspedalen

Justera LUTNINGEN på de tre pedalerna

- Använd den medföljande 2,5 mm insexnyckeln (4) och skruva loss de två skruvarna som håller metallhuvudet (8) och dess stöd (7) på plats.
- Vrid huvudstödet av plast (7) 180° och skruva sedan i och dra åt skruvarna igen så att metallhuvudet (8) och dess stöd (7) sitter fast ordentligt.

Exemplen visar gaspedalen:



Mindre lutad position Mer lutad position (standard)

Antal möjliga lutningslägen per pedal:

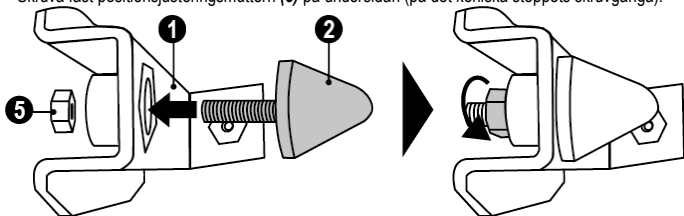
- Två för gaspedalen
- Två för bromspedalen
- Två för kopplingspedalen

Installera det koniska stoppet ("KONISKA GUMMIBROMSMODDEN")

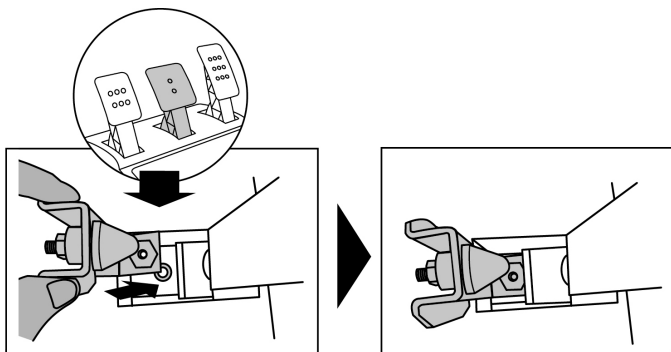
Denna modifikation (eller "mod") är inte nödvändig och är ej installerad som standard. Detta innebär att bromspedalen fungerar perfekt även om modden inte är installerad.

Med denna mod kan du få en annan känsla och ett annat motstånd när du bromsar. Det är upp till dig om du vill installera den eller inte, beroende på vad du föredrar.

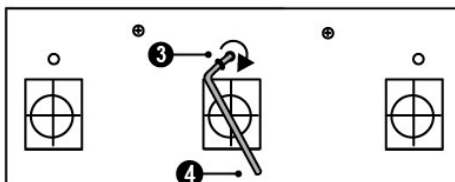
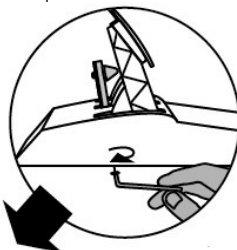
- Skruva fast det koniska stoppet (2) på dess metallstöd (1).
- Skruva fast positionsjusteringsmuttern (5) på undersidan (på det koniska stoppets skruvgänga).



- Placera enheten på baksidan av bromspedalens arm.



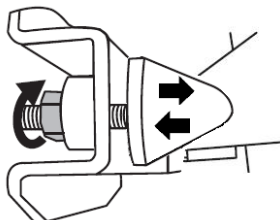
- Använd den medföljande 2,5 mm insexnyckeln (4) och montera enheten med hjälp av fästskraven (3) och den lilla centrala skruvgången på undersidan av pedalsetet.



Den "KONISKA GUMMIBROMSMODDEN" är nu installerad!

Justera bromspedalens RÖRELSEOMRÅDE och MOTSTÅND

Om du lossar lite på muttern (5) kan du stärka bromspedalens motstånd ytterligare genom att flytta det koniska stoppet (2) närmare baksidan av pedalens arm (om det behövs kan du använda en 14 mm skruvnyckel eller tång för att skruva åt muttern igen och behålla den valda positionen). Ju närmre baksidan av pedalens arm det koniska stoppet är placerat, desto större blir motståndet.



Obs: När det koniska stoppet är väldigt nära baksidan av bromspedalens arm kan du få svårt att nå det maximala kalibreringsvärdet. I sådana fall ska du:

- * långsamt trycka mycket hårt på bromspedalen för att nå maxvärdet (vid behov kan du stå väldigt kort tid på pedalen – bara i en sekund) och sedan släppa på trycket; eller
- * flytta det koniska stoppet lite längre bort från baksidan av bromspedalens arm.

GARANTIINFORMATION

Guillemot Corporation S.A., med säte i Place du Granier, B.P. 97143, 35571 Chantepie, Frankrike (hädanefter "Guillemot") garanterar globalt för konsumenten att denna Thrustmaster-produkt ska vara fri från defekter i material och utförande, under en garantiperiod som motsvarar tidsgränsen för att vidta åtgärder mot Guillemot om konsumenten anser att produkten inte är fri från defekter i material och utförande. I länderna i Europeiska unionen motsvarar detta en period på två (2) år från leveransen av Thrustmaster-produkten. I andra länder motsvarar garantiperioden tidsgränsen för att vidta åtgärder mot Guillemot om konsumenten anser att Thrustmaster-produkten inte är fri från defekter i material och utförande enligt de lagar som gäller i landet där konsumenten var bosatt vid inköpsdatumet för Thrustmaster-produkten (om ingen sådan åtgärd existerar i det motsvarande landet ska garantiperioden vara ett (1) år från ursprungligt inköpsdatum av Thrustmaster-produkten).

Trots ovanstående omfattas laddningsbara batterier av en garantiperiod på sex (6) månader från ursprungligt inköpsdatum.

Om produkten skulle visa sig vara defekt under garantiperioden ska du genast kontakta tekniska supporten som då informerar om hur du går vidare. Om defekten bekräftas måste produkten returneras till inköpsstället (eller annat ställe angivet av tekniska supporten).

Inom ramen för denna garanti ska konsumentens defekta produkt, efter tekniska supportens gottfinnande, antingen ersättas eller repareras så att den fungerar. Om Thrustmaster-produkten under garantiperioden är föremål för sådan renovering, ska alla perioder på minst sju (7) dagar under vilka produkten inte kan användas läggas till återstående garantiperiod (denna period löper från det datum då konsumenten bad om service eller från det datum då produkten ifråga gjorts tillgänglig för reparation, om datumet då produkten gjorts tillgänglig för reparation ligger efter datumet då konsumenten bad om service). Om det är tillåtet enligt gällande lag är Guillemot och dess dotterbolags fulla ansvar (inklusive följdskador) begränsat till att reparera eller ersätta Thrustmaster-produkten. Om det är tillåtet enligt gällande lag fransägar sig Guillemot alla garantier för säljbarhet eller lämplighet för ett visst syfte.

Garantin gäller inte: (1) om produkten har modifierats, öppnats, ändrats eller skadats till följd av olämplig användning eller missbruk, försumlighet, olycka, normalt slitage eller annan orsak som inte är relaterad till material- eller tillverkningsfel (inklusive, men inte begränsat till, att kombinera Thrustmaster-produkten med någon olämplig del, i synnerhet nätaggregat, laddningsbara batterier, laddare, eller andra delar som Guillemot inte tillhandahåller för denna produkt); (2) om produkten har använts för annan användning än hemanvändning, inklusive för professionella eller kommersiella ändamål (t.ex. spelrum, träning, tävlingar); (3) om instruktionerna från teknisk support inte följs; (4) programvara, då programvaran har en egen garanti; (5) förbrukningsvaror (delar som byts ut under produktens livslängd: t.ex. engångsbatterier eller öronkuddar till headset eller hörlurar); (6) tillbehör (t.ex. kablar, fodral, påsar, väskor, handelsremmar); (7) om produkten såldes på e offentlig auktion.

Denna garanti är inte överlåtbar.

Konsumentens juridiska rättigheter med avseende på lagar som gäller för försäljning av konsumentvaror i hens land påverkas inte av denna garanti.

Ytterligare garantibestämmelser

Under garantiperioden ska Guillemot i princip inte tillhandahålla några reservdelar eftersom teknisk support är den enda part med behörighet att öppna och/eller renovera Thrustmasters produkter (med undantag för renoveringar som teknisk support ber konsumenten att utföra med hjälp av skriftliga instruktioner – till exempel om renoveringen är enkel och ej konfidentiell – och genom att i gällande fall förse konsumenten med de reservdelar som behövs).

Med tanke på dess innovationscykler och för att skydda dess kunskaper och affärshemligheter, ska Guillemot i princip inte tillhandahålla några renoveringsinstruktioner eller reservdelar för någon Thrustmaster-produkt vars garantiperiod har löpt ut.

Ansvar

Om det är tillåtet enligt gällande lag fransäger sig Guillemot Corporation S.A. (hädanefter "Guillemot") och dess dotterbolag allt ansvar för eventuella skador orsakade av följande: (1) produkten har modifierats, öppnats eller ändrats; (2) underlåtenhet att följa monteringsanvisningarna; (3) olämplig användning eller missbruk, försumlighet, en olycka (t.ex. att produkten tappas); (4) normalt slitage; (5) produkten har använts för annan användning än hemanvändning, inklusive för professionella eller kommersiella ändamål (t.ex. spelrum, träning, tävlingar). Om det är tillåtet enligt gällande lag fransäger sig Guillemot och dess dotterbolag allt ansvar för eventuella skador som inte är relaterade till material- eller tillverkningsfel när det gäller produkten (inklusive, men inte begränsat till, skador som direkt eller indirekt orsakats av någon programvara eller genom att kombinera Thrustmaster-produkten med någon olämplig del, i synnerhet nätaggregat, laddningsbara batterier, laddare, eller andra delar som Guillemot inte tillhandahåller för denna produkt).

THRUSTMASTER®

TEKNISK SUPPORT

<https://support.thrustmaster.com>



UPPHOVSRÄTTSSKYDD

©2021 Guillemot Corporation S.A. Med ensamrätt. Thrustmaster® är ett registrerat varumärke som tillhör Guillemot Corporation S.A. Tillverkas och distribueras av Guillemot Corporation S.A. Alla andra varumärken erkänns härmed och tillhör sina respektive ägare. Innehåll, konstruktioner och specifikationer kan ändras utan föregående meddelande och kan variera från land till land. Foton och illustrationer är inte bindande. Designad i Nordamerika och Europa. Tillverkad i Kina.

Endast avsedd för användning med PlayStation®5-konsoler och PlayStation®4-konsoler.

"PS", "PlayStation", "PS5" och "PS4" är registrerade varumärken eller varumärken som tillhör Sony Interactive Entertainment Inc. Med ensamrätt. Alla andra varumärken tillhör sina respektive ägare. Tillverkas och distribueras under licens från Sony Interactive Entertainment LLC.

Gran Turismo och Gran Turismo-logotypen är registrerade varumärken eller varumärken som tillhör Sony Interactive Entertainment Inc.

TouchSense®-tekniken är licensierad från Immersion Software Ireland Limited. Skyddas av ett eller flera av de amerikanska patent som finns på följande adress: www.immersion.com/patent-marking.html, och andra patent som sökts.

MILJÖSKYDD



* I Europeiska unionen, Storbritannien och Turkiet: När produkten har slutat fungera ska den inte slängas i vanligt hushållsavfall, utan kasseras vid en uppsamlingsplats för bortskaffandet av elektriskt och elektroniskt avfall (WEEE) för återvinning.

Detta bekräftas av symbolen på produkten, bruksanvisningen eller förpackningen.

Beroende på dess egenskaper kan materialet kanske återvinnas. Genom återvinning och andra sätt att hantera elektriskt och elektroniskt avfall kan du göra ett viktigt bidrag till att hjälpa till att skydda miljön.

Kontakta dina lokala myndigheter för information om uppsamlingsplatsen som är närmast dig.

För alla andra länder: Följ lokala återvinningslagar för elektriskt och elektroniskt avfall.

Behåll denna information. Färger och dekorationer kan variera.

Plastfästen och lim/kliester/tejp bör avlägsnas från produkten innan den används.

www.thrustmaster.com

**Gäller endast EU, Storbritannien och Turkiet*



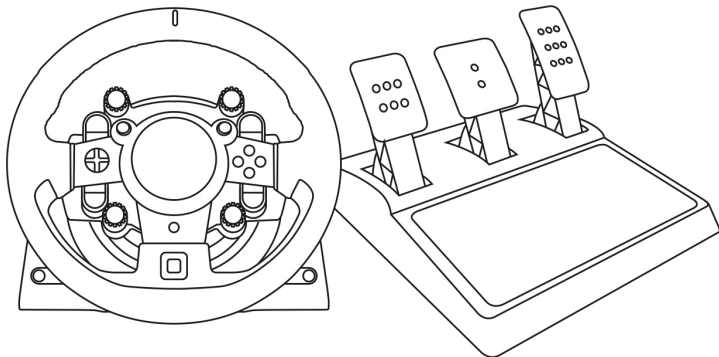
immersion.



T-GT II

PlayStation®5-konsolille ja PlayStation®4-konsolille

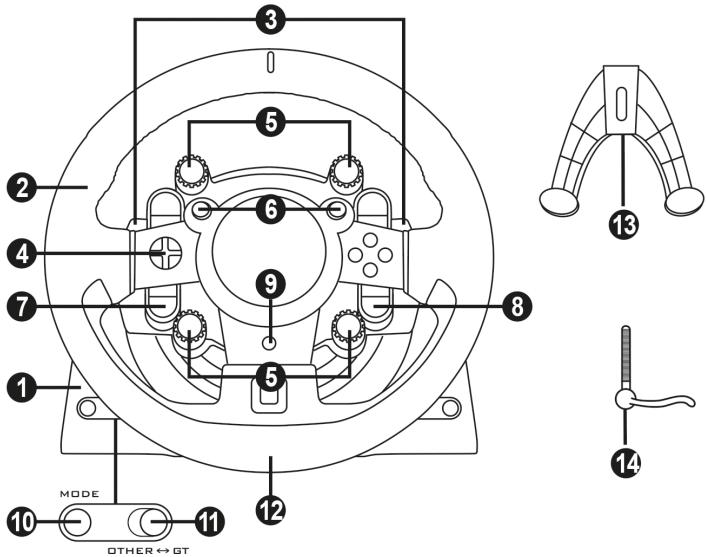
Käyttöohje



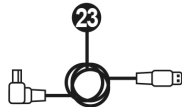
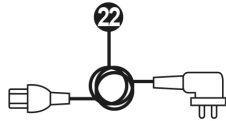
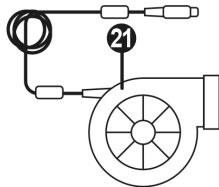
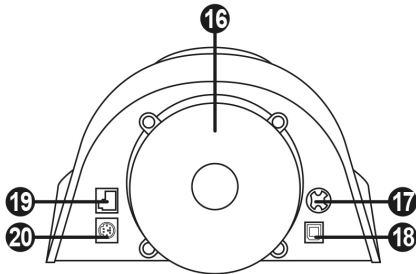
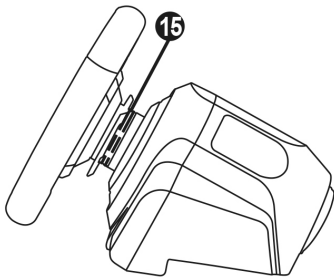
VAROITUS:

Varmistaaksesi, että T-GT II -ratti toimii oikein pelien kanssa, joudut ehkä asentamaan pelin automaattisia päivityksiä (saatavilla konsolin yhdistettyä internettiin).

TEKNISET OMINAISUUDET



- | | | | |
|---|---|----|--|
| 1 | T-GT II -jalusta | 8 | OPTIONS-näppäin |
| 2 | T-GT II -ratti | 9 | PS-näppäin |
| 3 | Kaksi vaihdevipua (ylös ja alas) | 10 | MODE-painike + punainen/vihreä ilmaisinvalo |
| 4 | Suuntanäppäimet | 11 | Sisäänrakennettu USB-liukukytin: OTHER / GT |
| 5 | Neljä pyöritettävää valitsinta Push-toiminnolla | 12 | Suuri reikä kierteillä (kiinnitysjärjestelmää ja -ruuvia varten) |
| 6 | Kaksi minisauvaa | 13 | Kiinnitysjärjestelmä |
| 7 | SHARE-/CREATE-näppäin | 14 | Metallinen kiinnitsruuvi |



- | | |
|--|--|
| 15 Thrustmaster Quick Release | 20 Liitin TH8A-vaihekepillle (vaihekeppi myydään erikseen) |
| 16 T-DFB-tehostejärjestelmä (yhteensopiva PS5™-konsolin ja PS4™-konsolin kanssa vain GT-tilassa) | 21 T-TURBO-virtalähde |
| 17 Liitin T-TURBO-virtalähteelle | 22 Virtalähteen johto |
| 18 Liitin irrottavalle USB-kaapelille | 23 Irrotettava USB-kaapeli |
| 19 Liitin poljinsetille | |

RATIN YHDISTÄMINEN SÄHKÖPISTOKKEeseen: LUE HUOLELLA!



Älä ikinä yhdistä T-TURBO-virtalähdettä sähköpistokkeeseen, jonka jännite ei vastaa tuotetta! T-TURBO-virtalähteen jännite on ilmoitettu tarrassa, joka löytyy virtajohtolle tarkoitetun naarasliittimen yläpuolelta.



Älä ikinä yhdistä T-GT II -jalustaan muuta virtalähdettä kuin T-TURBO-virtalähde, vaikka liitin olisi yhteensopiva! Esimerkiksi, älä ikinä yhdistä T500 RS -ratin virtalähdettä T-GT II -jalustaan.

VAROITUS

Lue tämä käyttöohje huolella ja talleta se myöhempää käyttöä varten, ennen kuin käytät tuotetta.



Varoitus – sähköiskun vaara

- * Pidä tuote kuivassa paikassa, älä altista sitä pölylle tai auringonvalolle.
- * Älä väännä tai vedä liittimiä tai kaapeleita.
- * Älä kaada nestettä tuotteen tai sen liittinten päälle.
- * Älä aiheuta tuotteelle oikosulkua.
- * Älä pura tuotetta; älä heitä tuotetta tuleen tai altista sitä korkeille lämpötiloille.
- * Älä käytä muuta virtajohtoa kuin rattiohjaimen mukana tullutta.
- * Älä käytä virtajohtoa, mikäli johto tai sen liitin on vioittunut, haljennut tai hajonnut.
- * Varmista, että virtajohto on liitetty kunnolla sähköpistokkeeseen sekä rattiohjaimen jalustan takana olevan liittimeen.
- * Älä avaa rattiohjainta: sisällä on osia, jotka eivät ole käyttäjien huollettavissa. Kaikista huolloista vastaa valmistaja, sen virallinen edustaja tai pätevä asentaja.
- * Käytä ainoastaan valmistajan määrittämiä kiinnitysjärjestelmiä/lisäosia.
- * Jos rattiohjain toimii epänormaalisti (jos sen äänet, lämpö tai tuoksut eivät vaikuta normaaleilta), lopeta käyttö välittömästi, irrota virtajohto sähköpistokkeesta ja irrota muut kaapelit.
- * Jos et käytä rattiohjainta pitempänä ajanjaksona, irrota sen virtajohto sähköpistokkeesta.
- * Sähköpistokkeen on oltava laitteiden lähellä ja helposti saatavilla.

220 V virtalähteen tiedot

Julkaistut tiedot	Arvo	Yksikkö
Valmistajan nimi tai tavaramerkki, kaupparekisterinumero ja osoite	GUILLEMOT CORPORATION S.A. 414 196 758 Rennes Place du Granier BP 97143 35571 Chantepie Cedex France	
Mallin tunniste	Turbo Power 220V	
Syöttöjännite	220-240	V
Vaihtosähkön syöttötaajuus	50/60	Hz
Lähtöjännite	24,0	V AC
Lähtövirta	4,0	A
Lähtäteho	96,0	W
Keskimääräinen hyötysuhde	90,9	%
Hyötysuhde alhaisella kuormituksella (10 %)	86,8	%
Kuormittamattoman tilan energiankulutus	0,01	W



Tuuletusaukot

Varmista, ettet tuki rattiohjaimen jalustassa olevia tuuletusaukkoja. Varmista optimaalinen tuuletus seuraavasti:

- * Sijoita ratin jalusta siten, että se on ainakin 10 cm päässä seinästä.
- * Älä aseta jalustaa ahtaisiin tiloihin.
- * Älä peitä jalustaa.
- * Älä anna pölyn kertyä tuuletusaukkoihin.



Älä turvallisuussyistä johtuen käytä poljinsettiä ikinä paljain jaloin tai pelkät sukat jalassa.

THRUSTMASTER® KIELTÄÄ KAIKEN VASTUUN, MIKÄLI LOUKKAANTUMINEN JOHTUU POLJINSETIN KÄYTÖSTÄ ILMAN KENKIÄ.



Varoitus – ohjauspalautteen ja toistuvan liikkeen aiheuttamat vammat

Rattiohjaimen ohjauspalautteen käyttäminen voi johtaa lihas- tai nivelkipuihin. Välttääksesi mahdolliset ongelmat:

- * Vältä pitkiä peli-istuntoja.
- * Vietä 10–15 minuutin tauko jokaisen pelitunnin jälkeen.
- * Mikäli tunnet väsymystä tai kipua käsissäsi, ranteissasi, säärissäsi tai jaloissasi, lopeta pelaaminen ja lepää muutaman tunnin ajan, ennen kun aloitat uudelleen.
- * Mikäli oireet tai kivut jatkuvat aloittaessasi pelin uudelleen, lopeta pelaaminen ja kysy neuvoa lääkäreiltä.
- * Pidä lasten ulottumattomissa.
- * Pidä pelin aikana molemmat kädet oikeassa kohdassa rattia päästämättä kokonaan irti.
- * Älä aseta pelin aikana koskaan käsiäsi tai sormiasi polkimien alle tai poljinsetin lähelle.
- * Älä koskaan aseta kalibroinnin ja pelin aikana käsiäsi tai käsivarsiasi rattiohjaimen reikiin läpi.
- * Varmista, että rattiohjaimen jalusta on kiinnitetty kunnolla tässä käyttöohjeessa esitetyllä tavalla.

RASKAS TUOTE

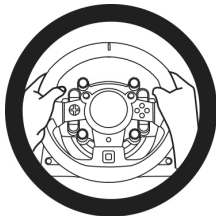


Tuote on tarkoitettu vain käyttäjänsä käsiteltäväksi
Vähintään 16 vuotta täytäneille



Varo, ettet pudota tuotetta itsesi tai kenenkään muun päälle!

AINA



EI IKINÄ



EI IKINÄ



Varoitus – poljinsetin puristusvaara pelattaessa

- * Pidä poljinsetti lasten ulottumattomissa.
- * Älä aseta pelin aikana koskaan sormiasi polkimien sivustan päälle tai lähelle.
- * Älä aseta pelin aikana koskaan sormiasi polkimien jalustan takaosan päälle tai lähelle.
- * Älä aseta pelin aikana koskaan sormiasi polkimien jalustan etuosan päälle tai lähelle.

EI IKINÄ



EI IKINÄ



EI IKINÄ



Varoitus – poljinsetin puristusvaara pelien ulkopuolella

- * Varastoi poljinsetti turvalliseen paikkaan ja pidä se lasten ulottumattomissa.

RATTIOHJAIMEN LAITEOHJELMISTON PÄIVITTÄMINEN

Rattiohjaimen jalustan sisältämä laiteohjelmisto voidaan päivittää uudempaan versioon, joka sisältää parannuksia tuotteeseen.

Tarkista rattiohjaimen käyttämä laiteohjelmiston versio ja päivitä se vaadittaessa: Käy tietokoneella osoitteessa <https://support.thrustmaster.com>. Napsauta **Racing Wheels / T-GT II**, valitse **Firmware** ja seuraa sitten lataus- sekä asennusohjeita.

Tärkeä huomautus:

PC-tietokoneella rattiohjaimen jalustan USB-liukukytkimen (11) täytyy olla asetettuna "OTHER"-tilaan.

RATIN ASENTAMINEN JALUSTAAN

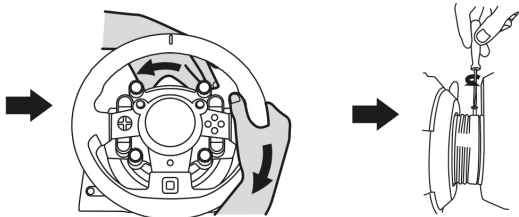
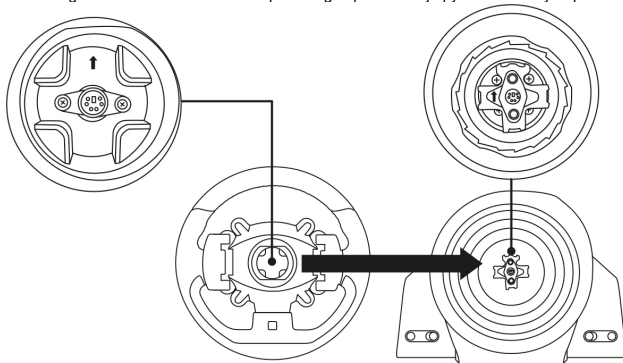
Aseta liittimet kohdalleen nuolia käyttämällä:

Jalustan (1) liitin: Nuoli osoittaa ylöspäin

Rattiohjaimen (2) liitin: Nuoli osoittaa ylöspäin

Kun liittimet ovat kohdallaan, pyöritä Thrustmaster Quick Release (15) -järjestelmän rengasta vastapäivään samalla, kun pidät rattia (2) paikallaan.

Kiristä sitten rengas mahdollisimman tiukalle: pidä rengas paikallaan ja pyöritä rattia myötäpäivään.



Kun olet asentanut ratin, pyöritä sitä 180° (GT-logon pitäisi olla ylösalaisin rattia katsottaessa) päästäksesi käsiksi Thrustmaster Quick Release (15) -järjestelmän renkaassa sijaitsevaan pieneen liitinruuviin. Kiristä liitinruuvi ristipäämeisselillä (älä käytä liikaa voimaa) pyörittämällä sitä myötäpäivään.

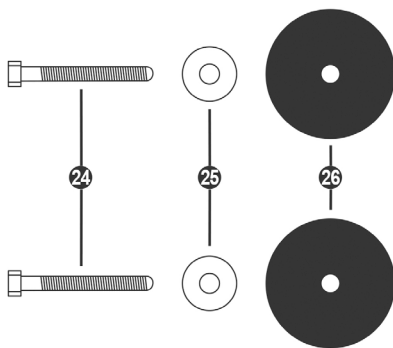


ÄLÄ käytä liikaa voimaa, kun käytössäsi on ristipääruuvimeisseli ja kiristät pientä liitinruuvia!

Lopeta kiristäminen heti, kun tunnet hieman vastustusta.

RATTIOHJAIMEN KIINNITYS

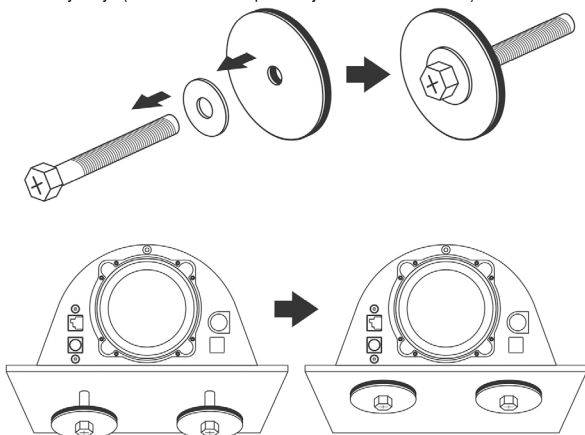
Rattiohjaimen jalustan kiinnittäminen ohjaamoon



24 Kaksi M6-tyypin kuusikulmaista ristipääpulttia

25 Kaksi rikkaa

26 Kaksi kiinnityslevyä (metallinen toiselta puolelta ja kuvioitu kumi toiselta)



1. Aseta rikat (25) kiinnityslevyjen metallipuolelle (26) ja aseta sitten M6-tyyppiset ristipääpultit (24).

2. Aseta rattiohjaimen jalusta ohjaamon levyille.

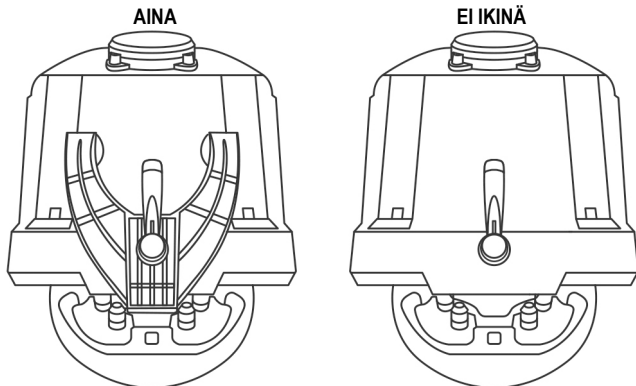
3. Ruuvaa 10 mm jakoavainta tai ristipäämeisseliä käyttämällä ohjaamon kiinnityssarja ohjaamon levyyn ja kahteen pieneen ruuvikoloon, jotka löytyvät ratin alapuolelta.

HUOMIO:

- Älä poista rattiohjaimen jalustan alapuolella olevia pehmusteita! Pehmusteet korostavat T-DFB-järjestelmän tehosteita, kun ratti on kiinnitettyä.
- Kiinnityslevyjen (26) kuvioitu kumipuoli täytyy ehdottomasti olla asetettu kohti ohjaamon levyä = älä koskaan aseta metallipuolta ohjaamon levyä kohti.

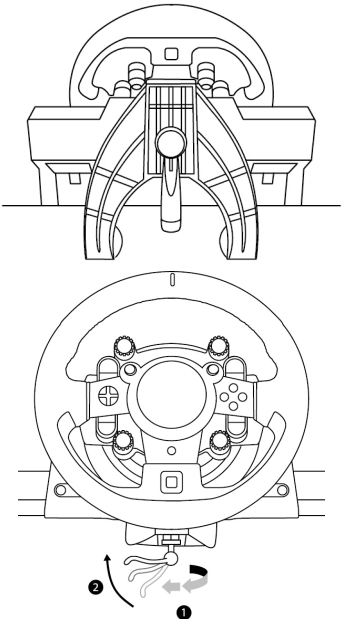
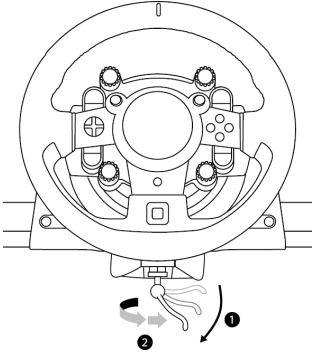
Rattiohjaimen kiinnitys pöytään

1. Aseta rattiohjain pöydälle tai mille tahansa horisontaaliselle, tasaiselle ja vakaalle pinnalle.
2. Aseta kiinnitysruuvi (14) kiinnitysjärjestelmään (13), kiristä sitten laite kääntämällä ruuvia vastapäivään, sen mennessä rattiohjaimen pohjassa olevaan suureen, kierteillä varustettuun reikään (12), kunnes ratti on täysin vakaa.



VAROITUS:

- Älä koskaan kiristä pelkästään ruuvia ilman, että kiinnitysjärjestelmä on paikallaan (se voi vahingoittaa rattiohjainta).
- Älä poista rattiohjaimen jalustan alapuolella olevia pehmusteita! Pehmusteet korostavat T-DFB-järjestelmän tehosteita, kun ratti on kiinnitettyä.

LIITTÄMINEN/IRROT TAMINEN	SUUNTA
<p>Kiinnitys:</p> <p><i>Käännä ruuvia vastapäivään</i></p>	
<p>Irrotus:</p> <p><i>Käännä ruuvia myötäpäivään</i></p>	

RATTIOHJAIMEN KÄYTTÖÖNOTTO PS5™-KONSOLILLA JA PS4™-KONSOLILLA

1. Yhdistä poljinsetti liittimeen (19), joka löytyy rattiohjaimen jalustan takaa.
2. Yhdistä T-TURBO-virtalähde (21) sen liittimeen (17).
3. Yhdistä virtajohto (22) T-TURBO-virtalähteeseen ja sähköpistokkeeseen, joka vastaa tuotteen jännitettä.
4. Aseta USB-liukukytkin (11) "OTHER"- tai "GT"-asentoon riippuen käyttämästäsi PS5™- tai PS4™-pelistä.
5. Yhdistä irrotettava USB-kaapeli (23) liittimeen (18) ja yhteen PS5™-konsolin tai PS4™-konsolin USB-porteista.
6. Kun PS5™-konsolin tai PS4™-konsolin virta on päällä, rattiohjin kalibroi itsensä automaattisesti.
7. Paina rattiohjaimen PS-näppäintä (9) ja kirjaudu PlayStation™Network-tilillesi, jotta rattisi on toimintakelpoinen.
Olet nyt pelivalmis!

Tärkeät huomautukset:

- Älä unohda painaa rattiohjaimen PS-näppäintä (9), jotta saat rattisi toimintakelpoiseksi.
- Rattiohjaimen jalustan USB-liukukytkimen (11) täytyy aina olla oikeassa asennossa ("OTHER" tai "GT"), ennen kuin rattiohjaimen USB-kaapeli yhdistetään konsoliin. Liukukytkimen asennon vaihtaminen: irrota USB-kaapeli ja aseta sitten kytkin sopivaan asentoon, ennen kuin yhdistät USB-kaapelin uudelleen konsoliin.
- T-GT II -ratin kanssa yhteensopivien PlayStation®5- ja PlayStation®4-pelien lista (sekä käyttämäsi pelin vaatima USB-liukukytkimen (11) asento) löytyy täältä: <https://support.thrustmaster.com> (osiosta Racing Wheels / T-GT II). Tätä listaa päivitetään säännöllisesti.

USB-LIUKUKYTKIN (11) ON "OTHER"-ASENNOSSA PS5™- JA PS4™-PELEJÄ PELATTESSA, POIS LUKIEN GT SPORT

Kun USB-liukukytkin (11) on asetettu "OTHER"-asentoon:

- * Force Feedback -järjestelmä on käytössä, mutta T-DFB-tehostejärjestelmä (16) ei ole.

USB-LIUKUKYTKIN (11) ON "GT"-ASENNOSSA GT SPORT -PELISSÄ (JA MUISSA TULEVISSA GT-PELEISSÄ)

Kun USB-liukukytkin (11) on asetettu "GT"-asentoon:

- * Force Feedback -järjestelmä ja T-DFB-tehostejärjestelmä (16) ovat käytössä yhtä aikaa. Jokaisen järjestelmän voima-asetuksia voidaan säätää erikseen GT Sport -pelin asetuksista.

RATTIOHJAIMEN KÄYTTÖÖNOTTO PC:LLÄ*

* Sony Interactive Entertainment Europe ja Sony Interactive Entertainment LLC eivät ole antaneet PC-yhteensopivuudelle hyväksyntäänsä.

Lisää tietoa löytyy osoitteesta <https://support.thrustmaster.com>.

RATTIOHJAIMEN JA POLJINSETIN AUTOMAATTINEN KALIBROINTI

Ratti kalibroi itsensä automaattisesti, kun rattiohjain kiinnitetään sähköpistokkeeseen ja rattiohjaimen USB-liitin yhdistetään konsoliin.

Toimenpiteen aikana rattiohjain kääntyy nopeasti vasemmalle ja oikealle, kattaen 1 080 asteen kulman, ennen kuin se pysähtyy keskelle.



VAROITUS:

Älä koskaan koske rattiohjaimen sen kalibroidessa itseään!
(Se voi johtaa virheelliseen kalibrointiin ja/tai vammoihin.)

POLJINSETIN AUTOMAATTINEN KALIBROINTI

Älä ikinä yhdistä poljinsettiä rattiohjaimen jalustaan (tai irrota sitä jalustasta), kun se on yhdistetty konsoliin, tai pelin aikana (se voi johtaa virheelliseen kalibrointiin).

Yhdistä poljinsetti aina ennen rattiohjaimen yhdistämistä konsoliin.

Kun rattiohjaimen kalibrointi on suoritettu ja peli käynnistetty, polkimet kalibroivat itsensä automaattisesti muutaman painalluksen jälkeen.



VAROITUS:

Älä ikinä paina polkimia rattiohjaimen itsekalibrointivaiheen aikana, tai kun peliä ladataan!
(Se voi johtaa virheelliseen kalibrointiin.)

Jos rattiohjain ja/tai poljinsetti ei toimi oikein, tai ne eivät vaikuta oikein kalibroiduilta:

Sammuta konsoli ja irrota rattiohjain täysin. Yhdistä sitten kaikki johdot (mukaan lukien virtajohto ja poljinsetti) ja käynnistä konsoli sekä peli uudelleen.

RATIN JALUSTAN SISÄINEN JÄÄHDYTYSJÄRJESTELMÄ

Ratin jalustan sisäinen jäähdytysjärjestelmä

- käynnistyy ratin virran mennessä päälle
- sammuu muutaman minuutin käyttämättömyyden jälkeen, kun sisäinen lämpötila on tarpeeksi alhainen
- käynnistyy uudelleen, kun käytät rattia.

MODE-PAINIKE JA ILMAISINVALO (10)

Poljinsetin MODE-painike

Voit elektronisesti vaihtaa kaasu- ja kytkinpolkimet keskenään.

Tee se painamalla MODE-painiketta (10) kahden sekunnin ajan.

Rattiohjaimen sisäinen muisti tallentaa, ovatko polkimet vaihdettu keskenään vai ei.

KAASU- JA KYTKINPOLKIMET	MODE-ilmaisinalon (10) väri
NORMAALI	PUNAINEN
VAIHDETTU	VIHREÄ

Muut MODE-painikkeen tiedot

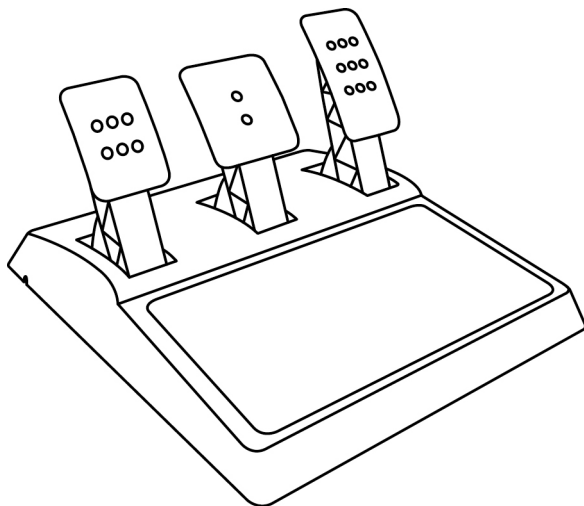
MODE-painikkeesta ja ilmaisinalosta saa lisätietoa osoitteesta <https://support.thrustmaster.com>.

Napsauta **Racing Wheels / T-GT II** ja valitse sitten **Manual** tai **FAQ**.

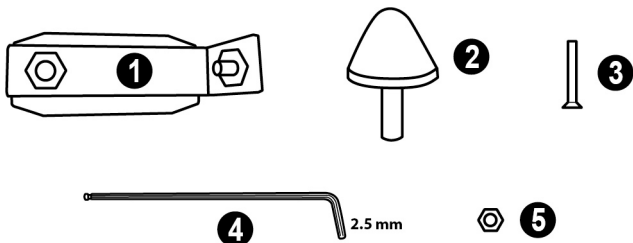
OHJETIEDOSTOT JA UKK (FAQ)

Käy osoitteessa <https://support.thrustmaster.com>. Napsauta **Racing Wheels / T-GT II** ja valitse sitten **Manual** tai **FAQ**.

T-GT II EDITION -POLJINSETTI



TEKNISET OMINAISUUDET



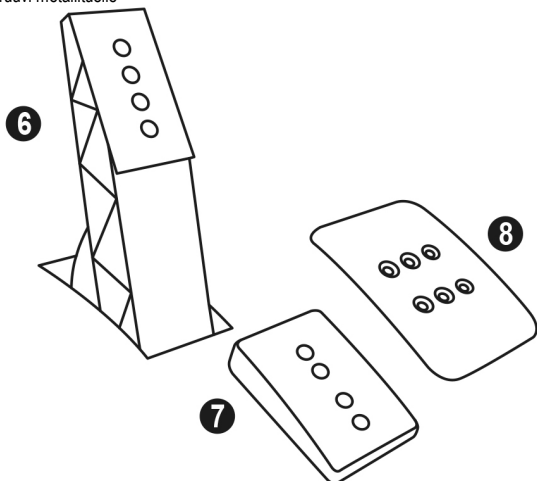
1 Metallituki kartiomaiselle rajoittimelle
(ei valmiiksi asennettu)

2 Kartiomainen rajoitin

3 Kiinnitysruuvi metallituelle

4 2,5 mm kuusiokoloavain (mukana)

5 Asennon säätömutteri kartiomaiselle rajoittimelle



6 Metallinen polkimen varsi

7 Muovinen kärkituki

8 Metallinen polkimen kärki

VAROITUS

Ennen kuin käytät tätä tuotetta, lue nämä ohjeet huolella ja säästä ne myöhempää tarvetta varten.

⚠
Älä turvallisuussyistä johtuen käytä poljinsettiä ikinä paljain jaloin tai pelkät sukat jalassa.

THRUSTMASTER® KIELTÄÄ KAIKEN VASTUUN, MIKÄLI
LOUKKAANTUMINEN JOHTUU POLJINSETIN KÄYTTÖSTÄ ILMAN KENKIÄ.



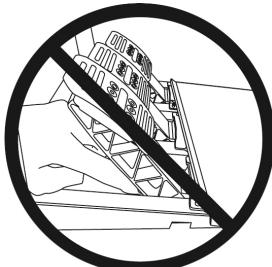
Varoitus – poljinsetin puristusvaara peli-istuntojen aikana

- * Pidä poljinsetti lasten ulottumattomissa.
- * Älä ikinä aseta pelisessioiden aikana sormea tai peukaloa polkimien sivuille tai niiden lähelle.
- * Älä ikinä aseta pelisessioiden aikana sormea tai peukaloa polkimien takajalustalle tai sen lähelle.
- * Älä ikinä aseta pelisessioiden aikana sormea tai peukaloa polkimien etujalustalle tai sen lähelle.

ÄLÄ IKINÄ



ÄLÄ IKINÄ



ÄLÄ IKINÄ



POLJINTEN AUTOMAATTINEN KALIBROINTI



TÄRKEÄÄ:

- Älä ikinä yhdistä tai irrota poljinsettiä ratin jalustasta, kun ratti on yhdistetty PS5™-konsoliin tai PS4™-konsoliin tai tietokoneeseen, tai pelisessioiden aikana, välttääksesi kalibrointiongelmia.
- Yhdistä poljinsetti aina rattiin, ennen kuin yhdistät ratin PS5™-konsoliin tai PS4™-konsoliin tai tietokoneeseen.
- Kun ratti on kalibroinut itsensä ja peli on käynnistetty, polkimet kalibroivat itsensä automaattisesti muutaman painalluksen jälkeen.
- Älä ikinä paina polkimia, kun ratti kalibroi itseään tai kun peli käynnistyy, niin vältät kalibrointiongelmia.
- Mikäli polkimet eivät toimi oikein tai vaikuttavat väärin kalibroituilta, sammuta järjestelmä, irrota ratti kokonaan, yhdistä sitten kaikki johdot (mukaan lukien virtalähteen johto ja poljinsetin johto), aseta järjestelmän virta päälle ja käynnistä peli uudelleen.

POLJINSETIN YHDISTÄMINEN OHJAAMOON

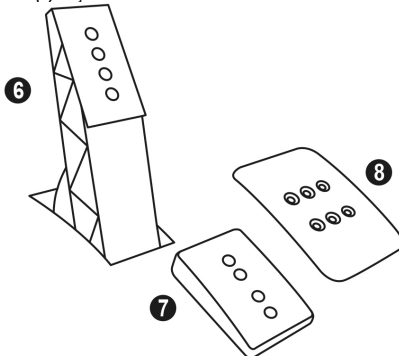
- Liitä poljinsetti käyttämällä pieniä ruuvikoloja, jotka löytyvät poljinsetin alapuolelta.
- Kiinnitä kaksi M6-ruuvia (ei mukana) ohjaamon poljintuen levyyn ja kahteen pieneen ruuvikoloon, jotka löytyvät poljinsetin alapuolelta.

Tärkeää: Kahden M6-ruuvien pituudet eivät saa ylittää ohjaamon poljintuen levyn paksuutta yli 10 millimetrillä, jotta vältät vahingoittamista poljinsetin sisäisiä komponentteja.

POLJINSETIN SÄÄTÖ

Jokainen kolmesta polkimesta sisältää:

- Metallisen kärjen (8) usealla eri reiällä (yhdeksän kaasulle – kaksi jarrulle – kuusi kytkimelle).
- Muovisen kärkituen (7) (asetetaan kärjen ja varren väliin) neljällä reiällä.
- Metallisen poljinvarren (6) neljällä reiällä.

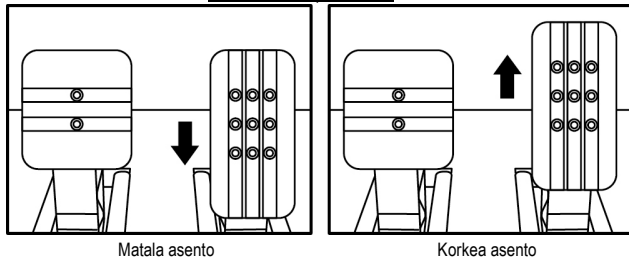


HUOMIO: Muista kalibrointiongelmia välttääksesi aina irrottaa ratin USB-kaapeli PS5™-konsolista tai PS4™-konsolista, ennen kuin teet mitään säätöjä poljinsettiin.

Kolmen polkimen KORKEUDEN säätö

- Käytä mukana tulevaa 2,5 mm kuusiokoloavainta (4) avataksesi kaksi ruuvia, jotka pitävät metallisen kärjen (8) ja sen tuen (7) paikallaan.
- Valitse haluamasi korkeus, aseta ja kiristä sitten ruuvit uudelleen, jotta metallinen kärki (8) ja sen tuki (7) ovat tukevasti paikallaan.

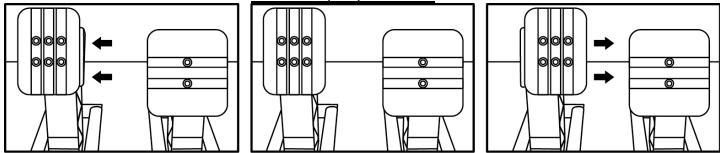
Esimerkit kaasupolkimesta:



Kaasu- ja kytkinpolkimen VÄLIN säätö

- Käytä mukana tulevaa 2,5 mm kuusiokoloavainta (4) avataksesi kaksi ruuvia, jotka pitävät metallisen kärjen (8) ja sen tuen (7) paikallaan.
- Valitse haluamasi asento (vasemmalla, keskellä tai oikealla), aseta ja kiristä sitten ruuvit uudelleen, jotta metallinen kärki (8) ja sen tuki (7) ovat tukevasti paikallaan.

Esimerkit kytkinpolkimesta:



Vasen asento

Keskiasento (oletus)

Oikea asento

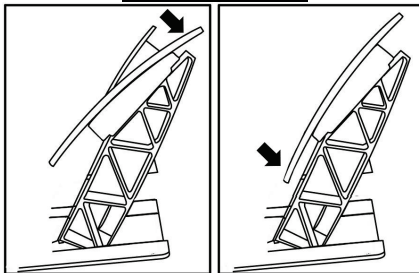
Mahdollisten väliasentojen määrä per poljiin:

- Kolme kaasupolkimelle
- Kolme kytkinpolkimelle

Kolmen polkimen KALLISTUKSEN säätö

- Käytä mukana tulevaa 2,5 mm kuusiokoloavainta (4) avataksesi kaksi ruuvia, jotka pitävät metallisen kärjen (8) ja sen tuen (7) paikallaan.
- Pyöritä muovista kärkitukea (7) 180° ja kiristä sitten ruuvit uudelleen, jotta metallinen kärki (8) ja sen tuki (7) ovat tukevasti paikallaan.

Esimerkit kaasupolkimesta:



Vähemmän kallistettu asento

Enemmän kallistettu asento (oletus)

Mahdollisten kallistusasentojen määrä per poljiin:

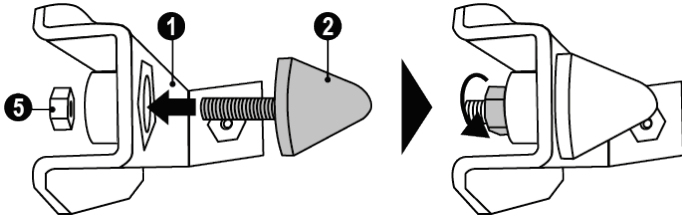
- Kaksi kaasupolkimelle
- Kaksi jarrupolkimelle
- Kaksi kytkinpolkimelle

Kartiomaisen rajoittimen asennus (JARRUN KARTIOMAINEN KUMISÄÄDIN)

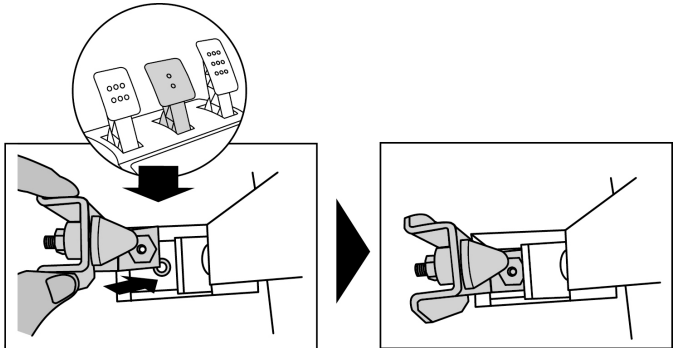
Tämä säädin (tai "mod") ei ole pakollinen, ja sitä ei ole asennettu valmiiksi. Jarrupoljin on siis täysin toimiva, vaikka säädintä ei ole asennettu.

Tämän säätimen avulla saat erilaisen jarrutuskokemuksen ja -vastuksen. Sinä voit päättää sen asentamisesta täysin omien mieltymyksiesi mukaan.

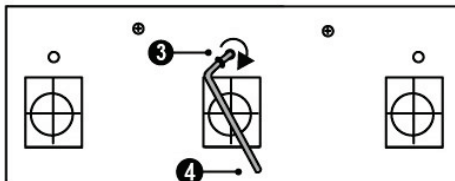
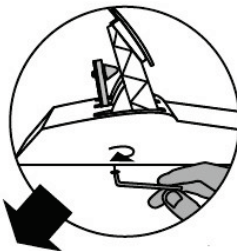
- Ruuvaa kartiomainen rajoitin (2) sen metallitukeen (1).
- Ruuvaa asennon säätömutteri (5) pohjaan kiinni (kartiomaisen rajoittimen kierteisiin).



- Aseta yksikkö jarrupolkimen varren taakse.



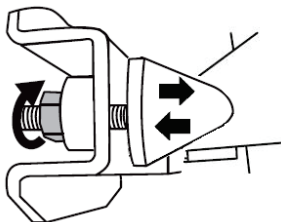
-Käytä mukana tulevaa 2,5 mm kuusiokoloavainta (4) liittääksesi yksikön käyttämällä liitinruuvia (3) ja pientä keskellä olevaa ruuvikoloa, joka löytyy poljinsetin alapuolelta.



JARRUN KARTIOMAINEN KUMISÄÄDIN on nyt asennettu!

Jarrupolkimen **LIKKUMISMATKAN** ja vastuksen **VOIMAKKUUDEN** säätö

Avaa mutteria hieman (5), voit vahvistaa jarrupolkimen vastuksen voimakkuutta liikuttamalla kartiomaista rajoitinta (2) lähemmäksi polkimen varren takaosaa (käytä tarpeen vaatiessa 14 mm kiintoavainta tai pihtejä kiristääksesi mutterin uudelleen ja säilyttääksesi valitun asennon). Mitä lähempänä kartiomainen rajoitin on polkimen varren takaosaa, sitä voimakkaampi vastus on.



Huomautus: Kun kartiomainen rajoitin on todella lähellä polkimen varren takaosaa, sinulla voi olla vaikeuksia saavuttaa kalibroinnin maksimiarvo. Mikäli näin käy:

- * Paina jarrupoljinta hitaasti ja todella kovaa, jotta saavutat maksimiarvon (seiso tarpeen vaatiessa heti polkimen päällä, vain sekunnin ajan), ja vapauta sitten paine; tai
- * Siirrä kartiomaista rajoitinta hieman etäämmäksi jarrupolkimen varren takaosasta.

Kuluttajan takuutiedot

Maailmanlaajuinen, Guillemot Corporation S.A., jonka rekisteröity toimisto sijaitsee osoitteessa Place du Granier, B.P. 97143, 35571 Chantepie, France (tästä eteenpäin "Guillemot"), takaa asiakkaalle, että tämä Thrustmaster-tuote on materiaaleista ja työn laadusta johtuvista vioista vapaa takuuajan verran. Kaikki toimet sen noudattamiseksi on nostettava tämän aikarajan sisällä. Euroopan Union jäsenvaltioissa se vastaa kahta (2) vuotta Thrustmaster-tuotteen toimituksesta. Muissa maissa takuu-aika vastaa Thrustmaster-tuotteen noudattamisvaatimusten aikarajaa sen maan asiaankuuluvien lakien mukaisesti, jonka asukas kuluttaja oli Thrustmaster-tuotteen ostopäivänä (mikäli kyseisessä maassa ei ole tällaisia vaatimuksia, takuuajan kesto on yksi (1) vuosi Thrustmaster-tuotteen ostopäivästä).

Yllä olevasta huolimatta ladattavilla akuilla on kuuden (6) kuukauden takuu ostopäivästä lähtien.

Mikäli tuote vaikuttaa takuuajan aikana vialliselta, ota välittömästi yhteyttä tekniseen tukeen, joka kertoo noudettavista toimenpiteistä. Jos vika vahvistetaan, tuote läytyy palauttaa sen ostopaikkaan (tai muuhun teknisen tuen osoittamaan paikkaan).

Tämän takuun puitteissa kuluttajan viallinen tuote joko korvataan uudella tai palautetaan toimintakuntoon teknisen tuen valinnan mukaan. Jos takuuajan aikana Thrustmaster-tuotteelle tehdään korjaustoimia, mikä tahansa vähintään seitsemän (7) päivää kestänyt jakso, jolloin tuote ei ole käytettävissä, lisätään se jäljellä olevaan takuu-aikaan (tämä jakso alkaa siitä päivästä, kun asiakas pyytää tukitoimia tai kun kyseessä oleva tuote luovutetaan korjattavaksi, mikäli korjaukseen luovuttamisen päivämäärä on myöhäisempi kuin tukitoimipyynnön). Mikäli asiaankuuluva laki sen sallii, Guillemotin ja sen tytäryhtiöiden täysi vastuuvollisuus (mukaan lukien välilliset vahingot) rajoittuvat Thrustmaster-tuotteen toiminnan palauttamiseen tai sen korvaamiseen uudella. Mikäli asiaankuuluva laki sen sallii, Guillemot kiistää kaikki takuut tuotteen myytävyydestä tai sopivuudesta tiettyyn tarkoitukseen.

Tämä takuu ei ole voimassa: (1) mikäli tuotetta on muokattu, avattu, muunneltu tai se on kärsinyt vahinkoa epäasiallisen tai huonon käytön, huolimattomuuden, onnettomuuden, tavallisen kulumisen tai minkä tahansa muun syyn johdosta, joka ei liity materiaali- tai valmistusvirheisiin (mukaan lukien, mutta rajoittumatta, Thrustmaster-tuotteen yhdistäminen epäsoveliaan osan kanssa, erityisesti virtalähteet, ladattavat akut, laturit tai muut tuotteet, joita Guillemot ei ole toimittanut tälle tuotteelle); (2) mikäli tuotetta on käytetty missä tahansa muussa kuin kotikäytössä, mukaan lukien ammattimaisessa tai kaupallisessa käytössä (esim. pelihuoneet, koulutus ja kilpailut); (3) mikäli vian ilmetessä teknisen tuen ohjeita ei ole noudatettu; (4) ohjelmistojen kohdalla, kyseisellä ohjelmistolla on erillinen takuu; (5) käyttöesineiden kohdalla (tuotteen eliniän aikana vaihdettavat osat: esim. kertakäyttöiset paristot, kuulokkeet tai kuuloketyyny); (6) lisälaitteiden kohdalla (esim. kaapelit, kotelot, pussit, laukut ja rannekkeet); (7) mikäli tuote myytiin julkisessa huutokaupassa.

Tätä takuuta ei voi siirtää.

Tämä takuu ei vaikuta kuluttajan laillisiin oikeuksiin hänen maassaan, mitä tulee kuluttajatuotteiden myyntiin.

Ylimääräiset takuehdot

Takuuajan aikana Guillemot ei lähtökohtaisesti tarjoa varaosia, sillä tekninen tuki on ainoa osapuoli, joka on valtuutettu avaamaan ja/tai korjaamaan Thrustmaster-tuotteita (pois lukien sellaiset korjaustoimet, joita tekninen tuki saattaa pyytää kuluttajaa tekemään kirjallisten ohjeiden kautta – esimerkiksi korjaustoimen yksinkertaisuuden ja salassapitotarpeiden puuttumisen vuoksi – ja toimittamalla kuluttajalla vaadittavat varaosat, jos ne ovat tarpeellisia).

Innovaatiosykleistä johtuen ja suojellakseen tietotaitoaan sekä liikesalaisuuksiaan Guillemot ei lähtökohtaisesti tarjoa mitään uudelleenkäsitteilyilmoituksia tai varaosia Thrustmaster-tuotteille, joiden takuu aika on umpeutunut.

Vastuuvuolisuus

Mikäli asiaankuuluva laki sen sallii, Guillemot Corporation S.A. (tästä eteenpäin "Guillemot") ja sen tytäryhtiöt kiistävät vastuunsa kaikista vahingoista, jotka johtuvat yhdestä tai useammasta seuraavasta: (1) tuotetta on muokattu, avattu tai muunneltu; (2) kokoamisohjeita ei ole noudatettu; (3) epäasiallisen tai huonon käytön, huolimattomuuden tai onnettomuuden (esim. isku) johdosta; (4) tavallisen kulumisen johdosta; (5) tuotetta on käytetty missä tahansa muussa kuin kotikäytössä, mukaan lukien ammattimaisessa tai kaupallisessa käytössä (esim. pelihuoneet, koulutus ja kilpailut). Mikäli asiaankuuluva laki sen sallii, Guillemot ja sen tytäryhtiöt kiistävät vastuunsa kaikista vahingoista, jotka eivät liity tuotteen materiaali- tai valmistusvirheisiin (mukaan lukien, mutta rajoittumatta, ohjelmiston suoraan tai epäsuoraan aiheuttamat vahingot, tai yhdistämällä Thrustmaster-tuote minkä tahansa epäsovivan osan kanssa, mukaan lukien tietyt virtalähteet, ladattavat akut, laturit tai muut osat, joita Guillemot ei ole toimittanut tälle tuotteelle).

THRUSTMASTER®

TEKNINEN TUKI

<https://support.thrustmaster.com>



TEKIJÄNOIKEUS

© 2021 Guillemot Corporation S.A. Kaikki oikeudet pidätetään. Thrustmaster® on Guillemot Corporation S.A. -yhtiön rekisteröity tavaramerkki. Guillemot Corporation S.A. -yhtiön valmistama ja jakelema. Kaikki muut tavaramerkit ja tuotenimet ovat täten tunnustettuja ja haltijoidensa omaisuutta. Sisältö, mallit ja tavaraselosteet voivat muuttua ilman erillistä ilmoitusta ja vaihdella maasta toiseen. Valokuvat ja kuvitukset eivät ole sitovia. Suunniteltu Pohjois-Amerikassa ja Euroopassa, valmistettu Kiinassa.

Tarkoitettu vain PlayStation®5-konsolilla ja PlayStation®4-konsolilla käytettäväksi

"PS", "PlayStation", "PS5" ja "PS4" ovat Sony Interactive Entertainment Inc. -yhtiön rekisteröityjä tavaramerkkejä. Kaikki oikeudet pidätetään. Kaikki muut tavaramerkit ovat haltijoidensa omaisuutta. Valmistettu ja jaeltu Sony Interactive Entertainment LLC -yhtiön lisenssin alaisesti.

Gran Turismo ja Gran Turismo -logo Sony Interactive Entertainment Inc. -yhtiön rekisteröityjä tavaramerkkejä.

TouchSense®-teknologia on lisensoitu Immersion Software Ireland Limited -yhtiöltä. Suojeltu yhdellä tai useammalla Yhdysvaltojen patentilla, jotka löytyvät seuraavasta osoitteesta: www.immersion.com/patent-marking.html, muut patentit ovat käsittelyssä.

YMPÄRISTÖNSUOJELUSUOSITUS



* Euroopan unionissa, Iso-Britanniassa ja Turkissa: Käyttöikänsä päätyttyä tätä tuotetta ei pidä laittaa kodin sekajätteeseen, vaan se tulee viedä sähkö- ja elektroniikkalaiteromun (SER/WEEE) keräyspisteeseen kierrätettäväksi.

Tämä vahvistetaan tuotteesta, käyttöohjeesta sekä pakkauksesta löytyvällä symbolilla.

Ominaisuuksistaan riippuen materiaalit voidaan kierrättää. Voit kierrätyksen ja muun sähkö- ja elektroniikkaromun käsittelyn avulla auttaa merkittävästi ympäristön suojelussa.

Ota yhteyttä paikallisiin viranomaisiin saadaksesi tietoa lähimmästä keräyspisteestä.

Muissa maissa: Noudata paikallisia sähkö- ja elektroniikkaromun kierrätyslakeja.

Pidä nämä tiedot tallessa. Värit ja koristeet voivat vaihdella.

Muoviset kiinnittimet ja tarrat tulee poistaa ennen tuotteen käyttöä.

www.thrustmaster.com

* Voimassa vain EU:ssa, Iso-Britanniassa ja Turkissa



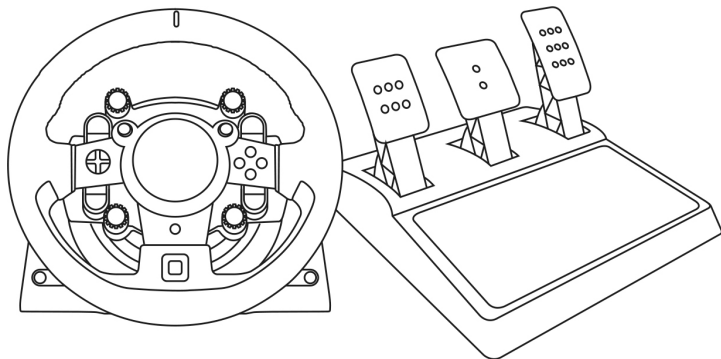
immersion.



T-GT II

Pre konzoly PlayStation®5 a konzoly PlayStation®4

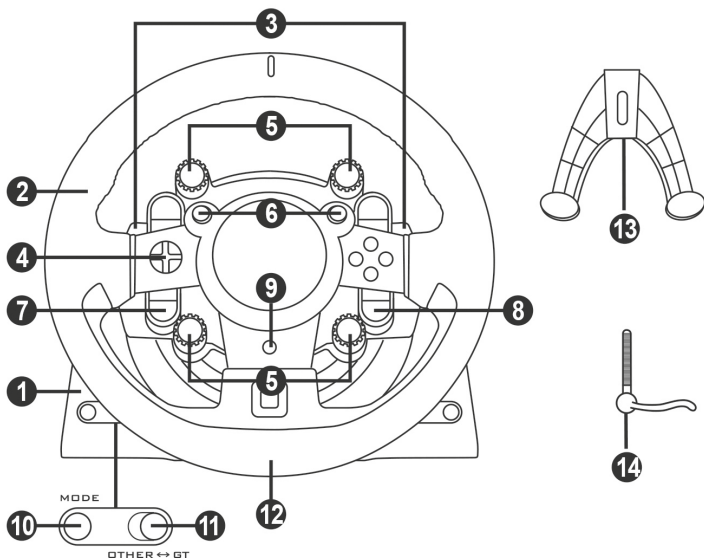
Návod na použitie



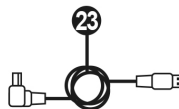
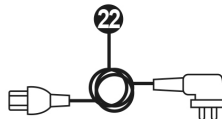
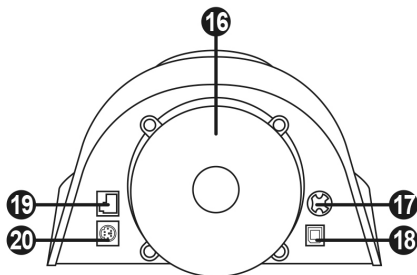
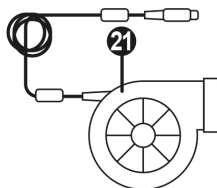
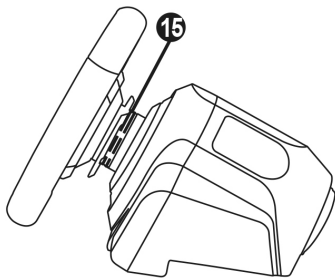
UPOZORNENIE:

Aby ste zabezpečili, že Váš pretekársky volant T-GT II bude v hrách fungovať správne, možno budete musieť nainštalovať automatické aktualizácie hry (sú k dispozícii, keď je Vaša konzola pripojená k internetu).

TECHNICKÉ VLASTNOSTI



- | | | | |
|---|---|----|--|
| 1 | Základňa T-GT II | 8 | Tlačidlo OPTIONS |
| 2 | Volant T-GT II | 9 | Tlačidlo PS |
| 3 | 2 sekvenčné pádla radenia (hore & dole) | 10 | Tlačidlo MODE + červená/zelená svetelná kontrolka |
| 4 | Smerové tlačidlá | 11 | Vstavaný posuvný USB prepínač: OTHER / GT |
| 5 | 4 otočné prepínače s funkciou Push | 12 | Veľký otvor so závitom (pre upevňovací systém a upevňovaciu skrutku) |
| 6 | 2 mini-páčky | 13 | Upevňovací systém |
| 7 | Tlačidlo SHARE/CREATE | 14 | Kovová upevňovacia skrutka |



- 15 Thrustmaster Quick Release
- 16 Systém T-DFB efektov (kompatibilný iba s konzolami PS5™ a konzolami PS4™ v režime GT)
- 17 Konektor pre napájanie T-TURBO
- 18 Konektor pre odnímateľný kábel USB
- 19 Konektor pre sadu pedálov
- 20 Konektor pre radiacu páku TH8A (radiaca páka sa predáva samostatne)
- 21 Napájanie T-TURBO
- 22 Napájací kábel
- 23 Odnímateľný kábel USB

ZAPOJENIE VOLANTU DO ELEKTRICKEJ ZÁSUVKY: PROŠIM ČÍTAJTE POZORNE!



Nikdy nezapájajte napájací zdroj T-TURBO do elektrickej zásuvky s iným napätím! Napätie zdroja T-TURBO je uvedené na štítku nachádzajúcom sa nad zásuvným koncom napájacieho kábla.



K základni T-GT II nikdy nepripájajte iný zdroj napájania ako T-TURBO, aj keď je konektor kompatibilný! Napríklad nikdy nepripájajte napájací adaptér pre volant T500 RS k základni T-GT II.

UPOZORNENIE

Pred použitím tohto produktu si prosím pozorne prečítajte tento návod a odložte si ho pre neskoršie použitie.



Varovanie - Úraz elektrickým prúdom

- * Produkt uchovávajte na suchom mieste a nevystavujte ho prachu alebo sľnečnému žiareniu.
- * Nekrúťte ani neťahajte za konektory a káble.
- * Na výrobok ani na jeho konektory nevyliievajte kvapaliny.
- * Výrobok neskratujte.
- * Nikdy výrobok nerozoberajte; nehádzte do ohňa a nevystavujte ho vysokým teplotám.
- * Nepoužívajte iný napájací kábel ako ten, ktorý je dodávaný s Vaším pretekárskym volantom.
- * Nepoužívajte napájací kábel, ak je poškodený, rozdelený alebo zlomený.
- * Uistite sa, že napájací kábel je správne zapojený do elektrickej zásuvky a správne pripojený do konektora na zadnej strane základne pretekárskeho volantu.
- * Pretekársky volant neotvárajte: vo vnútri nie sú žiadne diely opraviteľné používateľom. Prípadné opravy musí vykonať výrobca, jeho autorizovaný zástupca alebo kvalifikovaný technik.
- * Používajte iba upevňovacie systémy/príslušenstvo určené výrobcom.
- * Ak pretekársky volant funguje neobvykle (ak vydáva neobvyklé zvuky, teplo alebo pachy), okamžite ho prestaňte používať, odpojte napájací kábel z elektrickej zásuvky a odpojte ďalšie káble.
- * Ak nebudete pretekársky volant dlhší čas používať, odpojte jeho napájací kábel z elektrickej zásuvky.
- * Elektrická zásuvka musí byť umiestnená v blízkosti zariadenia a musí byť ľahko prístupná.

Informácie pre 220V napájací adaptér

Zverejnené informácie	Hodnota	Jednotka
Meno alebo ochranná známka výrobcu, obchodné registračné číslo a adresa	GUILLEMOT CORPORATION S.A. 414 196 758 Rennes Place du Granier BP 97143 35571 Chantepie Cedex Francúzsko	
Identifikátor modelu	Turbo Power 220V	
Vstupné napätie	220 - 240	V
Vstupná AC frekvencia	50 / 60	Hz
Výstupné napätie	24,0	V AC
Výstupný prúd	4,0	A
Výstupný výkon	96,0	W
Priemerná aktívna účinnosť	90,9	%
Účinnosť pri nízkom zaťažení (10 %)	86,8	%
Spotreba energie bez zaťaženia	0,01	W



Vetracie otvory

Dbajte na to, aby ste neblokovali žiadny z vetracích otvorov na základni pretekárskeho volantu. Pre optimálne vetranie postupujte takto:

- * Základňu volantu umiestnite najmenej 10 cm od povrchov stien.
- * Základňu neumiestňujte do akýchkoľvek tesných priestorov.
- * Nezakrývajte základňu.
- * Dbajte na to, aby sa na vetracích otvoroch nehromadil prach.



Z bezpečnostných dôvodov nikdy nepoužívajte pedálovú sadu s bosými nohami alebo keď máte na nohách iba ponožky.

THRUSTMASTER® SA ZRIEKA VŠETKEJ ZODPOVEDNOSTI V PRÍPADE ZRANENIA VYPLÝVAJÚCEHO Z POUŽITIA SADY PEDÁLOV BEZ OBUVI.



Varovanie - Zranenia v dôsledku silovej spätnej väzby Force Feedback a opakovaných pohybov

Hra s pretekárskym volantom s Force Feedback môže spôsobiť bolesť svalov alebo kĺbov. Aby ste sa vyhli problému:

- * Vyvarujte sa príliš dlhej dobe hrania.
- * Po každej hodine hry si dajte 10 až 15 minútovú prestávku.
- * Ak pocítite únavu alebo bolesť v rukách, zápästiach, ramenách, chodidlách alebo nohách, prestaňte hrať a na niekoľko hodín si oddýchnite, než začnete hrať znova.
- * Ak príznaky alebo bolesť pretrvávajú aj pri ďalšom hraní, prestaňte hrať a poraďte sa so svojim lekárom.
- * Uchovávajte mimo dosahu detí.
- * Počas hry vždy nechajte obe ruky správne položené na volante bez toho, aby ste sa úplne pustili.
- * Počas hrania nikdy nedávajte ruky alebo prsty pod pedále ani nikde blízko pedálovej súpravy.
- * Počas kalibrácie a hry nikdy nedávajte ruku ani dlaň do otvorov v pretekárskom volante.
- * Uistite sa, že je základňa pretekárskeho volantu správne zaistená podľa pokynov v tejto príručke.

ŤAŽKÝ PRODUKT



S produktom môžu manipulovať iba používatelia starší ako 16 rokov



Dajte pozor, aby ste produkt nezhodili na seba alebo na niekoho iného!

VŽDY



NIKDY



NIKDY



Varovanie - Nebezpečenstvo privretia do pedálov pri hraní

- * Pedále uchovávajúte mimo dosahu detí.
- * Počas hrania nikdy nedávajte prsty na boky pedálov alebo do ich blízkosti.
- * Počas hrania nikdy nedávajte prsty na zadnú základňu pedálov alebo do jej blízkosti.
- * Počas hrania nikdy nedávajte prsty na prednú základňu pedálov alebo do jej blízkosti.

NIKDY



NIKDY



NIKDY



Varovanie - Nebezpečenstvo privretia do pedálov mimo hrania

- * Súpravu pedálov uložte na bezpečnom mieste a uchovávajúte ju mimo dosahu detí.

AKTUALIZÁCIA FIRMVÉRU PRETEKÁRSKEHO VOLANTU

Firmvér obsiahnutý v základni Vášho pretekárskeho volantu je možné aktualizovať na novšiu verziu s vylepšeniami produktu.

Ak chcete zobraziť verziu firmvéru, ktorú aktuálne používa Váš pretekársky volant, a podľa potreby ju aktualizovať: na PC navštívte stránku <https://support.thrustmaster.com>. Kliknite na **Racing Wheels / T-GT II**, potom vyberte **Firmware** a postupujte podľa pokynov popisujúcich postup sťahovania a inštalácie.

Dôležitá poznámka:

Na PC, posuvný spínač USB (11) musí byť na základni pretekárskeho volantu vždy nastavený do polohy „OTHER“.

INŠTALÁCIA VOLANTU NA JEHO ZÁKLADŇU

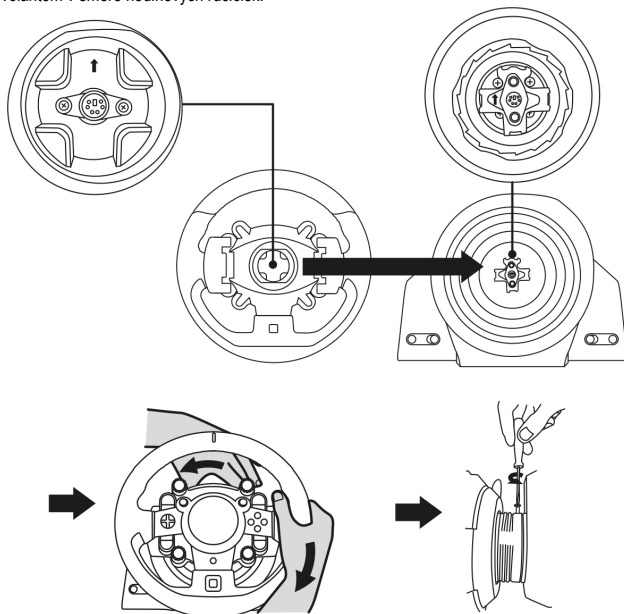
Zarovnajete polohy konektorov pomocou šípok:

Konektor základne (1): Šípka smerujúca nahor

Konektor pretekárskeho volantu (2): Šípka smerujúca nahor

Keď sú konektory správne umiestnené, jednoducho otočte krúžkom zariadenia Thrustmaster Quick Release (15) proti smeru hodinových ručičiek, zatiaľ čo držíte pretekársky volant (2) v danej polohe.

Potom krúžok čo najviac utiahnite: urobte to tak, že krúžok pridržíte na mieste a otočíte pretekárskym volantom v smere hodinových ručičiek.



Po nainštalovaní volantu ho otočte o 180° (ak sa pozriete na volant, logo GT by malo byť hore nohami), aby ste mali prístup k malej upevňovacej skrutke umiestnenej na krúžku zariadenia Thrustmaster Quick Release (15). Pomocou veľkého križového skrutkovača utiahnite malú upevňovaciu skrutku (nepoužívajte nadmernú silu) otáčaním v smere hodinových ručičiek.

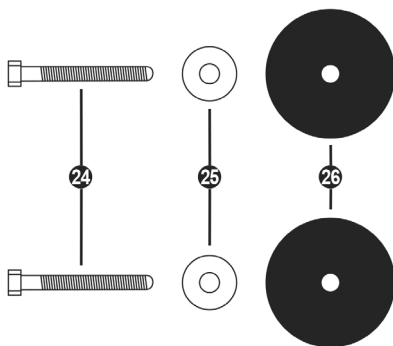


Pri použití skrutkovača Philips sa uistite, že **NEPOUŽÍVATE** nadmernú silu pri doťahovaní malej upevňovacej skrutky!

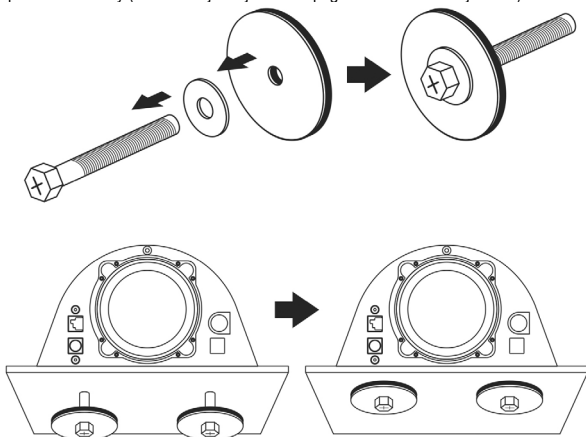
Prestaňte otáčať skrutkou ihneď, ako pocítite určitý odpor.

PRIPOJENIE PRETEKÁRSKEHO VOLANTU

Pripevnenie základne pretekárskeho volantu ku kokpitu



- 24 2 M6 skrutky so šesťhrannou hlavou/križové skrutky
25 2 podložky
26 2 upevňovacie disky (kovové na jednej strane a pogumované na druhej strane)



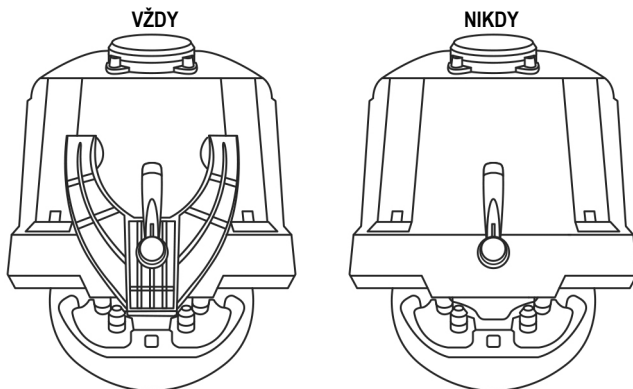
1. Umiestnite podložky (25) na kovové strany montážnych diskov (26) a vložte skrutky M6 so šesťhrannou hlavou/križové skrutky (24).
2. Umiestnite základňu pretekárskeho volantu na policu kokpitu.
3. Pomocou 10 mm kľúča alebo križového skrutkovača zaskrutkujte montážnu sadu kokpitu do police kokpitu a do 2 malých závitov skrutiek umiestnených na spodnej strane volantu.

UPOZORNENIE:

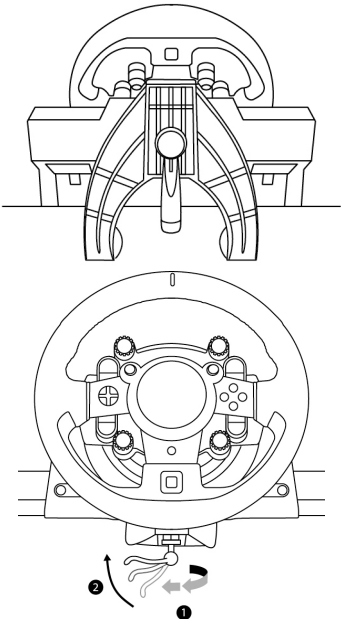
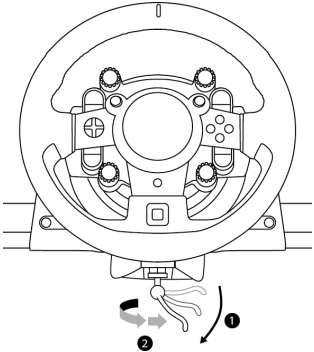
- Neodstraňujte penové podložky umiestnené na spodnej strane základne pretekárskeho volantu! Penové podložky zosilňujú účinky systému T-DFB, keď je pripevnený volant.
- Textúrovaná gumová strana upevňovacích diskov (26) musí byť bezpodmienečne otočená smerom k poličke kokpitu = nikdy nepokladajte kovovú stranu smerom k poličke kokpitu.

Pripevnenie základne pretekárskeho volantu ku stolu alebo k inému povrchu

1. Položte pretekársky volant na stôl alebo na akýkoľvek iný vodorovný, rovný a stabilný povrch.
2. Vložte upevňovaciu skrutku (14) do systému uchytenia (13), potom zariadenie utiahnite otáčaním skrutky proti smeru hodinových ručičiek tak, aby sa napojila do veľkého otvoru so závitom (12) umiestneného pod pretekárskym volantom, až kým nebude volant dokonale stabilný.

**UPOZORNENIE:**

- Skrutku nikdy neuťahujte samostatne, ak nie je pripevnený upevňovací systém (pretekársky volant by sa mohol poškodiť).
- Neodstraňujte penové podložky umiestnené na spodnej strane základne pretekárskeho volantu! Penové podložky zosilňujú účinky systému T-DFB, keď je volant pripevnený.

PRIPOJENIE / ODPOJENIE	SMER
<p>Pre utiahnutie:</p> <p><i>Otočte skrutku proti smeru hodinových ručičiek</i></p>	
<p>Pre uvoľnenie:</p> <p><i>Otočte skrutku v smere hodinových ručičiek</i></p>	

NASTAVENIE PRETEKÁRSKEHO VOLANTU PRE KONZOLY PS5™ A KONZOLY PS4™

1. Pripojte sadu pedálov k jej konektoru (19) umiestnenému v zadnej časti základne pretekárskeho volantu.
2. Pripojte napájací zdroj T-TURBO (21) ku konektoru (17).
3. Pripojte napájací kábel (22) k napájaciemu zdroju T-TURBO a zapojte kábel do elektrickej zásuvky s rovnakým napätím.
4. Nastavte prepínač USB (11) do polohy „OTHER“ alebo „GT“ v závislosti od hry na PS5™ alebo hry na PS4™, ktorú práve používate.
5. Pripojte odnímateľný kábel USB (23) k jeho konektoru (18) a k jednému z portov USB na konzole PS5™ alebo konzole PS4™.
6. Po zapnutí konzoly PS5™ alebo konzoly PS4™ sa Váš pretekársky volant sám skalibruje.
7. Na pretekárskom volante stlačte tlačidlo PS (9) a prihláste sa do svojho účtu PlayStation™Network, aby bol Váš volant funkčný.

Teraz môžete hrať!

Dôležité poznámky:

- Nezabudnite stlačiť tlačidlo PS (9) na pretekárskom volante, aby bol Váš volant funkčný.
- Pred pripojením kábla USB pretekárskeho volantu k Vašej konzole, musí byť posuvný prepínač USB (11) na základni volantu vždy nastavený do správnej polohy („OTHER“ alebo „GT“).
- Pre zmenu polohy posuvného prepínača: odpojte kábel USB a potom prepnite prepínač do príslušnej polohy ešte predtým, ako pripojíte kábel USB ku konzole.
- Zoznam hier na PlayStation®5 a hier na PlayStation®4 kompatibilných s T-GT II (spolu s požadovanou pozíciou pre USB posuvný prepínač (11) podľa hry, ktorú používate) je k dispozícii tu: <https://support.thrustmaster.com> (v časti Racing Wheels/T-GT II). Tento zoznam je pravidelne aktualizovaný.

POSUVNÝ PREPÍNAČ USB (11) V POZÍCIÍ „OTHER“ PRE PS5™ HRY A PS4™ HRY OKREM GT SPORT

Keď je posuvný prepínač USB (11) nastavený do polohy „OTHER“:

* Systém Force Feedback je funkčný, ale efektový systém T-DFB (16) nie.

POSUVNÝ PREPÍNAČ USB (11) V POLOHE „GT“ PRE HRU GT SPORT (A ĎALŠIE BUDÚCE GT HRY)

Keď je posuvný prepínač USB (11) nastavený do polohy „GT“:

* Systém Force Feedback a efektový systém T-DFB (16) sú funkčné naraz. V možnostiach hry GT Sport je možné nastaviť úroveň výkonu každého systému nezávisle.

NASTAVENIE PRETEKÁRSKEHO VOLANTU PRE PC*

*Kompatibilita s PC nie je schválená spoločnosťami Sony Interactive Entertainment Europe a Sony Interactive Entertainment LLC.

Pre viac informácií navštívte <https://support.thrustmaster.com>.

AUTOMATICKÁ KALIBRÁCIA PRETEKÁRSKEHO VOLANTU A PEDÁLOVEJ SADY

Volant sa automaticky skalibruje, keď zapojíte pretekársky volant do elektrickej zásuvky a pripojíte USB konektor pretekárskeho volantu ku konzole.

Počas tejto fázy sa pretekársky volant bude rýchlo otáčať smerom doľava a doprava a pokrývať uhol 1080 stupňov. Potom sa zastaví v strede.



UPOZORNENIE:

Počas fázy autokalibrácie sa nikdy nedotýkajte pretekárskeho volantu!
(Mohlo by to mať za následok nesprávnu kalibráciu a/alebo zranenie osôb.)

AUTOMATICKÁ KALIBRÁCIA SADY PEDÁLOV

Nikdy nepripájajte pedálovú sadu k základni pretekárskeho volantu (ani ho neodpájajte od základne), keď je pripojený ku konzole alebo počas hry (mohlo by to mať za následok nesprávnu kalibráciu).

Pred pripojením pretekárskeho volantu ku konzole vždy pripojte sadu pedálov.

Po dokončení kalibrácie pretekárskeho volantu a spustení hry sa pedále po niekoľkých stlačeniach automaticky nakalibrujú.



UPOZORNENIE:

Nikdy nestláčajte pedále
počas fázy autokalibrácie alebo počas načítania hry!
(Môže to mať za následok nesprávnu kalibráciu.)

Ak Váš pretekársky volant a/alebo pedálová sada nepracujú správne alebo sa zdajú byť nesprávne kalibrované:

Vypnite konzolu a úplne odpojte pretekársky volant. Potom znova pripojte všetky káble (vrátane napájacieho kábla a sady pedálov) a reštartujte Vašu konzolu a hru.

VNÚTORNÝ CHLADIACI SYSTÉM PRE ZÁKLADŇU VOLANTU

Vnútorný chladiaci systém pre základňu volantu

- začne pracovať, keď sa volant zapne.
- vypne sa po niekoľkých minútach nečinnosti, keď sa vnútorná teplota ochladí na nízku úroveň.
- znovu sa zapne, keď použijete volant.

TLAČIDLO MODE A KONTROLKA (10)

Tlačidlo MODE pre sadu pedálov

Elektronicky môžete medzi sebou zameniť plynový pedál a spojkový pedál.

Stačí stlačiť na 2 sekundy tlačidlo MODE (10).

Interná pamäť pretekárskeho volantu ukladá, či boli pedále zamenené alebo nie.

PEDÁLY PLYNU A SPOJKY	Farba kontrolky MODE (10)
NORMÁLNE	ČERVENÁ
ZAMENENÉ	ZELENÁ

Ďalšie informácie týkajúce sa tlačidla MODE

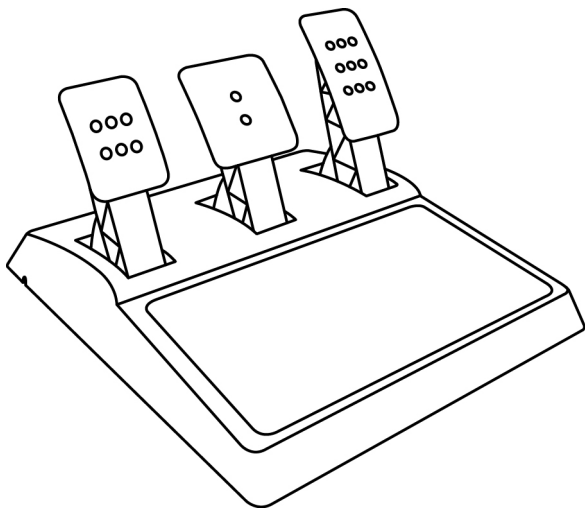
Ak sa chcete dozvedieť viac informácií o tlačidle a kontrolke MODE, navštívte prosím stránku

<https://support.thrustmaster.com>. Kliknite na **Racing Wheels/T-GT II**, a potom vyberte **Manual** alebo **FAQ**.

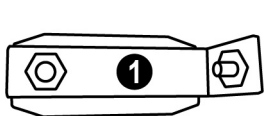
POMOCNÉ SÚBORY A ČASTO KLADENÉ OTÁZKY

Prosím navštívte <https://support.thrustmaster.com>. Kliknite na **Racing Wheels/T-GT II**, a potom vyberte **Manual** alebo **FAQ**.

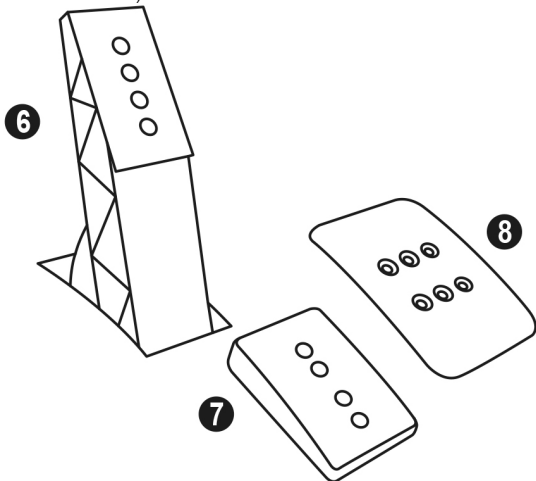
PEDÁLOVÁ SADA **T-GT II EDITION**



TECHNICKÉ ŠPECIFIKÁCIE



- 1 Kovová podpera pre kužeľovitú zarážku
(predvolene nie je nainštalovaná)
- 2 Kužeľovitá zarážka
- 3 Upevňovacia skrutka pre kovovú podperu
(predvolene nenainštalovaná)
- 4 2.5 mm inbusový kľúč (súčasť balenia)
- 5 Nastavovacia matica pre kužeľovitú zarážku



- 6 Kovové rameno pedálu
- 7 Plastová podpera vrchnej časti
- 8 Kovová vrchná časť pedálu

UPOZORNENIE

Pred použitím tohto produktu si pozorne prečítajte tento návod a odložte si ho pre neskoršie použitie.



Z bezpečnostných dôvodov nikdy nepoužívajte sadu pedálov s bosými nohami alebo ak máte na nohách obuté iba ponožky.

THRUSTMASTER® SA ZRIEKA VŠETKEJ ZODPOVEDNOSTI V PRÍPADE ZRANENIA V SÚVISLOSTI S POUŽITÍM SADY PEDÁLOV BEZ OBUVI.



Varovanie - Nebezpečenstvo privretia do pedálovej súpravy počas hrania hier

- * Pedálovú sadu udržiajte mimo dosahu detí.
- * Počas hrania nikdy nedávajte prsty alebo palce na boky pedálov alebo do ich blízkosti.
- * Počas hrania nikdy nedávajte prsty alebo palce na zadnú základňu pedálov alebo do jej blízkosti.
- * Počas hrania nikdy nedávajte prsty alebo palce na prednú základňu pedálov alebo do jej blízkosti.

NIKDY



NIKDY



NIKDY



AUTOMATICKÁ KALIBRÁCIA PEDÁLOV



DŮLEŽITÉ:

- Aby ste sa vyhli problémom s kalibráciou, nikdy nepripájajte ani neodpájajte pedálovú sadu od základne volantu, keď je volant pripojený ku konzole PS5™ alebo konzole PS4™ alebo k PC alebo počas hrania.
- Vždy najprv pripojte pedálovú sadu k volantu pred tým, ako pripojíte volant ku konzole PS5™ alebo konzole PS4™ alebo k PC.
- Len čo sa volant skalibruje a hra sa spustí, pedále sa po niekoľkých stlačeniach automaticky skalibrujú.
- Nikdy nestláčajte pedále, keď sa volant kalibruje alebo keď sa hra rozbieha, aby ste predišli problémom s kalibráciou.
- Ak pedále nefungujú správne alebo sa javia ako nesprávne kalibrované, vypnite systém, úplne odpojte volant, potom znova pripojte všetky káble (vrátane napájacieho kábla a kábla sady pedálov), znovu zapnite systém a reštartujte hru.

PRIPOJENIE PREDÁLOVEJ SADY KU KOKPITU

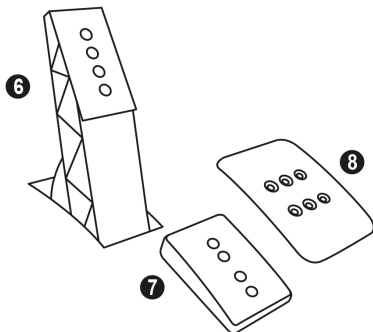
- Pripojte sadu pedálov pomocou malých skrutkových závitov umiestnených na spodnej strane sady pedálov.
- Zaskrutkujte dve skrutky M6 (nie sú súčasťou balenia) do podpornej dosky pedálu kokpitu a do dvoch malých závitov skrutiek umiestnených na spodnej strane sady pedálov.

Dôležité: Dĺžka dvoch skrutiek M6 nesmie prekročiť hrúbku podpornej dosky pedálu kokpitu plus ďalších 10 mm, aby nedošlo k poškodeniu vnútorných komponentov sady pedálov.

NASTAVENIE SADY PEDÁLOV

Každý z troch pedálov obsahuje:

- Kovovú hlavu (8) s viacerými perforáciami (deväť pre plynový pedál - dve pre brzdú - šesť pre spojku).
- Plastovú podperu vrchnej časti (7) (umiestnená medzi vrchom a ramenom pedálu) so štyrmi perforáciami.
- Kovové rameno pedála (6) so štyrmi perforáciami.

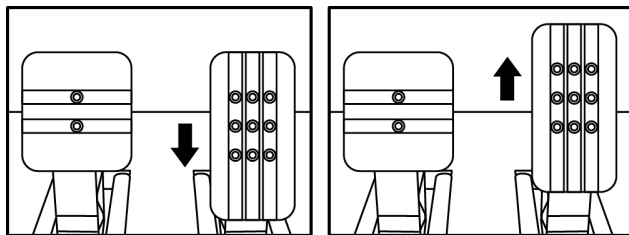


UPOZORNENIE: Aby ste sa vyhlí problémom s kalibráciou, pred vykonaním akýchkoľvek úprav na pedálovej sade, vždy odpojte kábel USB Vášho volantu od konzoly PS5™ alebo konzoly PS4™.

Nastavenie VÝŠKY 3 pedálov

- Pomocou dodávaného 2,5 mm imbusového kľúča (4) odskrutkujte dve skrutky držiace kovovú hlavu (8) a jej podperu (7) na mieste.
- Vybte preferovanú výškovú polohu, potom zaskrutkujte a znovu utiahnite skrutky tak, aby kovová hlava (8) a jej podpera (7) pevne držali na svojom mieste.

Príklady ilustrujúce plynový pedál:



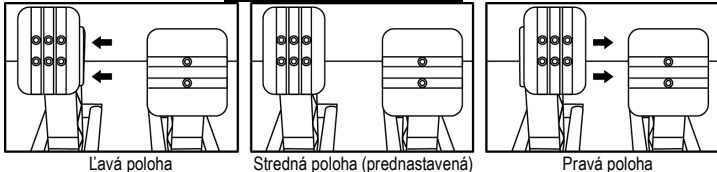
Nízka pozícia

Vysoká pozícia

Nastavenie ROZOSTUPU pedála plynu a pedálu spojky

- Pomocou dodávaného 2,5 mm imbusového kľúča (4) odskrutkujte dve skrutky držiace kovovú hlavu (8) a jej podperu (7) na mieste.
- Vyberte si preferovanú polohu (doľava, do stredu alebo doprava), potom zaskrutkujte a znova utiahnite skrutky tak, aby kovová hlava (8) a jej podpera (7) pevne držali na svojom mieste.

Príklady ilustrujúce spojkový pedál:



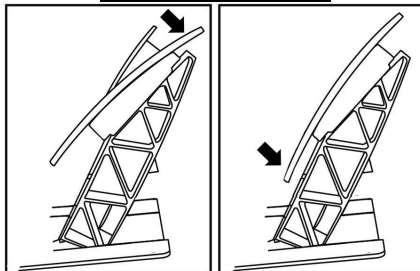
Počet možných rozstupov na pedál:

- Tri pre plynový pedál
- Tri pre spojkový pedál

Nastavenie SKLONU 3 pedálov

- Pomocou dodávaného 2,5 mm imbusového kľúča (4) odskrutkujte dve skrutky držiace kovovú vrchnú časť (8) a jej podperu (7) na mieste.
- Otočte plastovú podperu hlavy (7) o 180°, potom zaskrutkujte a znova utiahnite skrutky tak, aby kovová vrchná časť (8) a jej podpera (7) pevne držali na svojom mieste.

Príklady ilustrujúce plynový pedál:



Menej sklonená poloha Viac sklonená poloha (prednastavená)

Počet možných polôh sklonu na pedál:

- Dva pre plynový pedál
- Dva pre brzdový pedál
- Dva pre spojkový pedál

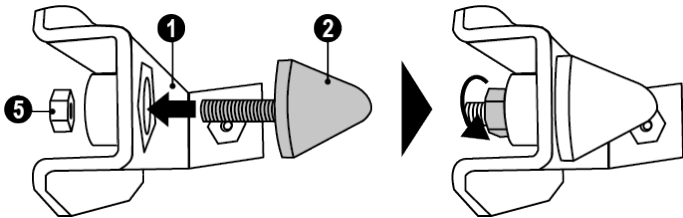
Inštalácia kužeľovitej zarážky (režim „CONICAL RUBBER BRAKE“)

Táto modifikácia (alebo „mod“) nie je potrebná a nie je nainštalovaná predvolene. To znamená, že brzdový pedál funguje perfektne, aj keď mod nie je nainštalovaný.

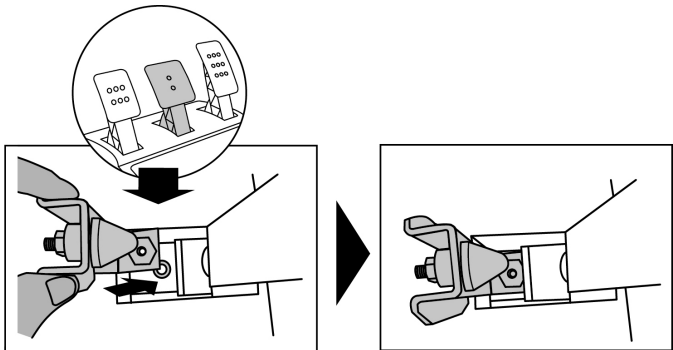
Tento režim umožňuje zažiť iný pocit a odpor pri brzdení.

Je na Vás, či si ho nainštalujete alebo nie, v závislosti od Vašich vlastných preferencií.

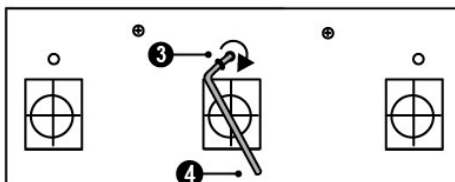
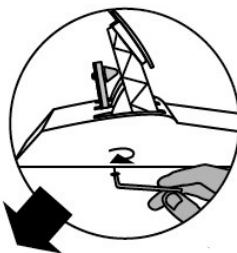
- Kužeľovitú zarážku (2) naskrutkujte na jej kovovú podperu (1).
- Maticu pre nastavenie polohy (5) naskrutkujte naspodok (na skrutkový závit kužeľovitej zarážky).



- Umiestnite diel na zadnú časť ramena brzdového pedála.



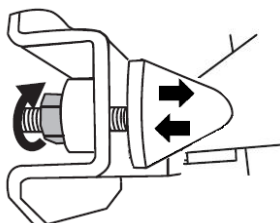
- Pomocou dodávaného 2,5 mm imbusového kľúča (4) pripevnite diel pomocou upevňovacej skrutky (3) a malého stredového závitú skrutky umiestneného na spodnej strane sady pedálov.



Mód "CONICAL RUBBER BRAKE" je teraz nainštalovaný!

Nastavenie ROZSAHU dráhy a SILY odporu brzdového pedálu

Miernym odskrutkovaním matice (5) môžete ďalej posilniť odpor brzdového pedálu posunutím kužeľovitej zarážky (2) bližšie k zadnej časti ramena pedálu (v prípade potreby použite 14 mm kľúč alebo kliešte pre dotiahnutie matice a udržanie zvolenej polohy). Čím bližšie je kužeľovitá zarážka umiestnená k zadnej časti ramena pedálu, tým väčšia bude sila odporu.



Poznámka: Ak je kužeľovitá zarážka veľmi blízko zadnej časti ramena brzdového pedálu, môžu sa vyskytnúť ťažkosti pri dosahovaní maximálnej kalibračnej hodnoty. Ak to tak je:

- * **Pomaly** a zároveň veľmi silno stlačte brzdový pedál, aby ste dosiahli maximálnu hodnotu (ak je to potrebné, na pedál sa **veľmi krátko** postavte - len na sekundu), potom uvoľnite tlak; alebo aj
- * Posuňte kužeľovitú zarážku trochu ďalej od zadnej časti ramena brzdového pedála.

INFORMÁCIE O ZÁRUKU

Celosvetovo, spoločnosť Guillemot Corporation S.A., ktorej sídlo sa nachádza na adrese Place du Granier, B.P. 97143, 35571 Chantepie, Francúzsko (ďalej len "Guillemot") zaručuje spotrebiteľovi, že počas záručnej doby, ktorá je zhodná s časovým limitom na podanie reklamácie na tento produkt, tento Thrustmaster produkt nemá materiálne chyby ani výrobné chyby.

V krajinách Európskej únie záručná doba zodpovedá obdobiu dvoch (2) rokov od dodania produktu Thrustmaster. V iných krajinách zodpovedá záručná doba lehote pre podanie reklamácie na produkt Thrustmaster podľa platných zákonov krajiny, v ktorej mal spotrebiteľ bydlisko k dátumu kúpy produktu Thrustmaster (ak takýto zákon v príslušnej krajine neexistuje, potom je záručná doba jeden (1) rok od pôvodného dátumu zakúpenia produktu Thrustmaster).

Bez ohľadu na vyššie uvedené, sa na nabíjateľné batérie vzťahuje záručná doba šiestich (6) mesiacov od dátumu nákupu.

Ak počas záručnej doby dôjde na produkte ku chybe, okamžite kontaktujte Technickú podporu, ktorá Vám oznámi ďalší postup. Ak je chyba potvrdená, produkt musí byť vrátený v mieste jeho nákupu (alebo na inom mieste uvedenom Technickou podporou).

V kontexte tejto záruky má Technická podpora možnosť rozhodnúť, či bude chybný produkt spotrebiteľa buď vymenený alebo opravený do funkčného stavu. Ak v priebehu záručnej doby podlieha produkt Thrustmaster takejto oprave, každá doba najmenej siedmich (7) dní, počas ktorých je výrobok nepoužiteľný, bude doplnená do zostávajúcej záručnej doby (toto obdobie začína plynúť od dátumu žiadosti spotrebiteľa alebo dátumom, kedy je daný výrobok dodaný na opravu, ak je dátum, kedy je výrobok dodaný na opravu po dátume podania žiadosti). Ak to umožňujú platné právne predpisy, plná zodpovednosť spoločnosti Guillemot a jej dcérskych spoločností (vrátane následných škôd) je obmedzená na návrat produktu do funkčného stavu alebo na výmenu produktu Thrustmaster. Ak to dovoľuje platné právo, spoločnosť Guillemot neposkytuje záruku obchodovateľnosti a spôsobilosti pre určité použitie.

Táto záruka sa nevzťahuje na: 1. ak bol výrobok opravený, otvorený, pozmenený alebo poškodený v dôsledku nevhodného alebo hrubého používania, nedbanlivosti, nehody, bežného opotrebenia, alebo akejkolvek inej príčiny nesúvisiacej s materiálnoú alebo výrobnou chybou (vrátane, nie však výlučne, kombinácie výrobku Thrustmaster s akýmkoľvek nevhodným prvkom, vrátane napájacích zdrojov, nabíjateľných batérií, nabíjačiek, alebo iných prvkov, ktoré Guillemot nedodáva pre tento výrobok); (2) ak bol výrobok použitý na akékoľvek iné použitie ako na domáce použitie, a to aj na profesionálne, alebo komerčné účely (napríklad herne, školenia, súťaže); (3) v prípade nedodržania pokynov poskytnutých Technickou podporou; (4) softvér, pričom uvedený softvér podlieha osobitnej záruke; (5) spotrebné materiály (prvky, ktoré sa majú vymeniť počas životnosti výrobku: napríklad jednorazové batérie, zvukové súpravy alebo slúchadlá); (6) na príslušenstvo (napríklad káble, puzdρά, vrecká, tašky, popruhy na zápästie); (7) ak bol výrobok predaný vo verejnej dražbe.

Táto záruka nie je prenosná.

Zákonné práva spotrebiteľa, pokiaľ ide o zákony platné pre predaj spotrebného tovaru v jeho alebo jej krajine, nie sú touto zárukou ovplyvnené.

Ďalšie záručné ustanovenia

Počas záručnej lehoty, Guillemot neposkytuje žiadne náhradné diely, vzhľadom na skutočnosť, že Technická podpora je jediná strana oprávnená otvoriť a/alebo opraviť akýkoľvek Thrustmaster produkt (Výnimkou je prípadné požiadanie Technickej podpory o nasledovanie písomných pokynov na opravy, ktoré má vykonať užívateľ - napríklad pre ich jednoduchosť a dostupné opravné postupy – a v prípade potreby dodanie náhradných dielov užívateľovi).

Kvôli inovačným cyklom a vzhľadom na ochranu know-how a obchodného tajomstva spoločnosti, Guillemot neposkytuje opravné postupy alebo náhradné diely na Thrustmaster produkty po uplynutí ich záručnej lehoty.

Zodpovednosť

Ak to dovoľujú platné zákony, spoločnosť Guillemot Corporation S.A. (ďalej len "Guillemot") a jej dcérske spoločnosti nenesú žiadnu zodpovednosť za akékoľvek škody spôsobené jedným alebo viacerými z nasledujúcich prípadov: 1. výrobok bol upravený, otvorený alebo pozmenený; (2) nedodržali sa montážne inštrukcie; (3) nevhodné alebo hrubé používanie, nedbalosť, nehoda (napríklad náraz); (4) bežné opotrebenie; (5) používanie výrobku na akékoľvek iné použitie ako na domáce použitie, a to aj na profesionálne, alebo komerčné účely (napríklad herne, školenia, súťaže). Ak to dovoľujú platné zákony, spoločnosť Guillemot a jej dcérske spoločnosti nenesú žiadnu zodpovednosť za akékoľvek škody, ktoré nesúvisia s materiálnou alebo výrobnou vadou vo vzťahu k výrobku (vrátane, nie však výlučne, za akékoľvek škody spôsobené priamo alebo nepriamo akýmkoľvek softvérom, alebo kombinácie výrobku Thrustmaster s akýmkoľvek nevhodným prvkom, vrátane napájacích zdrojov, nabíjateľných batérií, nabíjačiek alebo iných prvkov, ktoré Guillemot nedodáva pre tento výrobok).

THRUSTMASTER®

TECHNICKÁ PODPORA

<https://support.thrustmaster.com>



AUTORSKÉ PRÁVA

©2021 Guillemot Corporation S.A. Všetky práva vyhradené. Thrustmaster® je registrovaná ochranná známka spoločnosti Guillemot Corporation S.A. Vyrába a distribuuje ju spoločnosť Guillemot Corporation S.A. Všetky ostatné ochranné známky a názvy značiek sa týmto uznávajú a sú majetkom ich príslušných vlastníkov. Obsah, dizajn a technické parametre sa môžu zmeniť bez predchádzajúceho upozornenia a môžu sa v jednotlivých krajinách líšiť. Fotografie a ilustrácie nie sú záväzné. Navrhnuté v Severnej Amerike a Európe, vyrobené v Číne.

Pre použitie výhradne s konzolami PlayStation®5 a konzolami PlayStation®4.

„B“, „PlayStation“, „PS5“ a „PS4“ sú registrované ochranné známky alebo ochranné známky spoločnosti Sony Interactive Entertainment Inc. Všetky práva vyhradené. Všetky ostatné ochranné známky sú majetkom príslušných vlastníkov. Vyrobené a distribuované na základe licencie od spoločnosti Sony Interactive Entertainment Inc.

Gran Turismo a logo Gran Turismo sú registrované ochranné známky alebo ochranné známky spoločnosti Sony Interactive Entertainment Inc.

Technológia TouchSense® licencovaná spoločnosťou Immersion Software Ireland Limited. Chráni ju jeden alebo viac amerických patentov, ktoré nájdete na nasledujúcej adrese: www.immersion.com/patent-marking.html a ďalšie patenty čakajúce na schválenie.

ODPORÚČANIE PRE OCHRANU ŽIVOTNÉHO PROSTREDIA



- * V Európskej únii, V UK a Turecku: Na konci svojej životnosti by sa nemal tento produkt vyhodiť s bežným domovým odpadom, ale mal by byť odovzdaný na recykláciu v zbernom mieste na likvidáciu odpadu z elektrických a elektronických zariadení. (WEEE). Potvrdzujúci symbol o recyklácii nájdete na produkte, na návode na použitie alebo na obale. V závislosti od ich vlastností, môžu byť materiály recyklované. Prostredníctvom recyklácie a iných foriem spracovania odpadu z elektrických a elektronických zariadení môžete významne prispieť k ochrane životného prostredia. Pre získanie informácie o pre vás najbližšom možnom mieste odovzdania, kontaktujte miestne orgány.

Pre všetky ostatné krajiny: Dodržujte miestne zákony o recyklácii elektrických a elektronických zariadení.

Ponechajte si tieto informácie. Farby a ozdobnosť sa môžu líšiť.

Plastové spony a lepiace pásky by sa mali z výrobku pred jeho použitím odstrániť.

www.thrustmaster.com

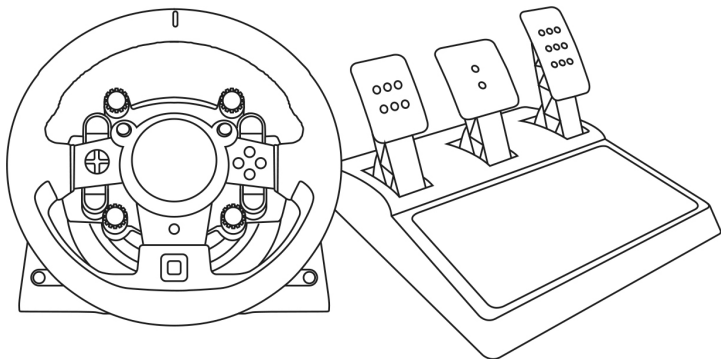
**Použiteľné pre EÚ, UK a Turecko*



T-GT II

PlayStation®5 konzolokhoz és PlayStation®4 konzolokhoz

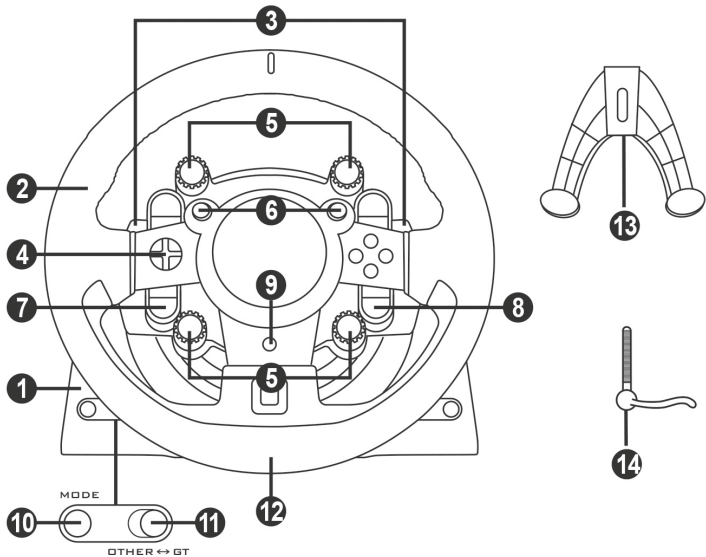
Használati Útmutató

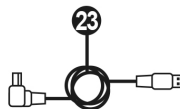
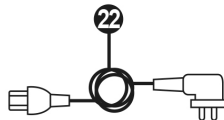
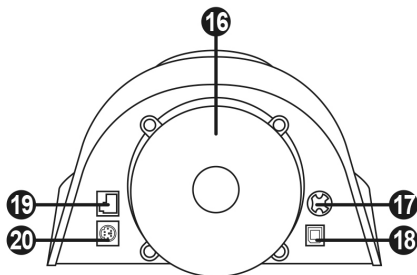
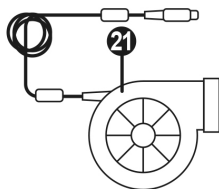
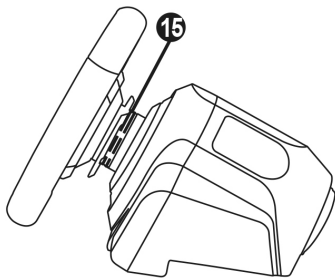


FIGYELMEZTETÉS:

Ahhoz, hogy a T-GT II versenykormány funkciói megfelelően működjenek a játékban, szükséges lehet a játék automatikus frissítéseinek a telepítése *(elérhető, ha a konzol az Internethez van csatlakoztatva)*.

MŰSZAKI LEÍRÁS





- | | |
|---|---|
| 15 Thrustmaster Quick Release (Gyorskioldó) | 20 TH8A sebességváltó csatlakozó (sebváltó külön kapható) |
| 16 T-DFB hatásrendszer (csak PS5™ konzolokkal és PS4™ konzolokkal kompatibilis GT módban) | 21 T-TURBO tápegység |
| 17 T-TURBO tápegység csatlakozó | 22 Áramkábel |
| 18 Eltávolítható USB kábel csatlakozó | 23 Eltávolítható USB kábel |
| 19 Pedálszett csatlakozó | |

A KORMÁNY KONNEKTORHOZ CSATLAKOZTATÁSA: FIGYELMESEN OLVASSA EL!



Soha ne csatlakoztassa a T-TURBO tápegységet egy nem megfelelő elektromos feszültségű konnektorba! A T-TURBO tápegység feszültségét az áramkábel befogadó oldalán lévő címkén tudja ellenőrizni.



Soha ne csatlakoztasson a T-TURBO tápegységen kívül, más tápegységet a T-GT II alaphoz, akkor se, ha a csatlakozó kompatibilis! Például soha ne csatlakoztassa a T500 RS kormány átalakítóját a T-GT II alaphoz.

FIGYELMEZTETÉS

Használat előtt figyelmesen olvassa el az útmutatót és tartsa meg későbbi használatra.



Figyelmeztetés – Elektromos Áramütés

- * Tartsa a terméket száraz helyen és ne tegye ki pornak vagy napfénynek.
- * Ne csavarja vagy húzza meg a csatlakozót és kábelt.
- * A termék vagy a csatlakozója ne érintkezzen folyadékkal.
- * Ne zárja rövidre a terméket.
- * Ne szerelje szét a terméket; ne dobja bele tűzbe és ne tegye ki magas hőmérsékletnek.
- * Csak a versenykormányhoz tartozó áramkábel használja.
- * Ne használja az áramkábel, ha a kábel vagy a csatlakozók sérültek, szakadtak vagy töröttek.
- * Győződjön meg róla, hogy az áramkábel megfelelő módon van bedugva a konnektorba és megfelelő módon csatlakozik a versenykormány hátulján található csatlakozóba.
- * Ne nyissa fel a versenykormányt: semmilyen a felhasználó által javítható alkatrész nincs benne. Csak a gyártó, a meghatalmazott képviselő és szakképzett technikus javíthatja a terméket.
- * Kizárólag a gyártó által megjelölt rögzítőrendszert/kiegészítőt használja.
- * Amennyiben a versenykormány működésében hibát észlel (ha a megszokottól eltérő a hangja, a hőmérséklete vagy a szaga), azonnal hagyja abba a használatát, húzza ki az áramkábel a konnektorból és az egyéb kábeleket az eszközből.
- * Amennyiben a versenykormányt hosszabb ideig nem használja, húzza ki az áramkábel a konnektorból.
- * A konnektor legyen a felszerelés közelében, könnyen hozzáférhető helyen.

Tájékoztató 220V-os tápegység átalakítóhoz

Információ	Érték	Egység
A gyártó neve vagy védjegye, cégjegyzékszám és címe	GUILLEMOT CORPORATION S.A. 414 196 758 Rennes Place du Granier BP 97143 35571 Chantepie Cedex Franciaország	
Modellazonosító	Turbo Power 220V	
Bemeneti feszültség	220 - 240	V
Bemenő váltóáram frekvencia	50 / 60	Hz
Kimeneti feszültség	24,0	V AC
Kimeneti áramerősség	4,0	A
Kimeneti teljesítmény	96,0	W
Aktív üzemmódban mért átlagos hatásfok	90,9	%
Hatásfok alacsony terhelésnél (10 %)	86,8	%
Üresjárati üzemmódban fellépő energiafogyasztás	0,01	W



Szellőzés

Győződjön meg róla, hogy semmi nem gátolja a versenykormány alapjának a szellőzését. A megfelelő szellőzés érdekében tegye a következőket:

- * Helyezze a kormány alapját legalább 10 cm-re a falfelülettől.
- * Ne tegye az alapot szűk helyre.
- * Ne fedje le az alapot.
- * Ne kerüljön por a szellőzőnyílásokba.



Biztonsági okokból, soha ne használja a pedálokat mezítláb vagy csak zokni viselve.

A THRUSTMASTER® SEMMILYEN SÉRÜLÉSÉRT NEM VÁLLAL FELELŐSÉGET, AMI A PEDÁLOK CIPŐ NÉLKÜLI HASZNÁLATÁBÓL ERED.



Figyelmeztetés – Az ismétlődő mozdulatokból és az erővisszacsatolásból adódó sérülések

Force Feedbackkel működő versenykormány használata izom vagy ízületi fájdalmakhoz vezethet. Hogy ezt elkerülje:

- * Ne játsszon túl sokáig egyszerre.
- * Tartson minden játékkal töltött óra után 10-15 perc szünetet.
- * Ha fáradtságot vagy bármilyen fájdalmat érez a kézfejében, csuklójában, lábfejében vagy lábában, hagyja abba a játékot és pihenjen pár órát az új játék megkezdése előtt.
- * Ha a fent említett tünetek vagy fájdalom újra jelentkeznek játék közben, hagyja abba és keresse fel orvosát.
- * Tartsa gyermekektől távol.
- * Játék közben, mindig tartsa mind a két kezét a kormányom a megfelelő helyen, anélkül, hogy teljesen elengedné.
- * Játék közben, soha ne tegye a kezét vagy ujjait a pedálok alá vagy a pedálok közelébe.
- * Kalibrálás és játék közben, soha ne tegye a kezét vagy karját a versenykormány nyílásaiba.
- * Győződjön meg róla, hogy az alábbi útmutató utasításainak megfelelően van az alap rögzítve.

NEHÉZ TERMÉK



A terméket csak 16 éves vagy annál idősebb játékos használhatja



Ne ejtse a terméket magára vagy másokra!

HÉLYES



HIBÁS



HIBÁS



Figyelmeztetés – A pedálok becsipődést okozhatnak játék közben

- * A pedálszettet tartsa gyermekektől távol.
- * Játék közben, soha ne helyezze az ujjait a pedálok oldalára vagy az oldal közelébe
- * Játék közben, soha ne helyezze az ujjait a pedálok mögé vagy a háttulja közelébe.
- * Játék közben, soha ne helyezze az ujjait a pedálok elé vagy az eleje közelébe.

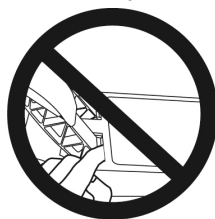
HIBÁS



HIBÁS



HIBÁS



Figyelmeztetés – A pedálok becsipődést okozhatnak játékon kívül

- * Tartsa a pedálszettet biztonságos helyen, gyermekektől távol.

A VERSENYKORMÁNY FIRMWARE-JÉNEK FRISÍTÉSE

A versenykormány alapján található firmware frissíthető az aktuális verzióval a hatékonyabb működésért.

PC-n az alábbi módon ellenőrizheti a versenykormány aktuális verzióját és az elérhető frissítéseket: látogasson el a <http://support.thrustmaster.com> weboldalra. Kattintson a **Racing Wheels/T-GT II-re** majd válassza ki a **Firmware-t** és kövesse a letöltésre és telepítésre vonatkozó utasításokat.

Fontos megjegyzés:

PC-n, a versenykormány alapján található USB csúszókapcsoló (11) mindig az "OTHER" pozícióba legyen állítva.

A KORMÁNY RÖGZÍTÉSE AZ ALAPRA

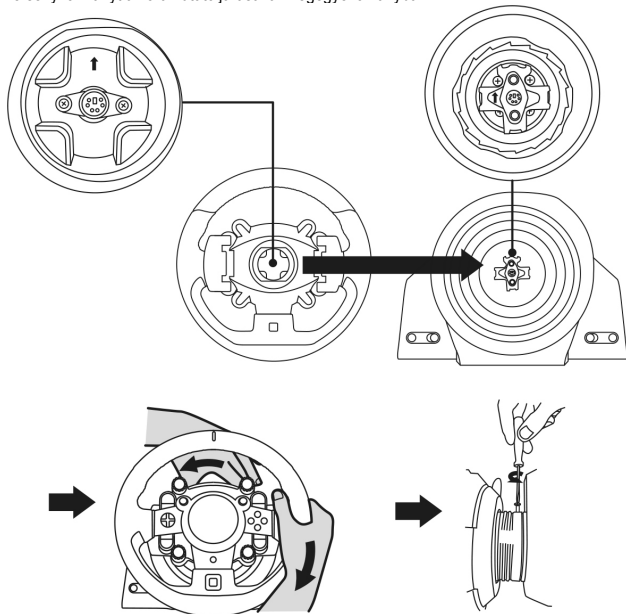
Állítsa be a csatlakozók helyzetét a nyíl alapján:

Alap (1) csatlakozója: A nyíl felfelé mutat

Versenykormány (2) csatlakozója: A nyíl felfelé mutat

Miután a csatlakozók megfelelő helyzetben állnak, egyszerűen fordítsa el a Thrustmaster Quick Release (Gyorskioldó) (15) eszköz gyűrűjét az óramutató járásával ellentétes irányba, miközben a kormányt (2) egy helyben tartja.

Majd szorítsa meg a gyűrűt, amennyire csak tudja, úgy hogy a gyűrűt egy helyben tartja és elforgatja a versenykormányt az óramutató járásával megegyező irányba.



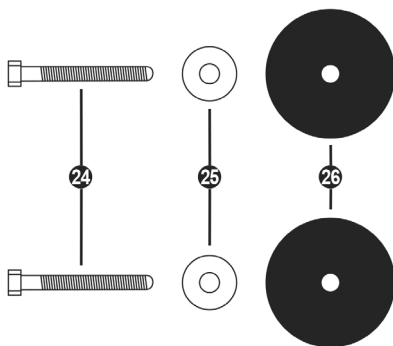
Miután a kormányt rögzítette, fordítsa el 180°-al (szemből nézve a GT logó legyen fejjel lefelé), hogy hozzáférjen a Thrustmaster Quick Release (15) eszköz gyűrűjén található kis rögzítőcsavarhoz. Használjon egy nagy csillagcsavarhúzó a kis rögzítőcsavar meghúzásához (ne használjon túlzott erőt), úgy, hogy az óramutató járásának irányával megegyezően csavarja.



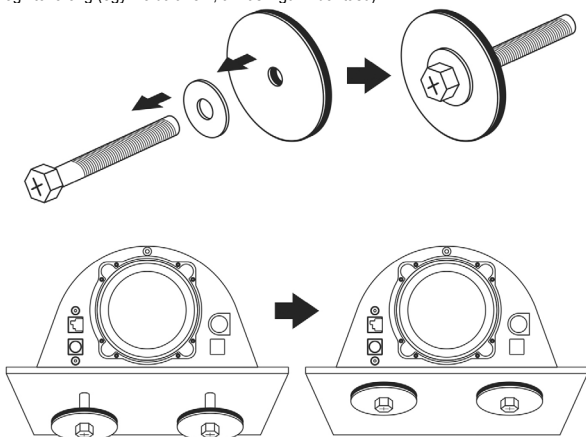
A csillagcsavarhúzó használva, NE fejtsen ki túlzott erőt a kis rögzítőcsavar meghúzásakor! Hagyja abba a csavar behajtását, ha ellenállást érez.

A VERSENYKORMÁNY RÖGZÍTÉSE

A versenykormány alapjának rögzítése pilótafülkébe



- 24 2 M6-os (10 mm-es) hatlapfejű csavar
25 2 csavartalét
26 2 rögzítőkorong (egyik oldala fém, a másik gumi borítású)



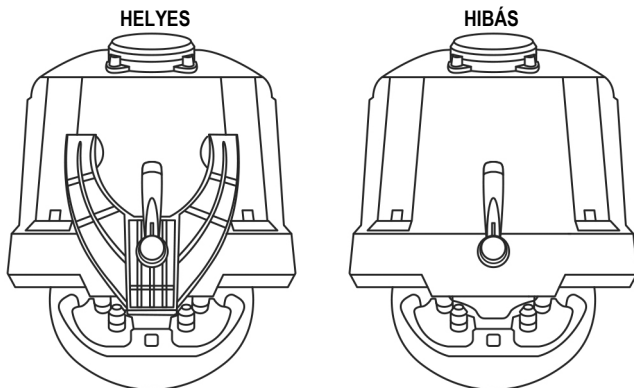
1. Helyezze a csavartalétet (25) a rögzítőkorong fém oldalára (26) majd helyezze bele az M6-os hatlapfejű csavart (24).
2. Helyezze a versenykormány alapjának a pilótafülke vázán a megfelelő helyre.
3. Használjon egy 10 mm-es villáskulcsot vagy csillagkulcsot és csavarja a rögzítőt a pilótafülke vázába és a kormány aljában található 2 kis menetes lyukba.

FIGYELMEZTETÉS:

- **Ne távolítsa el a versenykormány alján található hab réteget!** A hab erősíti fel a T-DFB hatását, amikor a kormány rögzítve van.
- **Minden esetben a rögzítőkorong gumi oldala (26) érintkezzen a pilótafülke polcával = soha ne a fém része érintkezzen vele.**

A versenykormány rögzítése asztalra vagy pultra

1. Helyezze a versenykormányt az asztalra, vagy egyéb vízszintes, lapos, stabil felületre.
2. Helyezze be a rögzítőcsavart (14) a rögzítőrendszerbe (13), majd addig csavarja a csavart az óramutató járásával ellentétes irányba a versenykormány alján található nagy menetes lyukba (12), amíg az tökéletesen stabilan nem áll.



FIGYELMEZTETÉS:

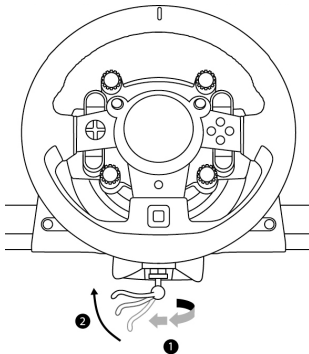
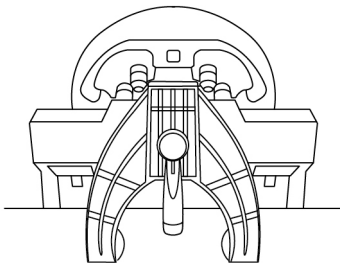
- **Ne húzza meg a csavart önmagában, anélkül, hogy a rögzítőrendszer a helyén lenne (a versenykormány sérülését okozhatja).**
- **Ne távolítsa el a versenykormány alján található hab réteget!** A hab erősíti fel a T-DFB hatását, amikor a kormány rögzítve van.

**RÖGZÍTÉS /
ELTÁVOLÍTÁS**

IRÁNY

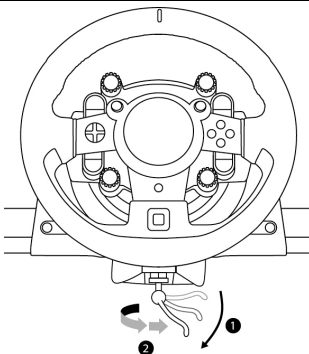
Rögzítés:

*Forgassa a csavart
az óramutató
járásával ellentétes
irányba*



Kiengedés:

*Forgassa a csavart
az óramutató
járásával megegyező
irányba*



A VERSENYKORMÁNY BEÁLLÍTÁSA PS5™ KONZOLOKHOZ ÉS PS4™ KONZOLOKHOZ

1. Csatlakoztassa a pedálszettet a versenykormány alapján, hátul található csatlakozóba **(19)**.
2. Csatlakoztassa a T-TURBO tápegységet **(21)** a csatlakozójához **(17)**.
3. Csatlakoztassa az áramkábel **(22)** a T-TURBO tápegységhez és dugja be a megfelelő feszültségű konnektorba.
4. Állítsa az USB csúszókapcsolót (11) "OTHER" vagy "GT" pozícióba, attól függően, hogy PS5™ játékkal vagy PS4™ játékkal játszik.
5. Csatlakoztassa az eltávolítható USB kábelt (23) a csatlakozójába (18) és a PS5™ konzol vagy PS4™ konzol egyik USB portjába.
6. Miután a PS5™ konzolt vagy PS4™ konzolt bekapcsolta, a versenykormány automatikusan bekalibrálja magát.
7. Nyomja meg a versenykormányon található PS gombot (9) és jelentkezzen be a PlayStation™Network fiókjába, hogy a kormánya működjön.

Már játszhat is!

Fontos megjegyzések:

- Nyomja meg a versenykormányon található PS gombot **(9)**, *hogy a kormány működjön.*
- A kormány alapján található USB csúszókapcsoló **(11)** mindig a megfelelő pozícióban kell, hogy álljon ("OTHER" vagy "GT") mielőtt a versenykormány USB kábelét a konzolhoz csatlakoztatná. A csúszókapcsoló helyzetének megváltoztatása: húzza ki az USB kábelt, majd állítsa a csúszókapcsolót a megfelelő pozícióba, mielőtt az USB kábelt újra csatlakoztatná a konzolhoz.
- A T-GT II-vel kompatibilis PlayStation®5 játékok és PlayStation®4 játékok listája (illetve, hogy melyik játék esetében hogyan kell állnia az USB csúszókapcsolónak (11)) itt érhető el: <https://support.thrustmaster.com> (a Racing Wheels/T-GT II részben). A listát rendszeresen frissítjük.

AZ USB CSÚSZÓKAPCSOLÓ (11) "OTHER" POZÍCIÓBAN PS5™ JÁTÉKOK ÉS PS4™ JÁTÉKOK ESETÉBEN, A GT SPORTOT LESZÁMÍTVÁ

Amikor az USB csúszókapcsoló **(11)** "OTHER" pozícióban van:

* A Force Feedback igen, de a T-DFB rendszer **(16)** nem működik.

AZ USB CSÚSZÓKAPCSOLÓ (11) "GT" POZÍCIÓBAN GT SPORT JÁTÉKOK ESETÉBEN (KÉSŐBBI GT JÁTÉKOKNÁL IS)

Amikor az USB csúszókapcsoló **(11)** "GT" pozícióban van:

* A Force Feedback és a T-DFB rendszer **(16)** is egyszerre működik. A GT Sport játékok esetében, mindkét rendszer erőssége külön állítható.

A VERSENYKORMÁNY BEÁLLÍTÁS PC*-HEZ

*A PC kompatibilitást a Sony Interactive Entertainment Europe és a Sony Interactive Entertainment LLC. nem hagyta jóvá.

Tovább információért látogasson el a <https://support.thrustmaster.com> weboldalra.

AUTOMATIKUS VERSENYKORMÁNY ÉS PEDÁLSZETT KALIBRÁLÁS

A kormány automatikusan bekalibrálja magát, miután bedugta a konnektorba és csatlakoztatta a kormány USB csatlakozóját a konzolhoz.

Ebben a fázisban, a versenykormány gyorsan elforog jobb és bal irányba, egy 1080 fokos szöveget lefedve, mielőtt megállna középen.



FIGYELMEZTETÉS:

**Soha ne nyúljon a versenykormányhoz miközben az kalibrálja magát!
(Ez nem megfelelő kalibráláshoz és/vagy személyi sérüléshez vezethet.)**

A PEDÁLOK AUTOMATIKUS KALIBRÁLÁSA

Soha ne csatlakoztassa a pedálszettet a versenykormány alapjához (vagy húzza ki az alapból) amikor az a konzolhoz van csatlakoztatva vagy játék közben (ez kalibrálásból fakadó problémához vezethet).

Mindig a pedálokat csatlakoztassa először a kormányhoz, majd a kormányt a konzolhoz.

Miután a kormány bekalibrálta magát és a játék elkezdődött, a pedálok néhányszori lenyomás után automatikusan kalibrálódnak.



FIGYELMEZTETÉS:

**Soha ne nyomja le a pedálokat a versenykormány kalibrálása közben vagy a játék betöltése közben!
(Ez kalibrálásból fakadó problémához vezethet.)**

Ha a versenykormány és/vagy pedálok nem rendeltetésszerűen működnek vagy rosszul vannak kalibrálva:

Kapcsolja ki a konzolt, teljesen húzza ki a kormányt, majd csatlakoztassa újra a kábeleket (beleértve az áramkábelt és a pedálok kábelét is), kapcsolja be a konzolt és indítsa újra a játékot.

BELSŐ HŰTŐRENDSZER A KORMÁNY ALAPJÁHOZ

A belső hűtőrendszer a kormány alapjához

- a kormány bekapcsolásával együtt kezd el működni.
- kikapcsol, pár perc inaktív használat után, amikor a belső hőmérséklet kellően alacsony szintre hűl.
- újra bekapcsol, amikor a kormány használva van.

MODE GOMB ÉS JELZŐFÉNY (10)

MODE gomb a pedálszethhez

Lehetőség van a gáz és kuplung pedál elektronikus felcserélésére.

Ezt könnyen megteheti a MODE gomb (10) 2 másodpercig tartó lenyomásával.

A versenykormány belső memóriája tárolja, hogy a pedálok fel lettek-e cserélve vagy sem.

GÁZPEDÁL ÉS KUPLUNG	A MODE jelzőfény színe (10)
NORMÁL	PIROS
FELCSERÉLT	ZÖLD

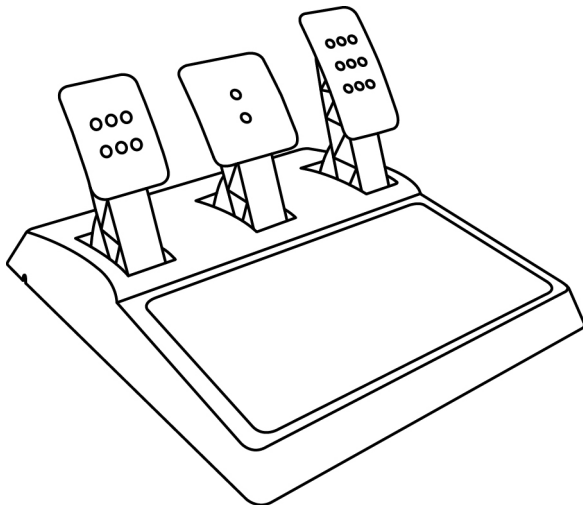
Egyéb információ a MODE gombról

Tudjon meg többet a MODE gombról és a jelzőfényekről az alábbi linken <http://support.thrustmaster.com>. Kattintson a **Racing Wheels/T-GT II-re**, majd válassza ki a **Manual-t** (Útmutató) vagy **FAQ-t** (GYIK).

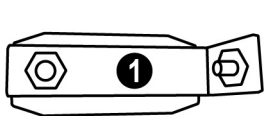
SEGÍTŐ DOKUMENTUMOK ÉS GYIK

Látogasson el a <https://support.thrustmaster.com> weboldalra. Kattintson a **Racing Wheels/T-GT II-re** és válassza ki a **Manual-t** (Útmutató) vagy a **FAQ-t** (GYIK).

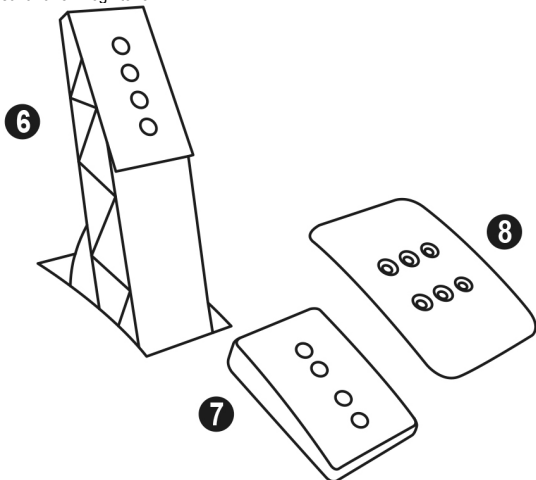
T-GT II EDITION PEDÁLSZETT



MŰSZAKI LEÍRÁS



- 1 A kúpos fékhez tartozó fém rögzítő
(alapértelmezettként nincs beszerelve)
- 2 Kúpos fék
- 3 Rögzítőcsavar a fém rögzítőhöz
- 4 2.5 mm-es imbuszkulcs (a csomag része)
- 5 A kúpos fék pozícióját beállító csavaranya



- 6 Pedáltartó
- 7 Műanyag pedálfej rögzítő
- 8 Fém pedálfej

FIGYELMEZTETÉS

Használat előtt figyelmesen olvassa el az útmutatót és tartsa meg későbbi használatra.



Biztonsági okokból, soha ne használja a pedálokat meztláb vagy csak zoknit viselve.

A THRUSTMASTER® SEMMILYEN SÉRÜLÉSÉRT NEM VÁLLAL FELELŐSÉGET, AMI A PEDÁLOK CIPŐ NÉLKÜLI HASZNÁLATÁBÓL ERED.



Figyelmeztetés – A pedálok becsipődést okozhatnak játék közben

- * A pedálszettet tartsa gyermekektől távol.
- * Játék közben, soha ne helyezze az ujjait vagy hüvelykujját a pedálok oldalára vagy az oldal közelébe.
- * Játék közben, soha ne helyezze az ujjait vagy hüvelykujját a pedálok mögé vagy a hátulja közelébe.
- * Játék közben, soha ne helyezze az ujjait vagy hüvelykujját a pedálok elé vagy az eleje közelébe.

HIBÁS



HIBÁS



HIBÁS



A PEDÁLOK AUTOMATIKUS KALIBRÁLÁSA



FONTOS:

- Soha ne csatlakoztassa vagy húzza ki a pedálszettet a kormány alapjából, amikor az a PS5™ konzolhoz vagy PS4™ konzolhoz vagy PC-hez van csatlakoztatva, vagy játék közben, hogy a kalibrálásból fakadó problémákat elkerülje.
- Mindig a pedálokat csatlakoztassa először a kormányhoz, majd a kormányt a PS5™ konzolhoz vagy PS4™ konzolhoz vagy PC-hez.
- Miután a kormány bekalibrálta magát és a játék elkezdődött, a pedálok néhányszori lenyomás után automatikusan kalibrálódnak.
- Soha ne lépjen a pedálokra, mialatt a kormány kalibrálja magát, vagy amikor a játék betöltődik, hogy elkerülhesse a kalibrálásból fakadó problémákat.
- Ha a pedálok nem rendeltetésszerűen működnek vagy rosszul vannak kalibrálva, kapcsolja ki a rendszert, teljesen húzza ki a kormányt, majd csatlakoztassa újra a kábeleket (beleértve az áram kábelt és a pedálok kábelét is), kapcsolja be a rendszert és indítsa újra a játékot.

A PEDÁLOK RÖZÍTÉSE PÍLÓTAFÜLKÉBE

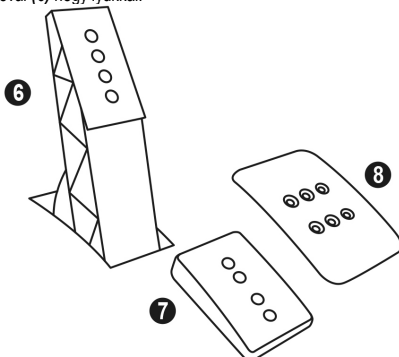
- Rögzítse a pedálszettet a pedálszett alján található kisebb csavar helyeket használva.
- Csavarjon kettő M6-os csavart (nem a csomag része) a pilótafülkében található pedálrögzítőbe és a pedálok alján található két kisebb csavarhelybe.

Fontos: A két M6-os csavar nem lehet hosszabb, mint maga a pedálrögzítő plusz 10 mm, hogy elkerülhesse a pedálszett belső elemeinek a sérülését.

A PEDÁLOK BEÁLLÍTÁSA

Mind a három pedál rendelkezik az alábbiakkal:

- Fém pedálfej (8) lyukkal (kilenc a gázpedálon – kettő a féken – hat a kuplungon).
- Egy műanyag pedálfej rögzítővel (7) (a pedálfej és a pedáltartó között) négy lyukkal.
- Egy fém pedáltartóval (6) négy lyukkal.

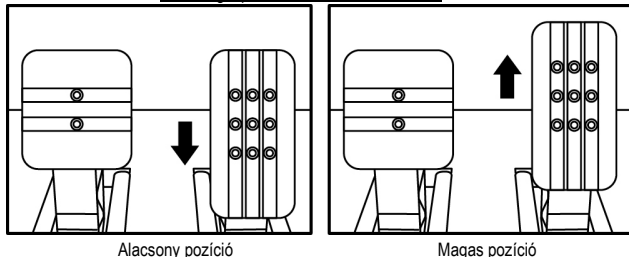


FIGYELMEZTETÉS: A kalibrálási problémákat elkerülendő, mindig húzza ki a kormány USB kábelét a PS5™ konzolból vagy PS4™ konzolból, mielőtt a pedálok beállítását megkezdené.

A 3 pedál MAGASSÁGÁNAK beállítása

- A 2.5 mm-es csomagban található imbuszkulcs (4) segítségével, csavarja ki a két csavart, melyek a fém pedálfejet (8) és a tartóját (7) rögzítik.
- Miután ez megtörtént, állítsa be a kívánt magasságot és rakja vissza, majd húzza meg a csavarokat újra úgy, hogy a fém pedálfej (8) és tartója (7) erősen legyen rögzítve.

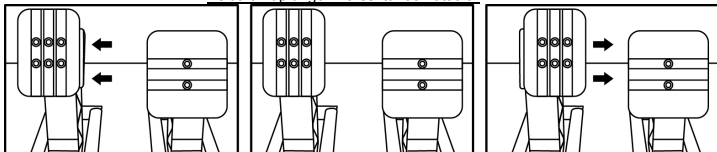
Példa a gázpedálon keresztül bemutatva:



A gázpedál és a kuplung HELYZETÉNEK beállítása

- A 2.5 mm-es csomagban található imbuszkulcs (4) segítségével, csavarja ki a két csavart, melyek a fém pedálfejet (8) és a tartóját (7) rögzítik.
- Miután ez megtörtént, válassza ki a kívánt pozíciót (balra, középre vagy jobbra) és utána rakja vissza, majd húzza meg a csavarokat úgy, hogy a fém fej (8) és a tartója (7) stabilan álljon.

Példa a kuplungon keresztül bemutatva:



Bal pozíció

Középső pozíció (alapértelmezett)

Jobb pozíció

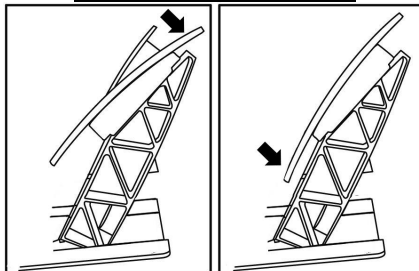
A pedálok helyzetének lehetősége pedálonként:

- Három a gázpedál
- Három a kuplung esetében

A 3 pedál DŐLÉSSZÖGÉNEK beállítása

- A 2.5 mm-es csomagban található imbuszkulcs (4) segítségével, csavarja ki a két csavart, melyek a fém pedálfejet (8) és a tartóját (7) rögzítik.
- Miután ez megtörtént, fordítsa el a műanyag pedálfej tartót (7) 180°-al, utána rakja vissza és húzza meg a csavarokat úgy, hogy a fém fej (8) és a tartója (7) stabilan álljon.

Példa a gázpedálon keresztül bemutatva:



Kevésbé dől

Jobban dől (alapértelmezett)

A pedálok dőlésszögének beállításai pedálonként:

- Kettő a gázpedál
- Kettő a fékpedál
- Kettő a kuplung esetében

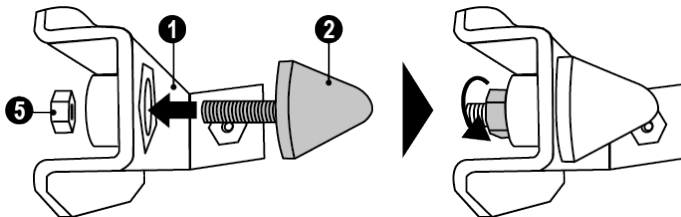
A kúpos fék beszerelése ("KÚPOS GUMIFÉK" kiegészítő)

A kiegészítő használata nem kötelező és alapértelmezettként nincs beszerelve. Ez azt jelenti, hogy a fékpedál funkciói tökéletesen szabályosan működnek a kiegészítő beszerelése nélkül is.

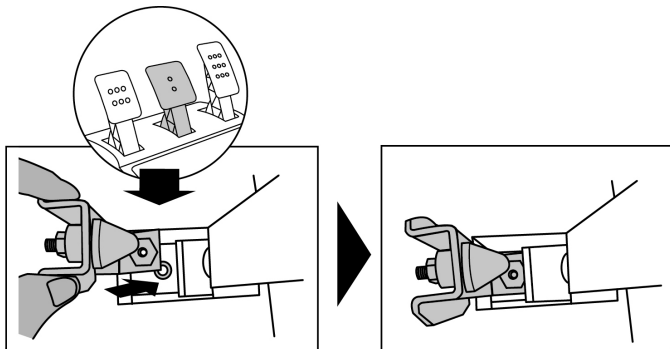
A kiegészítő használata eltérő fékezési élményt és ellenállást biztosít.

A felhasználók döntsek el maguk, hogy szeretnék, vagy nem szeretnék használni.

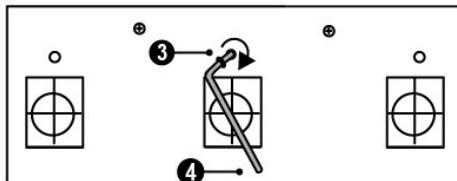
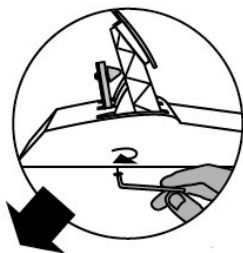
- Csavarja a kúpos féket (2) a fém rögzítőjére (1).
- Csavarja a beállítást segítő csavaranyát (5) a csavar aljára (a kúpos fék csavaros menetére).



- Helyezze be az egységet a fék pedáltartó mögé.



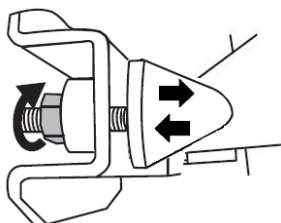
- A 2.5 mm-es csomagban található imbuszkulcs (4) segítségével, a pedálszett alján található középső kicsi csavarmentetbe hajtva a rögzítőcsavart (3) rögzítse az egységet.



A "KÚPOS GUMIFÉK" kiegészítő most már be van szerelve!

A fékpedál FÉKÚTJÁNAK és az ellenállás ERŐSSÉGÉNEK beállítása

Kissé lazítsa meg a csavaranyát (5) és növelje a fékpedál ellenállás erősségét azáltal, hogy a kúpos fékezőt (2) közelebb rakja a pedál tartójához (ha kell, használjon egy 14 mm-es villáskulcsot vagy fogót a csavaranya kiválasztott pozíciójának rögzítéséhez). Minél közelebb van a kúpos fékező a tartó hátuljához, annál nagyobb az ellenállás mértéke.



Megjegyzés: Ha a kúpos fékező túl közel van a fékpedál tartójának a hátuljához, előfordulhat, hogy nem éri el a maximálisra beállított értéket. Amennyiben ez megtörténik:

- * Lassan, nagy erővel lépjen rá a fékpedálra, úgy hogy az elérje a maximális értéket (ha kell, egy pillanatra álljon rá a pedálra) majd engedje fel a nyomást; vagy
- * Helyezze a kúpos fékezőt kicsit távolabb a fékpedál tartójának hátuljától.

TERMÉKSZAVATOSSÁGI TÁJÉKOZTATÓ

A franciaországi központú Guilemot Coporation S.A. (továbbiakban "Guilemot") (székhelyének címe: Place du Granier, B.P. 97143, 35571 Chantepie, Franciaország) világszerte garantálja a vásárlóinak, hogy a Thrustmaster által forgalmazott termék anyag és gyártási hibáktól mentes és a meghatározott szavatossági időn belül a termékkel szemben a cég eljár, ha szükséges. Az Európai Unió országain belül ez a szavatossági idő a Thrustmaster termék kiszállításától számított két (2) év. Más országokban, a Thrustmaster termékekre vonatkozó szavatossági időre azon helyi jogszabályok alkalmazandók, ahol a vásárló a vásárlás ideje alatt állandó jelleggel tartózkodott (ha a szóban forgó országnak nincsen ilyen jellegű törvénykezése, abban az esetben a Thrustmaster termék eredeti idejének vásárlásától számítva a szavatossági idő egy (1) év).

A fent meghatározottak ellenére, az akkumulátorok szavatossági ideje a vásárlástól számított hat (6) hónapon belül lejár.

Amennyiben a szavatossági idő alatt a termékben meghibásodást észlel, úgy azonnal lépjen kapcsolatba a Vevőszolgálattal és ők megmondják mit kell tennie. Ha a meghibásodást jóváhagyják, a terméket vissza kell vinnie a vásárlás helyszínére (vagy a Vevőszolgálat által kijelölt helyre).

A jótállás keretein belül, a vásárló hibás termékét a Vevőszolgálat vagy kicseréli, vagy megjavítja. Ha, a szavatossági időn belül a Thrustmaster termék javítás alatt áll legalább (7) hét napig, abban az esetben, a kiesett napok számával a szavatossági idő meghosszabbítható (ezt az időszakot az alábbiak szerint kell számolni: vagy attól a dátumtól kezdve amikor a vásárló panaszt tett vagy attól a dátumtól kezdve, amikor a termék javításra átadásra került, amennyiben ez a dátum nem esik egybe a panasztétel időpontjával). Ha az alkalmazandó jogszabályok megengedik, a Guilemot és a leányvállalatai (közvetett károkat is beleértve) egyaránt a Thrustmaster termék helyreállítására vagy annak a kicserélésére kell, hogy törekedjen. Ha az alkalmazandó jogszabályok megengedik, Guilemot a termék felhasználhatóságával és rendeltetésével kapcsolatban nem vállal garanciát.

A termékszavatosság nem érvényes: (1) ha a terméket bármilyen formában módosították, felnyitották, nem rendeltetészerűen használták, egyéb külső sérüléseknek tették ki, gondatlanul kezelték vagy normális mértékben elhasználódott és az ebből fakadó károk nem vezethetőek vissza a termék gyári meghibásodásra (beleértve, de nem kizárólagosan azt az esetet, amikor a Thrustmaster terméket valamilyen nem a Guilemot által forgalmazott tápegységgel, akkumulátorral, töltővel vagy egyéb eszközzel használták); (2) ha a terméket nem csak saját használatra, hanem szakmai vagy kereskedelmi célokra is felhasználták (pl.: játékszoba, tréning, versenyek); (3) ha a vásárló nem követte a Vevőszolgálat utasításait (4) szoftver hiba esetén. Arra más módon meghatározott jótállás érvényes; (5) fogyóeszközökre (olyan eszközök, amelyek a termék élettartalma alatt kell cserélni. Pl.: eldobható elemek, fejhallgató vagy headset fülpárna); (6) kiegészítőkre (pl.: kábelek, tokok, tasakok, tásákak, csukló rögzítők); (7) ha a terméket aukció során vásárolták meg.

A jótállás nem átruházható.

A vásárló törvényes jogaira nincs hatással a termékszavatosság, akármilyen törvények is vonatkoznak a saját országában megvásárolt termékekre.

További termékszavatossággal kapcsolatos rendelkezések

A szavatossági idő alatt, Guillemot semmiféle alkatrészt nem bocsájthat a vásárló részére, mivel csak a Vevőszolgáltatnak van kizárólagos joga ahhoz, hogy felnyisson és/vagy megszereljen akármilyen Thrustmaster terméket (kivévelt képez az az eset, amikor a Vevőszolgálat külön írásos instrukciókkal látja el a vásárlót a szerelést illetően és az ehhez szükséges alkatrészeket is a rendelkezésére bocsájta pl.: ha nagyon egyszerű és titoktartást nem igénylő szerelési folyamatról van szó.)

Az innovációs ciklusra való tekintettel és a termék szabadalmának, illetve az üzleti titkának védelme érdekében, Guillemot nem tesz ígéretet olyan Thrustmaster termék javítására és nem szolgáltat hozzá alkatrészt, amelyek a termékszavatossága már lejárt.

Felelősségvállalás

Ha az alkalmazandó jogszabályok megengedik, a Guillemot Corporation S.A. (továbbiakban "Guillemot") és leányvállalatai nem vállalnak semmiféle felelősséget, ha a károk az alábbiak szerint keletkeztek: (1) a terméket bármilyen formában módosították vagy felnyitották ; (2) nem tartották be az összeszerelési utasítást; (3) a terméket nem rendeltetésszerűen használták, egyéb külső sérüléseknek tették ki (pl.: nyomásnak), gondatlanul kezelték ; (4) a termék normális mértékben használódott el; (5) a terméket nem csak saját használatra, hanem szakmai vagy kereskedelmi célokra is felhasználták (pl.: játékszoba, tréning, versenyek). Amennyiben az alkalmazandó jogszabályok lehetővé teszik, úgy Guillemot és a leányvállalatai nem vállalnak felelősséget azon károkért, amelyek nem a termék minőségi vagy gyártási problémájából fakadnak. (beleértve, de nem kizárólagosan azt az esetet, amikor a károkat direkt vagy indirekt módon egy szoftver okozza vagy a Thrustmaster terméket valamilyen nem a Guillemot által forgalmazott tápegységgel, akkumulátorral, töltővel vagy egyéb eszközzel használták.)

THRUSTMASTER®

VEVŐSZOLGÁLAT

<https://support.thrustmaster.com>



SZERZŐI JOG

© 2021 Guillemot Corporation S.A. Minden jog fenntartva. A Thrustmaster® a Guillemot Corporation S.A. bejegyzett védjegye. Gyártja és forgalmazza a Guillemot Corporation S.A. Minden egyéb védjegy és márkanév igazolva van és az adott tulajdonos tulajdonában áll. A képek, termék megnevezések és jellemzők nem kötelező érvényűek. A tartalom, a design és egyéb specifikációk bármikor módosíthatók további értesítés nélkül és országonként eltérhetnek. A fényképek és illusztrációk nem kötelező érvényűek. Észak-Amerikában és Európában tervezve és Kínában gyártva.

Kizárólag PlayStation®5 konzolokhoz és PlayStation®4 konzolokhoz.

A "PS", a "PlayStation", a "PS5", és a "PS4" a Sony Interactive Entertainment Inc. bejegyzett védjegyei vagy védjegyei. Minden jog fenntartva. Minden egyéb védjegy az adott tulajdonos tulajdonában áll. A Sony Interactive Entertainment LLC. licenc alatt gyártva és forgalmazva.

A Gran Turismo és Gran Turismo logó a Sony Interactive Entertainment Inc. bejegyzett védjegye vagy védjegye.

A TouchSense® technológia az Immersion Software Ireland Limited licence. Egy vagy több Amerikai Szabadalom védelme alatt áll melyek a következő címen találhatóak: www.immersion.com/patent-marking.html, illetve egyéb szabadalmi eljárás alá esők.

KÖRNYEZETVÉDELMI AJÁNLÁS



* Az Európai Unió, az Egyesült Királyságon és Törökországon belül: ha a termék élettartama lejárt, ne dobja ki a háztartási szeméttel együtt, hanem adja le egy az elektromos és elektronikus berendezések hulladékának újrafelhasználásáért felelős gyűjtőpontra. (WEEE) Ezt az alábbi ikon is jelöli, amit a terméken, használati útmutatón és csomagoláson is megtalál.



Az anyag sajátosságaitól függően, újrafelhasználásra lehet alkalmas. Az újrafelhasználással és azzal, hogy az elektromos és elektronikus berendezések hulladék megsemmisítésének a módját követi, jelentősen hozzájárul a környezete

védelméhez. Lépjen kapcsolatba a helyi önkormányzattal, hogy hol található az Önhöz legközelebbi gyűjtőpont.

Nem Európai Uniói országokban: Vegye figyelembe a helyi elektromos és elektronikus hulladék újrafelhasználásra vonatkozó törvényt.

Őrizze meg a tájékoztatót. A színek és díszítés eltérhetnek.

Távolítsa el a műanyag rögzítőket és ragasztószalagokat a használatba vétel előtt.

www.thrustmaster.com

*EU-ban, a UK-ban és Törökországban alkalmazható



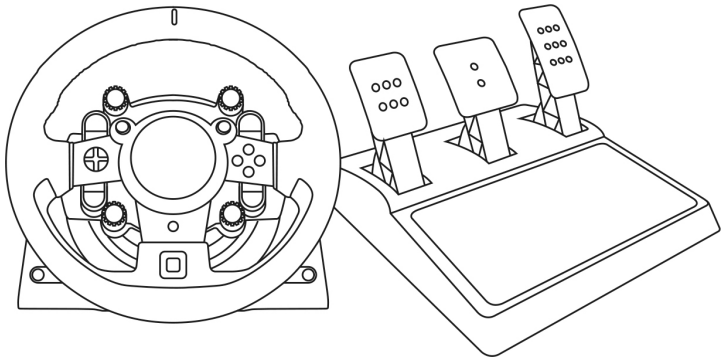
immersion.



T-GT II

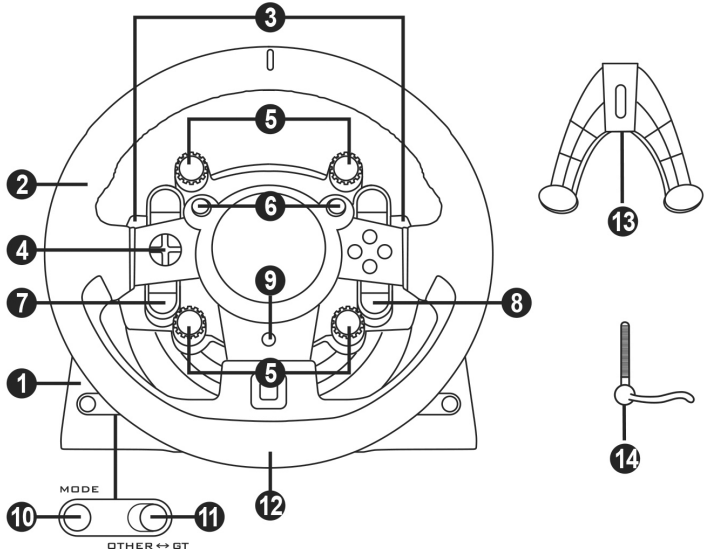
لأجهزة PlayStation®5 وأجهزة PlayStation®4

دليل المستخدم



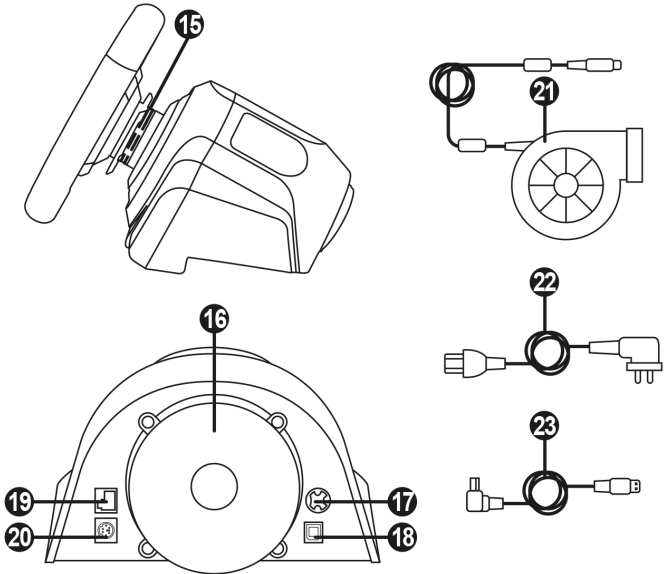
تحذير:

للتأكد من أن عجلة السباق T-GT II تعمل بشكل صحيح مع ألعاب، قد يُطلب منك تثبيت التحديثات التلقائية للألعاب (تتوفر عند توصيل جهاز الألعاب بالإنترنت).



- الزر 8 **OPTIONS**
 الزر 9 **PS**
 الزر 10 **MODE + ضوء مؤشر احمر/اخضر**
 مفتاح 11 **USB منزلق مضمن: OTHER / GT**
 ثقب ملولب كبير (لتوصيل الجهاز واحكام ربط
 البراعي)
 جهاز توصيل 13
 برغي تثبيت معدني 14

- 1 قاعدة **T-GT II**
 2 عجلة **T-GT II**
 3 ذراعاً تبديل متعايقان (اعلى واسفل)
 4 لوحة توجيه رباعية
 5 عدد 4 مفاتيح اختيار دّوّارة مزوّدة بوظيفة الدفع
 6 عدد 2 عصا صغيرة
 7 الزر **SHARE/CREATE**



15 التحرير السريع لـ Thrustmaster

16 نظام مؤثرات T-DFB (متوافق فقط مع أجهزة PS5™ وأجهزة PS4™ في وضع GT)

17 موصل لمصدر الطاقة من النوع T-TURBO

18 موصل لكابلات USB القابل للإزالة

19 موصل لمجموعة الدواسات

20 موصل لذراع TH8A (بياع الذراع بمفرده)

21 مصدر طاقة T-TURBO

22 كابل مصدر الطاقة

23 كابل USB قابل للإزالة

توصيل العجلة في مخرج كهربائي:

يرجى القراءة بعناية!

لا توصل مطلقاً مصدر الطاقة **T-TURBO** في مخرج كهربائي ذي جهد مختلف! يتم الإشارة إلى جهد مصدر الطاقة **T-TURBO** على الملصق الموجود أعلى الموصل الوصلة الأثني لكابل مصدر الطاقة.

لا توصل مطلقاً مصدر طاقة غير مصدر الطاقة **T-TURBO** في قاعدة **T-GT II**، حتى إذا كان الموصل متوافقاً! على سبيل المثال، لا توصل مطلقاً مهابئ طاقة للعجلة **T500 RS** بالقاعدة **T-GT II**.

قبل استخدام هذا المنتج، يرجى قراءة هذا الدليل بعناية والاحتفاظ به للرجوع إليه فيما بعد.



تحذير - صدمة كهربائية

- * يتم تخزين المنتج في مكان جاف مع عدم تعريضه للأتربة أو أشعة الشمس.
- * لا تقم بجعل الموصلات والكابلات أو سحبها.
- * لا تقم بسحب أي سائل على المنتج أو موصلاته.
- * لا تقم بعمل قصر في دائرة المنتج.
- * لا تقم بلك المنتج؛ ولا تلمسه في لهب ولا تعرضه لدرجات حرارة مرتفعة.
- * لا تستخدم كابل مصدر طاقة غير المرفق مع عجلة السباق الخاصة بك.
- * لا تستخدم كابل مصدر طاقة رئيسية في حالة تلف الكابل أو الموصلات أو شقه أو كسره.
- * تأكد من أن كابل الطاقة الرئيسية موصل في مقبس الطاقة على النحو الصحيح، وأنه موصل على النحو الصحيح بالموصل الموجود في الجهة الخلفية من عجلة السباق.
- * لا تفتح عجلة السباق. لا توجد أجزاء قابلة للاستبدال بواسطة المستخدم بالداخل. يجب تنفيذ أي إصلاحات عن طريق الشركة المصنعة أو ممثل معتمد أو فني مؤهل.
- * لا تستخدم إلا أدوات التوصيل/الملحقات المحددة بواسطة الشركة المصنعة.
- * إذا كانت عجلة القيادة لا تعمل بشكل صحيح (تصدر أصواتاً أو حرارة أو رائحة غير عادية)، فتوقف عن استخدامها على الفور، وقم بفصل كابل الطاقة من المنفذ وقم بفصل الكابلات الأخرى.
- * إذا لم تكن ستستخدم عجلة القيادة لمدة طويلة، قم بفصل مهابئ الطاقة الرئيسية من المنفذ الكهربائي.
- * يجب أن يكون المخرج الكهربائي موجوداً بالقرب من الجهاز ويجب أن يكون متاحاً للوصول إليه بسهولة.

معلومات عن محوّل الكهرباء جهد 220 فولت

الوحدة	القيمة	المعلومات المنشورة
	GUILLEMOT CORPORATION S.A. 414 196 758 Rennes Place du Granier BP 97143 Chantepie Cedex 35571 France	اسم الشركة المُصنِّعة أو علامتها التجارية ورقم السجل التجاري وعنوانها
	Turbo Power 220V	مُعرّف الطراز
فولت	240 - 220	فولطية الدخل
هرتز	60 / 50	تردد دخل التيار المتردد
فولت تيار متردد	24,0	فولطية الخرج
أمبير	4,0	تيار الخرج
واط	96,0	قدرة الخرج
%	90,9	متوسط الكفاءة النشطة
%	86,8	الكفاءة عند التحميل المنخفض (10%)
واط	0,01	استهلاك الطاقة بدون حمل



فتحات الهواء

تأكد من عدم إعاقة أي من فتحات الهواء الموجودة على قاعدة عجلة القيادة. للحصول على تهوية مثلى، يرجى الالتزام بالنقاط الواردة أدناه:

* ضع القاعدة على مسافة لا تقل عن 10 سم من أي حائط.

* لا تضع القاعدة في أي أماكن ضيقة.

* لا تغطي القاعدة.

* لا تسمح بتراكم الأتربة على فتحات التهوية.



لأسباب تتعلق بالسلامة، لا تستخدم مجموعة الدواسة بـقدم عارية

أو أثناء ارتداء جوارب فقط.

لا تتحمل **THRUSTMASTER®** أي مسؤولية في حالة وقوع إصابات ناتجة عن استخدام

مجموعة الدواسة بدون حذاء.



تحذير – الإصابات الناتجة عن قوة رد الفعل والحركات المتكررة

قد يتسبب اللعب باستخدام رد فعل قوي لعجلة توجيه في حدوث ألم في العضلات أو المفاصل. لتجنب أي مشكلات:
* تجنب اللعب لفترات طويلة.

* ادخل في فترة راحة من 10 إلى 15 دقيقة بعد كل ساعة من اللعب.

* إذا شعرت بأي تعب أو ألم في اليدين أو المعصمين أو الذراعين أو القدم أو الرجلين، فتوقف عن اللعب واسترح بضع ساعات قبل بدء اللعب مرة أخرى.

* إذ استمرت الأعراض أو الألم المشار إليه أعلاه عند بدء اللعب مرة أخرى، فتوقف عن اللعب واستشر طبيبك.

* تحفظ بعيدًا عن تناول أيدي الأطفال.

* أثناء اللعب، اترك كلتا يديك دائمًا في موضع صحيح على عجلة القيادة دون تمريرها منها بشكل كامل.

* أثناء اللعب، لا تضع يديك أو أصابعك أسفل الدواسات أو في أي مكان بالقرب من مجموعة الدواسات.

* أثناء المعالجة واللعب، لا تمرر يدك أو ذراعك من خلال الفتحات الموجودة في عجلة السباق.

* تأكد من تأمين قاعدة عجلة السباق على نحو صحيح، حسب التعليمات الواردة في هذا الدليل.

منتج ثقيل الوزن



احرص على عدم إسقاط المنتج على نفسك أو على غيرك!



منتج يستخدم بواسطة مستخدمين لا يقل سنهم عن 16 عام

دائمًا



مطلقًا



مطلقًا



تحذير – خطر الضغط الشديد على مجموعة الدواسة عند اللعب



- * احتفظ بمجموعة الدواسة بعيدًا عن متناول الأطفال.
- * عند اللعب، لا تضع أصابعك على جوانب الدواسات أو في أي مكان قريب منها.
- * عند اللعب، لا تضع أصابعك على القاعدة الخلفية للدواسات أو في أي مكان قريب منها.
- * عند اللعب، لا تضع أصابعك على القاعدة الأمامية للدواسات أو في أي مكان قريب منها.

مطلقًا



مطلقًا



مطلقًا



تحذير – خطر الضغط الشديد على مجموعة الدواسة عند عدم اللعب



- * قم بتخزين مجموعة الدواسة في مكان آمن، واحتفظ بها بعيدًا عن متناول الأطفال.

ترقية البرنامج الثابت لعجلة السباق الخاصة بك

يمكن ترقية البرنامج الثابت المضمن في قاعدة عجلة السباق الخاصة بك إلى إصدار أحدث يوفر تحسينات للمنتج.

لعرض إصدار البرنامج الثابت الموجود على عجلة السباق الخاصة بك حاليًا وتحديثه إذا لزم الأمر: على الكمبيوتر، تفضل بزيارة الموقع <https://support.thrustmaster.com/>. انقر فوق **T- < Racing Wheels**، ثم حدد **GT II Firmware** واتبع التعليمات التي تصف إجراء التنزيل والتنصيب.

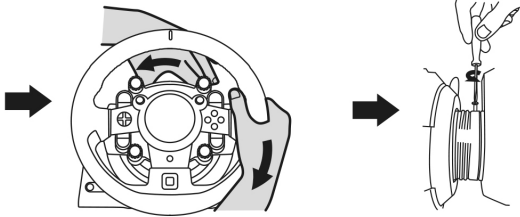
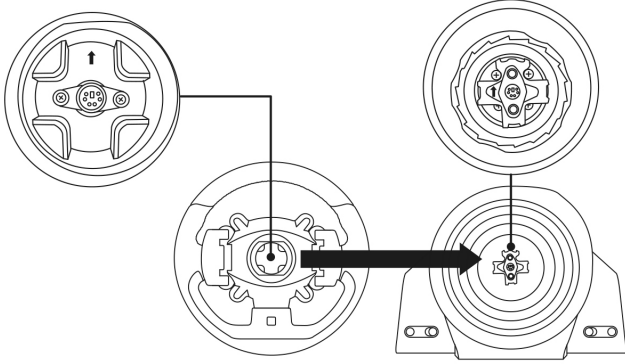
ملاحظة هامة:

على الكمبيوتر، يجب تعيين المفتاح **USB** المنزلق (5) الموجود على قاعدة عجلة السباق إلى الوضع **OTHER** دائمًا.

تنثبيت عجلة سباق على قاعدتها

قم بمحاذاة مواقع الموصل باستخدام الأسهم:
موصل القاعدة (1): سهم يشير لأعلى
موصل عجلة السباق (2): سهم يشير لأعلى

بمجرد تحديد موضع الموصلات بنجاح، قم بتدوير حلقة الجهاز (15) Thrustmaster Quick Release عكس اتجاه عقارب الساعة، مع تثبيت عجلة السباق (2) في موضعها.
ثم قم بربط الحلقة إلى أقصى مدى ممكن: للقيام بذلك، قم بتثبيت الحلقة في موضعها وقم بتدوير عجلة السباق في اتجاه عقارب الساعة.



بمجرد تركيب عجلة السباق ، قم بتدويرها 180 درجة (عندما تكون في مواجهة العجلة، يجب أن ينقلب شعار GT رأساً على عقب) للوصول إلى برغي التركيب الصغير الذي يوجد على حلقة الجهاز Thrustmaster Quick Release (15). استخدم مفك Phillips كبير لربط برغي التركيب الصغير (لا تستخدم قوة مفرطة)، ويكون الربط في اتجاه عقارب الساعة.

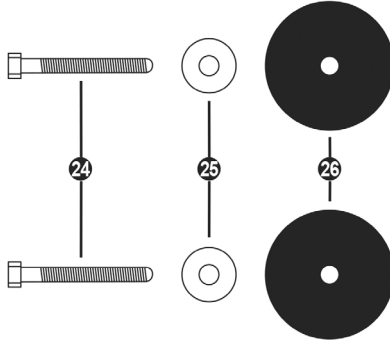


لا تستخدم قوة مفرطة عند ربط برغي التركيب الصغير
(باستخدام مفك Phillips)!

توقف عن تدوير البرغي بمجرد أن تشعر بشيء من المقاومة.

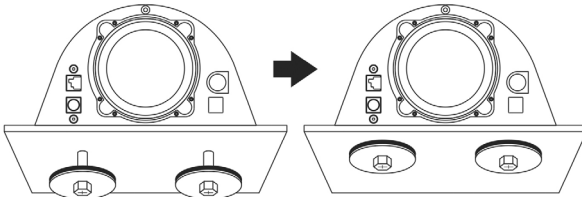
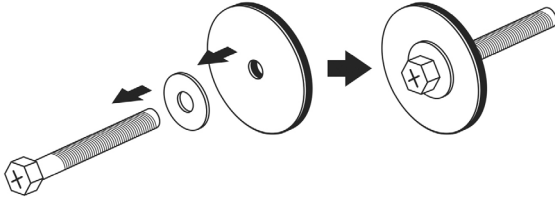
تركيب عجلة السباق

تركيب قاعدة عجلة السباق في مقصورة



24 مسامير سداسية الرأس/Phillips من النوع M6
25 فلكتين

26 قرصي تركيب (معدن على أحد الجوانب، ومطاط مرئب على الجانب الآخر)



1. ضع الفلكتين (25) على الجوانب المعدنية لأقراص التركيب (26)، وأدخل المسامير سداسية الرأس / Phillips (24) من النوع M6.
2. ضع قاعدة عجلة السباق على رف المقصورة.
3. باستخدام مفتاح ربط 10 مم أو مفك Phillips، ثبت مجموعة تركيب المقصورة في رف المقصورة ثم في سني اللولب الصغيرين الموجودين على الجانب السفلي من العجلة.

تنبيه:

- لا تتم إزالة الوسائد المطاطية الموجودة على الجانب السفلي من قاعدة عجلة السباق! تضخم الوسائد المطاطية من تأثيرات نظام T-DFB عند توصيل العجلة.
- يجب وضع الجانب المطاطي المركب لأقراس التركيب (26) بشكل حتمي في اتجاه رف المقصورة = لا تضع الجانب المعدني مطلقاً في اتجاه رف المقصورة.

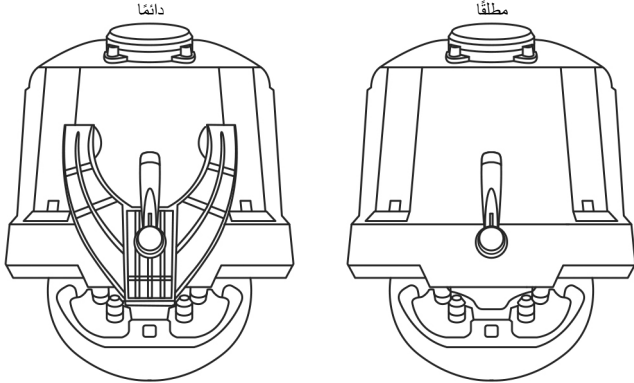
تركيب قاعدة عجلة السباق في مقصورة

1. ضع قاعدة عجلة السباق على رف المقصورة.
2. أدخل برغيين M6 (غير مضمنين) من خلال رف المقصورة، ثم أدخلهم في سني اللولب الصغيرين الموجودين أسفل عجلة السباق
هلمز يجب ألا يتجاوز طول البرغيين M6 سمك الرف + 12 مم؛ حيث قد يؤدي استخدام براغي أطول إلى حدوث تلف في المكونات الداخلية الموجودة في قاعدة عجلة السباق.
3. إذا لزم الأمر، قم بربط أداة التركيب القياسية عن طريق إدخال برغي التثبيت في الثقب الكبير المولب.

تنبيه: لا تتم إزالة الوسائد المطاطية الموجودة على الجانب السفلي من قاعدة عجلة السباق! تضخم الوسائد المطاطية من تأثيرات نظام T-DFB عند توصيل العجلة.

تركيب عجلة السباق على طاولة أو سطح مكتب

1. ضع عجلة السباق على طاولة أو أي سطح آخر أفقي ومستوي ومتمرن.
2. أدخل برغي التثبيت (14) في أداة الربط (13) ثم قم بإحكام الجهاز عن طريق تدوير البرغي في عكس اتجاه عقارب الساعة، بحيث يدخل في الثقب الكبير المولب (12) الموجود أسفل عجلة السباق، حتى تستقر العجلة تماماً.

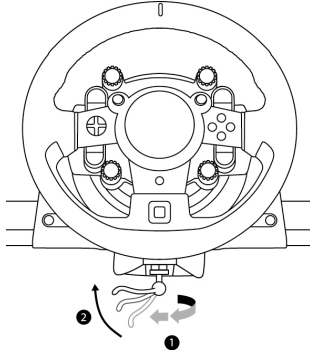
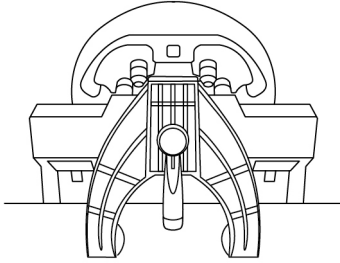


تحذير:

- لا تقوم مطلقاً بربط البرغي بمفرده، دون أداة الربط! (قد يؤدي ذلك إلى تلف عجلة القيادة).
- لا تتم إزالة الوسائد المطاطية الموجودة على الجانب السفلي من قاعدة عجلة السباق! تضخم الوسائد المطاطية من تأثيرات نظام T-DFB عند توصيل العجلة.

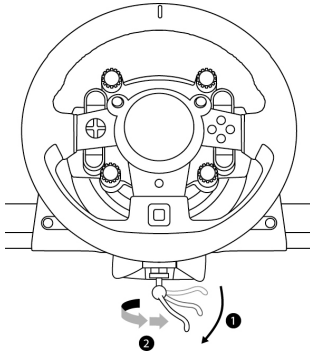
الاتجاه

التركيب/ الإزالة



للاربط

تدوير البرغي عكس اتجاه عقارب الساعة



للفك

تدوير البرغي في اتجاه عقارب الساعة

إعداد عجلة السباق لأجهزة PS5™ وأجهزة PS4™

1. وصل مجموعة الواسات في الموصل الخاص بها (19) الموجود في الجزء الخلفي من قاعدة عجلة السباق.
2. وصل مصدر الطاقة T-TURBO (21) بالموصل الخاص به (17).
3. وصل كابل مصدر الطاقة (22) بمصدر الطاقة T-TURBO، ووصل الكابل في مخرج كهربائي بنفس الجهد.
4. اضبط مفتاح USB المنزلق (11) على الوضع "OTHER" أو "GT" ، استنادًا إلى اللعبة التي تستخدمها على جهاز PS5™ أو جهاز PS4™.
5. وصل كابل USB القابل للإزالة (23) بالموصل الخاص به (18) وبأحد منافذ USB في جهاز PS5™ أو جهاز PS4™.
6. بمجرد تشغيل جهاز PS5™ أو جهاز PS4™، ستعاير عجلة السباق الخاصة بك نفسها.
7. اضغط على زر PS (9) في عجلة السباق، وسجل الدخول إلى حساب PlayStation™Network الخاص بك لتتمكن من استخدام العجلة الخاصة بك."

أنت الآن جاهز للعب!

ملاحظات هامة:

- لا تنس أن تضغط على الزر PS (9) الموجود على عجلة السباق، لكي تعمل العجلة الخاصة بك.

- يجب ضبط مفتاح USB المنزلق (11) الموجود على قاعدة العجلة دائمًا على الوضع المناسب ("OTHER" أو "GT") قبل توصيل كابل USB الخاص بعجلة السباق بجهاز الألعاب لديك.
لتغيير موضع المفتاح المنزلق: فصل كابل USB، ثم اضبط المفتاح على الوضع الصحيح قبل إعادة توصيل كابل USB بجهاز الألعاب.

- تتوفر قائمة بألعاب أجهزة PlayStation®5 وألعاب أجهزة PlayStation®4 المتوافقة مع T-GT II (جنبًا إلى جنب مع الوضع المطلوب لمفتاح USB المنزلق (11) وفقًا للعبة التي تستخدمها) هنا: <https://support.thrustmaster.com> (في القسم "Racing Wheels" (عجلات السباق)) T-GT II). ويتم تحديث هذه القائمة بانتظام.

مفتاح USB المنزلق (11) على وضع "OTHER"

لألعاب أجهزة PS5™ ولألعاب أجهزة PS4™ ما عدا SPORT GT

عند ضبط مفتاح USB المنزلق (11) على الوضع "OTHER":

* يعمل نظام Force Feedback، لكن لا يعمل نظام تأثيرات T-DFB (16).

مفتاح USB المنزلق (11) في الوضع "GT"

بالنسبة إلى العبة GT الرياضية (والعاب GT الأخرى المستقلة)

عند ضبط مفتاح USB المنزلق (11) على الوضع "GT":

* يعمل نظام Force Feedback ونظام تأثيرات T-DFB (16)، كلاهما في الوقت نفسه. في خيارات الألعاب الرياضية في الوضع GT، يمكن ضبط مستوى الطاقة لكل جهاز على حدة.

إعداد عجلة السباق للكمبيوتر*
*لم تصادق شركتنا Sony Interactive Entertainment Europe و Sony Interactive Entertainment LLC على التوافق مع أجهزة الكمبيوتر.

لمزيد من المعلومات، يرجى زيارة الموقع <https://support.thrustmaster.com/>

المعايرة التلقائية لعجلة السباق ومجموعة الدواسة

تعمل عجلة السباق على إجراء معايرة ذاتية تلقائيًا عند توصيل عجلة السباق بمصدر الطاقة الرئيسية وموصل USB لعجلة السباق بجهاز الألعاب. خلال هذه المرحلة، ستدور عجلة السباق بسرعة باتجاه اليمين واليسار، وتغطية زاوية 1080 درجة قبل التوقف في المنتصف.



تحذير:

لا تقم مطلقًا بلمس عجلة السباق أثناء مرحلة المعايرة الذاتية!
(قد يتسبب ذلك في إجراء معايرة غير صحيحة و/أو إصابات شخصية)

المعايرة التلقائية لمجموعة الدواسة

لا تقم مطلقًا بتوصيل مجموعة الدواسة بقاعدة عجلة السباق (أو فصلها من القاعدة) عند توصيلها بجهاز الألعاب أثناء اللعب (قد يؤدي ذلك إلى إجراء معايرة غير صحيحة).
قم دائمًا بتوصيل مجموعة الدواسة قبل توصيل عجلة السباق بجهاز الألعاب.
بمجرد إتمام معايرة عجلة السباق وبدء اللعبة، يتم إجراء معايرة الدواسة تلقائيًا بعد الضغط عليها بضع مرات.



تحذير:

لا تضغط مطلقًا على الدواسة
خلال مرحلة المعايرة الذاتية لعجلة السباق أو أثناء تحميل اللعبة!
(قد يتسبب ذلك في إجراء معايرة غير صحيحة)

إذا لم تعمل عجلة السباق ومجموعة الدواسة بشكل صحيح، أو إذا بدا أن المعايرة غير صحيحة:
قم بإيقاف تشغيل جهاز الألعاب الخاص بك، وقم بفصل عجلة السباق بالكامل. وقم بإعادة توصيل كافة الكابلات (باستخدام كابل مصدر الطاقة الرئيسية ومجموعة الدواسة)، ثم قم بإعادة تشغيل جهاز الألعاب واللعبة الخاصة بك.

نظام التبريد الداخلي لقاعدة العجلة

نظام التبريد الداخلي لقاعدة العجلة

- يبدأ العمل عند تشغيل العجلة.

- يتوقف عن العمل بعد مرور بضع دقائق من عدم التفعيل عندما تنخفض درجة الحرارة الداخلية.

- يعمل مجددًا عندما تستخدم العجلة.

زر **MODE** ومصباح المؤشر (10)

زر **MODE** لمجموعة الدواساة
كما أن عجلة سباق **T-GT II** متوافقة مع مجموعة دواساة **Thrustmaster** التي توفر 3 دواسات؛ حيث يمكنك ذلك من التبديل الإلكتروني لدواساة السرعة والقابض.
للقيام بذلك، ما عليك إلا الضغط على الزر **(10) MODE** لمدة ثانيتين.
تعمل الذاكرة الداخلية لعجلة السباق على تخزين ما إذا كان يتم التبديل بين الدواسات أم لا.

لون مصباح مؤشر MODE (10)	دواساتي السرعة والقابض
أحمر	عادي
أخضر	إمكانية التبديل

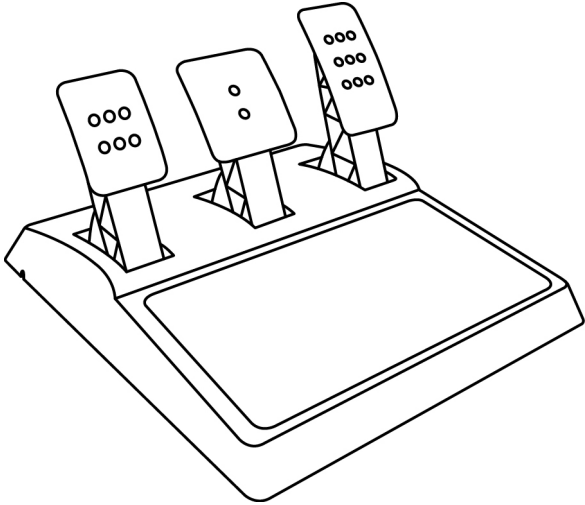
تلميحات أخرى حول الزر **MODE**

لمعرفة المزيد حول زر **MODE** ومصباح المؤشر، يرجى الانتقال إلى <https://support.thrustmaster.com/>. انقر فوق **Racing Wheels < T-GT II**، ثم حدد **Manual** أو **FAQ**.

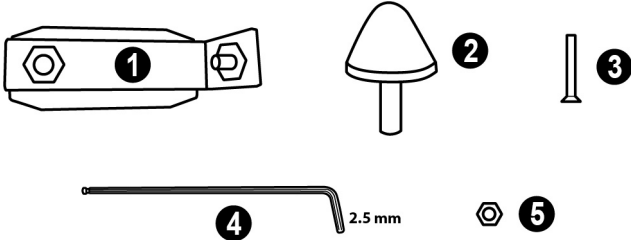
ملفات التعليمات والأسئلة المتداولة

الرجاء زيارة الموقع <https://support.thrustmaster.com/>. انقر فوق **T - < Racing Wheels**، ثم حدد **Manual** أو **FAQ**.

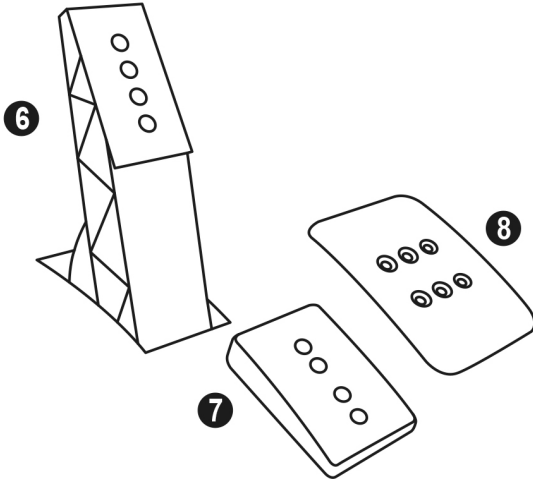
T-GT II EDITION الدواسات



الميزات التقنية



- 1 داعمة معدنية للمسمار ذو الرأس المخروطية
 2 مسمار ذو رأس مخروطية
 3 مسمار قلاووظ لربط الداعمة المعدنية
 4 2.5 ملم مفتاح ألن (مضمن)
 5 صمولة ضبط المكان للمسمار ذو الرأس المخروطية



8 رأس الدواصة المعدنية

6 ذراع الدواصة المعدنية
 7 رأس داعمة بلاستيكية

قبل استخدام هذا المنتج، تأكد من قراءة هذه التعليمات بعناية وأحفظها لترجع إليها لاحقًا.



لأسباب تتعلق بالسلامة لا تستخدم مجموعة الدواسات حافي القدمين أو أثناء ارتداء الجوارب فقط في قدميك.

تخلى **THRUSTMASTER®** مسؤوليتها في حال حدوث إصابة ناجمة عن استخدام مجموعة الدواسات دون ارتداء الأحذية.



تحذير - خطر وضع اليد عند مجموعة الدواسات أثناء جلسات الألعاب

* احفظ مجموعة الدواسات بعيدًا عن متناول الأطفال.

* أثناء جلسات الألعاب، لا تضع أصابعك أو إبهامك على جوانب الدواسات أو بالقرب منها.

* أثناء جلسات الألعاب، لا تضع أصابعك أو إبهامك على القاعدة الخلفية للدواسات أو بالقرب منها.

* أثناء جلسات الألعاب، لا تضع أصابعك أو إبهامك على القاعدة الأمامية للدواسات أو بالقرب منها.

ممنوع



ممنوع...



ممنوع





- لا تقم أبداً بتوصيل مجموعة الدواسات بقاعدة العجلة أو فصلها عنها عندما تكون العجلة متصلة بجهاز PS5™ أو جهاز PS4™ أو جهاز الكمبيوتر، أو أثناء جلسات اللعب، وذلك لتفادي مشكلات المعايرة.
- قم دائماً بتوصيل مجموعة الدواسات بالعجلة قبل توصيل العجلة بجهاز PS5™ أو جهاز PS4™ أو جهاز كمبيوتر.

- بمجرد معايرة العجلة ذاتياً وبدء اللعبة، تقوم الدواسات بالمعايرة الذاتية بعد الضغط عليها بضع مرات.

- لا تضغط على الدواسات أثناء معايرة العجلة ذاتياً أو أثناء بدء تشغيل اللعبة لتجنب مشاكل المعايرة.

- إذا لم تعمل الدواسات على النحو الصحيح أو إذا كان من الواضح أنها تمت معايرتها على النحو الخاطئ، أوقف تشغيل وحدة التحكم وافصل العجلة بشكل كامل ثم أعد توصيل جميع الكابلات (بما في ذلك كابل موثر الطاقة وكابل مجموعة الدواسات)، أعد تشغيل وحدة التحكم وأعد تشغيل اللعبة.

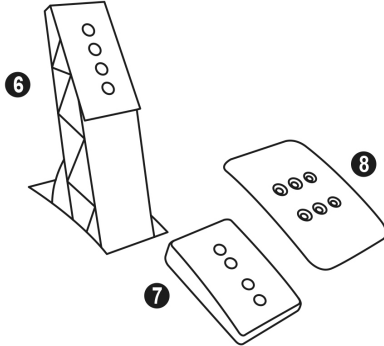
توصيل مجموعة الدواسات في مقصورة اللعب

- وصل مجموعة الدواسات باستخدام السن اللولبي الموجود على الجانب السفلي من مجموعة الدواسات.
- قم بربط مسامير قلاووظ M6 (غير مضمنين) في لوحة دعم الدواسات في مقصورة اللعب وفي السنين اللولبيين الصغيرين الموجودين على الجانب السفلي من مجموعة الدواسات.

هام: يجب ألا تكون المسامير القلاووظ M6 أطول من سمك لوحة دعم الدواسات في مقصورة اللعب مضافاً إليه 10 ملم، لتجنب الإضرار بالمكونات الداخلية لمجموعة الدواسات.

ضبط مجموعة الدواسات

- تحتوي كل واحدة من الثلاث دواسات على:
- رأس معدنية (8) ذات ثقب متعددة (9) للمسرّع – 2 للمكبج – 6 للقابض).
 - رأس بلاستيكية داعمة (7) (توضع ما بين الرأس والذراع) ذات 4 ثقب.
 - ذراع دواسة معدنية (6) مزود بأربع وظائف.

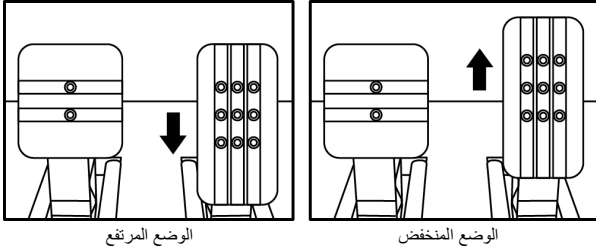


التهيء: لتفادي حدوث أي مشكلات في المعاييرة، تأكد دوماً من فصل كابل USB الخاص بالهجلة عن جهاز PS5™ أو جهاز PS4™ قبل إجراء أي تعديلات على مجموعة الدواسات.

ضبط ارتفاع الدواسات الثلاث

- باستخدام مفتاح ألن 2.5 مم المضمن (4)، فك البرغيين المثبتين للرأس المعدنية (8) ودعامتها (7) في مكانها.
- حدد مكان الطول المفضل لك ثم استبدل البراغي وأعد إحكام ربطها بحيث تكون الرأس المعدنية (8) ودعامتها (7) مثبتة بإحكام في مكانها.

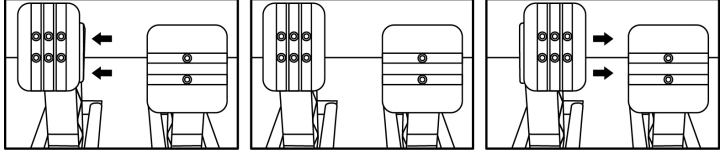
أمثلة توضح دواسة المسرّع:



ضبط تباعد دواسة السرعة ودواسة القابض

- باستخدام مفتاح ألن 2.5 مم المضمن (4)، فك البرغيين المثبتين للرأس المعدنية (8) ودعامتها (7) في مكانها.
- حدد الارتفاع المفضل لك (إلى اليسار أو المنتصف أو اليمين)، ثم استبدل البراغي وأعد إحكام ربطها بحيث تكون الرأس المعدنية (8) ودعامتها (7) مثبتة بإحكام في مكانها.

أمثلة توضح لدواسة القابض:



في اليسار

في المنتصف (افتراضي)

في اليمين

عدد أوضاع المسافات الممكنة لكل دواسة

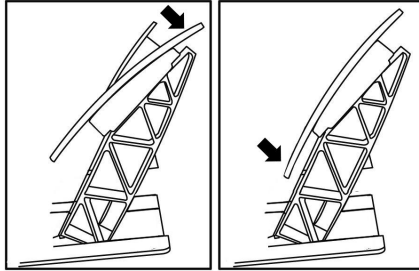
3 لدواسة المسرع

3 لدواسة القابض

ضبط ميل الدواسات الثلاث

- باستخدام مفتاح ألن 2.5 مم المضمن (4)، فك البرغيين المثبتين للرأس المعدنية (8) ودعامتها (7) في مكانها.
- لف داعمة الرأس البلاستيكية (7) 180° ، ثم استبدل البراغي وأعد إحكام ربطها بحيث تكون الرأس المعدنية (8) ودعامتها (7) مثبتة بإحكام في مكانها.

أمثلة توضح دواسة المسرع



وضع مائل قليلاً

وضع مائل أكثر (افتراضي)

عدد أوضاع الميل الممكنة لكل دواسة

2 لدواسة المسرع

2 لدواسة المكبح

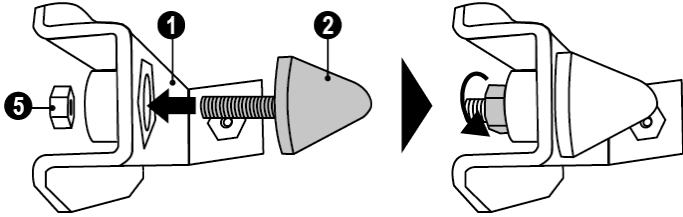
2 لدواسة القابض

تركيب المسمار ذو الرأس المخروطية (تعديل "المكبج المطاطي المخروطي")

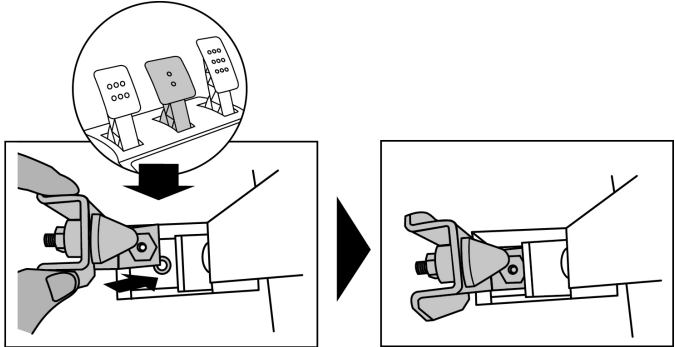
لا يعتبر هذا التعديل ضروريًا ولا يتم تركيبه في بشكل افتراضي. مما يعني أن وظائف دواصة المكبج تعمل بشكل مثالي حتى في حال عدم تركيب التعديل.

يتيح لك هذا التعديل تجربة إحساس مختلف ومقاومة عند الكبح. ويرجع لك الأمر في تركيبه من عدمه، حسب تفضيلك.

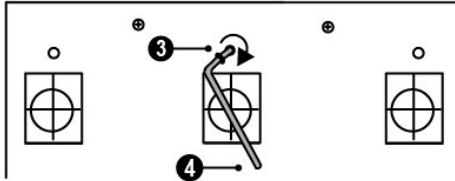
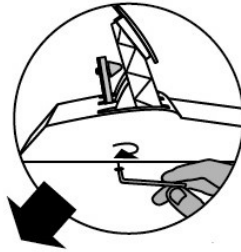
- اربط المسمار ذو الرأس المخروطية (2) في الداعمة المعدنية (1).
- اربط صامولة تعديل الوضع (5) في الأسفل (في السن اللولبي للمسمار ذو الرأس المخروطية).



- ضع الوحدة في ظهر ذراع دواصة المكبج.



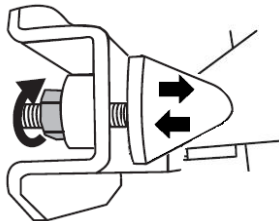
- باستخدام مفتاح 2.5 ملم (4)، اربط الوحدة باستخدام برغي الربط (3) والسن اللولبي الصغير المركزي الموجود على الجانب السفلي من مجموعة الدواسات.



تم الآن تركيب تعديل "المكبح المطاطي المخروطي"

تعديل نطاق السفر لدواسة المكبح وقوة المقاومة

عن طريق الفك الخفيف للصامولة (5)، يمكنك زيادة تعزيز مقاومة دواسة الفرامل عن طريق تحريك المسامير ذو الرأس المخروطية (2) أقرب إلى ظهر ذراع الدواسة (إذا لزم الأمر، استخدم مفتاح 14 مم أو زردية لإعادة إحكام ربط الصامولة والحفاظ على الموضع المحدد). كلما اقترب المسامير ذو الرأس المخروطية من ظهر الذراع، زادت قوة المقاومة.



ملاحظة: عندما يكون المسامير ذو الرأس المخروطية قريبًا للغاية من ظهر ذراع دواسة المكبح، فقد تواجه بعض الصعوبات في الوصول إلى أقصى قيمة للمعايرة. وفي تلك الحالة:

* بيطء، اضغط بقوة على دواسة المكبح بحيث تصل إلى أقصى قيمة (إذا كان ضروريًا، قف على الدواسة للحظة واحدة)، ثم افلت الضغط، أو غير ذلك.

* حرك المسامير ذو الرأس المخروطية قليلًا بعيدًا عن ظهر ذراع دواسة المكبح.

تضمن شركة Guillemot Corporation S.A، العالمية (المشار إليها فيما بعد باسم "Guillemot") ومقرها الرئيسي في Place du Granier, B.P. 97143, 35571 Chantepie, France، للمستهلك أن يكون منتج Thrustmaster خاليًا من عيوب المواد وعيوب التصنيع، طوال مدة فترة الضمان التي تتوافق مع الفترة المحددة التي يمكن خلالها المطالبة بالمطالبة لاسترداد قيمة هذا المنتج أو استبداله. في دول الاتحاد الأوروبي، يسري هذا لمدة (2) عامين من تاريخ استلام المنتج Thrustmaster. وفي دول أخرى، تتوافق فترة الضمان مع الفترة المحددة للمطالبة بمطابقة المنتج Thrustmaster وفقًا للقوانين المعمول بها في الدولة التي كان يقطن بها المستهلك عند تاريخ شراء المنتج Thrustmaster (في حالة عدم المطالبة في الدولة المعنية، ستكون فترة الضمان عام (1) واحد من تاريخ الشراء الأصلي للمنتج Thrustmaster).

وإذا ظهر أن المنتج معيبًا خلال فترة الضمان، فاتفصل على الفور بالدعم الفني الذي سيرشدك إلى الإجراءات التي يجب أن تتبعها. وإذا تم التأكد من وجود العيب، فيجب إعادة المنتج إلى مكان شرائه (أو أي موقع آخر يشير إليه الدعم الفني).

وفي سياق هذا الضمان، يجب استبدال المنتج المعيب الخاص بالمستهلك أو إصلاحه، وذلك حسب اختيار الدعم الفني. إذا خضع منتج Thrustmaster، في خلال فترة الضمان، لأي عملية إصلاح، فإن أي فترة يكون المنتج خلالها خارج الخدمة ويحد أدنى سبعة (7) أيام سوف تضاف إلى فترة الضمان المتبقية (تبدأ هذه الفترة من تاريخ طلب العميل للتدخل أو من تاريخ تقديم المنتج المذكور للإصلاح، إذا كان تاريخ تقديم المنتج للإصلاح لاحقًا لتاريخ طلب التدخل). تقتصر المسؤولية الكاملة لشركة Guillemot وفروعها (بما في ذلك الأضرار التبعية) على إصلاح المنتج Thrustmaster أو استبداله، وذلك عندما يكون هذا جائزًا بموجب القانون الساري. تخلي شركة Guillemot مسؤوليتها عن أي ضمانات خاصة بالتجارة أو الملاءمة لغرض معين، وذلك عندما يكون هذا جائزًا بموجب القانون الساري.

لا يسري هذا الضمان: (1) إذا تم تعديل المنتج أو فتحه أو تغييره أو إذا تعرض للتلف نتيجة للاستخدام السيئ أو غير الملائم أو الإهمال أو حادث أو الإهلاك نتيجة الاستعمال العادي، أو أي سبب آخر لا يرتبط بوجود عيب في المواد أو التصنيع (بما في ذلك، على سبيل المثال لا الحصر، تجميع منتج Thrustmaster بواسطة أي عنصر غير مناسب، بما في ذلك على وجه الخصوص وحدات الإمداد بالطاقة أو البطاريات القابلة لإعادة الشحن أو الشواحن أو أي عناصر أخرى لا يتم توريدها من Guillemot لهذا المنتج)؛ (2) إذا استخدم المنتج لأي غرض آخر بخلاف الاستخدام المنزلي، بما في ذلك الأغراض المهنية أو التجارية (غرف الألعاب أو التدريب أو المسابقات على سبيل المثال)؛ (3) في حالة عدم الالتزام بالتعليمات المقدمة من قبل الدعم الفني؛ (4) على البرامج، حيث تخضع هذه البرامج لضمان محدد؛ (5) على العناصر الاستهلاكية (العناصر التي يتم استهلاكها خلال فترة عمر المنتج: كالبطاريات غير القابلة لإعادة الاستخدام أو سماعات الرأس أو وسادات الأذن الخاصة بسماعة الرأس)؛ (6) الملحقات (كالكابلات والعلب والحافظات والحقائب وأربطة المعصم)؛ (7) إذا تم بيع المنتج في مزاد علني.

هذا الضمان غير قابل للتحويل.

لا يؤثر هذا الضمان على الحقوق القانونية للمستهلك بمقتضى القوانين المطبقة على بيع السلع الاستهلاكية في بلده/بلدها.

شروط الضمان الأخرى

خلال فترة الضمان، لن توفر Guillemot، من حيث المبدأ، أي قطع غيار، حيث إن الدعم الفني هو الطرف الوحيد المخول بفتح أو إصلاح أي منتج من Thrustmaster (باستثناء أي إجراءات إصلاح يطلب الدعم الفني إجراؤها بواسطة العميل، عن طريق تعليمات مكتوبة – على سبيل المثال، نظرًا لبساطة عملة الإصلاح وعدم سربيتها – وتزويد العميل بقطعة (قطع) الغيار المطلوبة، حيثما أمكن ذلك.

لمقتضى المجالات الإبداعية ولحماية أسرار المعرفة الفنية والأسرار التجارية، لن توفر Guillemot، من حيث المبدأ، أي إشعارات للإصلاح أو قطع غيار لأي منتج Thrustmaster انتهت فترة الضمان الخاصة به.

المسؤولية

تخلي شركة Guillemot Corporation S.A. (المشار إليها فيما بعد باسم "Guillemot") وفروعها ومسؤوليتها كاملة عن أي أضرار تنتج عن حالة أو أكثر من الحالات التالية، إذا كان هذا جائزًا بموجب القانون الساري: (1) تعديل المنتج أو فتحه أو تغييره؛ (2) عدم الالتزام بتعليمات المجموعة؛ (3) الاستخدام السيئ أو غير الملائم أو الإهمال أو التعرض لحادث (تصادم، على سبيل المثال)؛ (4) الإهلاك الناتج عن الاستعمال العادي؛ (5) إذا استخدم المنتج لأي غرض آخر بخلاف الاستخدام المنزلي، بما في ذلك الأغراض المهنية أو التجارية (غرف الألعاب أو التدريب أو المسابقات على سبيل المثال). تخلي شركة Guillemot وفروعها كافة مسؤوليتها عن أي أضرار لا ترتبط ببيع في المواد أو التصنيع يتعلق بالمنتج (متضمنًا، على سبيل المثال لا الحصر، أي أضرار تحدث بشكل مباشر أو غير مباشر بسبب أي برنامج أو عن طريق دمج منتج Thrustmaster مع أي عنصر غير مناسب، بما في ذلك على وجه الخصوص وحدات الإمداد بالطاقة أو البطاريات القابلة لإعادة الشحن أو الشواحن أو أي عناصر أخرى لا يتم توريدها من خلال Guillemot لهذا المنتج)، إذا كان هذا جائزًا بموجب القانون الساري.

THRUSTMASTER®

الدعم الفني

<https://support.thrustmaster.com>



حقوق النشر

حقوق التأليف والطبع والنشر © لعام 2021 مملوكة لمجموعة Guillemot Corporation S.A. جميع الحقوق محفوظة. و® Thrustmaster هي علامة تجارية مسجلة لمجموعة Guillemot Corporation S.A. يتم تصنيعه وتوزيعه بواسطة مجموعة Guillemot Corporation S.A. أما جميع العلامات التجارية والأسماء التجارية الأخرى، فهي مُعترف بها بموجب هذه الوثيقة ومملوكة لأصحابها المعنيين. وتخضع المحتويات والتصميم والمواصفات للتغيير دون إشعار، وقد تختلف من بلد إلى آخر. وتُعد الصور والرسومات غير ملزمة. صنم في أمريكا الشمالية وأوروبا، وصنم في الصين. للاستخدام حصريًا مع أجهزة PlayStation®5 وأجهزة PlayStation®4.

"PS" و"PlayStation" و"PS5" و"PS4" هي علامات تجارية مسجلة أو علامات تجارية مملوكة لشركة Sony Interactive Entertainment Inc. جميع الحقوق محفوظة. وجميع العلامات التجارية الأخرى مملوكة لأصحابها المعنيين. يتم التصنيع والتوزيع بموجب ترخيص من شركة Sony Interactive Entertainment LLC.

Gran Turismo وشعار Gran Turismo هما علامتان تجاريتان مسجلتان أو علامتان تجاريتان مملوكتان لشركة Sony Interactive Entertainment Inc.

تم الحصول على ترخيص من شركة Immersion Software Ireland Limited باستخدام تقنية® TouchSense. والتقنية محمية بموجب براءات الاختراع الأمريكية التي يمكن الاطلاع عليها على العنوان الآتي: www.immersion.com/patent-marking.html. وبموجب غيرها من براءات الاختراع التي ما زالت قيد الموافقة.

توصيات الحماية البيئية

في الاتحاد الأوروبي والمملكة المتحدة وتركيا: عند انتهاء صلاحية المنتج، يجب عدم التخلص منه مع النفايات المنزلية العادية، لكن يوضع في نقطة تجميع خاصة بالتخلص من نفايات المعدات الكهربية والإلكترونية (WEEE).

ويؤكد ذلك الرمز الموجود على المنتج أو دليل المستخدم أو الغلاف. يمكن إعادة تدوير المواد، على حسب خصائصها. من خلال إعادة التدوير والإشكال الأخرى لمعالجة نفايات المعدات الكهربية والإلكترونية، يمكنك المشاركة بفعالية في المساعدة على حماية البيئة.

يرجى الاتصال بالسلطات المحلية لديك للحصول على معلومات حول نقطة التجميع الأقرب إليك. بالنسبة لكافة البلدان الأخرى: يرجى الالتزام بقوانين إعادة التدوير المحلية الخاصة بالمعدات الكهربية والإلكترونية.



احتفظ بهذه المعلومات. قد تختلف الألوان والزخارف.
يجب إزالة المواد المثبتة واللاصقة من المنتج قبل استخدامه.

www.thrustmaster.com

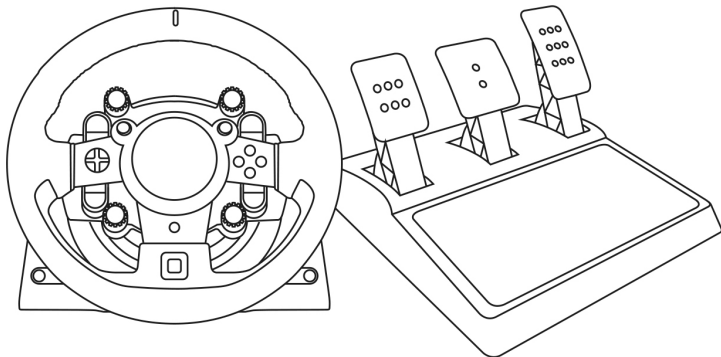
*ينطبق على الاتحاد الأوروبي والمملكة المتحدة وتركيا فقط


immersion. **CE** *

ווזגד

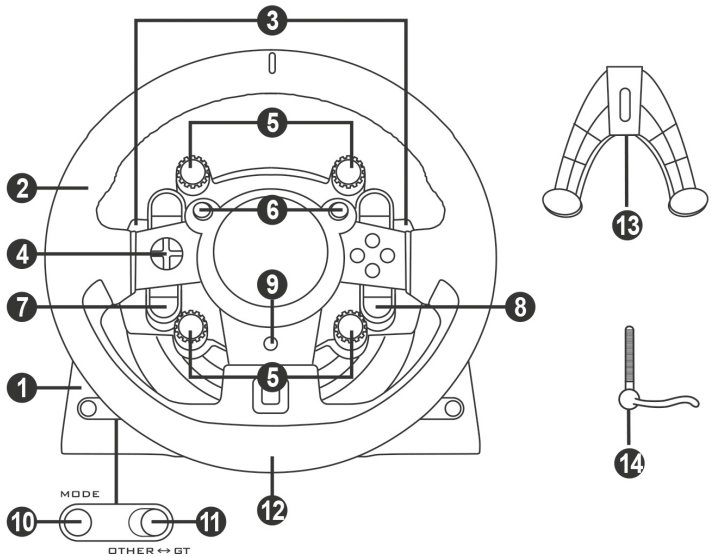
לקונסולות PlayStation®5 ולקונסולות PlayStation®4

מדריך למשתמש

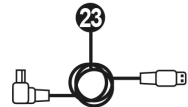
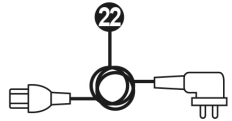
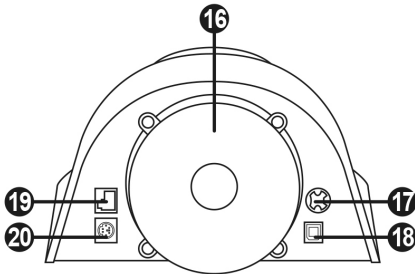
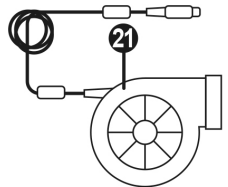
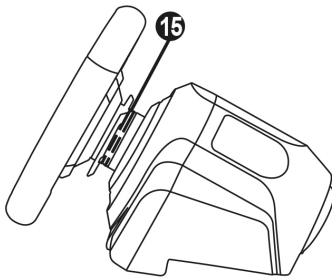


אזהרה:

על מנת לוודא שהגה המירוץ T-GT II מתפקד כראוי עם משחקים, ייתכן שיהיה צורך להתקין את העדכונים האוטומטיים של המשחק (זמינים כאשר הקונסולה מחוברת לאינטרנט).



- | | | | |
|----|---|---|---|
| 8 | לחצן OPTIONS (אפשרויות) | 1 | בסיס T-GT II |
| 9 | לחצן PS | 2 | גגה T-GT II |
| 10 | לחצן MODE (מצב) + נורית חיווי אדומה/ירוקה | 3 | 2 מסבי הנעה רציפים (למעלה ולמטה) |
| 11 | מתג מחליק מובנה להחלפת חיבור USB: GT/OTHER | 4 | לחצני כיוון |
| 12 | חור הברגה גדול (עבור מערכת החיבור ובורג ההידוק) | 5 | ארבעה מתגי בחירה מסתובבים עם פונקציית לחיצה |
| 13 | מערכת החיבור | 6 | שני מיני-ג'ויסטיקים |
| 14 | בורג הידוק ממתכת | 7 | לחצן CREATE/SHARE (שיתוף ויצירה) |



20 מחבר עבור מוט הילוכים TH8A (מוט

ההילוכים נמכר בנפרד)

21 ספק כוח T-TURBO

22 כבל ספק כוח

23 כבל USB נשלף

15 Thrustmaster Quick Release

16 מערך אפקטים T-DFB (תואם רק

לקונסולות PS5™ ולקונסולות PS4™ במצב GT)

17 מחבר עבור ספק כוח T-TURBO

18 מחבר עבור כבל USB מתנתק

19 מחבר עבור מערכת הדושות

חיבור ההגה לשקע חשמל:

יש לקרוא היטב!

⚠ אין לחבר את ספק הכוח T-TURBO אל שקע חשמל עם מתח שונה! המתח של ספק הכוח T-TURBO מצוין על התווית שנמצאת מעל למחבר הנקי של כבל ספק הכוח.

⚠ אין לחבר ספק כוח אחר מאשר ספק הכוח T-TURBO אל בסיס T-GT II, אפילו אם המחבר תואם! לדוגמה, אין לחבר את שנאי הכוח של הגה T500 RS אל בסיס T-GT II.

אזהרה

לפני השימוש במוצר זה, יש לקרוא בעיון מדריך זה ולשמור אותו לעיון בעתיד.

⚠ אזהרה - סכנת התחשמלות

- * יש לשמור את המוצר במקום יבש ולהימנע מחשיפתו לאבק או לאור שמש.
- * אין לפתל או למשוך את המחברים והכבלים.
- * אין לשפוך נוזלים על המוצר או על המחברים שלו.
- * אין לגרום קצר במוצר.
- * אין לפרק את המוצר; אין לזרוק אותו לאש ואין לחשוף אותו לטמפרטורות גבוהות.
- * אין להשתמש בכבל חשמל מלבד זה שסופק עם הגה המירוצים שלך.
- * אין להשתמש בכבל החשמל אם הכבל או המחברים שלו פגומים, סדוקים, קרועים או שבורים.
- * יש לוודא שכבל החשמל מחובר כראוי לשקע חשמל, ומחובר כראוי למחבר בחלקו האחורי של בסיס הגה המירוצים.
- * אין לפתוח את הגה המירוצים: הוא אינו מכיל חלקים המיועדים לטיפול על ידי המשתמש. כל התיקונים חייבים להתבצע על ידי היצרן, נציגו המורשה או טכנאי מוסמך.
- * יש להשתמש אך ורק במערכות החיבור/באבזורים הנלווים המצוינים על ידי היצרן.
- * אם הגה המירוצים פועל בצורה לא רגילה (אם הוא משמיע צלילים משונים, או פולט חום או ריחות משונים), יש להפסיק להשתמש בו מיד, לנתק את כבל החשמל משקע החשמל ולנתק את שאר הכבלים.
- * אם במשך תקופת זמן ארוכה אין כוונתך להשתמש בהגה המירוצים, יש לנתק את כבל החשמל שלו משקע החשמל.
- * שקע החשמל חייב להימצא סמוך לציוד ולהיות נגיש בקלות.

מידע על מתאם ספק מתח 220 וולט

יחידה	ערך	מידע שפורסם
	GUILLEMOT CORPORATION S.A. 414 196 758 Rennes Place du Granier BP 97143 Chantepie Cedex 35571 צרפת	שם היצרן או סמל מסחרי, מספר רישום מסחרי וכתובת
	V220	מזהה דגם
V	220/240	מתח כניסה
Hz	60/50	תדר כניסה AC
V AC	24.0	מתח יציאה
A	4.0	זרם יציאה
W	96.0	הספק יציאה
%	90.9	יעילות פעילה ממוצעת
%	86.8	יעילות בעומס נמוך (10%)
W	0.01	צריכת מתח ללא עומס

⚠ פתחי אוורור

יש להקפיד שלא לחסום את פתחי האוורור שעל בסיס ההגה המירוצים. לאורור מיטבי, יש להקפיד לבצע את הפעולות הבאות:

* יש להציב את בסיס ההגה במרחק של 10 ס"מ לפחות ממשטחי קירות.

* אין להציב את הבסיס בחללים צפופים.

* אין לכסות את הבסיס.

* אין לאפשר הצטברות של אבק על פתחי האוורור.

⚠
משיקולי בטיחות, אין להשתמש במערכת הדוושות בכפות רגליים חשופות או עם גרביים בלבד על הרגליים.

THRUSTMASTER® אינה נושאת בשום אחריות במקרה של פגיעה כתוצאה משימוש במערכת הדוושות ללא נעליים.

⚠ אזהרה - פגיעות עקב היזון חוזר (force feedback) ותנועות חוזרות ונשנות

משחק בהגה מירוצים עם היזון חוזר עשוי לגרום כאבי שרירים או מפרקים. כדי למנוע בעיות אפשריות:

* יש להימנע ממשחק ממושך.

* יש להקפיד על הפסקות של 10 עד 15 דקות לאחר כל שעת משחק.

* במקרה של כל תחושת חולשה או כאב בידיים, בפרקי כפות הידיים, בזרועות או ברגליים, יש להפסיק לשחק ולנוח למשך כמה שעות לפני החזרה למשחק.

* אם התסמינים או הכאב שצוינו לעיל ממשיכים בעת החזרה למשחק, יש להפסיק לשחק, ולהתייעץ עם הרופא שלך.

* יש להרחיק מהישג ידם של ילדים.

* בזמן המשחק, יש להשאיר תמיד את שתי הידיים ממוקמות כראוי על ההגה מבלי לעזוב אותו לחלוטין.

* במהלך המשחק, אין להניח את כפות הידיים או את האצבעות מתחת לדוושות או בכל מקום אחר בסמוך למערכת הדוושות.

* במהלך הכיול והמשחק, אין להכניס את היד או את הזרוע שלך דרך הפתחים בהגה המירוצים.

* יש לוודא שבסיס ההגה המירוצים מחובר היטב למקומו, בהתאם להוראות מדריך זה.

מוצר כבד



יש להיזהר לא להפיל את המוצר על עצמך או על כל אחד אחר!



הטיפול במוצר יבצע על ידי משתמשים מגיל 16 ומעלה בלבד



⚠ אזהרה – סכנת צביטה ממערכת הדוושות בזמן משחק

* יש להרחיק את מערכת הדוושות מהישג ידם של ילדים.
 * במהלך משחק, אין להניח את אצבעותיך על צדי הדוושות או בסמוך אליהם.
 * במהלך משחק, אין להניח את אצבעותיך על הבסיס האחורי של הדוושות או בסמוך אליו.
 * במהלך משחק, אין להניח את אצבעותיך על הבסיס הקדמי של הדוושות או בסמוך אליו.



⚠ אזהרה – סכנת צביטה ממערכת הדוושות שלא בזמן משחק

* יש לאחסן את מערכת הדוושות במקום בטוח, ולהרחיק מהישג ידם של ילדים.

עדכון הקושחה של הגה המירוצים שלך

ניתן לעדכן את הקושחה הכלולה בבסיס הגה המירוצים שלך לגרסה מעודכנת יותר, הכוללת שיפורים למוצר.

כדי להציג את גרסת הקושחה הנוכחית שבה נעשה שימוש בהגה המירוצים שלך ולעדכן אותה במקרה הצורך: במחשב, יש לבקר בכתובת <https://support.thrustmaster.com>. יש ללחוץ על **Racing Wheels (הגאי מירוצים) T-GT II**, ואז לבחור **Firmware (קושחה)**, ולבצע את ההוראות המתארות את הליך ההורדה וההתקנה.

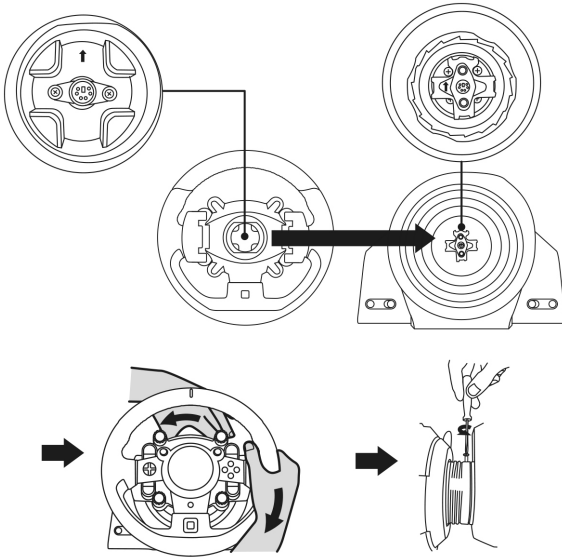
הערה חשובה:

בחיבור ל-PC, המתג המחליק להחלפת חיבור USB (II) בבסיס הגה המירוצים חייב להיות מוסט תמיד למצב "OTHER" (אחר).

התקנת ההגה על בסיס

יש ליישר את מיקומי המחברים לפי החיצים:
מחבר בסיס (1): חץ פונה כלפי מעלה
מחבר הגה המירוצים (2): חץ פונה כלפי מעלה

כאשר המחברים ממוקמים כראוי, יש לסובב את טבעת ההתקן Thrustmaster Quick Release (15) נגד כיוון השעון, תוך כדי החזקת הגה המירוצים (2) במקומו. לאחר מכן, יש להדק את הטבעת ככל הניתן: לשם כך, יש להחזיק את הטבעת במקומה, ולסובב את הגה המירוצים בכיוון השעון.

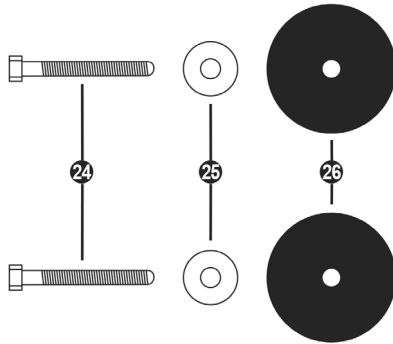


לאחר התקנת ההגה, יש לסובב אותו 180° (כאשר הנך מול ההגה, הלוגו של GT אמור להיות הפוך) כדי לגשת לבורג החיבור הקטן שנמצא על טבעת ההתקן Thrustmaster Quick Release (15). יש להשתמש במברג פיליפס גדול כדי להדק את בורג החיבור הקטן (אין להפעיל כוח מופרז), ולסובב אותו בכיוון השעון.



בעת השימוש במברג פיליפס, ודא שאינך מפעילה כוח מופרז
בעת הידוק בורג החיבור הקטן!
יש להפסיק לסובב את הבורג ברגע שתהיה תחושת התנגדות כלשהי.

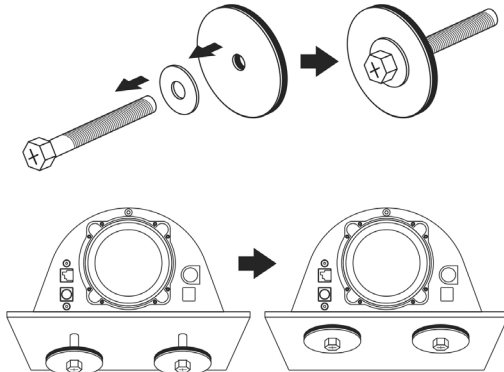
חיבור בסיס הגה המירוצים לתא שייס



24 שני ברגים עם ראש משושה מסוג M6/ראש פיליפס

25 שתי דסקיות

26 שתי דסקיות התקנה (מתכת מצד אחד, גומי מחוספס מצד שני)



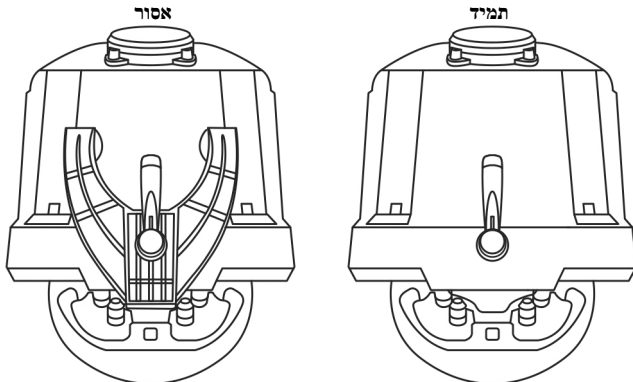
1. שים את הדסקיות (25) על צדי המתכת של דסקיות ההתקנה (26), ולהכניס את הברגים מסוג M6 עם ראש משושה/ראש פיליפס (24).
2. יש להציב את בסיס הגה המירוצים על מדף הקוקפיט.
3. באמצעות מפתח ברגים 10 מ"מ או מברג פיליפס, יש להבריג את ערכת ההתקנה של הקוקפיט למדף הקוקפיט ולתוך שני התברגים הקטנים שבתחתית ההגה.

לתשומת לבך:

- אין להסיר את רפידות הספוג שבתחתית בסיס ההגה! רפידות הספוג מגבירות את האפקט של מערכת T-DFB כשההגה מחובר.
- הצד העשוי גומי מחוספס של דסקיות ההתקנה (26) חייב לפנות אל מדף הקוקפיט = אסור שהצד המתכתי יפנה למדף תא הטייס.

חיבור הגה המירוצים לשולחן או לעמדת עבודה

1. יש למקם את הגה המירוצים על שולחן או על כל משטח יציב ושטוח אחר.
2. יש להכניס את בורג ההידוק (14) למערכת החיבור (13), ואז הדק את ההתקן על ידי סיבוב הבורג נגד כיוון השעון, כך שהוא ייכנס לתוך חור ההברגה הגדול (12) שנמצא מתחת להגה המירוצים, עד שההגה יהיה יציב לגמרי.



אזהרה:

- אין להדק את הבורג לבדו, כאשר מערכת החיבור אינה במקומה (פעולה זו עלולה לגרום נזק להגה המירוצים).
- אין להסיר את רפידות הספוג שבתחתית בסיס ההגה! רפידות הספוג מגבירות את האפקט של מערכת T-DFB כשההגה מחובר.

כיוון	חיבור/הסרה
	<p>להידוק:</p> <p>יש לסיובב את הבורג נגד כיוון השעון</p>
	<p>לשחרור:</p> <p>יש לסיובב את הבורג בכיוון השעון</p>

הגדרת הגה המירוצים עבור קונסולות PS5™ וקונסולות PS4™

1. יש לחבר את מערכת הדוושות אל המחבר שלה (19), שנמצא בצדו האחורי של בסיס הגה המירוצים.
2. יש לחבר את ספק הכוח T-TURBO (21) למחבר שלו (17).
3. יש לחבר את כבל אספקת החשמל (22) לספק הכוח T-TURBO, וחבר את הכבל לשקע חשמל שמספק מתח זהה.
4. יש להעביר את המתג המחליק להחלפת חיבור USB (11) למצב "OTHER" או "GT", בהתאם למשחק משחק PS5™ או PS4™ בו מדובר.
5. יש לחבר את כבל ה-USB המתנתק (23) למחבר שלו (18) ולאחת מיציאות ה-USB שעל קונסולת PS5™ או קונסולת PS4™.
6. לאחר הפעלה של קונסולת PS5™ או קונסולת PS4™, הגה המירוצים שלך יכיל את עצמו.
7. יש ללחוץ על הלחצן PS (9) שעל הגה המירוצים ולהיכנס לחשבונך ב-PlayStation™Network כדי להפעיל את ההגה.
כעת הכול מוכן למשחק!

הערות חשובות:

- לא לשכוח ללחוץ על הלחצן PS (9) שעל הגה המירוצים, כדי להפעיל את ההגה.

- המתג המחליק להחלפת חיבור USB (11) שעל בסיס הגה המירוצים חייב להיות מוסט תמיד למצב המתאים ("OTHER" או "GT") לפני חיבור כבל ה-USB של ההגה לקונסולה. כדי לשנות את מצבו של המתג המחליק: יש לנתק את כבל ה-USB, ולאחר מכן יש להעביר את המתג למצב המתאים, לפני חיבור כבל ה-USB בשנית אל הקונסולה.

- רשימת המשחקים של PS5™ המשחקים של PS4™ התואמים ל-T-GT II (וגם המצב הדרוש במתג המחליק להחלפת חיבור USB (11) בהתאם למשחק הנוכחי) זמינה כאן: <https://support.thrustmaster.com> (במקטע Racing Wheels (הגאי מירוצים) T-GT II). רשימה זו מתעדכנת באופן קבוע.

מתג מחליק להחלפת חיבור USB (11) במצב "OTHER" למשחקי PS5™ ולמשחקי PS4™, מלבד GT SPORT

כשהמתג המחליק להחלפת חיבור USB (11) נמצא במצב "OTHER":

* מערכת ההיזון החוזר (Force Feedback) מתפקדת, אך מערכת האפקטים של T-DFB (16) לא פועלת

מתג מחליק להחלפת חיבור USB (11) במצב "GT"

עבור המשחק GT SPORT (ומשחקים עתידיים של GT)

כשהמתג המחליק להחלפת חיבור USB (11) נמצא במצב "GT":

* מערכת ההיזון החוזר (Force Feedback) ומערכת האפקטים של T-DFB (16) מתפקדות בו-זמנית באפשרויות המשחק GT Sport, אפשר לכוונן רמת עוצמה לכל מערכת בנפרד.

למידע נוסף, יש לבקר בכתובת <https://support.thrustmaster.com>

כיול אוטומטי של הגה המירוצים ומערכת הדוושות

ההגה מכייל באופן אוטומטי כאשר הגה המירוצים יחובר לשקע החשמל ומחבר ה-USB של הגה המירוצים יחובר לקונסולה. במהלך שלב זה, הגה המירוצים יסתובב במהירות לשמאל ולימין, ויכסה זווית של 1,080 מעלות, לפני שייעצר במרכז.



אזהרה:

אין לגעת בהגה המירוצים במהלך שלב הכיול העצמי!
(פעולה זו עלולה לגרום כיול שגוי ו/או פגיעה גופנית.)

כיול עצמי של מערכת הדוושות

אין לחבר את מערכת הדוושות לבסיס הגה המירוצים (או לנתק אותה מהבסיס) כאשר היא מחוברת לקונסולה או בזמן משחק (פעולה זו עלולה לגרום כיול שגוי). יש לחבר תמיד את מערכת הדוושות לפני חיבור הגה המירוצים לקונסולה. לאחר שכיול הגה המירוצים יושלם והמשחק יתחיל, הדוושות יכילו באופן אוטומטי לאחר כמה לחיצות.



אזהרה:

אין ללחוץ על הדוושות במהלך שלב הכיול העצמי של הגה המירוצים או בזמן טעינת משחק!
(פעולה זו עלולה לגרום כיול שגוי.)

אם הגה המירוצים ו/או מערכת הדוושות אינם פועלים כראוי, או אם נראה שהם לא מכילים נכון:

יש לכבות את הקונסולה, ונתק לחלוטין את הגה המירוצים. לאחר מכן, יש לחבר מחדש את כל הכבלים (בכלל זה כבל החשמל ומערכת הדוושות), והפעל מחדש את הקונסולה ואת המשחק.

מערכת קירור פנימית עבור בסיס ההגה

מערכת הקירור הפנימית עבור בסיס ההגה - מתחילה לעבוד כאשר ההגה מופעל.

- נכבית לאחר כמה דקות של אי-פעילות, כאשר הטמפרטורה הפנימית מתקררת ומגיעה לרמה נמוכה. - מופעלת שוב כאשר נעשה שימוש בהגה.

להצגן ונורית חייווי MODE (מצב) (10)

להצגן MODE (מצב) עבור מערכת הדוושות

ניתן להחליף באופן אלקטרוני בין דוושות המאיץ למצמד.
לשם כך, לחץ על הלהצגן MODE (מצב) (10) למשך שתי שניות.
הזכרון הפנימי של הגה המירוצים מאחסן מידע המציין אם בוצע חילוף בין הדוושות.

דוושות הגז והמצמד	צבע נורית החיווי MODE (מצב) (10)
מצב רגיל	אדום
הוחלפו	ירוק

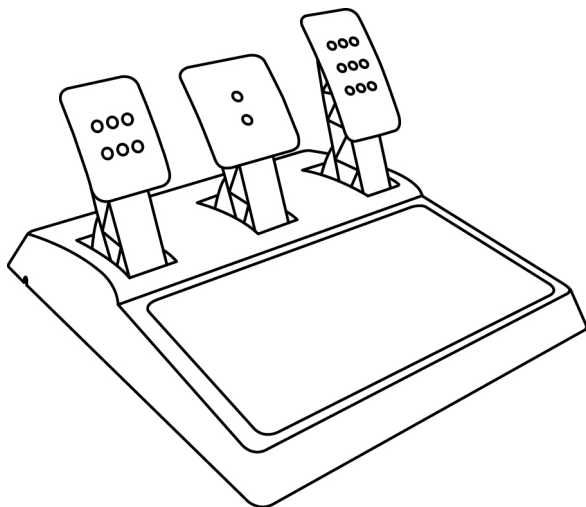
מידע נוסף בנוגע ללהצגן MODE (מצב)

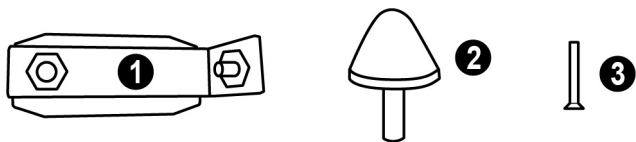
למידע נוסף על הלהצגן ונורית החיווי MODE (מצב), אפשר לבקר בכתובת <https://support.thrustmaster.com>. יש ללחוץ על **Racing Wheels** (הגאי מירוצים)/T-GT II, ולאחר מכן לבחור באפשרות **Manual** (מדריך) או **FAQ** (שאלות נפוצות).

קובצי עזרה ושאלות נפוצות

אפשר לבקר בכתובת <https://support.thrustmaster.com> יש ללחוץ על **Racing Wheels** (הגאי מירוצים)/T-GT II, ולאחר מכן לבחור באפשרות **Manual** (מדריך) או **FAQ** (שאלות נפוצות).

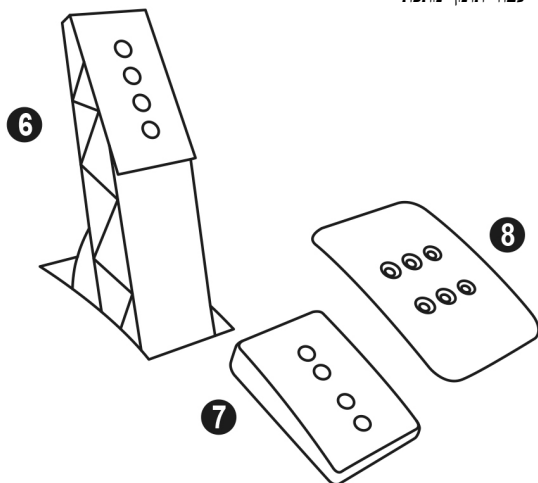
מערכת דוושות **T-GT II EDITION**





4 מפתח אלן 2.5 מ"מ (כלול)
5 אום להתאמת מיקום עבור מעצור חרוטי

1 תומך מתכתי למעצור חרוטי
(לא מותקן כברירת מחדל)
2 מעצור חרוטי
3 בורג חיבור עבור תומך מתכתי



8 ראש דוושה ממתכת

6 זרוע דוושה ממתכת
7 תומך ראש מפלסטיק

לפני השימוש במוצר זה, יש להקפיד לקרוא את ההוראות היטב ולשמור אותן לעיון בעתיד.



משיקולי בטיחות, אין להשתמש במערכת הדוושות בכפות רגליים חשופות או עם גרביים בלבד על הרגליים.
THRUSTMASTER® אינה נושאת בשום אחריות במקרה של פגיעה כתוצאה משימוש במערכת הדוושות ללא נעליים.



אזהרה - סכנת צביטה ממערכת הדוושות במהלך משחקים

- * יש להרחיק את מערכת הדוושות מהישג ידם של ילדים.
- * במהלך משחק, אין להניח את אצבעותיך או אגודליך על צד הדוושות או בסמוך אליהם.
- * במהלך משחק, אין להניח את אצבעותיך או אגודליך על הבסיס האחורי של הדוושות או בסמוך אליו.
- * במהלך משחק, אין להניח את אצבעותיך או אגודליך על הבסיס הקדמי של הדוושות או בסמוך אליו.

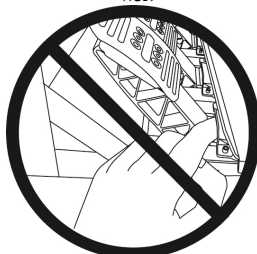
אסור



אסור



אסור





- אין לחבר את מערכת הדוושות מבסיס ההגה כאשר ההגה מחובר לקונסולת PS5™, לקונסולת PS4™ או למחשב PC, או בזמן המשחק, ואין לנתק אותה מבסיס ההגה במצבים כאמור, כדי למנוע בעיות
- יש לחבר תמיד את מערכת הדוושות להגה לפני חיבור לקונסולת PS5™, לקונסולת PS4™ או למחשב PC.

- לאחר סיום הכיוול העצמי של ההגה והפעלת המשחק, הדוושות יכיילו את עצמן באופן אוטומטי לאחר שיילחצו עליהן כמה פעמים.

- אין ללחוץ על הדוושות כאשר ההגה מבצע כיוול עצמי או בשלב ההפעלה של המשחק, כדי למנוע בעיות בכיוול.

- אם הדוושות אינן מתפקדות כראוי או שנראה שהכיוול שלהן שגוי, יש לכבות את המערכת, לנתק לגמרי את ההגה, ואז לחבר מחדש את כל הכבלים (בכלל זה כבל החשמל וכבל מערכת הדוושות), להפעיל מחדש את המערכת, ולהפעיל מחדש את המשחק.

חיבור מערכת הדוושות לתא הטייס

- יש לחבר את מערכת הדוושות באמצעות התברייגים הקטנים שנמצאים בצדה התחתון של מערכת הדוושות.

- יש להברייג שני ברגי M6 (לא כלולים) לתוך לוחית התמיכה בדוושות של תא הטייס ולתוך שני התברייגים הקטנים שנמצאים בצדה התחתון של מערכת הדוושות.

חשוב: אורך שני ברגי M6 אינו יכול להרוג מעובי לוחית התמיכה בדוושות של תא הטייס ועוד 10 מ"מ, זאת כדי למנוע נזק לרכיבים הפנימיים של מערכת הדוושות.

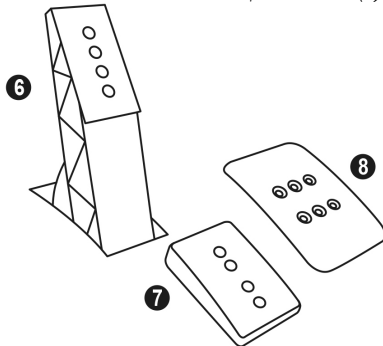
התאמת מערכת הדוושות

כל אחת משלוש הדוושות כוללת:

- ראש מתכת (8) עם כמה ניקובים (תשעה עבור המאיץ - שניים עבור הבלם - שישה עבור המצמד).

- תומך ראש מפלסטיק (7) (נמצא בין הראש לזרוע) עם ארבעה ניקובים.

- זרוע דוושה ממתכת (6) עם ארבעה ניקובים.



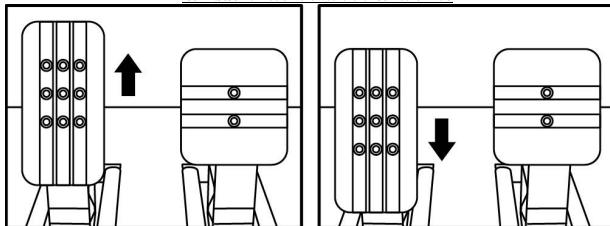
לתשומת לבך: לתשומת לבך: כדי למנוע בעיות כיוול, יש להקפיד לנתק תמיד את כבל ה-USB של ההגה שלך מקונסולת PS5™ או מקונסולת PS4™ לפני ביצוע התאמות כלשהן במערכת הדוושות שלך.

כוונון הגובה של שלוש הדוושות

- באמצעות מפתח אלן 2.5 מ"מ המצורף (4), יש לשחרר את שני הברגים המחזיקים את ראש המתכת (8) והתומך שלו (7) במקומם.

- יש לבחור את מצב הגובה המועדף עליך, ואז החזר והדק שוב את הברגים כך שראש המתכת (8) והתומך שלו (7) יוחזקו היטב במקומם.

דוגמאות המתארות את דושת ההאצה:



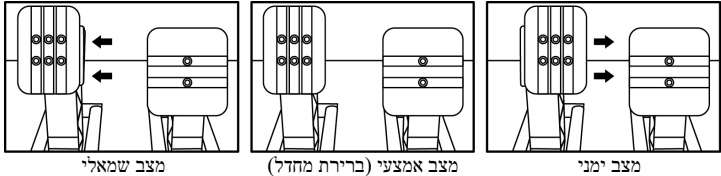
מצב גבוה

מצב נמוך

כוונן הריווח של דושת ההאצה ודושת המצמד

- באמצעות מפתח אלן 2.5 מ"מ המצורף (4), יש לשחרר את שני הברגים המחזיקים את ראש המתכת (8) והתומך שלו (7) במקומם.
- יש לבחור את המצב המועדף (שמאלה, במרכז או ימינה), ואז להחזיר ולהדק שוב את הברגים כך שראש המתכת (8) והתומך שלו (7) יוחזקו היטב במקומם.

דוגמאות המתארות את דושת המצמד:



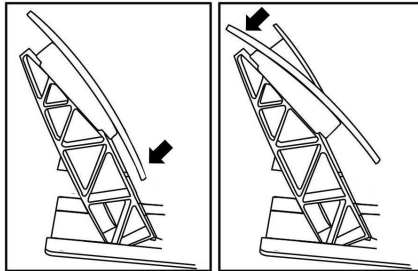
מספר מצבי הריווח האפשריים לכל דושה:

- שלושה עבור דושת ההאצה
- שלושה עבור דושת המצמד

התאמת ההטיה של שלוש הדושות

- באמצעות מפתח אלן 2.5 מ"מ המצורף (4), יש לשחרר את שני הברגים המחזיקים את ראש המתכת (8) והתומך שלו (7) במקומם.
- לסובב את תומך הראש מפלסטיק (7) 180° , ואז להחזיר ולהדק שוב את הברגים כך שראש המתכת (8) והתומך שלו (7) יוחזקו היטב במקומם.

דוגמאות המתארות את דושת ההאצה:



מצב הטיה גדולה יותר (ברירת מחדל) מצב הטיה קטנה יותר

מספר מצבי ההטיה האפשריים לכל דושה:

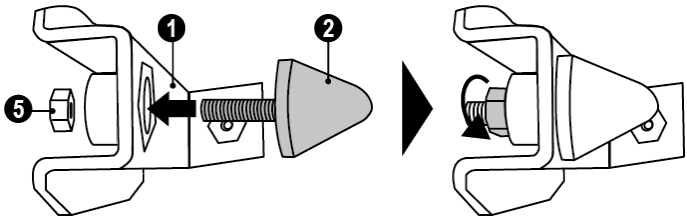
- שניים עבור דושת ההאצה
- שניים עבור דושת הבלם
- שניים עבור דושת המצמד

התקנת מעצור חרוטי (תוסף "בלם חרוטי מגומי")

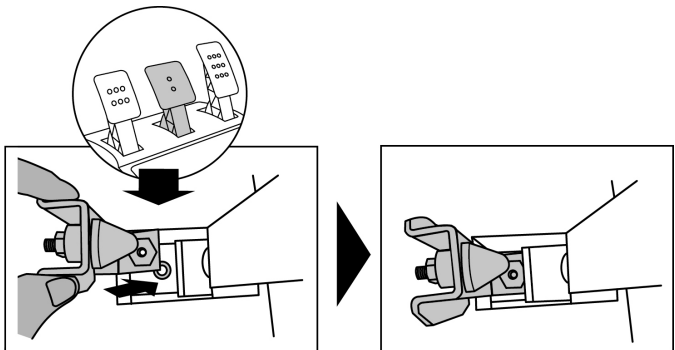
תוסף זה אינו חיוני, ואינו מותקן כברירת מחדל. משמעות הדבר היא שדושת הבלם מתפקדת באופן תקין לחלוטין גם אם התוסף אינו מותקן.

התוסף מאפשר לך לחוות תחושה והתנגדות שונות בעת הבלימה. באפשרותך להחליט אם להתקין אותו, בהתאם להעדפותיך האישיות.

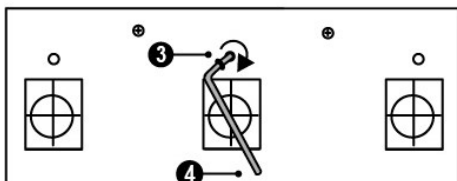
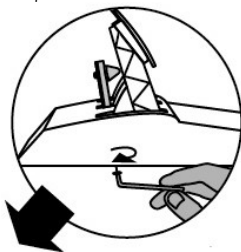
- יש להבריג את המעצור החרוטי (2) על התומך המתכתי שלו (1).
- הברג את אום התאמת המצב (5) על החלק התחתון (על גבי תבריג הבורג של המעצור החרוטי).



- יש למקם את היחידה בצד האחורי של זרוע דושת הבלם.



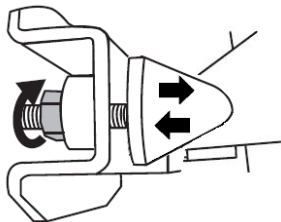
- באמצעות מפתח אלן 2.5 מ"מ המצורף (4), יש לחבר את היחידה באמצעות בורג החיבור (3) -
 תבריג הבורג המרכזי שנמצא בצדה התחתון של מערכת הדוושה.



תוסף ה"מעצור החרוטי מגומי" מותקן כעת!

התאמת טווח התנועה ועוצמת ההתנגדות של דוושת הבלם

על ידי שחרור קל של האום (5), ניתן לחזק את ההתנגדות של דוושת הבלם על ידי קירוב של
 המעצור החרוטי (2) אל הצד האחורי של זרוע הדוושה (במידת הצורך, יש להשתמש במפתח
 ברגים 14 מ"מ או בצבת כדי להדק מחדש את האום ולשמור על המצב שנבחר). ככל שהמעצור
 החרוטי יימצא קרוב יותר לצדה האחורי של זרוע הדוושה, כך תעלה עוצמת ההתנגדות.



הערה: כאשר המעצור החרוטי קרוב מאד לצדה האחורי של זרוע דוושת הבלם, ייתכן שיהיה
 קושי בהשגת ערך הכיול המרבי. במקרה זה:
 * באיטיות, יש ללחוץ בעוצמה רבה על דוושת הבלם כדי להשיג את הערך המרבי (במידת
 הצורך, עמוד לרגע קצרצר על הדוושה - ממש לשנייה אחת), ואז שחרר את הלחץ; לחלופין
 * יש להרחיק מעט את המעצור החרוטי מצדה האחורי של זרוע דוושת הבלם.

מידע בנושא אחריות לצרכן פרטי אחריות לצרכן

בעולם, Guillemot Corporation S.A., שמשרדיה הרשומים נמצאים בכתובת France, 35571 Chantepie, B.P. 97143, Place du Granier ("Guillemot" להלן) מתחייבת לצרכן, כי מוצר זה מבית Thrustmaster יהיה נטול פגמים בחומרים ובטיב העבודה, למשך תקופת האחריות התואמת למגבלת הזמן להגשת תביעת תאימות בנוגע למוצר זה. במדינות האיחוד האירופי, תקופה זו תואמת לשנתיים (2 שנים) מיום המשלוח של המוצר מבית Thrustmaster. בארצות אחרות, תקופת אחריות תואמת למגבלת הזמן להגשת תביעת תאימות בנוגע למוצר זה מבית Thrustmaster, בהתאם לחוקים החלים בארץ בה הצרכן מתגורר בתאריך הרכישה של המוצר מבית Thrustmaster (אם לא קיימת תביעה שכזו בארץ המתאימה, תקופת האחריות תהיה שנה אחת (1) מתאריך הרכישה המקורי של המוצר מבית Thrustmaster). על אף האמור לעיל, סוללות נטענות מכוסות בתקופת אחריות של שישה (6) חודשים מתאריך הרכישה המקורי.

אם נראה שהמוצר פגום במהלך תקופת האחריות, יש לפנות מיד לתמיכה הטכנית שתציין את ההליך על פיו יש לפעול. אם הפגם אושר, יש להחזיר את המוצר למקום הרכישה (או לכל מקום אחר שצוין על ידי התמיכה הטכנית).

במסגרת אחריות זו, המוצר הפגום של הצרכן יוחלף או יתוקן, בכפוף להחלטת התמיכה הטכנית. אם במהלך תקופת האחריות, המוצר מבית Thrustmaster יושפץ כאמור, כל תקופה העולה על שבעה (7) ימים במהלכה המוצר הוצא מכלל שימוש תתווסף לתקופת האחריות שנותרה (תקופה זו מתחילה מתאריך הבקשה של הלקוח להתערבות או מהתאריך בו המוצר המדובר הפך זמין לשיפוץ, אם התאריך בו המוצר הפך זמין לשיפוץ מאוחר יותר מתאריך בקשת ההתערבות). אם הדבר מותר על פי החוקים החלים, האחריות המלאה של Guillemot וחברות הבת שלה (כולל האחריות לנוקים תוצאתיים) מוגבלת להחלפה או לתיקון של המוצר מבית Thrustmaster. אם הדבר מותר על פי החוקים החלים, Guillemot מתנעת מכל אחריות בנוגע לסחירות או התאמה למטרה מסוימת.

אחריות זו לא תחול: (1) אם המוצר הותאם, נפתח, שונה או ספג נזק כתוצאה משימוש בלתי הולם או שימוש לרעה, הונחה, תאונה, בלאי רגיל, או כל סיבה אחרת שאינה קשורה לפגם בחומרים או בייצור (כולל, אך לא מוגבל לשילוב של המוצר מבית Thrustmaster עם כל אלמנט בלתי מתאים, כולל בייחוד ספקי כוח, סוללות נטענות, או כל אלמנט אחר שאינו מסופק על ידי Guillemot עבור מוצר זה); (2) אם המוצר שימש למטרה כלשהי שאינה שימוש ביתי, כולל למטרות מקצועיות או מסחריות (למשל, חדרי משחקים, הכשרה, תחרויות); (3) במקרה של חוסר ציוד הוראות המסופקות על ידי התמיכה הטכנית; (4) על תוכנה, התוכנה המדוברת כפופה לאחריות ספציפית; (5) על חומרים מתכלים (רכיבים שיש להחליף לאורך חיי המוצר: סוללות חד פעמיות, אוזניות שמע, או רפידות האוזניים של האוזניות); (6) על אביזרים (למשל, כבלים, נרתיקים, תיקים, פאז'ים, רצועות די); (7) אם המוצר נמכר במכירה פומבית.

האחריות אינה ניתנת להעברה.

הזכויות החוקיות של הצרכן בנוגע לחוקים החלים על מכירת סחורות לצרכן בארצו, לא יושפעו על ידי אחריות זו.

הוראות נוספות במסגרת האחריות

במהלך תקופת האחריות, Guillemot לא תספק, באופן עקרוני, חלקי חילוף כלשהם, משום שהתמיכה הטכנית היא הגוף היחיד המוסמך לפתוח ו/או לשפץ מוצרים מבית Thrustmaster (לא כולל הליכי שיפוץ שהתמיכה הטכנית עשויה לדרוש שהלקוח יבצע, באמצעות הוראות בכתב - לדוגמה, עקב פשטות הליך השיפוץ והיותו בלתי חסוי - ובאמצעות אספקת חלקי*) החילוף הנחוצים לצרכן, כאשר הדבר רלוונטי).

עקב מחזורי החידושים שלה, ועל מנת להגן על סודות המידע והמסחר שלה, Guillemot לא תספק, באופן עקרוני, הודעות שיפוץ או חלקי חילוף עבור מוצר כלשהו מבית Thrustmaster אשר תקופת האחריות שלו פגה.

הבת

אם הדבר מותר על פי החוק החל, Guillemot Corporation SA. (להלן "Guillemot") וחברות הבת שלה מתנערות מכל חבות שהיא עבור נזקים שגרמו על ידי אחד או יותר מהדברים הבאים: (1) המוצר הותאם, נפתח או שונה; (2) אי ציות להוראות ההרכבה; (3) שימוש בלתי הולם או שימוש לרעה, הזנחה, תאונה (למשל, פגיעה); (4) בלאי רגיל; (5) שימוש במוצר למטרה כלשהי שאינה שימוש ביתי, כולל למטרות מקצועיות או מסחריות (למשל, חדרי משחקים, הכשרה, תחרויות). אם הדבר מותר על פי החוק החל, Guillemot ובנות הבת שלה מתנערות מכל אחריות בנוגע לנזקים כלשהם שאינם קשורים לפגם בחומר או בייצור בהקשר למוצר (כולל, אך לא מוגבל לנזקים כלשהם הנגרמים באופן ישיר או עקיף על ידי תוכנה, או על ידי שילוב של מוצר מבית Thrustmaster עם רכיבים לא מתאימים, כולל בייחוד ספקי כוח, סוללות נטענות, מטענים או כל רכיב אחר שלא סופק על ידי Guillemot עבור מוצר זה).

THRUSTMASTER®

תמיכה טכנית

<https://support.thrustmaster.com>



זכויות יוצרים

Guillemot Corporation S.A. ©2021 Guillemot Corporation S.A. כל הזכויות שמורות. Thrustmaster® הוא סימן מסחרי רשום של Guillemot Corporation S.A. מיוצר ומופץ על ידי Guillemot Corporation S.A. כל שאר הסימנים המסחריים ושמות המותגים מוכרים בזאת ומתווים קניין רוחני של בעליהם. התוכן, העיצוב והמפרטים נתונים לשינויים ללא התראה מראש, ועשויים להשתנות ממדינה למדינה. התמונות והאיוורים אינם מחייבים. מעוצב בצפון אמריקה ובאירופה, תוצרת סין.

לשימוש בלעדי עם קונסולות PlayStation®5 וקונסולות PlayStation®4.

"PS", "PlayStation", "PS5" ו-"PS4" הם סימנים מסחריים רשומים של Sony Interactive Entertainment Inc. כל הזכויות

שמורות. כל הסימנים המסחריים האחרים הם רכושם של בעליהם. מיוצר ומופץ ברישיון מ-Sony Interactive Entertainment LLC.

Gran Turismo ההלוגו של Gran Turismo הם סימנים מסחריים רשומים של Sony Interactive Entertainment Inc.

טכנולוגיית TouchSense® ברישיון מ-Immersion Software Ireland Limited. מוגן בפטנט אחד או יותר בארה"ב. הפטנטים מפורטים בכוחות הבאה: www.immersion.com/patent-marking.html, ובפטנטים אחרים הנמצאים בהמתנה.

המלצה בנוגע להגנה על הסביבה

באיווד האירופי, בבריטניה ובטורקיה: עם סיום חיי השימוש שלו, אין להשליך מוצר זה ביחד עם פסולת ביתית רגילה, אלא יש להביאו לנקודת איסוף לסילוק פסולת חשמלית לצורך מיחזור (WEEE) ואלקטרונית

עובדה זו ניתנת לאימוץ באמצעות הסמל המופיע על המוצר, המדריך למשתמש או האריזה. ניתן למחזור את החומרים, בהתאם לתכונותיהם. באמצעות מיחזור ודרכים אחרות לעיבוד פסולת חשמלית ואלקטרונית, באפשרותך לתרום תרומה משמעותית להגנה על הסביבה.



למידע על נקודת האיסוף הקרובה אליך יש לפנות לרשויות המקומיות.

לכל הארצות האחרות: יש לציית לחוקי המיחזור המקומיים לצידוד חשמלי ואלקטרוני.

יש לשמור מידע זה. הצבעים והקישוטים עשויים להשתנות.

לפני השימוש, יש להסיר מהמוצר מהדקי פלסטיק ומדבקות.

www.thrustmaster.com

* רלוונטי באיווד האירופי, בבריטניה ובטורקיה בלבד

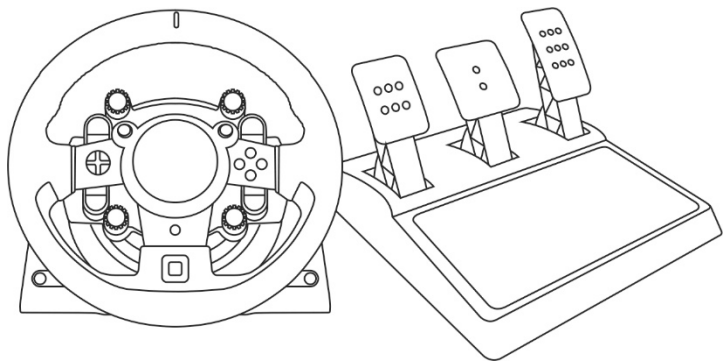


immersion.



T-GT III

ユーザーズマニュアル



警告:

PlayStation®4 または PlayStation®5 のシステムソフトウェアのバージョンによっては、全ての機能がお使いいただけない場合があります。
その場合は、最新のシステムソフトウェアにバージョンアップしてからご利用下さい。
システムソフトウェアのバージョン確認およびアップデートに関しましてはお使いのゲーム機本体の取扱説明書を御覧ください。

本製品は PlayStation®2、PlayStation®、PS one®では、ご使用になれません。
また、PlayStation®3 専用、PlayStation®2 規格のソフトウェアでの動作につきましては保証いたしかねます。

保証規定

※ 本製品を使用される前に必ずお読みください。

この度は、本製品をお買い上げいただき誠にありがとうございます。以下の保証規定をお読みいただき内容を同意の上、本製品をご使用ください。

初期不良期間はお買い上げ日から1週間とさせていただきます。

保証期間は お買い上げ日から1年間です。

注意：

個人売買（インターネット等）で購入された際の購入日は、保証開始日として起算できません。社会的信用のある販売店での購入時のみ、購入日を保証開始日としますので、個人売買の場合は、商品の発売日から保証開始日として起算させていただきます。

製品がユーザーマニュアル記載の通常の使用方法により正常に動作しなくなった場合は、弊社の判断で無償にて交換／修理いたします。完売等の場合は同等品と無償で交換いたします。交換の場合、お客様からお送りいただいた製品等は返却いたしかねます。また、修理の際に取り外した部品等も返却いたしかねます。

保証期間内でも、次の場合は保証が受けられません。

1. 弊社製品と判断出来ない場合。
2. ハードウェア自身の消耗に起因する故障または損傷（本製品は性質上、物理的な機構の耐久性能に依存する製品寿命がございます）。
3. 火災、地震、水害、落雷、ガス害、塩害、その他の天災地変、公害や異常電圧による故障または損傷。
4. お買い上げ後の輸送、移動時の落下などお取り扱いが不適当なため生じた故障・損傷。
5. ご使用時の不備あるいは接続している他の機器によって生じた故障または損傷。
6. ユーザーマニュアルの記載内容に反するお取り扱いによって生じた故障または損傷。
7. 弊社以外で改造、調整、部品交換などをされた場合。
8. 本製品の故障に起因するデータ損失などの付随する損害に関しては一切保証できません。
9. ご使用環境との相性問題に関する返品、返金等。
10. ゲームソフトとの相性問題に関する返品、返金等。
11. 一般家庭以外（例えば業務用）でのご使用による故障、損傷または不具合。
12. その他、弊社が、交換を認め難い不適切な行為があると判断した場合。
13. 購入日が確認できるレシートがない場合。

カスタマーサポート

本製品に異常を感じられた場合は、すぐに使用を中止し、カスタマーサポートへご相談ください。

■保証を受ける際に用意するもの

購入店と購入した日付が分かる書類（購入時のレシート、保証書シール、保証書レシート、通販の代引伝票など）が必要となります。

それらは決して捨てたりせずに大切に保管してください。

ご購入日付を証明する書類をご呈示いただけない場合、保証期間内であっても有償での修理対応となりますので、あらかじめご了承ください。

又、保証を受ける権利はご購入者以外（保証の譲渡）が所有する事はできません。

■ご送付についてのご案内

本製品に異常が発生した場合、カスタマーサポートにご相談頂いた後に、本製品をカスタマーサポートまでご送付いただく場合がございます。現象、環境等の詳細をお書き添え頂き、配送業者様の送り状（伝票）に“不良検証品”と明記の上、お買い上げ時のレシート等と共に本製品をお送りください。

発送される際は、紛失等のトラブルを防ぐため、必ず受領確認の取れる宅配便でご送付ください。

封書、郵便小包等の郵送は固くお断り申し上げます。

※なお、輸送中の事故については、弊社にて責任を負いかねます。あらかじめご了承ください。

■交換／修理依頼時のご注意

以下の点をご了承の上、交換／修理をご依頼頂きますようお願いいたします。

1. 交換／修理のご依頼について:交換／修理のご依頼は日本国内にお住まいの方とさせていただきます。
2. 代替機の貸出について:交換／修理に伴う代替機の貸出等は行っておりません。
3. 製品の交換について:修理が困難な場合には、修理せずに同等品と交換させて頂く場合がございます。この場合、お客様にて貼られたシールなどはお返しできません。
4. お客様が設定されたデータについて:弊社にて修理作業を行う際にお客様が設定されたデータを消去する場合があります。この場合は、工場出荷初期状態でお返しすることとなります。(製品ごと交換する場合も同様です)

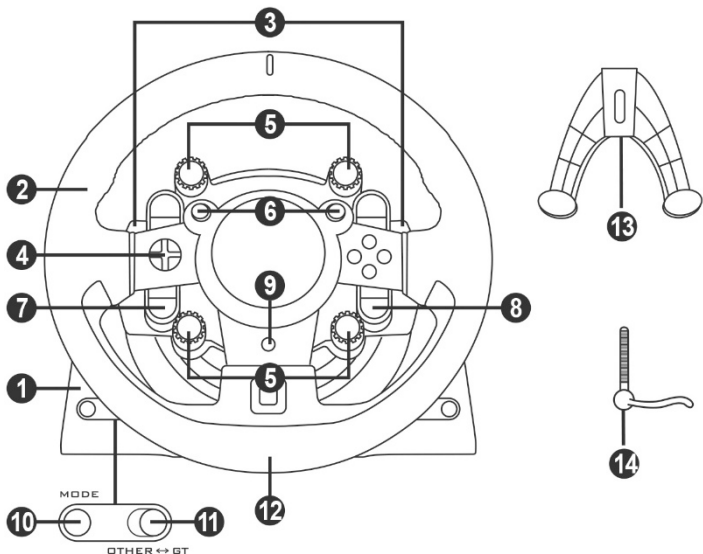
■送料について

1. 初期不良期間内（お買い上げ日から1週間）:初期不良期間の送料は往復共に弊社が負担させていただきます。
2. 初期不良期間終了以降～保証期間終了まで:弊社にご送付頂く際の送料はお客様にてご負担願います。
3. 製品を返送する際の送料は弊社にて負担させていただきます。

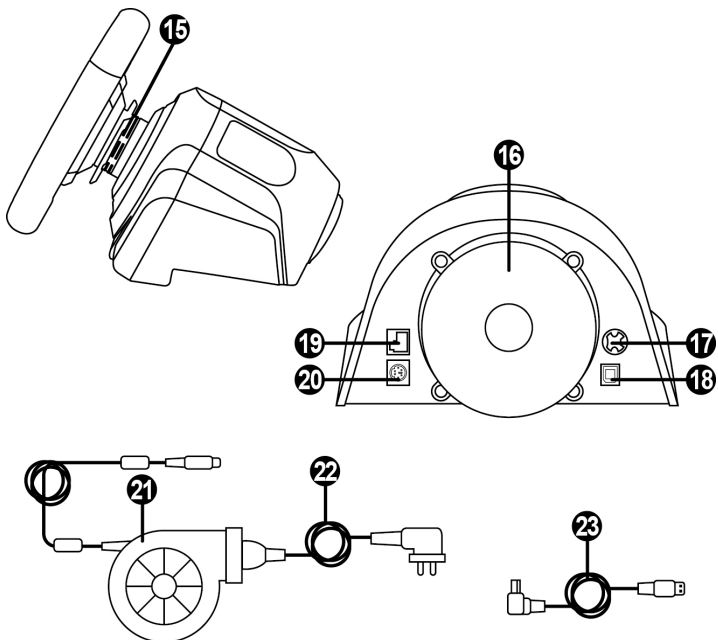
カスタマーサポート連絡先

<https://support.thrustmaster.com/ja/>

技術仕様



- | | |
|---|------------------------------------|
| 1 T-GT ベース部 | 8 OPTIONS ボタン |
| 2 T-GT ステアリングホイール | 9 PS ボタン |
| 3 シーケンシャル パドルシフト x 2 (上下) | 10 MODE ボタン + 赤/緑インジケータランプ |
| 4 方向キー | 11 内蔵 USB スライドスイッチ:その他/GT |
| 5 プッシュ機能付きロータリーセクタ x 4 (PS5™または PS4™ の GT モードおよび PC と互換性あり) | 12 大きなねじ穴 (アタッチメントシステム および締め付けねじ用) |
| 6 ミスティック x 2 (PS5™または PS4™ の GT モードおよび PC と互換性あり) | 13 アタッチメントシステム |
| 7 PS4™では SHARE ボタン /PS5™では CREATE ボタン | 14 金属製取り付けねじ |



- | | |
|---|----------------------------|
| 15 Thrustmaster クイックリリース | 20 TH8A シフター用コネクタ（シフターは別売） |
| 16 T-DFB エフェクトシステム（PS5™または PS4™ の GT モードのみと互換性あり） | 21 T-TURBO 電源 |
| 17 T-TURBO 電源用コネクタ | 22 主電源ケーブル |
| 18 取り外し式 USB ケーブル用コネクタ | 23 取り外し式 USB ケーブル |
| 19 ペダルセット用コネクタ | |

**ステアリングホイールを電源コンセントに接続する:
注意深くお読みください！**



絶対に T-TURBO の電源ユニットを、電圧の異なるコンセントに差し込まないでください！ T-TURBO 電源ユニットの電圧は、電源ケーブルのメスコネクタ上部にあるラベルに記載されています。



たとえコネクタ形状が同じであっても、絶対に T-TURBO 専用以外の電源ユニットを T-GT ベース部に接続しないでください！たとえば、T500 RS ステアリングホイール用の電源アダプターを T-GT ベース部に接続しては絶対にいけません。

警告

本製品を使用する前にこのマニュアルをよくお読みになり、いつでも参照できるよう手近な所に保管してください。



警告 - 感電

- * 本製品は湿気・ホコリの多い場所や、直射日光のあたる場所で保管しないでください。
- * コネクターやケーブルを、ねじったり引っ張ったりしないでください。
- * 本製品やコネクターをぬらさないでください。
- * 本製品をショートさせないでください。
- * 分解や改造は絶対にしないでください。本製品を火の中に投棄したり、高温にさらしたりしないでください。
- * 付属の電源ケーブル以外は使用しないでください。
- * 電源ケーブルやコネクターが破損していたり、裂けていたり、断線している場合は絶対に使用しないでください。
- * 電源ケーブルの片方がコンセントにしっかり差し込まれており、もう片方がステアリングホイールのベース部の背面にしっかりと接続されていることをご確認ください。
- * ステアリングホイールを分解しないでください: 内部にはユーザーが保守可能な部品はありません。修理はカスタマーサポートまでご依頼ください。
- * メーカー指定のアタッチメント/アクセサリ以外は使用しないでください。
- * ステアリングホイールの動作に異常 (変なにおいや音、過度な発熱など) が発生したときは、使用をただちに中止し、電源コードをコンセントから抜き、他のケーブルもすべて抜いてください。
- * ステアリングホイールを長期間使用しない場合は、必ず電源コードをコンセントから抜いておいてください。
- * 電源コンセントの場所は、必ず本体の近くで、なおかつアクセスしやすい場所にあることを確認してください。



排気口

ステアリングホイールのベース部にある排気口をふさがないでください。最適な換気を確保するため、以下を必ずお守りください。

- * ステアリングホイールのベース部を、壁面から少なくとも 10cm 以上離してください。
- * ベース部を狭いスペースに置かないでください。
- * ベース部をふさがないでください。
- * 排気口にホコリがたまらないようにしてください。



ペダルセットは、裸足もしくは靴下しか着用していない状態で絶対に使用しないでください。

THRUSTMASTER® は、靴を着用せずにペダルセットを使用したことによって生じたいかなるケガについても一切責任を負いません。



警告 - フォースフィードバック、および繰り返しの動きによる負傷の可能性

フォースフィードバック対応ステアリングホイールを使ったゲームプレイは、筋肉や関節の痛みなどの症状を引き起こす恐れがあります。この危険性は、次のような予防措置をとることによって減らすことができます。

- * 長時間のプレイは避けてください。
- * 1 時間ごとに 10～15 分の休憩をとるようにしてください。
- * 手、手首、腕、足を始めとする身体の部位に疲れや痛みを感じたときはプレイをただちに中止し、再開する前に数時間の休憩をとるようにしてください。
- * 休憩後にプレイを再開しても、上記の症状や痛みがとれない場合は、プレイを中止して医師に相談してください。
- * 本製品は、お子様の手の届かない場所で使用してください。
- * ゲームプレイ中は常に、ステアリングホイールの正しい位置に両手を置いて使用してください。ステアリングホイールから両手を完全に離さないでください。
- * ゲームプレイ中は、ペダルの下およびペダルセット付近に指を絶対に置かないでください。
- * 調整中およびゲームプレイ中は、絶対に手や腕をステアリングホイールのすき間に置かないでください。
- * ステアリングホイールのベース部が、マニュアルの指示通りに正しく固定されていることを確認してください。

重量注意



本製品の対象年齢は
16 歳以上です。



本製品を、自分や人に落とさないようにご注意ください。

正



誤



誤





警告 - ペダル挟まれ危険 (プレイ時)

- *ペダルセットは、お子様の手の届かない場所で使用および保管してください。
- *プレイ中は、ペダルの両サイド付近に指を絶対に置かないでください。
- *ゲームプレイ中は、ペダルの後方ベース部付近に指を絶対に置かないでください。
- *プレイ中は、ペダルのフロントベース部付近に指を絶対に置かないでください。

危険



危険



危険



警告 - ペダル挟まれ危険 (非プレイ時)

- *ペダルセットは、子供の手が届かない安全な場所に保管してください。

レーシングコントローラーのファームウェアのアップデート

ステアリングホイールのベース部に搭載されているファームウェアは、製品機能の改良・強化が図られた最新ファームウェアにアップデートすることが可能です。

お使いのステアリングホイールの現在のファームウェアバージョンを表示し、必要に応じてアップデートを行うには次の URL にアクセスしてください (PC から): <https://support.thrustmaster.com/ja/>。[ステアリングホイール/ T-GT] をクリックし、[ドライバ] を選択してファームウェアのダウンロードおよびセットアップ手順にしたがってください。

重要な注意事項:

PC で使用時には、レーシングコントローラーのベース部にある USB スライドスイッチ (11) は常に「OTHER」のポジションにセットしておく必要があります。

ステアリングホイールをベース部に設置する

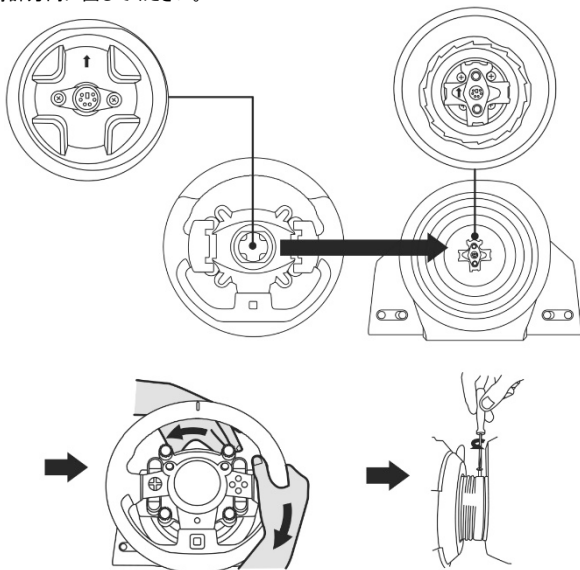
矢印を使って、コネクターの位置を合わせます。

ベース部 (1)コネクター:上向き矢印

ステアリングホイール (2)コネクター:上向き矢印

コネクターを正しい位置にセットしたら、Thrustmaster クイックリリース (15) デバイスのリングを、ステアリングホイール (2) の位置を固定しながら逆時計回りに回すだけです。

次に、リングをできるだけきつく締めます。リングの位置を固定した状態で、ステアリングホイールを時計方向に回してください。



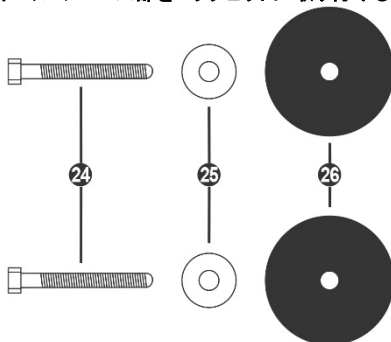
ステアリングホイールをインストールしたら、180° 回転させることで (ステアリングホイールを正面から見たとき、GT ロゴが逆さになります)、Thrustmaster クイックリリース (15) デバイスのリング部にある小さな取り付けねじにアクセスできます。大きなプラスドライバーで、小さな取り付けねじを時計方向に回して締めます (締めすぎ注意)。



プラスドライバーで小さな取り付けねじを締める際には、力の入れすぎにご注意ください。少し抵抗を感じたら、それ以上ねじを回さないでください。

ステアリングホイールを取り付ける

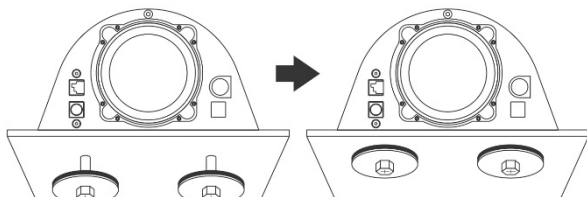
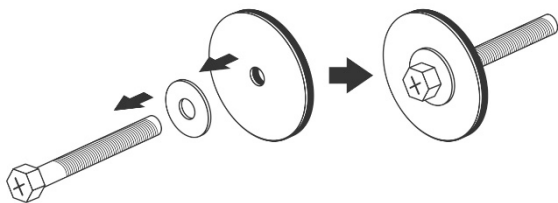
ステアリングホイールのベース部をコックピットに取り付ける



24 M6 タイプ六角/十字ボルト x 2 個

25 ワッシャー x 2 個

26 取り付けディスク x 2 枚 (片面は金属、もう片面はテクスチャードラバー)



1. ワッシャー (25) を取り付けディスク (26) の金属面に乗せ、M6 タイプ六角/十字ボルト (24) を差し込みます。
2. ステアリングホイールのベース部を、コックピットの上に置きます。
3. 10 mm の六角レンチまたはプラスドライバーを使って、コックピット取り付けキットをコックピット棚と、ステアリングコントローラーの底面にある 2 つの小さなねじ穴に取り付けます。

注意:

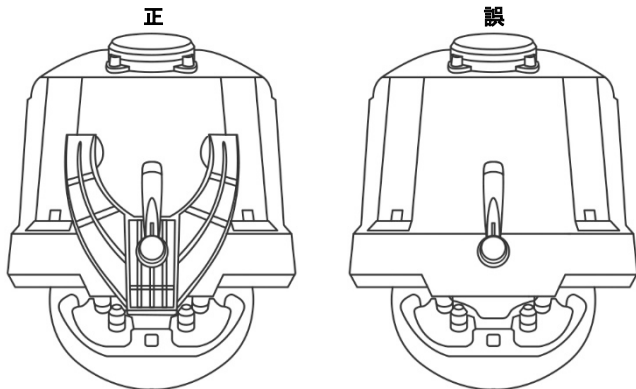
-レーシングコントローラの底面に配置されているフォームパッドは取り外さないでください！フォームパッドは、ステアリングホイール取付時に T-DFB システムの効果を増幅します。

-取り付けディスク (26) のテクスチャードラバー面は、必ずコックピット棚のほうに向けて配置してください。金属面は絶対にコックピット棚のほうに向けしないでください。

注意:レーシングコントローラの底面に配置されているフォームパッドは取り外さないでください！フォームパッドは、ステアリングホイール取付時に T-DFB システムの効果を増幅します。

ステアリングホイールをテーブルまたは机に取り付ける

1. ステアリングホイールを、テーブルなど平らで水平かつ、安定した場所に置きます。
2. アタッチメントシステム (13) に締め付けねじ (14) を差し込み、ねじを逆時計回りに回して、ステアリングホイール底面の大きなねじ穴 (12) に締め込みます (ステアリングホイールがしっかりと固定されるまで)。



警告:

-絶対に、アタッチメントシステムを取り付けずにねじだけを閉めないでください。ステアリングホイールが損傷する恐れがあります。

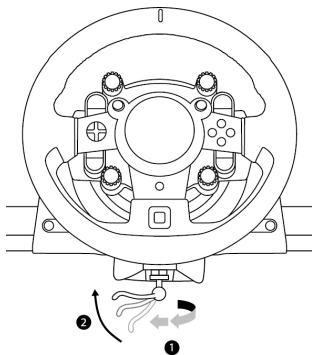
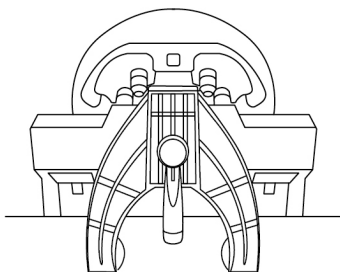
-レーシングコントローラの底面に配置されているフォームパッドは取り外さないでください！フォームパッドは、ステアリングホイール取付時に T-DFB システムの効果を増幅します。

取り付け / 取り外し

方向

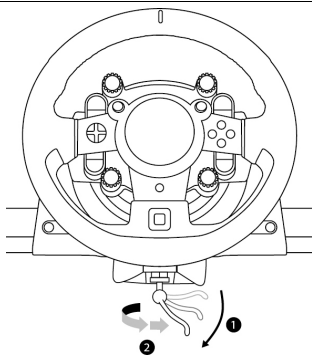
締めるとき:

**ねじを
逆時計回り**



取り外すとき:

**ねじを
時計回り**



レーシングコントローラーを PlayStation®4 または PlayStation®5 用にセットアップする

1. ペダルセットを、レーシングコントローラーのベース部の背面にあるコネクタ(19)に接続します。
2. T-TURBO 電源 (21)をコネクタ(17)に接続します。
3. 電源ケーブル (22) を同じ電圧仕様のコンセントに差し込んでください。
4. USB スライドスイッチ (11)を、プレイする PS4™ または PS5™ ゲームに応じて、「OTHER」または「GT」のポジションにセットします。
5. 取り外し式 USB ケーブル (23)をコネクタ (18)に接続、PS4™ または PS5™ のいずれかの USB 端子に接続します。
6. PS4™ または PS5™ の電源を入れると、ステアリングホイールの調整が行われます。
7. このステアリングホイールを使用するには、PS ボタン (9) を押してから、PlayStation™Network アカウントにログインしてください。
これでプレイの準備が整いました！

重要な注意:

***このステアリングホイールを使用するには、必ず PS ボタン(9)を押す必要があります。**

-PC で使用時には、レーシングコントローラーの USB ケーブルを接続する前に、ベース部にある USB スライドスイッチ (11) を常に「OTHER」または「GT」のポジションにセットしておく必要があります。

スライドスイッチのポジションを変更するには、ゲーム機本体から USB ケーブルを取り外し、スイッチのポジションを変更してから USB ケーブルをつなぎ直します。

-T-GT と互換性のある PlayStation®5 および PlayStation®4 ゲームの一覧 (および各ゲームプレイ時に必要となる USB スライドスイッチ (11) のポジション) は次の URL に確認できます: <https://support.thrustmaster.com/ja/> (「Racing Wheels/T-GT」ページ)この一覧は定期的に更新されます。

「OTHER」ポジションの USB スライドスイッチ (11)

「グランツーリスモSPORT」を除く PS4™ または PS5™ ゲーム用

USB スライドスイッチ (11)を「OTHER」ポジションにセット時:

- *このステアリングホイールは多くのゲームで T300RS として認識されます。
- *プッシュ機能付きロータリーセレクター x 4 (5) は動作しません。
- *ミニスティック 2 本 (6) は動作しません。
- *フォースフィードバック システムは動作しますが、T-DFB エフェクトシステム (16) は動作しません。

「GT」ポジションの USB スライドスイッチ (11)

（「グランツーリスモSPORT」および今後リリース予定の GT シリーズ 用）

USB スライドスイッチ (11)を「GT」ポジションにセット時:

- *このステアリングホイールは T-GT として認識されます。
- *プッシュ機能付きロータリーセクター x 4 (5)は動作します。
- *ミニスティック 2 本 (6)は動作します。
- *フォースフィードバック システムと T-DFB エフェクトシステム (16)は両方とも同時に動作します。「グランツーリスモSPORT」のオプション設定では、各システムのパワーレベルを個別に調節できます。

ステアリングホイールとペダルセットの自動調整

ステアリングホイールを電源コンセントにつなげて、ステアリングホイールの USB コネクターを PlayStation®4 に接続すると、ステアリングホイールの自動調整が実行されます。

自動調整では、ステアリングホイールが左右方向に合計 1080° すばやく回転し、最後にセンターで停止します。



警告:

自動調整が行われている間は、絶対にステアリングホイールに触れないでください。調整が正しく行われなかったり、ケガをしたりする恐れがあります

ペダルセットの自動調整

ステアリングホイールがゲーム機に接続されている状態、もしくはゲームプレイ中は、絶対にペダルセットをステアリングホイールのベース部に接続（またはベース分から取り外し）しないでください。調整が正しく行われない場合があります。

ペダルセットは必ず、ステアリングホイールをゲーム機に接続する前に、ステアリングホイールに接続してください。

ステアリングホイールの調整が完了してゲームが起動した後、ペダルを数回踏むとペダルは自動的に調整されます。



警告:

ペダルの自動調整が行われている間やゲームのロード中は、絶対にペダルを踏まないでください！調整が正しく行われない恐れがあります。

ステアリングホイールやペダルセットが正しく動作しない、あるいは調整が正しくないとと思われる場合:

ゲーム機本体の電源をオフにし、ステアリングホイールを完全に取り外します。次に、(電源ケーブルとペダルのセットを含む) すべてのケーブルをつなぎ直してから、ゲーム機本体とゲームを再起動してください。

ステアリングホイールのベース部の内部冷却システム

ステアリングコントローラーのベース部の内部冷却システム

- ステアリングコントローラーの電源を入れると自動的に動作を開始します。
- 操作がない状態が数分間続き、内部温度が低くなるとオフになります。
- ステアリングコントローラーを使用すると再びオンになります。

MODE ボタンおよびインジケータランプ (10)

ペダルセット用 MODE ボタン

アクセルとクラッチペダルは電子的にスワップできます。

スワップを行う場合は、MODE ボタン (10) を 2 秒間押し続けます。

ペダルのスワップ状態は、ステアリングホイールの内蔵メモリに保存されます。

アクセルとクラッチペダル	MODE インジケータ (10) の色
ノーマル	赤
スワップ	緑

MODE ボタンに関するその他の情報

MODE ボタンおよびインジケータランプについてさらに詳しく知るには、<https://support.thrustmaster.com/ja/> をご覧ください。[ステアリングホイール / T-GT] をクリックし、[マニュアル / FAQ] を選択してください。

ヘルプ ファイルとよくある質問 (本マニュアルには含まれていません)

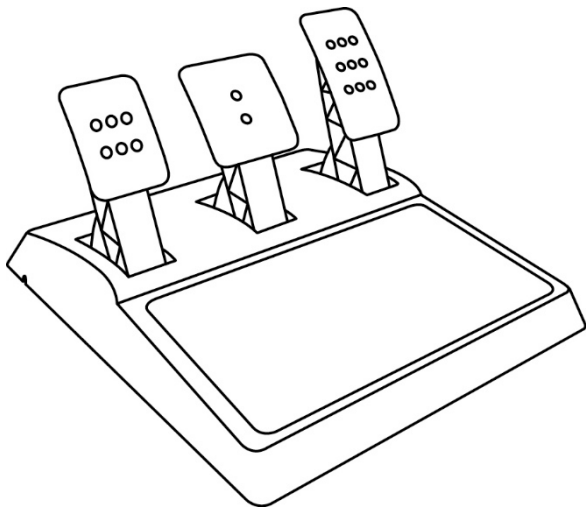
<https://support.thrustmaster.com/ja/> を参照してください。また、[ステアリングホイール / T-GT] をクリックし、[マニュアル / FAQ] を選択してください。

レーシングコントローラーを PC 用にセットアップする* レーシングコントローラーのファームウェアのアップデート

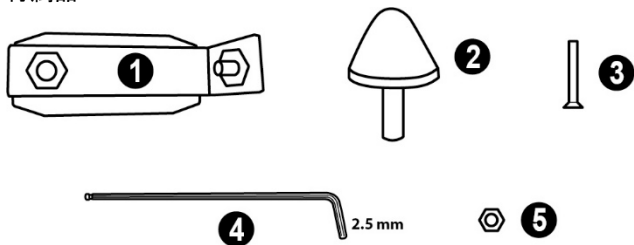
* PC との互換性は Sony Interactive Entertainment Inc.によって検証・承認されていません。

詳しくは <https://support.thrustmaster.com/ja/> を参照してください。

T-GT II EDITION ペダルセット



付属品



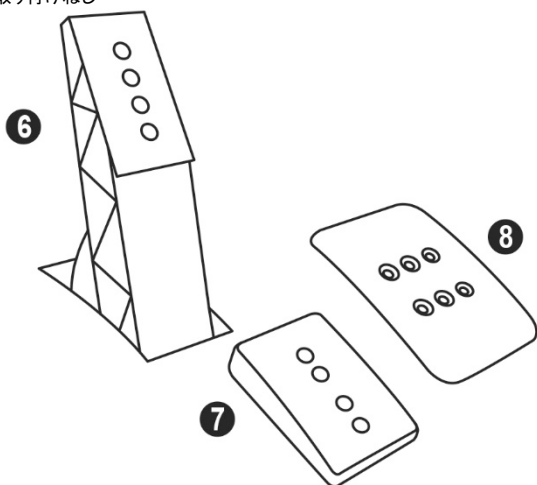
1 コニカルラバーブレーキ MOD ステータス
(出荷時には取り付けられていません)

2 コニカルラバーブレーキ MOD

3 ステータス取り付けねじ

4 2.5 mm 六角レンチ (付属)

5 コニカルラバーブレーキ MOD 位置調整ナット



6 金属製ペダルアーム

7 プラスチック製ヘッドサポート

8 メタルペダルパネル

警告

本製品をお使いになる前に、このマニュアルをしっかりとお読みになり、いつでも参照できる場所に保管しておいてください。



ペダルセットは、裸足もしくは靴下しか着用していない状態で絶対に使用しないでください。安全のため、必ず靴を着用してください。

THRUSTMASTER® は、靴を着用せずにペダルセットを使用したことによって生じたいかなるケガについても一切責任を負いません。



警告 - ペダルセット挟まれ危険

- * ペダルセットは、お子様の手の届かない場所で使用および保管してください。
- * プレイ中は、ペダルの両サイド付近に指を絶対に置かないでください。
- * プレイ中は、ペダルの後方ベース部付近に指を絶対に置かないでください。
- * プレイ中は、ペダルのフロントベース部付近に指を絶対に置かないでください。

危険



危険



危険



ペダルの自動調整



重要:

- 調整トラブルを避けるため、ステアリングホイールが PS4™ または PS5™ または PC に接続された状態で、ステアリングホイールのベース部からペダルセットを絶対に取り外さないでください。
- ペダルセットは必ず、PS4™ または PS5™ または PC に接続する前に、ステアリングホイールに接続してください。
- ステアリングホイールの自動調整が終了してゲームが起動すると、ペダルも数回踏まれることで自動的に調整されます。
- 調整トラブルを防ぐため、ゲームの起動中は絶対にステアリングホイールを動かしたり、ペダルを踏んだりしないでください。
- ペダルセットが正しく動作しない、あるいは調整が正しくないと思われる場合は、ゲーム機本体の電源をオフにし、ステアリングホイールを完全に取り外します。次に、(電源ケーブルとペダルのセットを含む) すべてのケーブルをつなぎ直してから、ゲーム機本体とゲームを再起動してください。

ペダルセットをコックピットに取り付ける

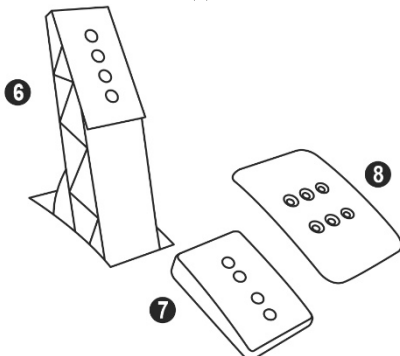
- ペダルセットを、ペダルセット底面のねじ山を使って取り付けます。
- 2 本の M6 ねじ (付属していません) をコックピットのペダルサポートプレートに通し、ペダルセット底面の 2 つの小さなねじ穴に差し込みます。

重要: 使用する M6 ねじ 2 本の長さが、コックピットのペダルサポートプレートの厚さ + 10 mm を超えないようにしてください。それよりも長いねじを使用すると、ペダルセットの内部部品が破損する恐れがあります。

ペダルセットの調整

3つのペダルに含まれるもの:

- 複数の穴が開いた金属製パネル(8)(アクセル用9個、ブレーキ用2個、クラッチ用6個)。
- 4つの穴が開けられた“プラスチック製ヘッドサポート”(7)(ヘッドとアームの間)。
- 4つの穴が開いた金属製ペダルアーム(6)。

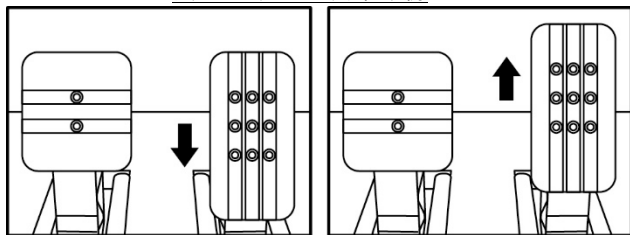


注意:調整トラブルを防ぐため、ペダルセットの調整を行う前に、必ずステアリングホイールのUSBケーブルをPS4™またはPS5™から取り外してください。

3つのペダルの高さを調整する

- 付属の2.5mm六角レンチ(4)で、“金属製パネル(8)”とそのサポート(7)を固定している2つのねじを緩めて取り外します。
- 任意の高さポジションを選択してからねじを戻し、“金属製ヘッド(8)”とそのサポート(7)がしっかりと固定されるまでねじを締めます。

アクセルペダルのセッティング例:



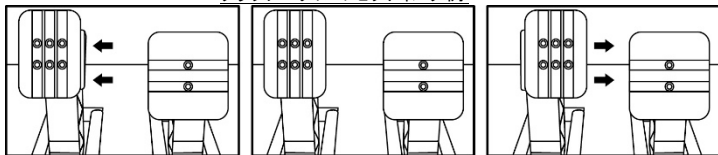
低ポジション

高ポジション

アクセルペダルとクラッチペダルの間隔を調整する

- 付属の 2.5mm 六角レンチ (4) で、“金属製パネル (8)” とそのサポート (7) を固定している 2 個のねじを緩めて取り外します。
- 任意のポジション (左、中央、右) を選択してからねじを戻し、“金属製パネル (8)” とそのサポート (7) がしっかりと固定されるまでねじを締めます。

クラッチペダルのセッティング例:



左ポジション

中央ポジション (デフォルト)

右ポジション

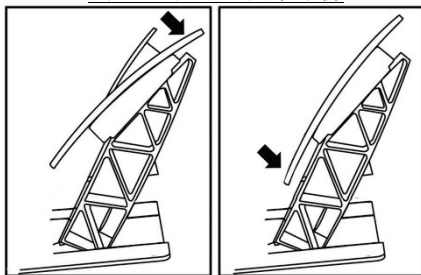
ペダル毎にセッティング可能なスペース間隔ポジション数:

- アクセルペダル 3 ポジション
- クラッチペダル 3 ポジション

3 個のペダルの傾きを調整する

- 付属の 2.5mm 六角レンチ (4) で、“金属製パネル (8)” とそのサポート (7) を固定している 2 個のねじを緩めて取り外します。
- プラスチック製ヘッドサポート (7) を 180° 回してからねじを戻し、“金属製パネル (8)” とそのサポート (7) がしっかりと固定されるまでねじを締めます。

アクセルペダルのセッティング例:



傾き小

傾き大 (デフォルト)

ペダル毎にセッティング可能な傾きポジション数:

- アクセルペダル 2 ポジション
- ブレーキペダル 2 ポジション
- クラッチペダル 2 ポジション

コニカルラバーブレーキ MOD の取り付け

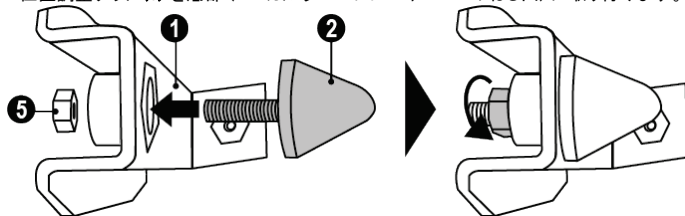
このカスタム変更 (MOD) は必須でないため、デフォルトでは取り付けられていません。この MOD が取り付けられていない場合、ブレーキペダルは最も標準的に動作します。

MOD を取り付けることで、ブレーキ時のフィーリングや抵抗をアレンジして楽しむことができます。

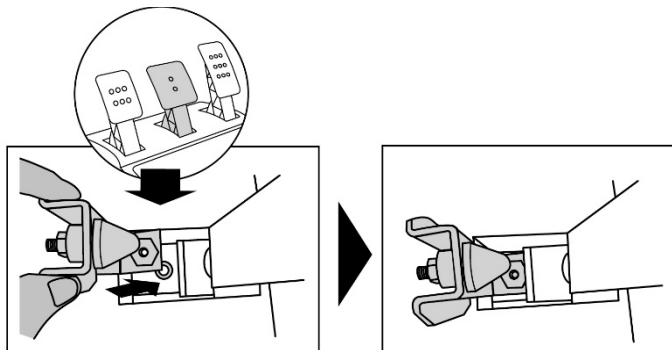
お好みに合わせてご利用ください。

-コニカルラバーブレーキ MOD (2) を、ステー (1) にねじで取り付けます。

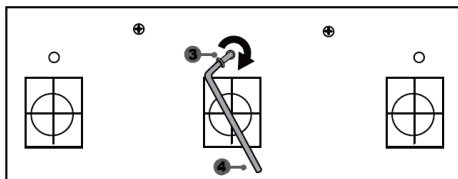
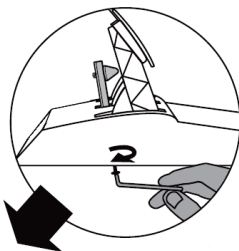
-位置調整ナット (5) を底部 (コニカルラバーブレーキ MOD のねじ山) に取り付けます。



-コニカルラバーブレーキ MOD をブレーキペダルのアーム部分にセットします。



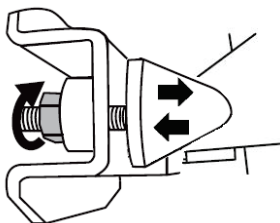
-付属の 2.5 mm 六角レンチ (4) を使い、コニカルラバーブレーキ MOD をペダルセット底面にある小さな中央ねじ山に、取り付けねじ (3) を使って取り付けます。



これで MOD の取り付けが完了しました！

ブレーキペダルの可動域と抵抗強さの設定

ナット (5) を少し緩めて、コニカルラバーブレーキ MOD (2) をペダルアームに近づけることで、ブレーキペダルの抵抗を強めることができます (必要に応じて、14 mm のスパナもしくはラジオペンチでナットをしっかりと固定してください)。円錐ストップをペダルのアームに近づけるほど抵抗は大きくなります。



注意: コニカルラバーブレーキ MOD がブレーキペダルの非常に近くにあると、最大入力値に到達しにくくなる場合があります。そのような場合はペダルセットの自動調整 (13 ページ) の際、ブレーキペダルを、最大値に達するまでゆっくり、かつ強く踏みつける (必要であれば、ペダルの上に一瞬立っても構いません)、あるいはコニカルラバーブレーキ MOD をブレーキペダルからもう少し離してセットし直します。

著作権

© 2021 Guillemot Corporation S.A. All rights reserved. Thrustmaster®は、Guillemot Corporation S.A. の登録商標です。Guillemot Corporation S.A. により製造・販売されている

“PlayStation”、“PS5”、“PS4”、“PS one” および “PlayStation Shapes Logo” は、Sony Interactive Entertainment Inc. の登録商標または商標です。その他のすべての商標はそのそれぞれの所有者に帰属します。Sony Interactive Entertainment Inc. からの許可を得て製造・販売しています。

Gran Turismo™と Gran Turismo™のロゴは、Sony Interactive Entertainment Inc. の登録商標または商標です。

TouchSense®は、Immersion Software Ireland Limited. からライセンス供与された技術です。その他のすべての商標および商標名をここに認識しており、それぞれの所有者の所有物です。内容、設計形状および仕様は、予告なしに変更される場合があります、国により異なることがあります。写真および図に拘束力はありません。北米および欧州で設計され、中国で製造されています。

環境保護推奨

国内の電気電子機器のリサイクル法を遵守してください。

リサイクルのための廃機器の収集地点や廃棄方法についての詳細は、お住まいの地域の自治体までお問い合わせください。

この情報は大切に保管してください。色や形状は実際の製品と異なる場合があります。

本製品をご使用になる前に、プラスチック留め具や粘着テープなどはすべて取り除いてください。

www.thrustmaster.com

Made in China.

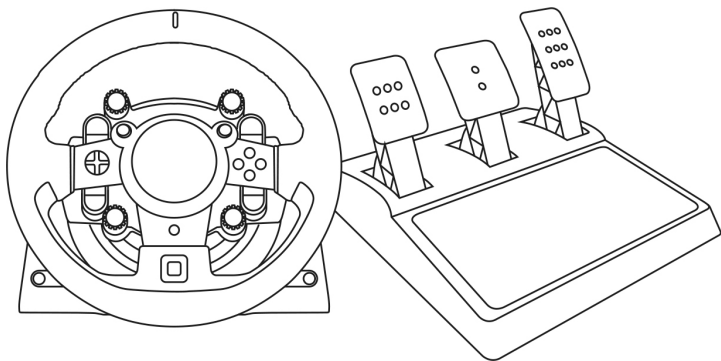


immersion.

T-GT II

PlayStation®5 主机和 PlayStation®4 主机版

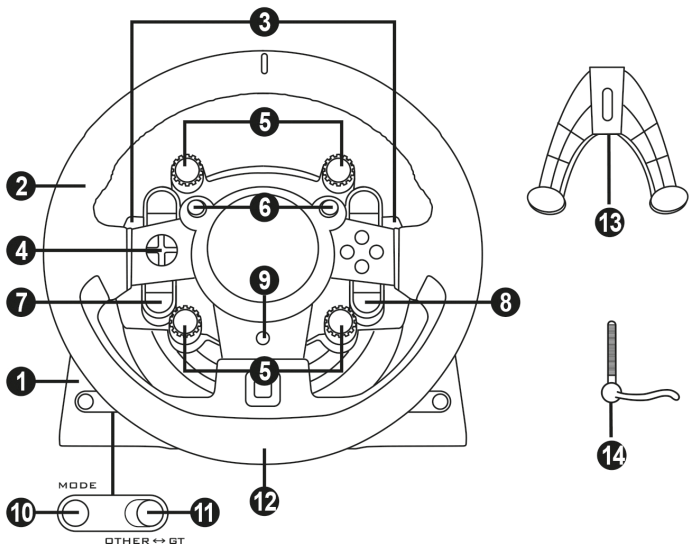
用户手册



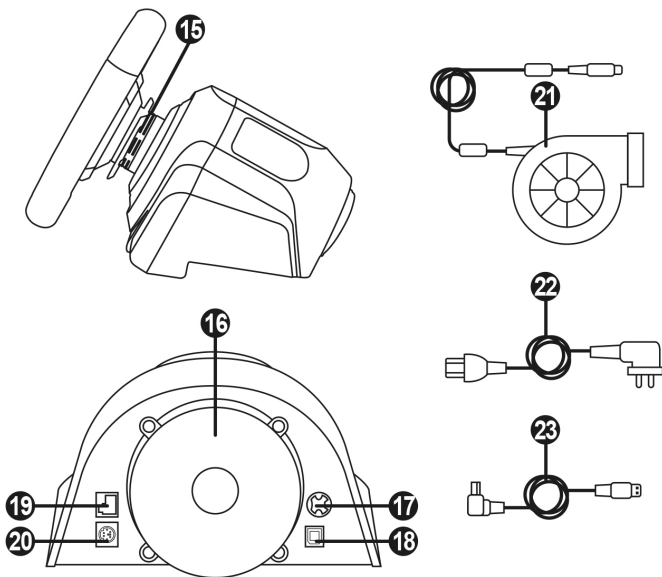
警告：

为确保 T-GT II 方向盘能够正常操控游戏，您可能需要安装游戏的自动更新（当您的主机连接到互联网时可用）。

技术特性



- | | |
|---------------------|--------------------------|
| 1 T-GT II 底座 | 8 OPTIONS 按钮 |
| 2 T-GT II 方向盘 | 9 PS 按钮 |
| 3 2 个序列式换挡拨片（向上和向下） | 10 MODE 按钮 + 红色/绿色指示灯 |
| 4 方向键按钮 | 11 内置 USB 滑动开关：OTHER/ GT |
| 5 4 个带有按钮的旋钮式选择器 | 12 大螺纹孔（用于安装固定系统和紧固螺丝） |
| 6 2 个迷你操纵杆 | 13 固定系统 |
| 7 SHARE/CREATE 按钮 | 14 金属紧固螺丝 |



- | | |
|---|-----------------------|
| 15 Thrustmaster (图马思特) 快拆系统 | 20 TH8A 变速器接头 (变速器另售) |
| 16 T-DFB 效果系统 (仅在 GT 模式下兼容于 PS5™ 主机和 PS4™ 主机) | 21 T-TURBO 电源 |
| 17 T-TURBO 电源接头 | 22 电源线 |
| 18 可拆卸 USB 电缆接头 | 23 可拆卸 USB 电缆 |
| 19 踏板组接头 | |

**将方向盘插接到电气插座上：
请仔细阅读以下警告！**



切勿将 T-TURBO 插接到不同电压的电气插座上！ T-TURBO 电源线母接头上的标签上标示有电源的电压。



切勿将 T-TURBO 电源之外的其他电源连接到 T-GT II 底座，即使其接头兼容！ 例如，切勿将 T500 RS 方向盘的电源转接头连接到 T-GT II 底座。

警告

在使用此产品之前，请仔细阅读并保管好本手册以备日后参考之用。



警告 - 触电

- * 请将本产品置于干燥的位置，切勿将其暴露在灰尘或阳光中。
- * 切勿扭曲或拉扯接头和电缆。
- * 切勿让任何液体溅到本产品或其接头上。
- * 切勿造成本产品短路。
- * 切勿拆解本产品；切勿将其投入火中，亦勿将其暴露在高温环境中。
- * 请务必使用方向盘随附的电源线，切勿使用其他电源线。
- * 如果电源线或其接头损坏、裂开或断裂，请勿使用该电缆。
- * 请务必将电源线正确插入到电气插座中，并正确连接到位于方向盘底座背面的接头。
- * 切勿拆开本方向盘：内部没有任何可由用户维修的零部件。任何维修工作均须由制造商、其授权代表或持证技工执行。
- * 仅使用制造商指定的固定系统/配件。
- * 如果方向盘工作异常（如果出现任何异常的声音、过热或有异味），应立即停止使用，从电气插座上断开电源线，并断开其他电缆。
- * 如果长时间不使用方向盘，请从电气插座上断开电源线。
- * 电气插座必须位于设备附近，且必须方便插拔电源线。

针对 220 V 电源转接头的信息

发布的信息	值	单位
制造商名称或商标、工商注册号和地址	Guillemot Corporation S.A. (基利摩股份有限公司) 414 196 758 Rennes Place du Granier BP 97143 35571 Chantepie Cedex 法国	
型号	Turbo 电源 220 V	
输入电压	220 - 240	V
输入交流电频率	50 / 60	Hz
输出电压	240	V AC
输出电流	4.0	A
输出功率	96.0	W
平均工作效率	90.9	%
低负载时的效率 (10%)	86.8	%
空载功耗	0.01	W



通气孔

切勿堵住方向盘底座上的任何通气孔。为获得最佳通风效果，请务必遵循以下几点：

- * 将方向盘底座置于距离任何墙面至少 10 cm 的位置。
- * 切勿将底座置于任何狭小空间内。
- * 切勿覆盖底座。
- * 避免通气孔上堆积灰尘。



为安全起见，切勿赤脚或仅穿袜子操作踏板。

如因未穿鞋操作踏板组而造成任何伤害，THRUSTMASTER®（图马思特）对此概不负责。



警告——因力反馈和重复运动造成的伤害

使用力反馈方向盘玩游戏可能会造成肌肉或关节疼痛。为避免这些问题：

- * 避免长时间玩游戏。
- * 每玩一小时后休息 10 到 15 分钟。
- * 如果手、手腕、手臂、脚或腿有任何疲劳或疼痛的感觉，应停止玩游戏，休息几个小时后再玩。
- * 如果再玩时仍然存在上述症状或疼痛感，应立即停止玩游戏并咨询医生。
- * 放到儿童够不到的区域。
- * 玩游戏期间，应始终将双手正确放在方向盘上，手不要完全离开方向盘。
- * 玩游戏期间，切勿将手或手指放在踏板下方或踏板组附近任何位置。
- * 校准和玩游戏期间，切勿将手或手臂穿过方向盘的开孔。
- * 务必按照本手册的说明将方向盘底座固定到位。

重产品



本产品只能由
年满 16 岁的用户操作



小心不要让本产品砸到自己或他人！

务必



切勿



切勿



警告——玩游戏时存在踏板组夹伤危险

- * 将踏板组放在儿童够不到的区域。
- * 玩游戏时，切勿将手指放在踏板侧边或附近任何位置。
- * 玩游戏时，切勿将手指放在踏板后底座上或附近任何位置。
- * 玩游戏时，切勿将手指放在踏板前底座上或附近任何位置。

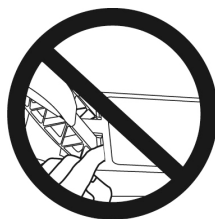
切勿



切勿



切勿



警告——不玩游戏时存在的踏板组夹伤危险

- * 将踏板组放在安全且儿童够不到的位置。

更新方向盘固件

本方向盘底座中包含的固件可升级到更新的版本，从而获得产品增强功能。

要显示方向盘当前使用的固件版本并在需要时进行升级：在 PC 上，访问 <https://support.thrustmaster.com>。点击 **Racing Wheels（方向盘）** / **T-GT II**，然后选择 **Firmware（固件）**，按照下载和安装程序说明进行操作。

重要提示：

在 PC 上，方向盘底座上的 USB 滑动开关 (11) 必须始终设置为“OTHER”（其他）档位。

将方向盘安装到底座上

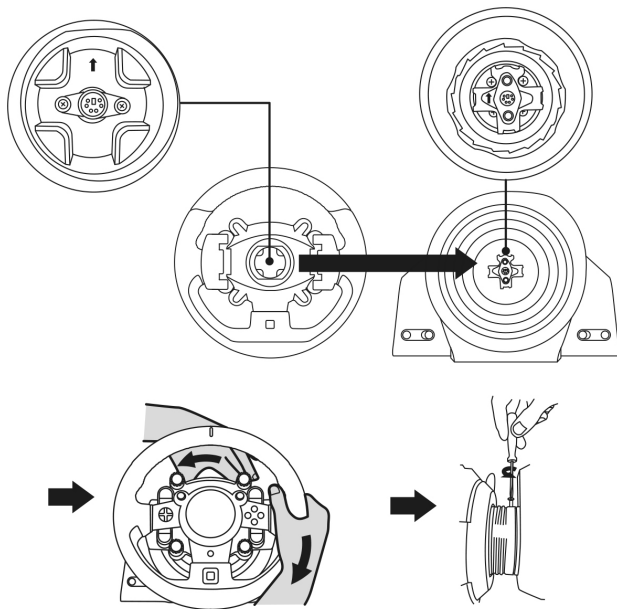
按照箭头指示对准接头位置：

底座 (1) 接头： 箭头朝上

方向盘 (2) 接头： 箭头朝上

正确放置接头之后，只需使方向盘 (2) 固定到位，同时逆时针旋转 Thrustmaster（图马思特）快拆器 (15) 装置的圆环即可。

然后，尽量拧紧圆环；要拧紧圆环，只需握住圆环，然后顺时针旋转方向盘。



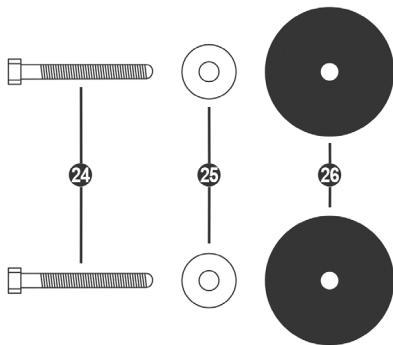
安装好方向盘后，将其旋转 180°（正对方向盘时，GT 徽标应倒立），以便操作 Thrustmaster（图马思特）快拆器 (15) 装置圆环上的小固定螺丝。使用大十字螺丝刀顺时针拧紧小固定螺丝（切勿用力过猛）。



**使用十字螺丝刀拧紧小固定螺丝时切勿用力过猛！
感觉到有阻力后即停止拧螺丝。**

固定方向盘

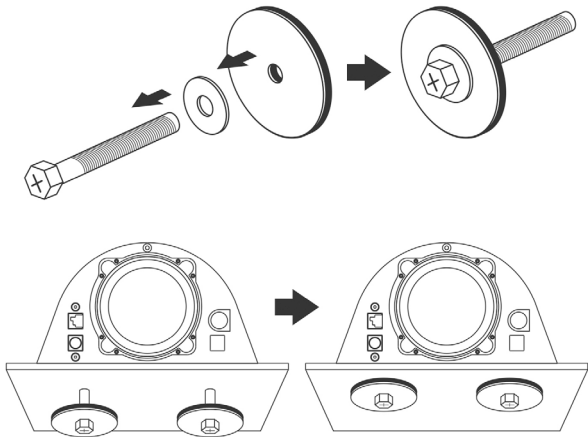
将方向盘底座固定到驾驶座上



24 2 个 M6 类型六角头/十字头螺栓

25 2 个垫圈

26 2 个安装盘（一面为金属，另一面为橡胶纹理）



1. 将垫圈 (25) 置于安装盘 (26) 的金属面上，并装入 M6 类型六角头/十字头螺栓 (24)。

2. 将方向盘底座放到驾驶座支架上。

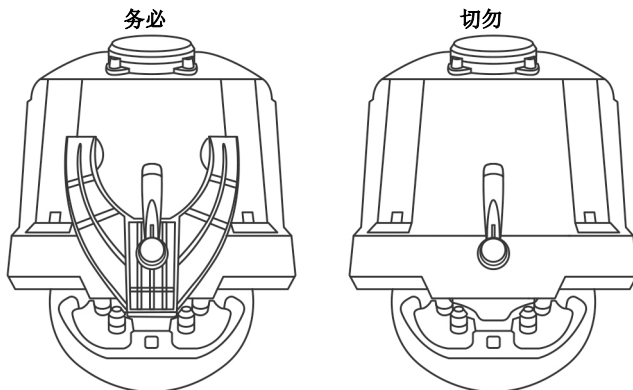
3. 使用 10 毫米扳手或十字头螺丝刀，将驾驶座安装套件拧入驾驶座台架上并拧紧到方向盘下方的 2 个小螺钉中。

注意：

- 切勿取下方向盘底座下面的泡沫垫！泡沫垫可放大 T-DFB 系统在连接方向盘时的效应。
- 安装盘 (26) 的橡胶纹理面必须朝驾驶座台架放置 = 切勿将金属面朝向驾驶座台架。

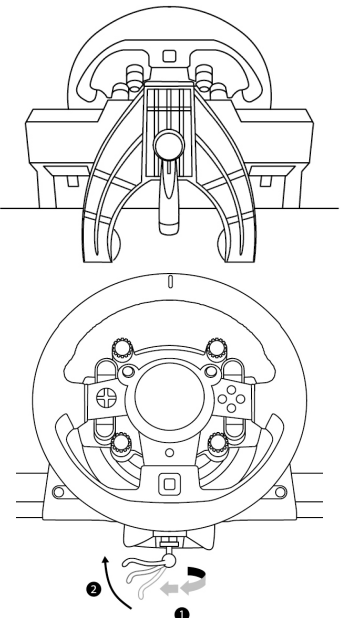
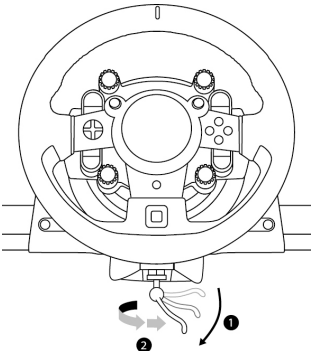
将方向盘固定到台面或桌面上

1. 将方向盘置于桌台或任何水平、平整且稳定的表面上。
2. 将紧固螺丝 (14) 插入到固定系统 (13) 中，然后按下述方法紧固方向盘：逆时针拧转螺丝，使螺丝进入方向盘底部的大螺纹孔 (12) 中，直至方向盘完全固定好为止。



警告：

- 切勿在未将固定系统安放到位的情况下拧紧螺丝！（这样可能会损坏方向盘）。
- 切勿取下方向盘底座下面的泡沫垫！泡沫垫可放大 T-DFB 系统在连接方向盘时的效应。

固定/拆卸	操作指示
<p>拧紧方法： 逆时针方向转动 螺钉</p>	
<p>松开： 顺时针方向转动 螺钉</p>	

针对 PS5™ 主机和 PS4™ 主机设置方向盘

1. 将踏板组连接到方向盘底座背部的接头 (19)。
2. 将 T-TURBO 电源 (21) 连接到其接头 (17)。
3. 将电源线 (22) 连接到 T-TURBO 电源，并将电源线插接到相同电压的电气插座上。
4. 将 USB 滑动开关 (11) 设置为“OTHER”或“GT”挡位，具体取决于您所使用的 PS5™ 游戏或 PS4™ 游戏。
5. 将可拆卸 USB 电缆 (23) 的两端分别连接到其接口 (18) 和 PS5™ 主机或 PS4™ 主机上的某个 USB 端口。
6. 在 PS5™ 主机或 PS4™ 主机开机后，方向盘即会自动校准。
7. 按方向盘上的 PS 按钮 (9) 并登录您的 PlayStation™Network 帐户，以便能够使用该方向盘。

现在即可开始玩游戏了！

重要事项：

- 不要忘记按方向盘上的 PS 按钮 (9)，否则，将无法使用该方向盘。
- 在将方向盘的 USB 电缆连接到主机之前，必须先将方向盘底座上的 USB 滑动开关 (11) 设置在正确的挡位（“OTHER”或“GT”）。
要改变滑动开关的挡位：请断开 USB 电缆，然后将开关设置到合适的挡位，再将 USB 电缆重新连接到主机。
- 在以下网站可以找到兼容 PlayStation®5 主机和 PlayStation®4 主机以及 T-GT II 方向盘的游戏列表（以及所需的 USB 滑动开关 (11) 挡位，具体取决于您所玩的游戏）：
<https://support.thrustmaster.com>（在 Racing Wheels（方向盘）/“T-GT II”部分中）。此列表将定期更新。

处于“OTHER”挡位的 USB 滑动开关 (11)

适用于除 GT SPORT 之外的 PS5™ 游戏和 PS4™ 游戏

当 USB 滑动开关 (11) 设置为“OTHER”挡位时：

- * 力反馈系统正常工作，但 T-DFB 效果系统 (16) 不起作用。

处于“GT”挡位的 USB 滑动开关 (11)

适用于 GT SPORT 游戏（以及其他未来的 GT 游戏）

当 USB 滑动开关 (11) 设置为“GT”挡位时：

- * 力反馈系统和 T-DFB 效果系统 (16) 同时正常工作。在 GT Sport 游戏的选单中，每个系统的功率级别均可独立进行调节。

针对 PC 设置方向盘*

*此产品对PC的兼容性未经 Sony Interactive Entertainment Inc. 的认可。

有关详细信息，请访问 <https://support.thrustmaster.com>。

自动校准方向盘和踏板组

将此方向盘插接到电气插座并将方向盘的 USB 接头连接到主机之后，即可自动执行方向盘自校准。

在自校准过程中，方向盘将快速地左右各旋转 1080 度，然后在中心位置停下。



警告：

**切勿在自校准过程中触摸方向盘！
(这可能导致校准不正确和/或人员受伤。)**

自动校准踏板组

当踏板组连接到主机上时，或者在玩游戏期间，切勿将踏板组连接到方向盘底座（或者将其从底座断开）（这可能导致校准不正确）。

务必先连接踏板组，再将方向盘连接到主机。

完成方向盘校准并启动游戏之后，只需踩几下踏板，即会自动校准踏板。



警告：

**在赛车方向盘的自动校准阶段或加载游戏期间，
切勿踩踏踏板！
(这可能导致校准不正确。)**

如果您的方向盘和/或踏板组运行不正常，或似乎校准不当：

关闭主机，并完全断开方向盘。然后重新连接所有电缆（包括电源线和踏板组电缆），重新启动主机和游戏。

方向盘底座内置散热系统

方向盘底座内置散热系统

- 在方向盘通电时开始工作。
- 在闲置几分钟后，当内部温度下降到设定的低温水平时，将会自动关闭。
- 当您使用方向盘时将会再次自动打开。

MODE 按钮和指示灯 (10)

踏板组的 MODE 按钮

您可通过电子方式切换油门踏板和离合器踏板。
要切换踏板，只需按住 MODE 按钮 (10) 两秒钟即可。
方向盘的内存会存储是否已切换踏板的信息。

油门和离合器踏板	MODE 指示灯 (10) 的颜色
正常	红色
已切换	绿色

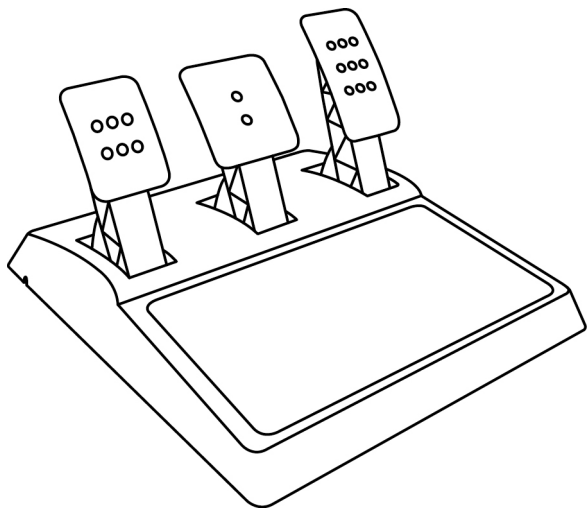
关于 MODE 按钮的其他信息

要了解有关 MODE 按钮和指示灯的更多信息，请访问 <https://support.thrustmaster.com>。点击 Racing Wheels (方向盘) / T-GT II，然后选择 Manual (手册) 或 FAQ (常见问题解答)。

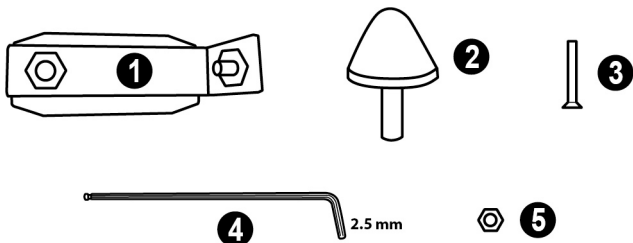
帮助文件和常见问题解答

请访问 <https://support.thrustmaster.com>。点击 Racing Wheels (方向盘) / T-GT II，然后选择 Manual (手册) 或 FAQ (常见问题解答)。

T-GT II EDITION 踏板组

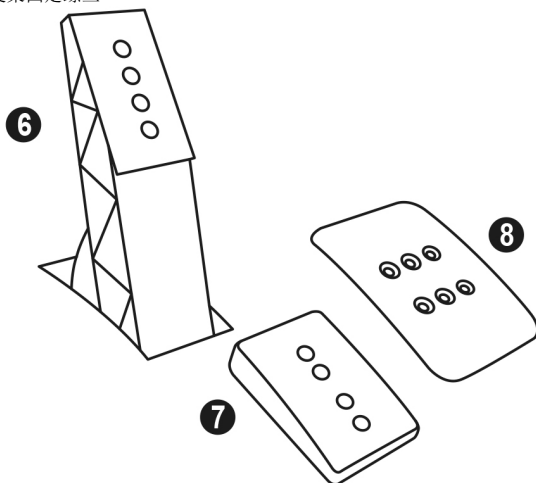


技术特性



- 1 锥形刹车片金属支架
(默认不安装)
- 2 锥形刹车片
- 3 金属支架固定螺丝

- 4 2.5 mm 内六角扳手 (随附)
- 5 锥形刹车片的位置调节螺母



- 6 金属踏板臂
- 7 塑料头支架

- 8 金属踏板头

警告

使用本产品前，请务必仔细阅读这些说明，并妥善保存，以便将来参考。



为安全起见，切勿赤脚或仅穿袜子操作踏板组。
如因未穿鞋操作踏板组而造成任何伤害，THRUSTMASTER®（图马思特）对此概不负责。



警告——游戏期间存在踏板组夹伤危险

- * 将踏板组放在儿童够不到的区域。
- * 在游戏期间，切勿将手指或拇指放在踏板侧边或附近。
- * 在游戏期间，切勿将手指或拇指放在踏板后底座上或附近。
- * 在游戏期间，切勿将手指或拇指放在踏板前底座上或附近。

切勿



切勿



切勿



自动校准踏板



重要提示：

- 方向盘连接至 PS5™ 主机或 PS4™ 主机或 PC 时，或在游戏期间，切勿将踏板组连接到方向盘底座（或者将其从底座断开），以免出现校准问题。
- 在将方向盘连接到 PS5™ 主机或 PS4™ 主机或 PC 前，务必先将踏板组连接到方向盘。
- 方向盘完成自校准且游戏开始后，踏板会在踩几下之后自动校准。
- 方向盘自校准时或游戏启动过程中，切勿踩下踏板，以免出现校准问题。
- 如果踏板运行不正常或感觉校准不正确，请关闭系统，完全断开方向盘，然后重新连接所有电缆（包括电源线和踏板组电缆），打开系统并重新启动游戏。

将踏板组固定到驾驶座上

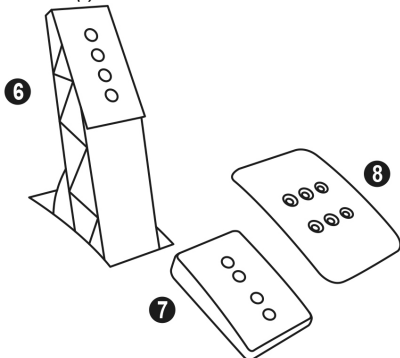
- 利用踏板组下方的小螺纹连接踏板组。
- 将两颗 M6 螺丝（未随附）拧入驾驶座的踏板支撑板上，并拧入踏板组下方的两个小螺纹内。

重要提示： 两颗 M6 螺丝的长度不得比驾驶座踏板支撑板厚度大出 10 毫米以上，以免损坏踏板组的内部组件。

调整踏板组

三个踏板中的每个都包括：

- 一个金属踏板头 (8)，带有多个穿孔（油门踏板9个，刹车踏板2个，离合器踏板6个）。
- 带4个穿孔的塑料头支架 (7)（在踏板头和踏板臂之间）。
- 带4个穿孔的金属踏板臂 (6)。

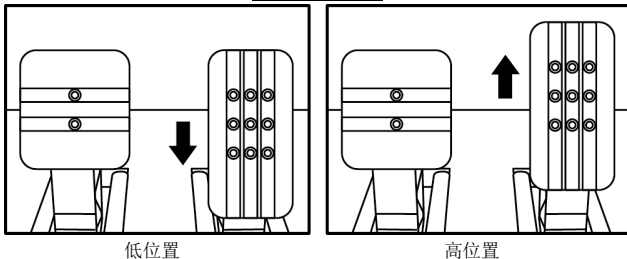


注意：为避免任何校准问题，在对踏板组进行任何调节之前，请务必始终从 PS5™ 主机或 PS4™ 主机或 PC 断开方向盘的 USB 电缆。

调节 3 个踏板的高度

- 利用随附的 2.5 毫米内六角扳手 (4)，松开并卸下用于紧固金属头 (8) 及其支架 (7) 的 2 个螺丝。
- 选择您想要的高度位置，然后更换并重新拧紧螺丝，以使金属头 (8) 及其支架 (7) 牢固地固定到位。

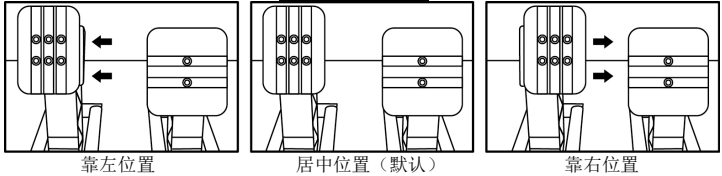
油门踏板示例：



调节油门踏板和离合器踏板的间距

- 利用随附的 2.5 毫米内六角扳手 (4)，松开并卸下用于紧固金属头 (8) 及其支架 (7) 的 2 个螺丝。
- 选择您想要的位置（靠左、居中或靠右），然后更换并重新拧紧螺丝，以使金属头 (8) 及其支架 (7) 牢靠地固定到位。

离合器踏板示例：



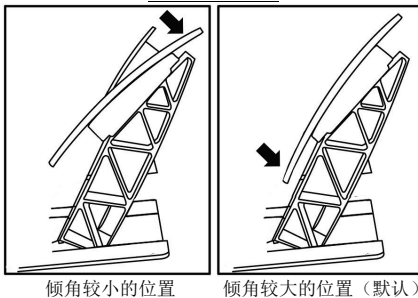
每个踏板可选的间距挡位数：

- 油门踏板 3 个
- 离合器踏板 3 个

调节三个踏板的倾角

- 利用随附的 2.5 毫米内六角扳手 (4)，松开并卸下用于紧固金属头 (8) 及其支架 (7) 的 2 个螺丝。
- 将塑料头支架 (7) 旋转 180°，然后更换并重新拧紧螺丝，以使金属头 (8) 及其支架 (7) 牢靠地固定到位。

油门踏板示例：



每个踏板可选的倾角挡位数：

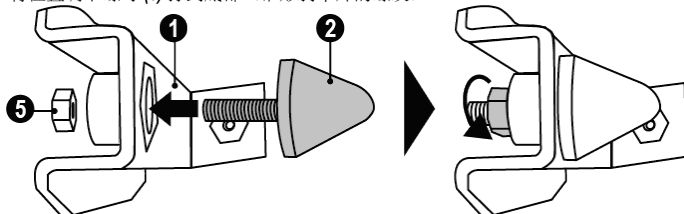
- 油门踏板 2 个
- 刹车踏板 2 个
- 离合器踏板 2 个

安装锥形刹车片（锥形橡胶刹车片组）

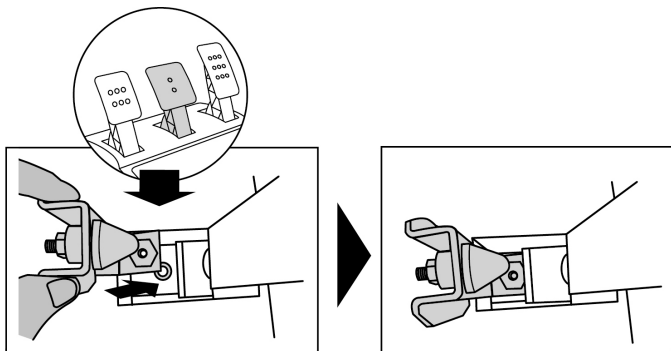
此片组并非必须，默认不安装此片组。这意味着，即便未安装刹车片组，刹车踏板功能也能正常运行。

此片组让您在刹车时可以体验到不同的感觉和阻力。
是否安装此刹车片组，完全由您根据自己的喜好决定。

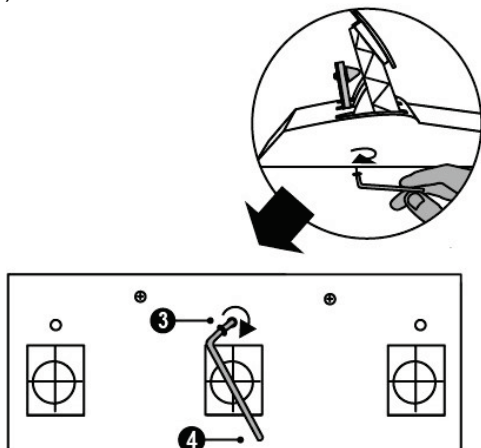
- 将锥形刹车片 (2) 拧紧到金属支架 (1) 上。
- 将位置调节螺母 (5) 拧到底部（锥形刹车片的螺纹）。



- 将刹车片组置于刹车踏板臂的背部。



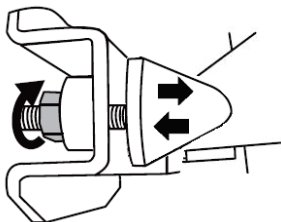
- 使用随附的 2.5 毫米内六角扳手(4)，通过固定螺丝(3)和踏板组底部中央的小螺紋固定刹车片组(3)。



锥形橡胶刹车片组至此安装完毕!

调整刹车踏板的行程和阻力

通过稍稍拧松螺母(5)，您可以通过使锥形刹车片(2)更靠近踏板臂的背部(如有必要，可使用一个 14 毫米扳手或钳子重新拧紧螺母并保持所选的位置)进一步增大刹车踏板的阻力。锥形刹车片离踏板臂背部越近，阻力就越大。



注意：当锥形刹车片非常靠近刹车踏板臂的背部时，您可能会感觉难以到达最大校准值。倘若如此，请：

- * 缓慢地用力踩踏刹车踏板，使之到达最大值(如有必要，可非常短时地站立在踏板上——只站立一秒钟)，然后释放压力；否则，
- * 移动锥形刹车片，使其稍微远离刹车踏板臂的背部。

COPYRIGHT

©2021 Guillemot Corporation S.A. All rights reserved. Thrustmaster® is a registered trademark of Guillemot Corporation S.A. Manufactured and distributed by Guillemot Corporation S.A. All other trademarks and brand names are hereby acknowledged and are the property of their respective owners. Contents, design, and specifications are subject to changes without notice and may vary from one country to another. Photos and illustration not binding. Designed in North America and Europe, made in China.

For use exclusively with PlayStation®5 consoles and PlayStation®4 consoles.

“PS”, “PlayStation”, “PS5”, and “PS4” are registered trademarks or trademarks of Sony Interactive Entertainment Inc. All rights reserved. All other trademarks are the property of their respective owners. Manufactured and distributed under license from Sony Interactive Entertainment Inc.

Gran Turismo and Gran Turismo logo are registered trademarks or trademarks of Sony Interactive Entertainment Inc.

TouchSense® technology licensed from Immersion Software Ireland Limited. Protected by one or more of the U.S. Patents found at the following address: www.immersion.com/patent-marking.html, and other patents pending.

环保建议

有关离您最近的收集点的信息，请联系您当地的相关机构。
请遵守当地电气电子设备的回收法律。

请保留此信息。颜色和装饰可能会有变动。
在使用本产品之前，应先取下塑料紧固件并撕掉胶带。

www.thrustmaster.com

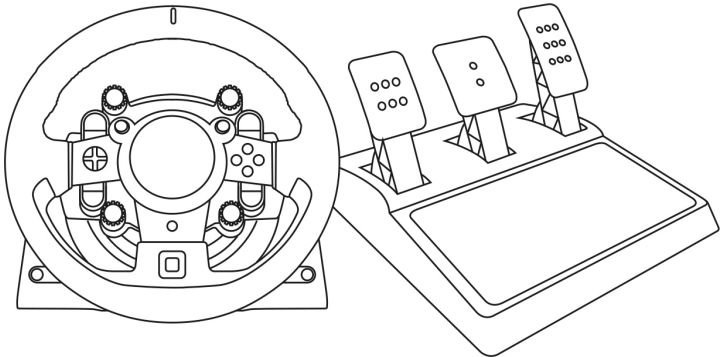


immersion.

T-GT II

For PlayStation®5 consoles and PlayStation®4 consoles

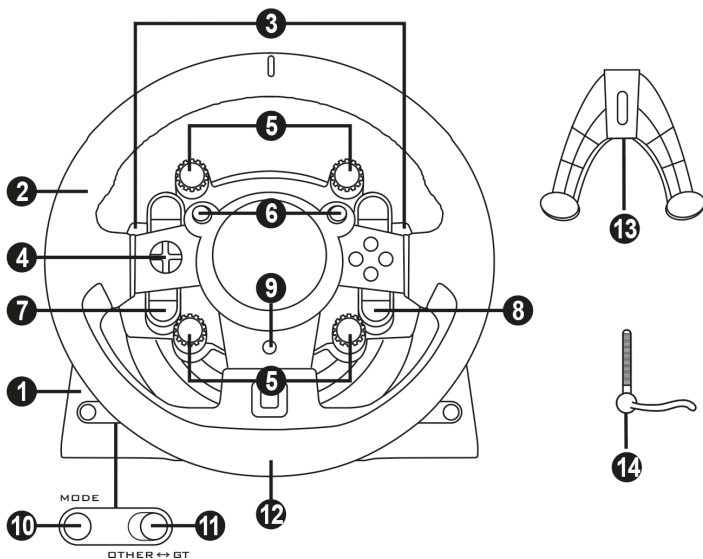
User Manual



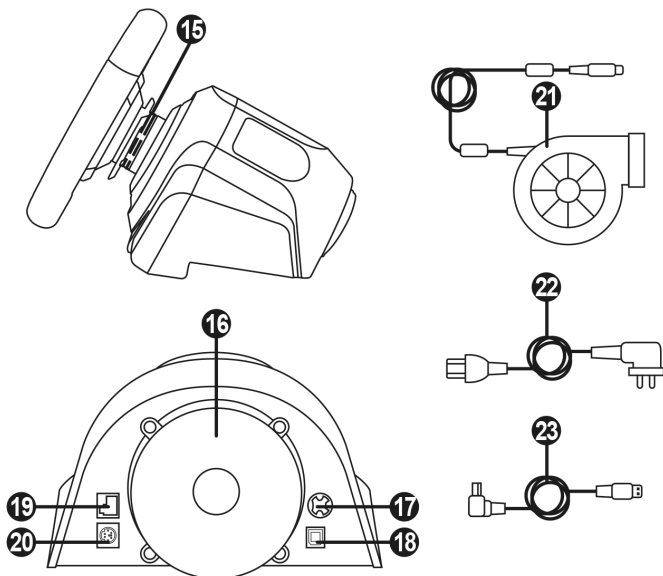
WARNING:

To ensure that your T-GT II racing wheel functions correctly with games, you may be required to install the game's automatic updates (available when your console is connected to the Internet).

TECHNICAL FEATURES



- | | | | |
|---|--|----|---|
| 1 | T-GT II base | 8 | OPTIONS button |
| 2 | T-GT II wheel | 9 | PS button |
| 3 | 2 sequential paddle shifters (up & down) | 10 | MODE button + red/green indicator light |
| 4 | Directional buttons | 11 | Built-in USB sliding switch: OTHER / GT |
| 5 | 4 rotary selectors with Push function | 12 | Large threaded hole (for attachment system and fastening screw) |
| 6 | 2 mini-sticks | 13 | Attachment system |
| 7 | SHARE/CREATE button | 14 | Metal fastening screw |



- 15 Thrustmaster Quick Release
- 16 T-DFB effects system (only compatible with the PS5™ consoles and PS4™ consoles in GT mode)
- 17 Connector for T-TURBO power supply
- 18 Connector for removable USB cable
- 19 Connector for pedal set
- 20 Connector for TH8A shifter (shifter sold separately)
- 21 T-TURBO power supply
- 22 Power supply cable
- 23 Removable USB cable

PLUGGING THE WHEEL INTO AN ELECTRICAL OUTLET: PLEASE READ CAREFULLY!



Never plug the T-TURBO power supply into an electrical outlet with a different voltage! The T-TURBO power supply's voltage is indicated on the label located above the female connector for the power supply cable.



Never connect a power supply other than the T-TURBO power supply to the T-GT II base, even if the connector is compatible! For example, never connect the power adapter for the T500 RS wheel to the T-GT II base.

WARNING

Before using this product, please read this manual carefully and save it for later reference.



Warning – Electrical shock

- * Keep the product in a dry location and do not expose it to dust or sunlight.
- * Do not twist or pull on the connectors and cables.
- * Do not spill any liquid on the product or its connectors.
- * Do not short-circuit the product.
- * Never dismantle the product; do not throw it onto a fire and do not expose it to high temperatures.
- * Do not use a power supply cable other than the one provided with your racing wheel.
- * Do not use the power supply cable if the cable or its connectors are damaged, split or broken.
- * Make sure that the power supply cable is properly plugged into an electrical outlet, and properly connected to the connector at the rear of the racing wheel's base.
- * Do not open up the racing wheel: there are no user-serviceable parts inside. Any repairs must be carried out by the manufacturer, its authorized representative or a qualified technician.
- * Only use attachment systems/accessories specified by the manufacturer.
- * If the racing wheel is operating abnormally (if it is emitting any abnormal sounds, heat or odors), stop using it immediately, unplug the power supply cable from the electrical outlet and disconnect the other cables.
- * If you will not be using the racing wheel for an extended period of time, unplug its power supply cable from the electrical outlet.
- * The electrical outlet must be located near the equipment and must be easily accessible.

Information for 220V power supply adapter

Information published	Value	Unit
Manufacturer's name or trademark, commercial registration number and address	GUILLEMOT CORPORATION S.A. 414 196 758 Rennes Place du Granier BP 97143 35571 Chantepie Cedex France	
Model identifier	Turbo Power 220V	
Input voltage	220 - 240	V
Input AC frequency	50 / 60	Hz
Output voltage	24,0	V AC
Output current	4,0	A
Output power	96,0	W
Average active efficiency	90,9	%
Efficiency at low load (10 %)	86,8	%
No-load power consumption	0,01	W

**Air vents**

Make sure not to block any of the air vents on the racing wheel's base. For optimal ventilation, make sure to do the following:

- * Position the wheel's base at least 10 cm away from any wall surfaces.
- * Do not place the base in any tight spaces.
- * Do not cover the base.
- * Do not let any dust build up on the air vents.



**For safety reasons, never use the pedal set with bare feet
or while wearing only socks on your feet.
THRUSTMASTER® DISCLAIMS ALL RESPONSIBILITY IN THE EVENT OF INJURY
RESULTING FROM USE OF THE PEDAL SET WITHOUT SHOES.**

**Warning – Injuries due to Force Feedback and repeated movements**

Playing with a Force Feedback racing wheel may cause muscle or joint pain. To avoid any problems:

- * Avoid lengthy gaming periods.
- * Take 10 to 15 minute breaks after each hour of play.
- * If you feel any fatigue or pain in your hands, wrists, arms, feet or legs, stop playing and rest for a few hours before you start playing again.
- * If the symptoms or pain indicated persist when you start playing again, stop playing and consult your doctor.
- * Keep out of children's reach.
- * During gameplay, always leave both hands correctly positioned on the wheel without completely letting go.
- * During gameplay, never place your hands or your fingers under the pedals or anywhere near the pedal set.
- * During calibration and gameplay, never place your hand or your arm through the openings in the racing wheel.
- * Make sure that the racing wheel's base is properly secured, as per this manual's instructions.

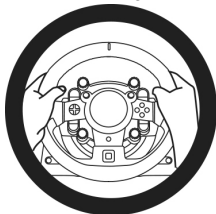
HEAVY PRODUCT

Product to be handled only by users
16 years of age or older



Be careful not to drop the product on
yourself or on anyone else!

ALWAYS



NEVER



NEVER



Warning – Pedal set pinch hazard when playing

- * Keep the pedal set out of children's reach.
- * During gameplay, never place your fingers on or anywhere near the sides of the pedals.
- * During gameplay, never place your fingers on or anywhere near the pedal's rear base.
- * During gameplay, never place your fingers on or anywhere near the pedal's front base.

NEVER



NEVER



NEVER



Warning – Pedal set pinch hazard when not playing

- * Store the pedal set in a safe place, and keep it out of children's reach.

UPDATING YOUR RACING WHEEL'S FIRMWARE

The firmware included in your racing wheel's base can be updated to a more recent version featuring product enhancements.

To display the firmware version that your racing wheel is currently using and update it if required: on PC, visit <https://support.thrustmaster.com>. Click **Racing Wheels / T-GT II**, then select **Firmware** and follow the instructions describing the download and installation procedure.

Important note:

On PC, the USB sliding switch (11) on the racing wheel's base must always be set to the "OTHER" position.

INSTALLING THE WHEEL ON ITS BASE

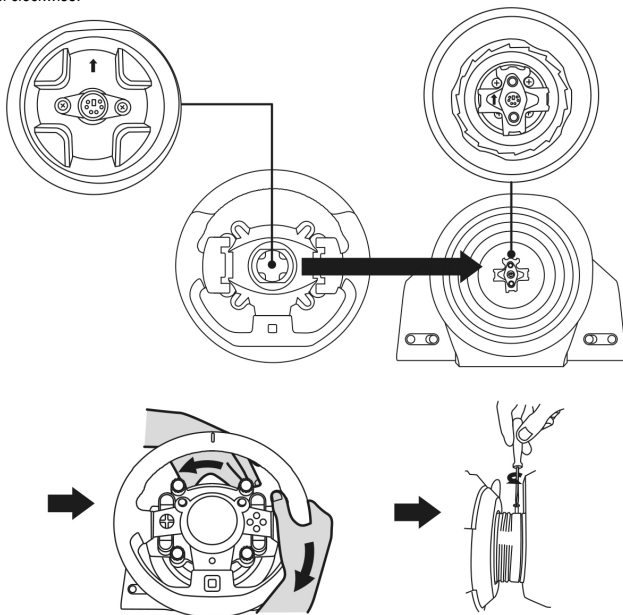
Align the connector positions using the arrows:

Base (1) connector: Arrow pointing upwards

Racing wheel (2) connector: Arrow pointing upwards

Once the connectors are correctly positioned, simply rotate the Thrustmaster Quick Release (15) device's ring anticlockwise, while holding the racing wheel (2) in position.

Then, tighten the ring as much as you can: to do so, hold the ring in position and rotate the racing wheel clockwise.



Once you have installed the wheel, rotate it 180° (when facing the wheel, the GT logo should be upside down) to access the small attachment screw located on the ring of the Thrustmaster Quick Release (15) device. Use a large Phillips screwdriver to tighten the small attachment screw (do not use excessive force), turning it clockwise.

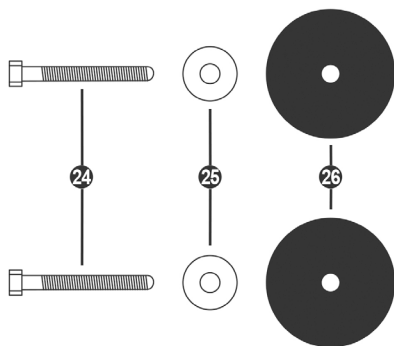


When using a Phillips screwdriver, ensure NOT to use excessive force when tightening the small attachment screw!

Stop turning the screw as soon as you feel some resistance.

ATTACHING THE RACING WHEEL

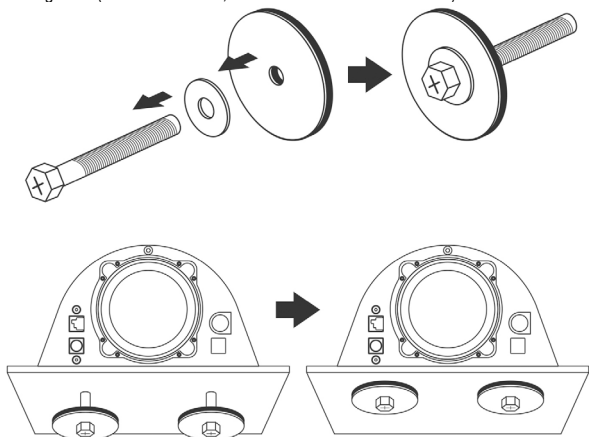
Attaching the racing wheel's base to a cockpit



24 2 M6-type hexagon head/Phillips-head bolts

25 2 washers

26 2 mounting discs (metal on one side, and textured rubber on the other)



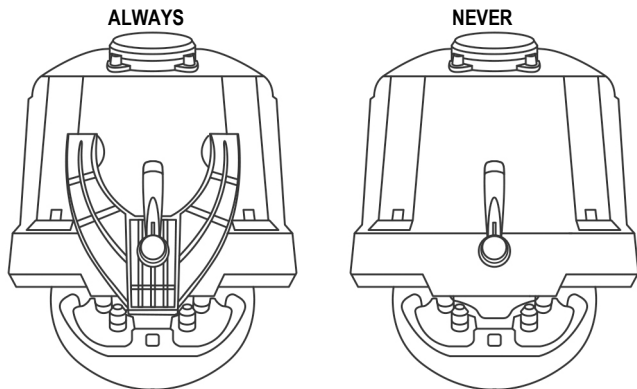
1. Position the washers (25) on the metal sides of the mounting discs (26), and insert the M6-type hexagon head/Phillips-head bolts (24).
2. Place the racing wheel's base on the cockpit shelf.
3. Using a 10 mm wrench key or a Phillips-head screwdriver, screw the cockpit mounting kit into the cockpit shelf and into the 2 small screw threads located on the underside of the wheel.

ATTENTION:

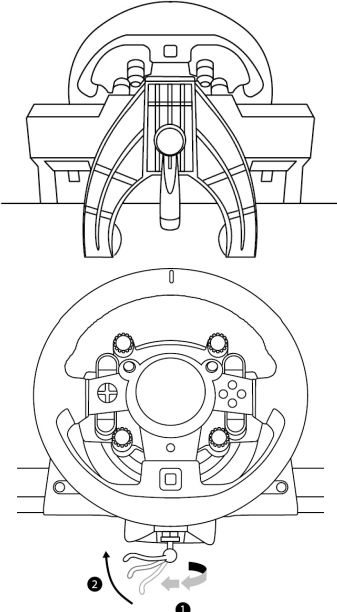
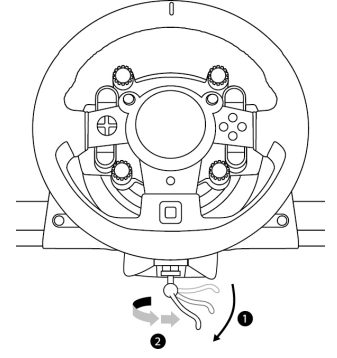
- Do not remove the foam pads located on the underside of the racing wheel's base! The foam pads amplify the effects of the T-DFB system when the wheel is attached.
- The textured rubber side of the mounting discs (26) must imperatively be positioned facing the cockpit shelf = never position the metal side facing the cockpit shelf.

Attaching the racing wheel to a table or a desktop

1. Place the racing wheel on a table or any other horizontal, flat and stable surface.
2. Insert the fastening screw (14) in the attachment system (13), then tighten the device by turning the screw anticlockwise, so that it feeds into the large threaded hole (12) located beneath the racing wheel, until the wheel is perfectly stable.

**WARNING:**

- Never tighten the screw alone, without the attachment system in place (this could damage the racing wheel).
- Do not remove the foam pads located on the underside of the racing wheel's base! The foam pads amplify the effects of the T-DFB system when the wheel is attached.

ATTACHMENT / REMOVAL	DIRECTION
<p><u>To tighten:</u></p> <p>Turn the screw anticlockwise</p>	
<p><u>To release:</u></p> <p>Turn the screw clockwise</p>	

SETTING UP THE RACING WHEEL FOR PS5™ CONSOLES AND PS4™ CONSOLES

1. Connect the pedal set to its connector (19) located at the rear of the racing wheel's base.
2. Connect the T-TURBO power supply (21) to its connector (17).
3. Connect the power supply cable (22) to the T-TURBO power supply, and plug the cable into an electrical outlet with the same voltage.
4. Set the USB sliding switch (11) to the "OTHER" or "GT" position, depending on the PS5™ game or PS4™ game you are using.
5. Connect the removable USB cable (23) to its connector (18) and to one of the USB ports on the PS5™ console or PS4™ console.
6. Once your PS5™ console or PS4™ console is powered on, your racing wheel will calibrate itself.
7. Press the PS button (9) on the racing wheel, and log in to your PlayStation™Network account in order for your wheel to be functional.

You are now ready to play!

Important notes:

- Don't forget to press the PS button (9) on the racing wheel, in order for your wheel to be functional.
- The USB sliding switch (11) on the wheel's base must always be set to the proper position ("OTHER" or "GT") before connecting the racing wheel's USB cable to your console. To change the sliding switch's position: disconnect the USB cable, and then set the switch to the appropriate position before reconnecting the USB cable to the console.
- The list of games compatible with the PlayStation®5 console and the PlayStation®4 console and the T-GT II racing wheel (along with the required position for the USB sliding switch (11) according to the game you are using) is available here: <https://support.thrustmaster.com> (in the Racing Wheels/T-GT II section). This list is updated regularly.

USB SLIDING SWITCH (11) IN THE "OTHER" POSITION FOR PS5™ GAMES AND PS4™ GAMES APART FROM GT SPORT

When the USB sliding switch (11) is set to the "OTHER" position:

- * The Force Feedback system is functional, but the T-DFB effects system (16) is not.

USB SLIDING SWITCH (11) IN THE "GT" POSITION FOR THE GAME GT SPORT (AND OTHER FUTURE GT GAMES)

When the USB sliding switch (11) is set to the "GT" position:

- * The Force Feedback system, and the T-DFB effects system (16), are both functional at the same time. In the GT Sport game's options, the power level of each system can be adjusted independently.

SETTING UP THE RACING WHEEL FOR PC*

*PC compatibility not endorsed by Sony Interactive Entertainment Inc.

For more information, visit <https://support.thrustmaster.com>.

AUTOMATIC RACING WHEEL AND PEDAL SET CALIBRATION

The wheel automatically self-calibrates when you plug the racing wheel into an electrical outlet and connect the racing wheel's USB connector to the console.

During this phase, the racing wheel will rotate quickly towards the left and the right, covering a 1080 degree angle, before stopping at the center.



WARNING:

Never touch the racing wheel during the self-calibration phase!
(This could result in improper calibration and/or personal injuries.)

AUTOMATIC CALIBRATION OF THE PEDAL SET

Never connect the pedal set to the racing wheel's base (or disconnect it from the base) when it is connected to the console or during gameplay (this could result in improper calibration).

Always connect the pedal set before connecting the racing wheel to the console.

Once the racing wheel's calibration is complete and the game has been started, the pedals are automatically calibrated after a few presses.



WARNING:

Never press the pedals during the racing wheel's self-calibration phase or while a game is loading!
(This could result in improper calibration.)

If your racing wheel and/or pedal set do not function correctly, or if they seem to be improperly calibrated:

Power off your console and completely disconnect the racing wheel. Then reconnect all cables (including the power supply cable and the pedal set), and restart your console and your game.

INTERNAL COOLING SYSTEM FOR THE WHEEL'S BASE

The internal cooling system for the wheel's base

- starts working when the wheel is powered on.
- switches off after a few minutes of inactivity when the internal temperature cools down to a low level.
- switches on again when you use the wheel.

MODE BUTTON AND INDICATOR LIGHT (10)

MODE button for the pedal set

You can electronically swap the gas and clutch pedals.

To do so, simply press the MODE button (10) for 2 seconds.

The racing wheel's internal memory stores whether the pedals have been swapped around or not.

GAS AND CLUTCH PEDALS	Colour of the MODE indicator light (10)
NORMAL	RED
SWAPPED AROUND	GREEN

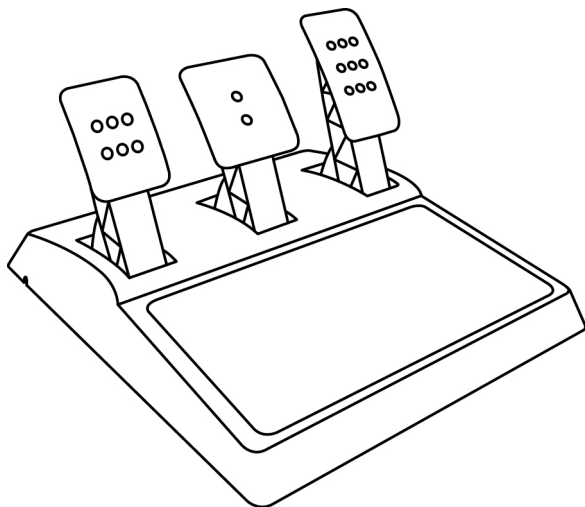
Other information regarding the MODE button

To learn more about the MODE button and indicator light, please visit <https://support.thrustmaster.com>. Click **Racing Wheels/T-GT II**, and then select **Manual** or **FAQ**.

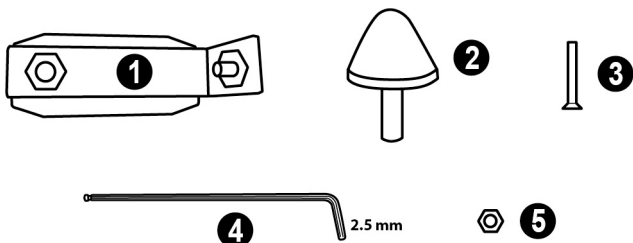
HELP FILES AND FAQs

Please visit <https://support.thrustmaster.com>. Click **Racing Wheels/T-GT II**, and then select **Manual** or **FAQ**.

T-GT II EDITION PEDAL SET



TECHNICAL FEATURES



1 Metal support for conical stop

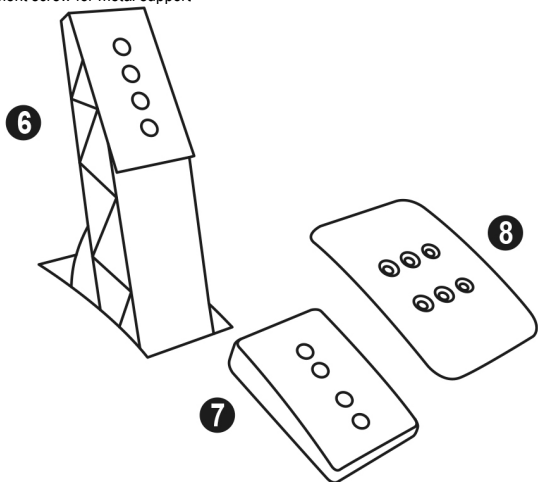
(not installed by default)

2 Conical stop

3 Attachment screw for metal support

4 2.5 mm Allen key (included)

5 Position adjustment nut for conical stop



6 Metal pedal arm

7 Plastic head support

8 Metal pedal head

WARNING

Before using this product, be sure to read these instructions carefully and save them for future reference.



For safety reasons, never use the pedal set with bare feet or while wearing only socks on your feet.

THRUSTMASTER® DISCLAIMS ALL RESPONSIBILITY IN THE EVENT OF INJURY RESULTING FROM USE OF THE PEDAL SET WITHOUT SHOES.



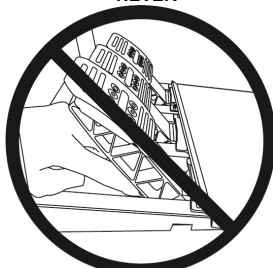
Warning – Pedal set pinching hazard during gaming sessions

- * Keep the pedal set out of the reach of children.
- * During gaming sessions, never place your fingers or thumbs on or near the sides of the pedals.
- * During gaming sessions, never place your fingers or thumbs on or near the rear base of the pedals.
- * During gaming sessions, never place your fingers or thumbs on or near the front base of the pedals.

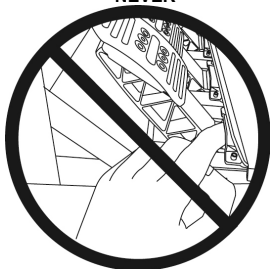
NEVER



NEVER



NEVER



AUTOMATIC CALIBRATION OF PEDALS



- Never connect or disconnect the pedal set from the base of the wheel when the wheel is connected to a PS5™ console or PS4™ console or to a PC, or during gaming sessions, to avoid calibration problems.
- Always connect the pedal set to the wheel before connecting the wheel to a PS5™ console or PS4™ console or to a PC.
- Once the wheel has self-calibrated and the game has started, the pedals automatically calibrate themselves after being pressed a few times.
- Never press on the pedals when the wheel is self-calibrating or when your game is starting up, to avoid calibration problems.
- If the pedals are not functioning correctly or appear to be improperly calibrated, power off your system, completely disconnect your wheel, then reconnect all of the cables (including the power supply cable and the pedal set cable), power the system back on and restart your game.

ATTACHING THE PEDAL SET TO A COCKPIT

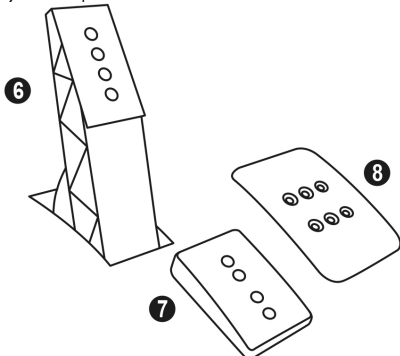
- Attach the pedal set using the small screw threads located on the underside of the pedal set.
- Screw two M6 screws (not included) into the cockpit's pedal support plate and into the two small screw threads located on the underside of the pedal set.

Important: The length of the two M6 screws must not exceed the thickness of the cockpit's pedal support plate plus an additional 10 mm, to avoid damaging the pedal set's internal components.

ADJUSTING THE PEDAL SET

Each of the three pedals includes:

- A metal head (8) with multiple perforations (nine for the gas – two for the brake – six for the clutch).
- A plastic head support (7) (placed between the head and the arm) with four perforations.
- A metal pedal arm (6) with four perforations.

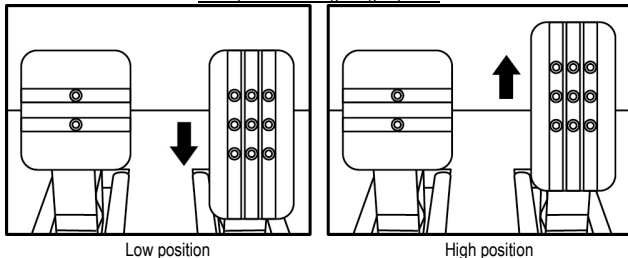


ATTENTION: To avoid any calibration problems, be sure to always disconnect your wheel's USB cable from the PS5™ console or PS4™ console before making any adjustments to your pedal set.

Adjusting the HEIGHT of the 3 pedals

- Using the included 2.5 mm Allen key (4), unscrew the two screws holding the metal head (8) and its support (7) in place.
- Select your preferred height position, then replace and re-tighten the screws so that the metal head (8) and its support (7) are held firmly in place.

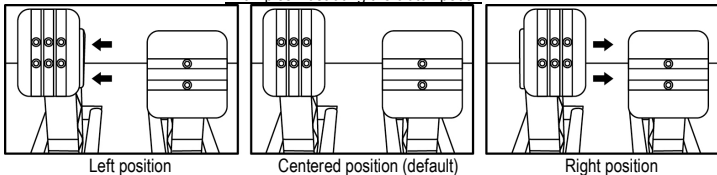
Examples illustrating the gas pedal:



Adjusting the SPACING of the gas pedal and the clutch pedal

- Using the included 2.5 mm Allen key (4), unscrew the two screws holding the metal head (8) and its support (7) in place.
- Select your preferred position (to the left, centered, or to the right), then replace and re-tighten the screws so that the metal head (8) and its support (7) are held firmly in place.

Examples illustrating the clutch pedal:



Left position

Centered position (default)

Right position

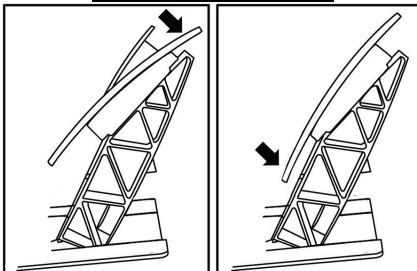
Number of possible spacing positions per pedal:

- Three for gas pedal
- Three for clutch pedal

Adjusting the INCLINATION of the 3 pedals

- Using the included 2.5 mm Allen key (4), unscrew the two screws holding the metal head (8) and its support (7) in place.
- Turn the plastic head support (7) 180°, then replace and re-tighten the screws so that the metal head (8) and its support (7) are held firmly in place.

Examples illustrating the gas pedal:



Less inclined position

More inclined position (default)

Number of possible inclination positions per pedal:

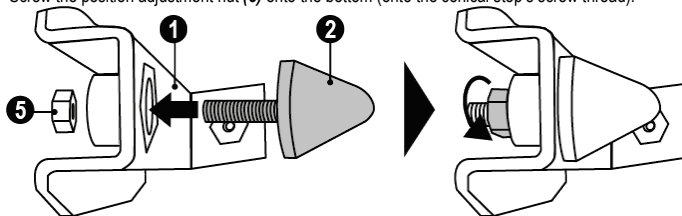
- Two for gas pedal
- Two for brake pedal
- Two for clutch pedal

Installing the conical stop (“CONICAL RUBBER BRAKE” mod)

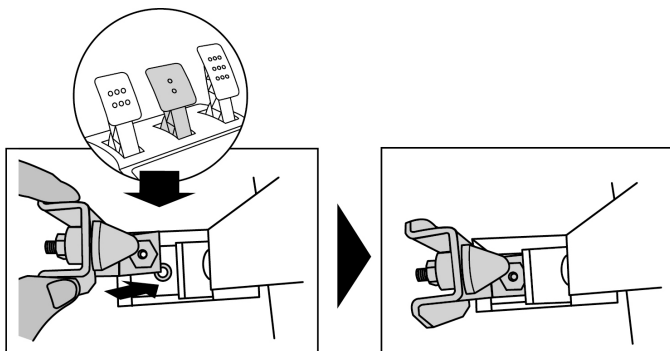
This modification (or “mod”) is not essential, and is not installed by default. This means that the brake pedal functions perfectly even if the mod is not installed.

This mod lets you experience a different feeling and resistance when braking. It’s up to you whether or not to install it, depending on your own preferences.

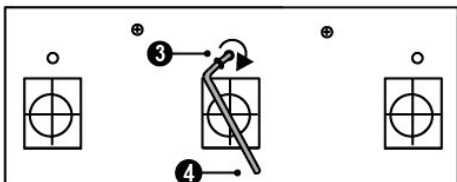
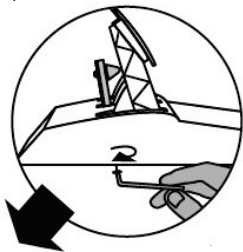
- Screw the conical stop **(2)** onto its metal support **(1)**.
- Screw the position adjustment nut **(5)** onto the bottom (onto the conical stop’s screw thread).



- Position the unit at the back of the brake pedal’s arm.



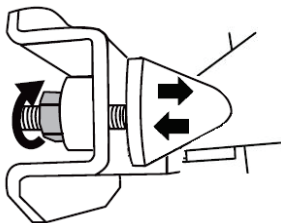
- Using the included 2.5 mm Allen key (4), attach the unit using the attachment screw (3) and the small central screw thread located on the underside of the pedal set.



The "CONICAL RUBBER BRAKE" mod is now installed!

Adjusting the brake pedal's RANGE of travel and STRENGTH of resistance

By slightly unscrewing the nut (5), you can further strengthen the resistance of the brake pedal by moving the conical stop (2) closer to the back of the pedal's arm (if necessary, use a 14 mm wrench or pliers to re-tighten the nut and maintain the selected position). The closer the conical stop is positioned to the back of the pedal's arm, the greater the strength of resistance will be.



Note: When the conical stop is very close to the back of the brake pedal's arm, you may experience difficulties in reaching the maximum calibration value. Should that be the case:

- * Slowly, press very hard on the brake pedal so as to reach the maximum value (if necessary, stand very briefly on the pedal – just for a second), then release the pressure; or else
- * Move the conical stop a bit farther away from the back of the brake pedal's arm.

COPYRIGHT

©2021 Guillemot Corporation S.A. All rights reserved. Thrustmaster® is a registered trademark of Guillemot Corporation S.A. Manufactured and distributed by Guillemot Corporation S.A. All other trademarks and brand names are hereby acknowledged and are the property of their respective owners. Contents, design, and specifications are subject to changes without notice and may vary from one country to another. Photos and illustration not binding. Designed in North America and Europe, made in China.

For use exclusively with PlayStation®5 consoles and PlayStation®4 consoles.

"PS", "PlayStation", "PS5", and "PS4" are registered trademarks or trademarks of Sony Interactive Entertainment Inc. All rights reserved. All other trademarks are the property of their respective owners. Manufactured and distributed under license from Sony Interactive Entertainment Inc.

Gran Turismo and Gran Turismo logo are registered trademarks or trademarks of Sony Interactive Entertainment Inc.

TouchSense® technology licensed from Immersion Software Ireland Limited. Protected by one or more of the U.S. Patents found at the following address: www.immersion.com/patent-marking.html, and other patents pending.

ENVIRONMENTAL PROTECTION RECOMMENDATION

Please contact your local authorities for information on the collection point nearest you.

For all other countries: Please adhere to local recycling laws for electrical and electronic equipment.

Retain this information. Colors and decorations may vary.

Plastic fasteners and adhesives should be removed from the product before it is used.

www.thrustmaster.com



immersion.

THRUSTMASTER®

TECHNICAL SUPPORT

<https://support.thrustmaster.com>



T-GT II

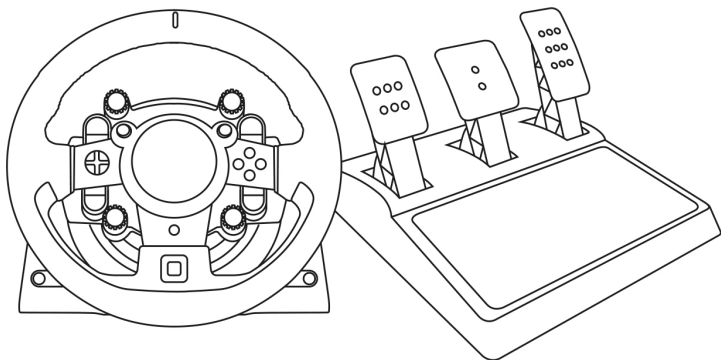
PlayStation®5 主機和 PlayStation®4 主機版

使用者手冊

ENGLISH

中文

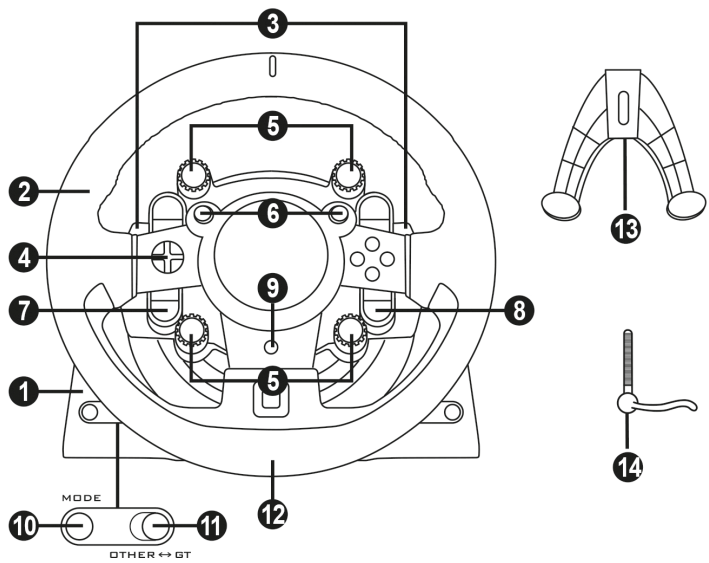
한국어



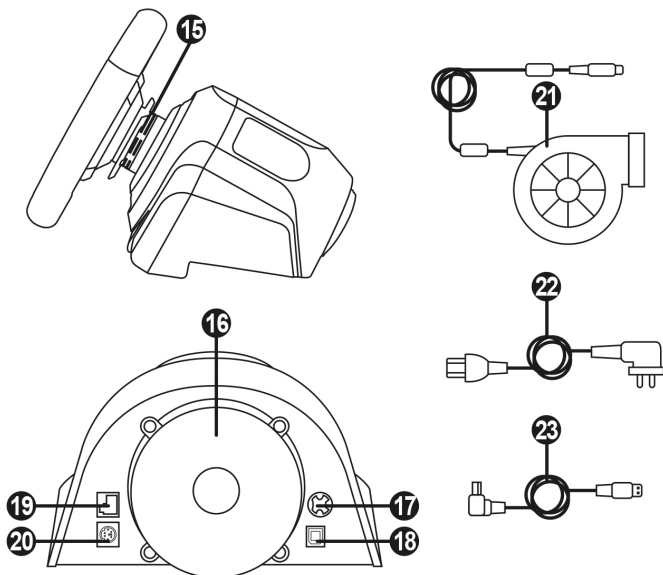
警告：

為確保 T-GT II 方向盤能夠正常操控遊戲，
您可能需要安裝遊戲的自動更新
(當您的主機連接到網際網路時可用)。

技術特性



- | | |
|---|---|
| <ul style="list-style-type: none"> 1 T-GT II 底座 2 T-GT II 方向盤 3 2 個序列式換檔撥片 (向上和向下) 4 方向鍵按鈕 5 4 個帶有按鈕的旋鈕式選取器 6 2 個迷你操作桿 7 SHARE/CREATE 按鈕 | <ul style="list-style-type: none"> 8 OPTIONS 按鈕 9 PS 按鈕 10 MODE 按鈕 + 紅色/綠色指示燈 11 內建 USB 滑動開關：OTHER/ GT 12 大螺紋孔 (用於安裝固定系統和緊固螺絲) 13 固定系統 14 金屬緊固螺絲 |
|---|---|



- | | |
|---|-----------------------|
| 15 Thrustmaster (圖馬思特) 快拆系統 | 20 TH8A 變速器接頭 (變速器另售) |
| 16 T-DFB 效果系統 (僅在 GT 模式下
相容於 PS5™ 主機和 PS4™ 主機) | 21 T-TURBO 電源 |
| 17 T-TURBO 電源接頭 | 22 電源線 |
| 18 可拆卸 USB 連接線接頭 | 23 可拆卸 USB 連接線 |
| 19 踏板組接頭 | |

將方向盤插接到電氣插座上：
請仔細閱讀以下警告！



切勿將 T-TURBO 插接到不同電壓的電氣插座上！T-TURBO 電源線母接頭上的標籤上標示有電源的電壓。



切勿將 T-TURBO 電源之外的其他電源連接到 T-GT II 底座，即使其接頭相容！例如，切勿將 T500 RS 方向盤的電源轉接頭連接到 T-GT II 底座。

警告

在使用此產品之前，請仔細閱讀並保管好本手冊以備日後參考之用。



警告——觸電

- * 請將本產品置於乾燥的位置，切勿將其暴露在灰塵或陽光中。
- * 切勿扭曲或拉扯接頭和連接線。
- * 切勿讓任何液體濺到本產品或其連接器上。
- * 切勿造成本產品短路。
- * 切勿拆散本產品；切勿將其投入火中，亦勿將其暴露在高溫環境中。
- * 請務必使用方向盤隨附的電源線，切勿使用其他電源線。
- * 如果電源線或其接頭損壞、裂開或斷裂，請勿使用該連接線。
- * 請務必將電源線正確插入到電氣插座中，並正確連線到位於方向盤底座背面的接頭。
- * 切勿拆開方向盤；內部沒有任何可由使用者維修的零部件。任何維修工作均須由製造商、其授權代表或持證技工執行。
- * 僅使用製造商指定的固定系統配件。
- * 如果方向盤工作異常（如果出現任何異常的聲音、過熱或有異味），應立即停止使用，從電氣插座上斷開電源線，並斷開其他連接線。
- * 如果長時間不使用方向盤，請從電氣插座上斷開電源線。
- * 電氣插座必須位於裝置附近，且必須方便拆卸電源線。

針對 220 V 電源轉接頭的資訊

發佈的資訊	值	單位
製造商名稱或商標、工商註冊號和地址	GUILLEMOT CORPORATION S.A. 414 196 758 Rennes Place du Granier BP 97143 35571 Chantepie Cedex 法國	
型號	Turbo 電源 220 V	
輸入電壓	220 - 240	V
輸入交流電頻率	50 / 60	Hz
輸出電壓	24.0	V AC
輸出電流	4.0	A
輸出功率	96.0	W
平均工作效率	90.9	%
低負載時的效率 (10%)	86.8	%
空載電耗	0.01	W

**通氣孔**

切勿堵住方向盤底座上的任何通氣孔。為獲得最佳通風效果，請務必遵循以下幾點：

- * 將方向盤底座置於距離任何牆面至少 10 cm 的位置。
- * 切勿將底座置於任何狹小空間內。
- * 切勿覆蓋底座。
- * 避免通氣孔上堆積灰塵。



為安全起見，切勿赤腳或僅穿襪子操作踏板。

如因未穿鞋操作踏板組而造成任何傷害，THRUSTMASTER® (圖馬思特) 對此概不負責。

**警告——因力回饋和重複運動造成的傷害**

使用力回饋方向盤玩遊戲可能會造成肌肉或關節疼痛。為避免這些問題：

- * 避免長時間玩遊戲。
- * 每玩一小時後休息 10 到 15 分鐘。
- * 如果手、手腕、手臂、腳或腿有任何疲勞或疼痛的感覺，應停止玩遊戲，休息幾個小時後再玩。
- * 如果再玩時仍然存在上述症狀或疼痛感，應立即停止玩遊戲並諮詢醫生。
- * 放到兒童夠不到的區域。
- * 玩遊戲期間，應始終將雙手正確放在方向盤上，手不要完全離開方向盤。
- * 玩遊戲期間，切勿將手或手指放在踏板下方或踏板組附近任何位置。
- * 校準和玩遊戲期間，切勿將手或手臂穿過方向盤的開孔。
- * 務必按照本手冊的說明將方向盤底座固定到位。

重產品

本產品只能由
年滿 16 歲的使用者操作



小心不要讓本產品砸到自己或他人！

務必



切勿



切勿



警告——玩遊戲時存在踏板組夾傷危險

- * 將踏板組放在兒童夠不到的區域。
- * 玩遊戲時，切勿將手指放在踏板側邊或附近任何位置。
- * 玩遊戲時，切勿將手指放在踏板後底座上或附近任何位置。
- * 玩遊戲時，切勿將手指放在踏板前底座上或附近任何位置。

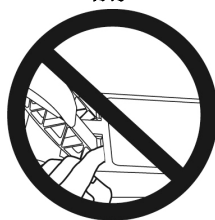
切勿



切勿



切勿



警告——不玩遊戲時存在的踏板組夾傷危險

- * 將踏板組放在安全且兒童夠不到的位置。

更新方向盤韌體

本方向盤底座中包含的韌體可升級到更新的版本，從而獲得產品增強功能。

要顯示方向盤當前使用的韌體版本並在需要時進行升級：在 PC 上，瀏覽 <https://support.thrustmaster.com>。按一下 **Racing Wheels (方向盤)** / **T-GT II**，然後選取 **Firmware (韌體)**，按照下載和安裝程式說明進行操作。

重要提示：

在 PC 上，方向盤底座上的 USB 滑動開關 (11) 必須始終設定為「OTHER」（其他）擋位。

將方向盤安裝到底座上

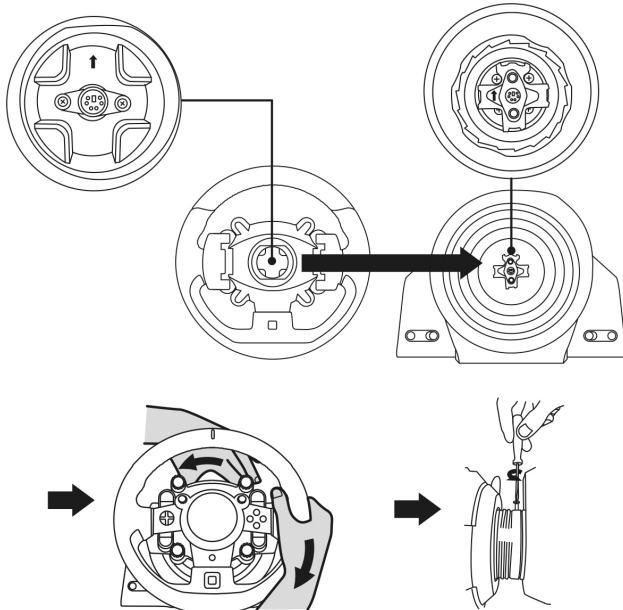
按照箭頭指示對準接頭位置：

底座 (1) 接頭：箭頭朝上

方向盤 (2) 接頭：箭頭朝上

正確放置接頭之後，只需使方向盤 (2) 固定到位，同時逆時針旋轉 Thrustmaster (圖馬思特) 快拆器 (15) 裝置的圓環即可。

然後，儘量擰緊圓環；要擰緊圓環，只需將圓環固定到位，然後順時針旋轉方向盤。



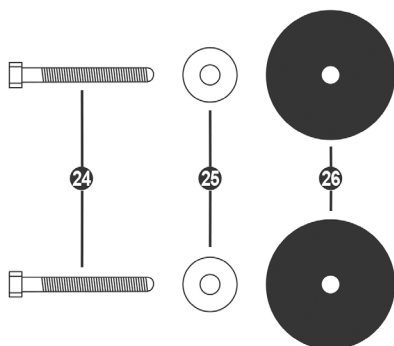
安裝好方向盤後，將其旋轉 180° (正對方向盤時，GT 徽標應倒立)，以便操作 Thrustmaster (圖馬思特) 快拆器 (15) 裝置圓環上的小固定螺絲。使用大十字螺絲刀順時針擰緊小固定螺絲 (切勿用力過猛)。



**使用十字螺絲刀擰緊小固定螺絲時切勿用力過猛！
感覺到有阻力後即停止擰螺絲。**

固定方向盤

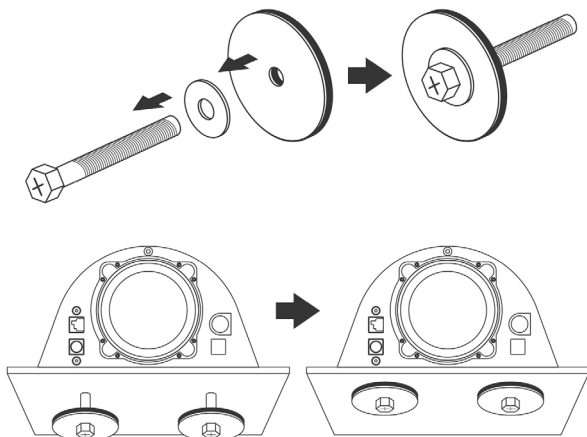
將方向盤底座固定到駕駛座上



24 2 個 M6 類型六角頭/十字頭螺栓

25 2 個墊圈

26 2 個安裝盤（一面為金屬，另一面為橡膠紋理）



1. 將墊圈 (25) 置於安裝盤 (26) 的金屬面上，裝入 M6 類型六角頭/十字頭螺栓 (24)。

2. 將方向盤底座放到駕駛座支架上。

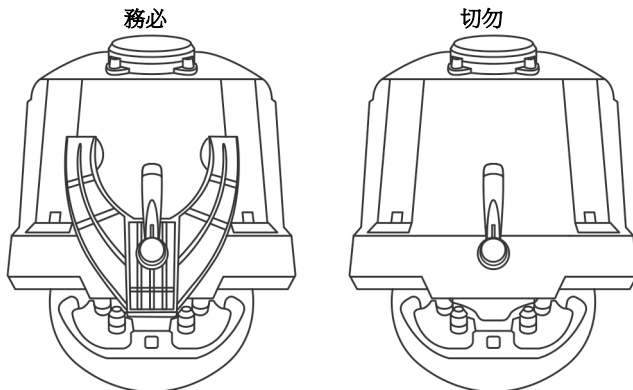
3. 使用 10 毫米扳手或十字頭螺絲刀，將駕駛座安裝套件拧入駕駛座台架上並拧紧到方向盤下方的 2 個小螺紋上。

注意：

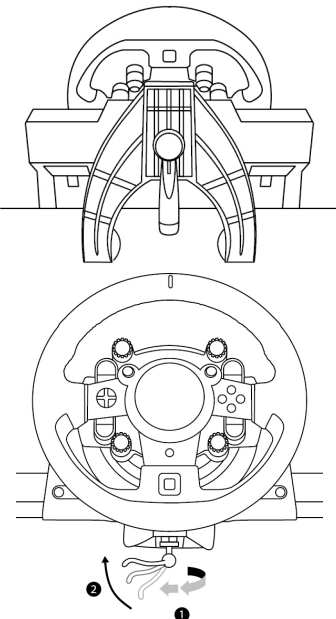
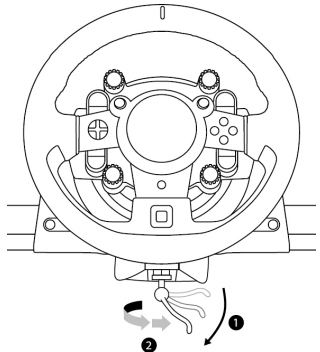
- 切勿取下方向盤底座下面的泡沫墊！泡沫墊可放大 T-DFB 系統在連接方向盤時的效應。
- 安裝盤 (26) 的橡膠紋理面必須朝駕駛座台架放置 = 切勿將金屬面朝向駕駛座台架。

將方向盤固定到檯面或桌面上

1. 將方向盤置於桌台或任何水平、平整且穩定的表面上。
2. 將緊固螺絲 (14) 插入到固定系統 (13) 中，然後按下述方法緊固方向盤：逆時針擰轉螺絲，使螺絲進入方向盤底部的大螺紋孔 (12) 中，直至方向盤完全固定好為止。

**警告：**

- 切勿在未將固定系統安放到位的情況下擰緊螺絲！（這樣可能會損壞方向盤）。
- 切勿取下方向盤底座下面的泡沫墊！泡沫墊可放大 T-DFB 系統在連接方向盤時的效應。

固定/拆卸	操作指示
<p>擰緊方法：</p> <p>逆時針 旋轉螺絲</p>	
<p>鬆開方法：</p> <p>順時針 旋轉螺絲</p>	

針對 PS5™ 主機和 PS4™ 主機設定方向盤

1. 將踏板組連接到方向盤底座背部的接頭 (19)。
2. 將 T-TURBO 電源 (21) 連接到其接頭 (17)。
3. 將電源線 (22) 連接到 T-TURBO 電源，並將電源線插接到相同電壓的電氣插座上。
4. 將 USB 滑動開關 (11) 設定為「OTHER」或「GT」擋位，具體取決於您所使用的 PS5™ 或 PS4™ 遊戲。
5. 將可拆卸 USB 連接線 (23) 的兩端分別連接到其接頭 (18) 和 PS5™ 主機或 PS4™ 主機上的某個 USB 埠。
6. 在 PS5™ 主機或 PS4™ 主機開機後，方向盤即會自動校準。
7. 按方向盤上的 PS 按鈕 (9) 並登入您的 PlayStation™Network 帳戶，以便能夠使用該方向盤。

現在即可開始玩遊戲了！

重要事項：

- 不要忘記按方向盤上的 PS 按鈕 (9)，否則，將無法使用該方向盤。
- 在將方向盤的 USB 連接線連接到主機之前，必須先將方向盤底座上的 USB 滑動開關 (11) 設定在正確的擋位（「OTHER」或「GT」）。
- 要變更滑動開關的擋位：請斷開 USB 連接線，然後將開關設定到合適的擋位，再將 USB 連接線重新連接到主機。
- 在以下網站可以找到相容於 PlayStation®5 主機和 PlayStation®4 主機以及 T-GT II 方向盤的遊戲列表（以及所需的 USB 滑動開關 (11) 擋位，具體取決於您所玩的遊戲）：
<https://support.thrustmaster.com>（在 Racing Wheels（方向盤）/「T-GT II」部分中）。此列表將定期更新。

處於「OTHER」擋位的 USB 滑動開關 (11)

適用於除 GT SPORT 之外的 PS5™ 遊戲和 PS4™ 遊戲

當 USB 滑動開關 (11) 設定為「OTHER」擋位時：

- * 力回饋系統正常工作，但 T-DFB 效果系統 (16) 不起作用。

處於「GT」擋位的 USB 滑動開關 (11)

適用於 GT SPORT 遊戲（以及其他未來的 GT 遊戲）

當 USB 滑動開關 (11) 設定為「GT」擋位時：

- * 力回饋系統和 T-DFB 效果系統 (16) 同時正常工作。在 GT Sport 遊戲的選單中，每個系統的功率級別均可獨立進行調節。

針對 PC 設定方向盤*

*此產品對 PC 的相容性未經 Sony Interactive Entertainment Inc. 的認可。

有關詳細資訊，請瀏覽 <https://support.thrustmaster.com>。

自動校準方向盤和踏板組

將此方向盤插接到電氣插座並將方向盤的 USB 接頭連接到主機之後，即可自動執行方向盤自校準。

在自校準過程中，方向盤將快速地左右各旋轉 1080 度，然後在中心位置停下。



警告：

**切勿在自校準過程中觸摸方向盤！
(這可能導致校準不正確和/或人員受傷。)**

自動校準踏板組

當踏板組連接到主機上時，或者在玩遊戲期間，切勿將踏板組連接到方向盤底座（或者將其從底座斷開）（這可能導致校準不正確）。

務必先連接踏板組，再將方向盤連接到主機。

完成方向盤校準並啟動遊戲之後，只需踩幾下踏板，即會自動校準踏板。



警告：

**在賽車方向盤的自動校準階段或載入遊戲期間，
切勿踩踏踏板！
(這可能導致校準不正確。)**

如果您的方向盤和/或踏板組運作不正常，或似乎校準不當：

關閉主機，並完全斷開方向盤。然後重新連接所有連接線（包括電源線和踏板組連接線），重新啟動主機和遊戲。

方向盤底座內建散熱系統

方向盤底座內建散熱系統

- 在方向盤通電時開始工作。
- 在閒置幾分鐘後，當內部溫度下降到設定的低溫水準時，將會自動關閉。
- 當您使用方向盤時將會再次自動打開。

MODE 按鈕和指示燈 (10)

踏板組的 MODE 按鈕

您可透過電子方式切換油門踏板和離合器踏板。
要切換踏板，只需按住 MODE 按鈕 (10) 兩秒鐘即可。
方向盤的內部記憶體會儲存是否已切換踏板的資訊。

油門和離合器踏板	MODE 指示燈 (10) 的顏色
正常	紅色
已切換	綠色

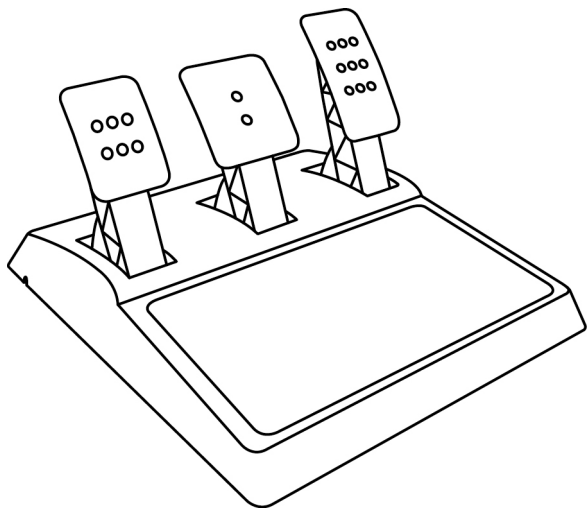
關於 MODE 按鈕的其他資訊

要瞭解有關 MODE 按鈕和指示燈的更多資訊，請瀏覽 <https://support.thrustmaster.com>。
按一下 Racing Wheels (方向盤) / T-GT II，然後選取 Manual (手冊) 或 FAQ (常見問題解答)。

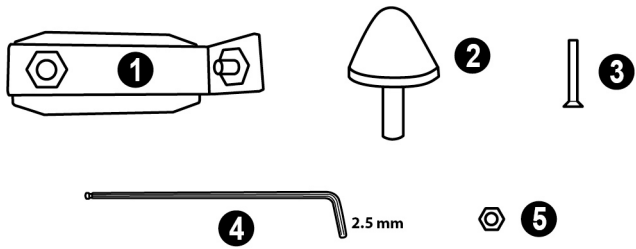
說明檔案和常見問題解答

請瀏覽 <https://support.thrustmaster.com>。按一下 Racing Wheels (方向盤) / T-GT II，然後選取 Manual (手冊) 或 FAQ (常見問題解答)。

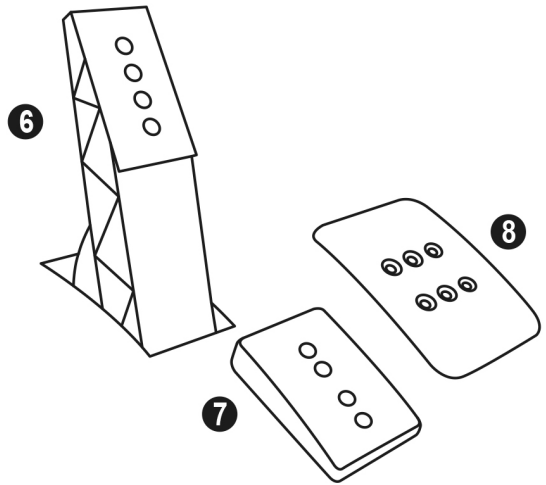
T-GT II EDITION 踏板組



技術特性



- 1 錐形煞車片金屬支架
(預設不安裝)
- 2 錐形煞車片
- 3 金屬支架固定螺絲
- 4 2.5 mm 內六角扳手 (隨附)
- 5 錐形煞車片的位置調節螺母



- 6 金屬踏板臂
- 7 塑膠頭支架
- 8 金屬踏板頭

警告

使用本產品前，請務必仔細閱讀這些說明，並妥善儲存，以便將來參考。



為安全起見，切勿赤腳或僅穿襪子操作踏板組。

如因未穿鞋操作踏板組而造成任何傷害，THRUSTMASTER®（圖馬思特）對此概不負責。



警告——遊戲期間存在踏板組夾傷危險

- * 將踏板組放在兒童夠不到的區域。
- * 在遊戲期間，切勿將手指或拇指放在踏板側邊或附近。
- * 在遊戲期間，切勿將手指或拇指放在踏板後底座上或附近。
- * 在遊戲期間，切勿將手指或拇指放在踏板前底座上或附近。

切勿



切勿



切勿



自動校準踏板



重要提示：

- 方向盤連接至 PS5™ 主機或 PS4™ 主機或 PC 時，或在遊戲期間，切勿將踏板組連接到方向盤底座（或者將其從底座斷開），以免出現校準問題。
- 在將方向盤連接到 PS5™ 主機或 PS4™ 主機或 PC 前，務必先將踏板組連接到方向盤。
- 方向盤完成自校準且遊戲開始後，踏板會在踩幾下之後自動校準。
- 方向盤自校準時或遊戲啟動過程中，切勿踩下踏板，以免出現校準問題。
- 如果踏板運作不正常或感覺校準不正確，請關閉系統，完全斷開方向盤，然後重新連接所有連接線（包括電源線和踏板組連接線），開啟系統並重新啟動遊戲。

將踏板組固定到駕駛座上

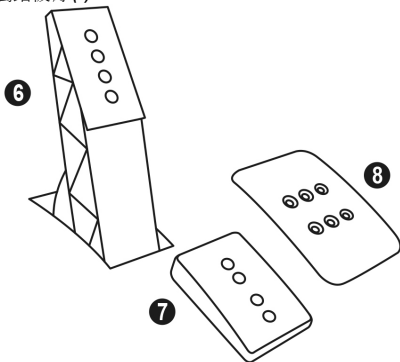
- 利用踏板組下方的小螺紋連接踏板組。
- 將兩顆 M6 螺絲（未隨附）擰入駕駛座的踏板支撐板上，並擰入踏板組下方的兩個小螺紋內。

重要提示：兩顆 M6 螺絲的長度不得比駕駛座踏板支撐板厚度大出 10 毫米以上，以免損壞踏板組的內部元件。

調整踏板組

三個踏板中的每個都包括：

- 一個金屬踏板頭 (8)，帶有多個穿孔 (油門踏板 9 個，煞車踏板 2 個，離合器踏板 6 個)。
- 帶 4 個穿孔的塑膠頭支架 (7) (在踏板頭和踏板臂之間)
- 帶 4 個穿孔的金屬踏板臂 (6)。

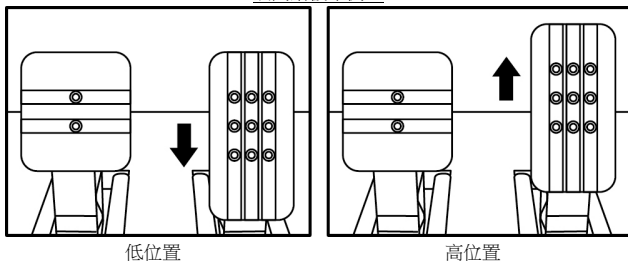


注意：為避免任何校準問題，在對踏板組進行任何調節之前，請務必始終從 PS5™ 主機或 PS4™ 主機或 PC 斷開方向盤的 USB 連接線。

調節三個踏板的高度

- 利用隨附的 2.5 毫米內六角扳手 (4)，鬆開並卸下用於緊固金屬頭 (8) 及其支架 (7) 的 2 個螺絲。
- 選取您想要的高度位置，然後更換並重新擰緊螺絲，以使金屬頭 (8) 及其支架 (7) 牢靠地固定到位。

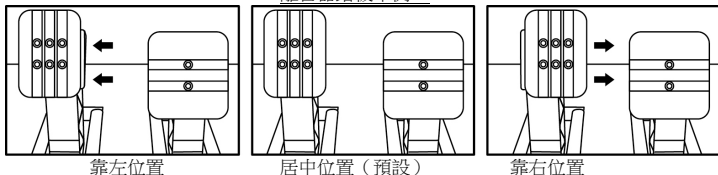
油門踏板示例：



調節油門踏板和離合器踏板的間距

- 利用隨附的 2.5 毫米內六角扳手 (4)，鬆開並卸下用於緊固金屬頭 (8) 及其支架 (7) 的 2 個螺絲。
- 選取您想要的位置（靠左、居中或靠右），然後更換並重新擰緊螺絲，以使金屬頭 (8) 及其支架 (7) 牢靠地固定到位。

離合器踏板示例：



靠左位置

居中位置（預設）

靠右位置

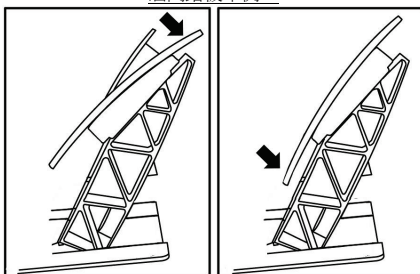
每個踏板可選的間距擋位數：

- 油門踏板 3 個
- 離合器踏板 3 個

調節三個踏板的傾角

- 利用隨附的 2.5 毫米內六角扳手 (4)，鬆開並卸下用於緊固金屬頭 (8) 及其支架 (7) 的 2 個螺絲。
- 將塑膠頭支架 (7) 旋轉 180°，然後更換並重新擰緊螺絲，以使金屬頭 (8) 及其支架 (7) 牢靠地固定到位。

油門踏板示例：



傾角較小的位置

傾角較大的位置（預設）

每個踏板可選的傾角擋位數：

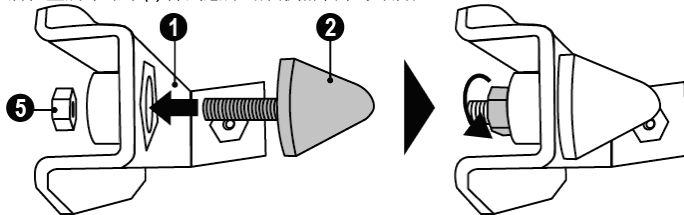
- 油門踏板 2 個
- 煞車踏板 2 個
- 離合器踏板 2 個

安裝錐形煞車片（錐形橡膠煞車片組）

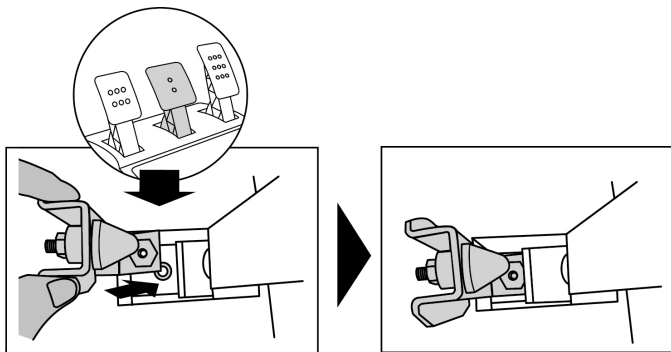
此片組並非必須，預設不安裝此片組。這意味著，即便未安裝煞車片組，煞車踏板功能也能正常運行。

此片組讓您在煞車時可以體驗到不同的感覺和阻力。
是否安裝此煞車片組，完全由您根據自己的喜好決定。

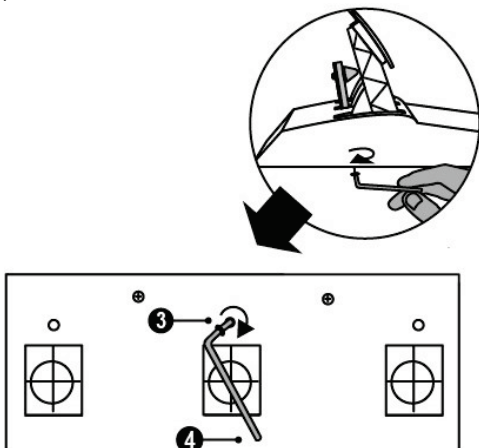
- 將錐形煞車片 (2) 擰緊到金屬支架 (1) 上。
- 將位置調節螺母 (5) 擰到底部（錐形煞車片的螺紋）。



- 將煞車片組置於煞車踏板臂的背部。



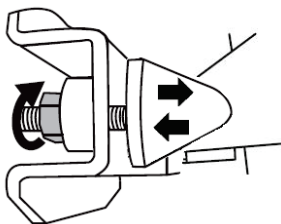
- 使用隨附的 2.5 毫米內六角扳手 (4)，透過固定螺絲 (3) 和踏板組底部中央的小螺紋固定煞車片組 (3)。



錐形橡膠煞車片組至此安裝完畢！

調整煞車踏板的行程和阻力

透過稍稍擰松螺母 (5)，您可以透過使錐形煞車片 (2) 更靠近踏板臂的背部（如有必要，可使用一個 14 毫米扳手或鉗子重新擰緊螺母並保持所選的位置）進一步增大煞車踏板的阻力。錐形煞車片離踏板臂背部越近，阻力就越大。



注意：當錐形煞車片非常靠近煞車踏板臂的背部時，您可能感覺難以到達最大校準值。倘若如此，請：

- * 緩慢地用力踩踏煞車踏板，使之到達最大值（如有必要，可非常短時地站立在踏板上——只站立一秒鐘），然後釋放壓力；否則，
- * 移動錐形煞車片，使其稍微遠離煞車踏板臂的背部。

COPYRIGHT

©2021 Guillemot Corporation S.A. All rights reserved. Thrustmaster® is a registered trademark of Guillemot Corporation S.A. Manufactured and distributed by Guillemot Corporation S.A. All other trademarks and brand names are hereby acknowledged and are the property of their respective owners. Contents, design, and specifications are subject to changes without notice and may vary from one country to another. Photos and illustration not binding. Designed in North America and Europe, made in China.

For use exclusively with PlayStation®5 consoles and PlayStation®4 consoles.

“PS”, “PlayStation”, “PS5”, and “PS4” are registered trademarks or trademarks of Sony Interactive Entertainment Inc. All rights reserved. All other trademarks are the property of their respective owners. Manufactured and distributed under license from Sony Interactive Entertainment Inc.

Gran Turismo and Gran Turismo logo are registered trademarks or trademarks of Sony Interactive Entertainment Inc.

TouchSense® technology licensed from Immersion Software Ireland Limited. Protected by one or more of the U.S. Patents found at the following address: www.immersion.com/patent-marking.html, and other patents pending.

環保建議

有關離您最近的收集點的資訊，請連絡您當地的相關機構。
請遵守當地電氣電子設備的回收法律。

請保留此資訊。顏色和裝飾風格可能會有不同。
在使用本產品之前，應先取下塑膠緊韌體並撕掉膠帶。

www.thrustmaster.com

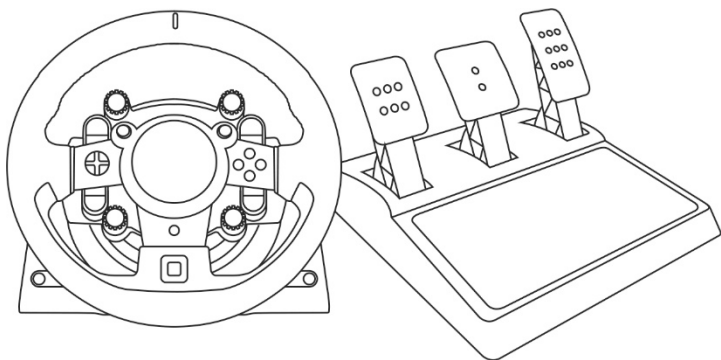


immersion.

T-GT II

PlayStation®5 콘솔 및 PlayStation®4 콘솔용

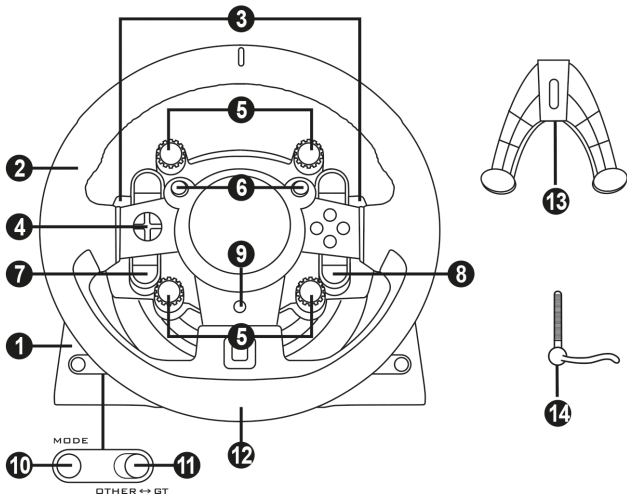
사용설명서



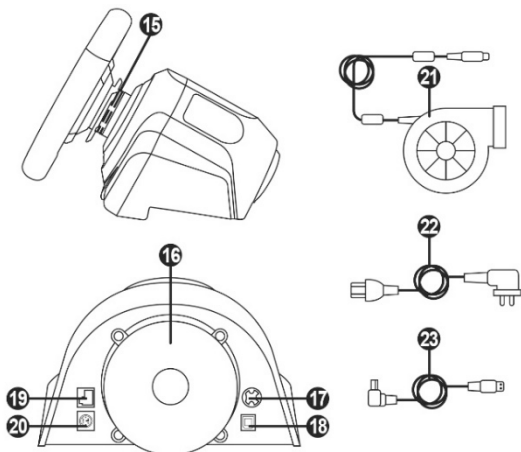
경고:

게임에서 T-GT II 레이싱 핸들 기능이 올바르게 발휘되도록 하려면, 게임 자동 업데이트를 설치해야 합니다(콘솔이 인터넷에 연결되면 자동 업데이트 기능을 사용할 수 있습니다).

기술적 특징



- | | |
|------------------------------|---------------------------------|
| 1 T-GT II 베이스 | 8 OPTIONS 버튼 |
| 2 T-GT II 핸들 | 9 PS 버튼 |
| 3 2 개의 시퀀셜 기어 패들 시프터(위 및 아래) | 10 MODE 버튼 + 적색/녹색 표시등 |
| 4 방향 버튼 | 11 내장형 USB 슬라이딩 스위치:
기타 / GT |
| 5 푸시 기능이 있는 4 개의 회전식 셀렉터 | 12 대형 나사 구멍(부착 시스템 및 나사 조임에 사용) |
| 6 2 개의 미니 스틱 | 13 부착 시스템 |
| 7 SHARE/CREATE 버튼 | 14 금속 조임나사 |



- 15 Thrustmaster 쿵 릴리즈
- 16 T-DFB 효과 시스템 (GT 모드에서 PSS™ 콘솔 및 PS4™ 콘솔에 한해 호환 가능)
- 17 T-TURBO 전원 공급 장치용 커넥터
- 18 탈착식 USB 케이블용 커넥터
- 19 페달 세트용 커넥터
- 20 TH8A 시프터용 커넥터 (시프터 별도 판매)
- 21 T-TURBO 전원 공급 장치
- 22 전원 공급 케이블
- 23 탈착식 USB 케이블

전기 콘센트에 핸들 연결하기:

주의 깊게 읽어보세요!



전압이 다른 전기 콘센트에는 절대로 T-TURBO 전원 공급 장치를 연결하지 마십시오! T-TURBO 전원 연결 장치의 전압은 전원 공급 케이블용 암용 커넥터 위 라벨에 표시되어 있습니다.



커넥터가 호환 가능하더라도 절대로 T-TURBO 이외의 다른 전원 공급 장치를 T-GT II 베이스에 연결하지 마십시오! 예를 들어, 절대로 T500 RS 핸들용 전원 어댑터를 T-GT II 베이스에 연결하지 마십시오.

경고

이 제품을 사용하기 전에, 이 설명서를 주의 깊게 읽고 나중에 참고할 수 있도록 잘 보관하시기 바랍니다.



경고 - 감전

- * 본 제품은 건조한 곳에 보관해야 하며, 먼지나 태양광선에 노출시키지 마십시오.
- * 커넥터 및 케이블을 비틀거나 잡아 당기지 마십시오.
- * 본 제품이나 제품의 커넥터에 액체를 흘리지 마십시오.
- * 제품을 단락(합선)시키지 마십시오.
- * 절대 분해하지 마십시오. 불 속에 제품을 던지지 마십시오. 제품을 고온에 노출시키지 마십시오.
- * 핸들과 함께 제공된 전원 공급 케이블이 아닌 다른 케이블을 사용하지 마십시오.
- * 전원 공급 케이블 또는 커넥터가 손상되거나, 갈라지거나 파손된 경우 케이블을 사용하지 마십시오.
- * 전원 공급 케이블이 전원 콘센트에 올바르게 끼워져 있고, 레이스싱 핸들 베이스 뒷면의 커넥터에 올바르게 연결되어 있는지 확인하십시오.
- * 레이스싱 핸들을 열지 마십시오. 핸들 내부에는 사용자가 수리할 수 있는 부품이 없습니다. 모든 수리는 제조사, 제조사가 승인한 대리점 또는 자격을 갖춘 기술자가 수행해야 합니다.
- * 제조사가 지정한 부착 시스템/부속품만 사용하십시오.
- * 핸들이 비정상적으로 작동하면(비정상적인 소리, 열, 또는 냄새가 나는 경우), 즉시 사용을 중단하고 콘센트에서 전원 케이블을 뽑고, 다른 케이블들의 연결을 해제하십시오.
- * 레이스싱 핸들을 장시간 동안 사용하지 않을 경우에는 콘센트에서 전원 공급 케이블을 뽑으십시오.
- * 전기 콘센트는 장비 근처에 위치해야 하며, 접근성이 좋아야 합니다.

220V 전원 공급 어댑터 정보

제공되는 정보	값	단위
제조사명 또는 상표, 사업자 등록 번호 및 주소	GUILLEMOT CORPORATION S.A. 414 196 758 Rennes Place du Granier BP 97143 35571 Chantepie Cedex 프랑스	
모델 식별자	Turbo Power 220V	
입력 전압	220 - 240	V
입력 AC 주파수	50 / 60	Hz
출력 전압	24.0	V AC
출력 전류	4.0	A
출력 전력	96.0	W
평균 동작 효율	90.9	%
낮은 부하(10%) 효율	86.8	%
무부하시 소비 전력	0.01	W



공기 환기구

레이싱 핸들 베이스에 있는 어떠한 공기 환기구도 막지 마십시오. 최적의 환기를 위해 다음 사항을 준수하십시오:

- * 핸들 베이스와 모든 벽면 사이에는 최소 10cm의 간격을 두십시오.
- * 좁은 공간에 베이스를 두지 마십시오.
- * 베이스를 덮지 마십시오.
- * 공기 환기구에 먼지가 쌓이지 않게 하십시오.



**안전한 사용을 위해 맨발 또는 양말만 신은 상태로
페달 세트를 사용하지 마십시오.**

**THRUSTMASTER®는 신발 없이 페달 세트를 조작함으로써 발생하는 부상에 대해
어떠한 책임도 지지 않습니다.**



경고 - 포스 피드백(충격 또는 진동 체감) 및 반복적인 움직임으로 인한 부상 위험

위험

포스 피드백(게임 기기에서 충격 또는 진동을 실제로 체감하는 기능) 레이싱 핸들을 이용해서 게임하는 경우 근육이나 관절의 통증을 가져올 수 있습니다. 이러한 문제를 예방하려면 다음 사항을 준수하십시오:

- * 장시간 동안 게임하지 마십시오.
- * 게임 중 한 시간 당 10 ~ 15 분 정도 휴식을 취하십시오.
- * 손, 손목, 팔, 발, 다리가 피로하거나 통증이 있는 경우 게임을 중지한 후 두 세 시간 쉬었다가 다시 게임을 진행하십시오.
- * 게임을 다시 시작할 때 위에 설명한 증상이나 통증이 계속되는 경우에는 게임을 중단한 후 의사와 상담하십시오.
- * 어린이가 접근하지 못하게 하십시오.
- * 게임 중에는 반드시 양손으로 올바르게 핸들을 잡되, 핸들에서 양손을 모두 놓으면 안 됩니다.
- * 게임 중에는 양손이나 손가락을 절대 페달 밑에 두거나 페달 세트 근처에 두면 안 됩니다.
- * 보정 작업 중이나 게임 중에 레이싱 핸들의 구멍 속에 손이나 팔을 넣으면 절대로 안 됩니다.
- * 레이싱 핸들 베이스는 이 사용설명서의 지시대로 제대로 고정시켜야 합니다.

중량 제품



본 제품은 만 16 세 이상의 사용자만
조작해야 합니다



본 제품을 본인이나 다른 사람에게
떨어뜨리지 않도록 주의하십시오!

항상 준수



절대 금지



절대 금지



경고 - 게임 중 페달 세트에 끼일 위험

- * 페달 세트에 어린이가 접근하지 못하게 하십시오.
- * 게임 중에 절대로 페달 위 또는 옆면 근처에 손가락을 놓지 마십시오.
- * 게임 중에 절대로 페달의 뒷면 베이스 위 또는 근처에 손가락을 놓지 마십시오.
- * 게임 중에 절대로 페달의 앞면 베이스 위 또는 근처에 손가락을 놓지 마십시오.

절대 금지



절대 금지



절대 금지



경고 - 게임하지 않을 때 페달 세트에 끼일 위험

- * 항상 어린이의 손이 닿지 않는 안전한 장소에 보관하십시오.

레이싱 핸들 펌웨어 업데이트

레이싱 핸들 베이스에 포함된 펌웨어는 제품을 개선시킨 최신 버전으로 업데이트할 수 있습니다.

레이싱 핸들에서 현재 사용 중인 펌웨어 버전을 표시하고 필요한 경우 업데이트하려면 PC에서 <https://support.thrustmaster.com>을 방문하십시오. **Racing Wheels / T-GT II(레이싱 핸들 / T-GT II)**을 클릭한 후 **Firmware(펌웨어)**를 선택하고 다운로드 및 설치 절차를 설명하는 지침을 따르십시오.

중요 참고:

PC의 경우 레이싱 핸들 베이스에 있는 USB 슬라이딩 스위치 (11)가 반드시 항상 "OTHER" 위치로 설정되어 있어야 합니다.

핸들을 핸들 베이스에 설치하기

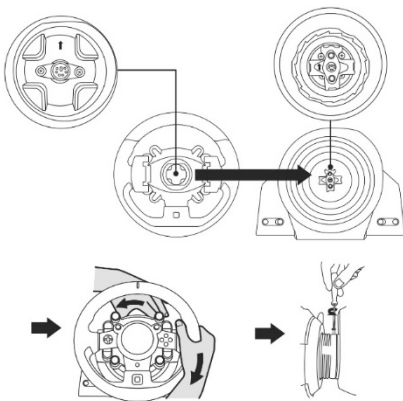
화살표들을 이용해서 커넥터 위치를 맞춥니다:

베이스 (1) 커넥터: 위쪽을 가리키는 화살표

레이싱 핸들 (2) 커넥터: 위쪽을 가리키는 화살표

커넥터를 올바른 위치에 놓고 레이싱 핸들 (2)를 제 위치에 고정시킨 상태에서 Thrustmaster 퀵 릴리즈 (15) 장치의 링을 시계 반대 방향으로 돌립니다.

그 다음에 링을 최대한 조입니다. 링을 최대한 조이려면 링을 제 위치에 고정시킨 상태에서 레이싱 핸들을 시계 방향으로 돌립니다.



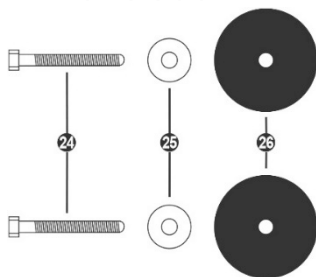
핸들을 설치한 다음에는 Thrustmaster 퀵 릴리즈 (15) 장치에 위치한 소형 부착 나사에 손이 닿을 수 있도록 핸들을 180° 회전합니다(핸들을 마주봤을 때 GT 로고의 위아래가 뒤집힌 상태여야 함). 대형 십자 드라이버로 소형 부착 나사를 시계 방향으로 돌려 조입니다(무리한 힘을 가하지 마십시오).



Philips 스크류 드라이버 사용시, 소형 부착 나사를 조일 때 지나치게 힘을 가하지 마십시오! 무언가 닿은 느낌이 있으면 즉시 나사 돌리기를 멈추십시오.

레이싱 핸들 부착하기

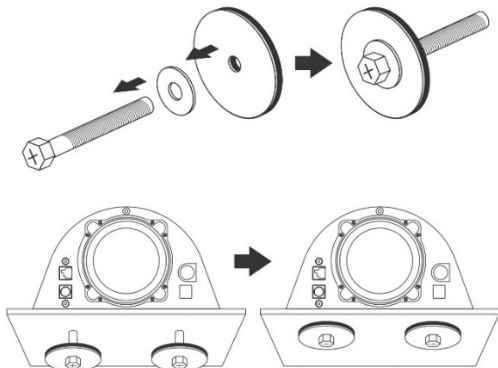
레이싱 핸들 베이스를 조종석에 부착하기



24 M6 형 6 각 헤드/필립스 헤드 볼트 2 개

25 와셔 2 개

26 마운팅 디스크 2 개 (한쪽 면 금속 소재, 반대쪽 면 질감 처리된 고무)



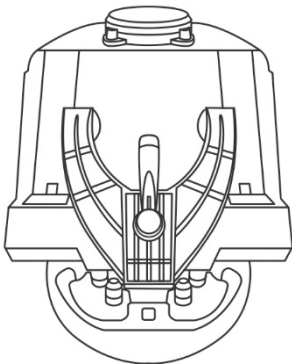
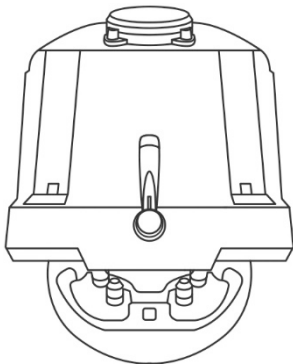
1. 와셔(25)를 마운팅 디스크의 금속 면(26)에 위치시킨 후, M6 형 6 각 헤드/필립스 헤드 볼트(24)를 삽입합니다.
2. 레이싱 핸들 베이스를 조종석 선반에 놓습니다.
3. 10mm 렌치 키 또는 필립스 헤드 스크루드라이버를 이용해 조종석 마운팅 키트를 조종석 선반과 핸들 밑에 위치한 작은 나사산 2 개에 고정시킵니다.

주의:

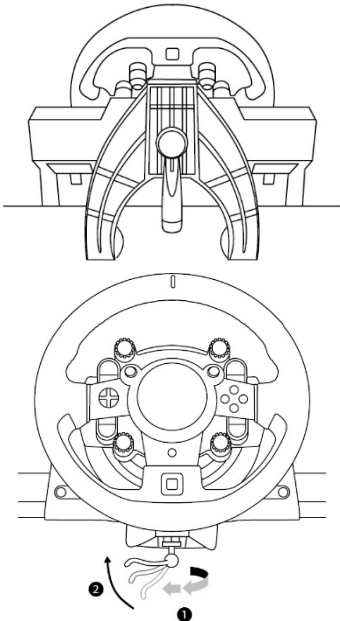
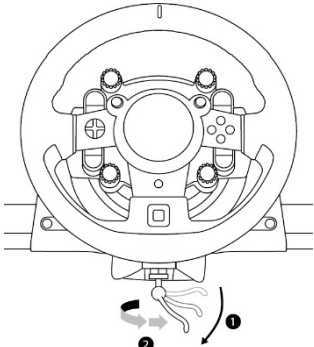
- 레이싱 핸들 베이스 밑면에 있는 폼 패드를 제거하지 마십시오! 폼 패드는 핸들을 부착했을 때 T-DFB 시스템의 효과를 증폭시켜 줍니다.
- 마운팅 디스크의 질감 처리된 고무 부분(26)은 반드시 조종석 선반과 마주보게 위치시켜야 합니다 = 금속 부분을 조종석 선반과 마주보게 두지 않습니다.

테이블이나 책상에 레이싱 핸들 부착하기

1. 레이싱 핸들을 테이블 또는 수평 상태의 평평하고 안정된 표면 위에 놓습니다.
2. 조임 나사 (14) 를 부착 시스템 (13)에 삽입한 후 나사를 시계 반대 방향으로 돌려 기기를 조이면, 레이싱 핸들 아래에 있는 대형 나사 구멍 (12)에 끼워서 삽입할 수 있으며 삽입한 후 핸들이 완전히 고정될 때까지 맞춰줍니다.

항상 준수**절대 금지****경고:**

- 부착 시스템 없이 나사만 조이지 마십시오(경주용 핸들이 손상될 수 있습니다).
- 레이싱 핸들 베이스 밑면에 있는 폼 패드를 제거하지 마십시오! 폼 패드는 핸들을 부착했을 때 T-DFB 시스템의 효과를 증폭시켜 줍니다.

부착/제거	방향
<p>조이기:</p> <p>나사를 시계 반대 방향으로 돌립니다</p>	
<p>풀기:</p> <p>나사를 시계 방향으로 돌립니다</p>	

PS5™ 콘솔 및 PS4™ 콘솔용 레이싱 핸들 설치

1. 페달 세트를 레이싱 핸들 베이스 뒷면에 있는 커넥터 (19)에 연결합니다.
2. T-TURBO 전원 공급 장치 (21) 를 커넥터 (17)에 연결합니다.
3. 전원 공급 케이블 (22)을 T-TURBO 전원 공급 장치에 연결한 후, 케이블을 동일 전압의 전기 콘센트에 연결합니다.
4. 사용 중인 PS5™ 또는 PS4™ 게임에 따라 USB 슬라이딩 스위치 (11)을 “OTHER” 또는 “GT” 위치로 설정합니다.
5. 탈착식 USB 케이블 (23)을 커넥터 (18)과 PS5™ 콘솔 또는 PS4™ 콘솔에 있는 USB 포트에 연결합니다.
6. PS5™ 콘솔 또는 PS4™ 콘솔의 전원이 켜지면, 레이싱 핸들이 자동으로 보정됩니다.
7. 레이싱 핸들에 있는 PS 버튼 (9)를 눌러 PlayStation™Network 의 계정으로 로그인하면 핸들이 작동합니다.

이제 레이싱 준비가 되었습니다!

중요 참고:

- 핸들 작동을 위해 레이싱 핸들에 있는 PS 버튼(9)을 잊지 말고 눌러 주세요.
- 핸들의 USB 케이블을 콘솔에 연결하기 전에 반드시 핸들 베이스에 있는 USB 슬라이딩 스위치 (11)가 올바른 위치(“OTHER” 또는 “GT”)로 설정되어 있는지 항상 확인해야 합니다.
슬라이딩 스위치의 위치를 변경하려면 USB 케이블을 뺀 후, 스위치를 적절한 위치로 설정하고 USB 케이블을 콘솔에 다시 연결합니다.
- PlayStation®5 콘솔, PlayStation®4 콘솔 및 T-GT II 레이싱 핸들과 호환되는 게임 목록은(게임에 따른 USB 슬라이딩 스위치 (11) 위치 설정 정보 포함). [https://support.thrustmaster.com\(Racing Wheels/T-GT II\(레이싱 핸들/T-GT II 섹션\)](https://support.thrustmaster.com/Racing%20Wheels/T-GT%20II(레이싱%20핸들/T-GT%20II%20섹션))에서 제공됩니다. 이 목록은 정기적으로 업데이트됩니다.

USB 슬라이딩 스위치 (11)가 "OTHER" 위치일 때

PS5™ 게임 및 PS4™ 게임 영향(GT 스포츠 제외)

USB 슬라이딩 스위치(11)가 "OTHER(기타)" 위치로 설정된 경우,

* 포스 피드백 시스템은 작동하나, T-DFB 효과 시스템(16)은 작동하지 않습니다.

USB 슬라이딩 스위치 (11)가 "GT" 위치일 때

GT 스포츠(및 기타 향후 GT 게임) 영향

USB 슬라이딩 스위치(11)가 "GT" 위치로 설정된 경우,

* 포스 피드백 시스템 및 T-DFB 효과 시스템(16)이 모두 동시에 작동합니다. GT 스포츠 게임 옵션에서 각 시스템의 전원 레벨을 독립적으로 조정할 수 있습니다.

PC 용 레이싱 핸들 설정

*PC 호환성은 Sony Interactive Entertainment Inc.에 의해 보장됩니다.

자세한 내용은 <http://support.thrustmaster.com> 을 방문하십시오.

레이싱 핸들 및 페달 세트 자동 보정

레이싱 핸들을 전원 콘센트에 연결하고 레이싱 핸들의 USB 커넥터를 콘솔에 연결하면 핸들은 자동으로 자가보정됩니다.

이 과정에서 레이싱 핸들은 왼쪽에서 오른쪽으로 신속하게 회전하여 1080 도 각도를 커버한 후 중앙에서 멈춥니다.



경고:

자가보정 하는 동안 절대 레이싱 핸들을 건드리지 마십시오!
(이 경우 부정확한 보정 및/또는 부상이 발생할 수 있습니다.)

페달 세트 자동 보정

페달 세트가 콘솔에 연결되어 있는 경우 또는 게임 중인 경우에는 페달 세트를 절대로 레이싱 핸들 베이스에 연결하지 (또는 페달 세트를 베이스에서 분리하지) 마십시오(이로 인해 보정이 잘못될 수 있습니다).

레이싱 핸들을 콘솔에 연결하기 전에 반드시 페달 세트를 연결하십시오.

레이싱 핸들의 보정이 완료되고 게임이 시작된 후, 페달을 몇 번 누르면 자동으로 페달이 보정됩니다.



경고:

레이싱 핸들이 자가보정 중이거나 게임을 로딩하는 중에는 절대로 페달을 누르지 마십시오!

(이로 인해 보정이 잘못될 수 있습니다)

레이싱 핸들 및/또는 페달 세트가 올바르게 작동하지 않거나 보정이 잘못된 것으로 생각되는 경우:

콘솔의 전원을 완전히 끄고 레이싱 핸들의 연결을 해제합니다. 그 다음에 모든 케이블(전원 공급 케이블 및 페달 세트 포함)을 다시 연결한 후 콘솔과 게임을 다시 시작합니다.

핸들 베이스용 내부 냉각 시스템

핸들 베이스용 내부 냉각 시스템은

- 핸들에 전원이 들어오면 작동됩니다.
- 내부 온도가 낮은 수준으로 냉각되면 수분 간 비활성화 된 후 꺼집니다.
- 핸들을 사용할 때 다시 켜집니다.

MODE 버튼 및 표시등 (10)

페달 세트 MODE 버튼

가속 페달과 클러치 페달을 전자적으로 교대할 수 있습니다.

교대하려면 MODE 버튼 (10)을 2초 동안 누르기만 하면 됩니다.

레이싱 핸들의 내부 메모리에는 페달이 교대되었는지 여부가 저장됩니다.

가속 페달 및 클러치 페달	MODE 표시등 (10) 색상
정상	적색
교대 시	녹색

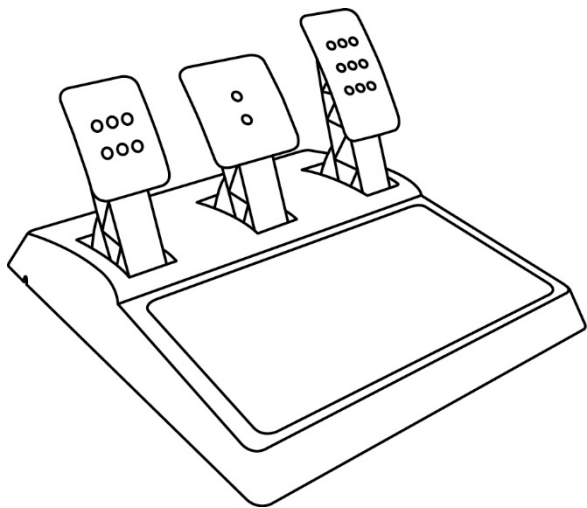
MODE 버튼에 대한 기타 정보

MODE 버튼 및 표시등에 대한 더 자세한 내용은 <https://support.thrustmaster.com> 에서 확인할 수 있습니다. **Racing Wheels/T-GT II(레이싱 핸들/T-GT II)**를 클릭한 후 **Manual(매뉴얼)** 또는 **FAQ**를 선택하십시오.

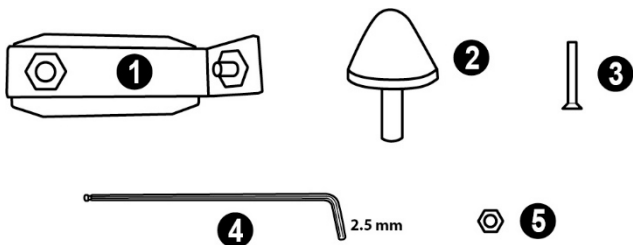
도움말 파일 및 FAQ

<https://support.thrustmaster.com> 을 확인해 주십시오. **Racing Wheels/T-GT II(레이싱 핸들/T-GT II)**를 클릭한 후 **Manual(매뉴얼)** 또는 **FAQ**를 선택하십시오.

T-GT II 에디션 페달 세트



기술적 특징



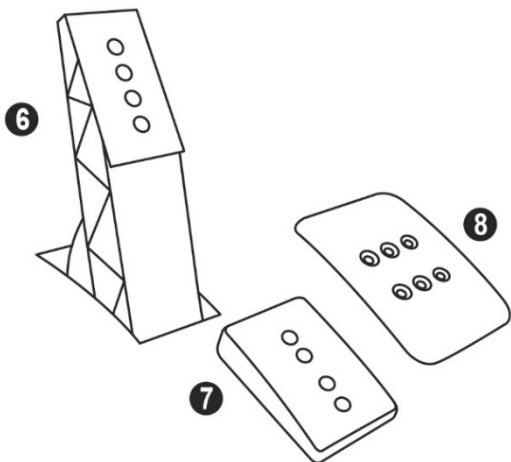
1 원뿔형 정지 장치용 금속 지지대(기본적으로 미설치)

2 원뿔형 정지 장치

3 금속 지지대 부착 나사

4 2.5 mm Allen 키 (제품에 포함)

5 원뿔형 정지 장치용 위치 조정 너트



6 금속 페달 암

7 플라스틱 헤드 지지물

8 금속 페달 헤드

경고

이 제품을 사용하기 전에 이 설명서를 주의 깊게 읽고 나중에 참고할 수 있도록 잘 보관하시기 바랍니다.



안전한 사용을 위해 페달 세트를 절대 맨발 또는 양말만 신은 상태에서 조작하지 마십시오.

THRUSTMASTER®는 신발 없이 페달 세트를 조작함으로써 발생하는 부상에 대해 어떠한 책임도 지지 않습니다.



경고 - 게임 도중 페달 세트에 끼일 위험

- * 페달 세트에 어린이가 접근하지 못하게 하십시오.
- * 게임 중에 절대로 페달 위, 근처 또는 양 옆에 손가락을 놓지 마십시오.
- * 게임 중에 절대로 페달 위, 또는 뒷면 베이스에 손가락을 놓지 마십시오.
- * 게임 중에 절대로 페달 위, 또는 앞면 베이스에 손가락을 놓지 마십시오.

절대 금지



절대 금지



절대 금지



페달 자동 보정



중요:

- 핸들이 PS5™ 콘솔이나 PS4™ 콘솔 또는 PC 에 연결된 경우 또는 게임 세션 도중에는 절대로 핸들 베이스를 페달 세트에 연결하거나 연결 해제하지 마십시오. 그렇지 않으면 보정 문제가 발생할 수 있습니다.
- 핸들을 PS5™ 콘솔이나 PS4™ 콘솔 또는 PC 에 연결하기 전에 항상 페달 세트를 핸들에 연결하십시오.
- 핸들의 자가 보정을 완료한 후 게임을 시작한 후 몇 번 페달을 밟으면 에 페달이 자동으로 보정됩니다.
- 핸들의 자가 보정이 진행 중인 경우 또는 게임을 시작하려고 할 때, 보정 관련 문제를 방지하려면 절대로 페달을 핸들을 돌리거나 페달을 밟지 마십시오.
- 페달이 올바르게 작동하지 않거나 잘못 보정된 것으로 판단되면, 시스템 전원을 끄고 핸들의 연결을 완전히 해제한 후, 모든 케이블(전원 공급 케이블 및 페달 세트 케이블 포함)을 다시 연결한 후 시스템에 전원을 다시 연결하고 게임을 다시 시작하십시오.

페달 세트를 조종석에 부착하기

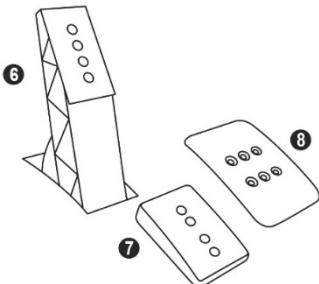
- 페달 세트 밑에 있는 소형 나사 구멍을 이용해서 페달 세트를 부착합니다.
- 조종석 페달 지지 플레이트를 통해 2 개의 M6 나사(제품에 포함되지 않음)를 밀어넣은 후, 페달 세트 밑에 있는 2 개의 소형 나사산 속에 삽입합니다.

중요: 두 개의 M6 나사 길이가 '조종석의 페달 지지판 두께 + 10 mm'를 초과하면 페달 세트에 장착된 내부 부품을 파손시킬 수 있으므로 나사의 길이는 '조종석의 페달 지지판 두께 + 10 mm'를 초과하면 안 됩니다.

페달 세트 조절

세 개의 페달에는 각각 다음 구성품이 포함됩니다:

- 다중 천공이 있는 금속 헤드 (8)(가속 9 개, 브레이크 2 개, 클러치 6 개).
- 4 개의 구멍이 있는 플라스틱 헤드 지지물 (7) 1 개 (헤드와 암 사이에 위치).
- 4 개의 구멍이 있는 금속 페달 암 (6).

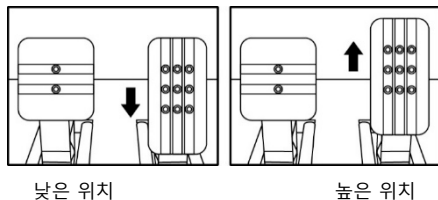


주의: 보정 문제를 예방하려면, 페달 세트를 조정하기 전에 반드시 핸들의 USB 케이블을 PS5™ 콘솔 또는 PS4™ 콘솔에서 분리하십시오.

3 개의 페달 '높이' 조정

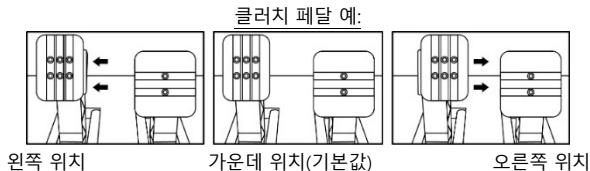
- 제품에 포함된 2.5 mm Allen 키 (4)를 이용해서 메탈 헤드 (8)와 그 지지물 (7)을 제자리에 고정시키는 2 개의 나사를 푸십시오.
- 원하는 위치를 선택한 후 메탈 헤드 (8)와 그 지지물 (7)을 제자리에 고정시킬 수 있도록 나사를 다시 조이십시오.

가속 페달 예:



가속 페달 및 클러치 페달의 '간격' 조정

- 제품에 포함된 2.5 mm Allen 키 (4)를 이용해서 메탈 헤드 (8)와 그 지지물(7)을 제자리에 고정시키는 2 개의 나사를 푸십시오.
- 원하는 (왼쪽, 가운데, 오른쪽으로) 위치를 선택한 후 메탈 헤드 (8)와 그 지지물(7)을 제자리에 고정시킬 수 있도록 나사를 다시 조이십시오.



페달 별 가능한 간격 위치 수:

- 가속 페달용 3 개
- 클러치 페달용 3 개

3 개의 페달 '경사' 조정

- 제품에 포함된 2.5 mm Allen 키 (4)를 이용해서 메탈 헤드 (8)와 그 지지물(7)을 제자리에 고정시키는 2 개의 나사를 푸십시오.
- 플라스틱 헤드 지지물(7)을 180° 돌린 후, 메탈 헤드(8)와 그 지지물(7)을 제자리에 고정시킬 수 있도록 나사를 다시 조이십시오.



덜 경사진 위치 더 경사진 위치(기본값)

페달 별 가능한 경사 위치 수:

- 가속 페달용 2 개
- 브레이크 페달용 2 개
- 클러치 페달용 2 개

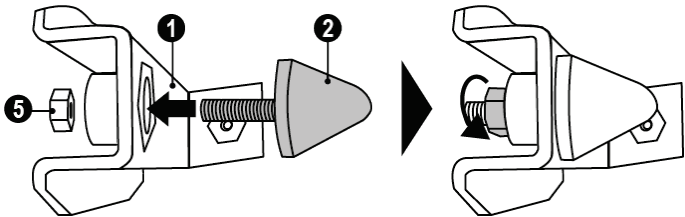
원뿔형 정지 장치 설치(“원뿔형 고무 브레이크” 모드)

이 개조물은 반드시 필요한 것은 아니므로 기본적으로 설치되어 있지 않습니다. 즉 이 개조물이 설치되지 않았어도 브레이크 페달은 완벽하게 기능을 발휘합니다.

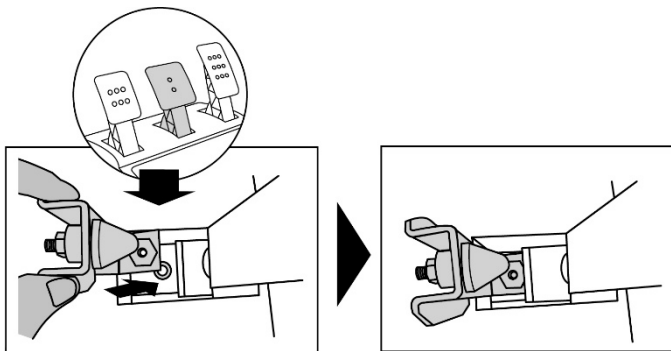
이 개조물은 브레이크 제동 시 다른 느낌과 저항감을 제공합니다.

설치 여부는 사용자의 결정에 따릅니다.

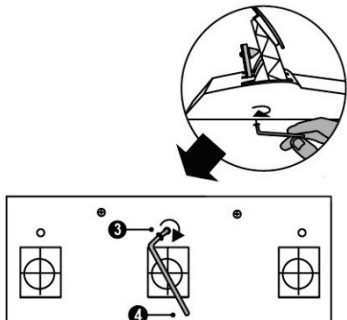
- 원뿔형 정지 장치(2)를 금속 지지대(1)에 끼웁니다.
- 위치 조정 너트(5)를 밑에서 (원뿔형 나사산 위에) 끼웁니다.



- 기기를 브레이크 페달 암의 뒤쪽에 위치시킵니다.



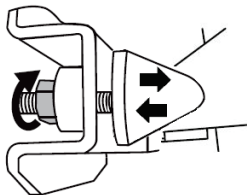
- 제품에 포함된 2.5 mm Allen 키 (4)를 이용해서 기기를 부착 나사(3)와 페달 세트 밑면에 있는 소형 중앙 나사산을 이용해서 기기를 부착합니다.



"원뿔형 고무 브레이크"가 설치되었습니다!

브레이크 페달의 이동 범위 및 저항력 조정

너트(5)를 약간 풀어서 페달 암의 뒤쪽에 가까운 원뿔형 정지 장치(2)를 이동시켜 브레이크 페달의 저항력을 증가시킬 수 있습니다(필요한 경우 14mm 렌치 또는 펀치를 이용해서 너트를 다시 조여서 선택한 위치를 유지합니다). 원뿔형 정지 장치가 페달 암에 가까울수록 저항력이 더 커집니다.



참고: 원뿔형 정지 장치가 브레이크 페달 암의 뒤쪽과 너무 가까우면 최대 보정값에 도달하기 어려울 수 있습니다. 이 경우 다음과 같이 하십시오:

* 프레임에 페달을 매우 강하게 천천히 눌러서 최대값에 도달하게 한 후(필요한 경우 1 초 동안만 매우 짧게 페달 위에 서십시오) 압력을 방출하십시오. 또는

* 원뿔형 정지 장치를 브레이크 페달 암의 뒤쪽에서 약간 더 멀어지도록 이동시킵니다.

COPYRIGHT

©2022 Guillemot Corporation S.A. All rights reserved. Thrustmaster® is a registered trademark of Guillemot Corporation S.A. Manufactured and distributed by Guillemot Corporation S.A. All other trademarks and brand names are hereby acknowledged and are the property of their respective owners. Contents, design, and specifications are subject to changes without notice and may vary from one country to another. Photos and illustration not binding. Designed in North America and Europe, made in China.

For use exclusively with PlayStation®5 consoles and PlayStation®4 consoles.

“PS”, “PlayStation”, “PS5”, and “PS4” are registered trademarks or trademarks of Sony Interactive Entertainment Inc. All rights reserved. All other trademarks are the property of their respective owners. Manufactured and distributed under license from Sony Interactive Entertainment Inc.

Gran Turismo and Gran Turismo logo are registered trademarks or trademarks of Sony Interactive Entertainment Inc.

TouchSense® technology licensed from Immersion Software Ireland Limited. Protected by one or more of the U.S. Patents found at the following address: www.immersion.com/patent-marking.html, and other patents pending.

환경 보호 권장 사항

가까운 수집소에 관한 정보는 지방 당국에 문의하시기 바랍니다.
전기 및 전자 장비에 관한 현재의 재활용 법률을 준수해 주십시오.

이 설명서를 보관하십시오. 색상 및 장식은 달라질 수 있습니다.
플라스틱 고정부품 및 접착제는 제품 사용 전에 제거해야 합니다.

www.thrustmaster.com



R-R-T60-T-GT_II



immersion.