

# LS500 Series

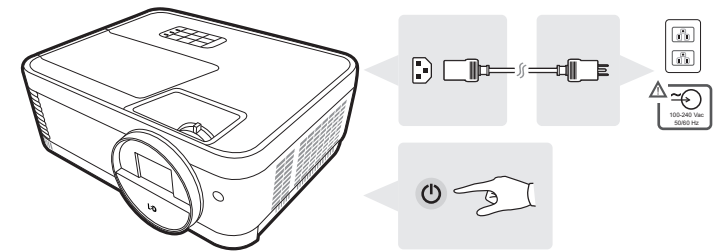
## DLP Projector

**Quick Start Guide**

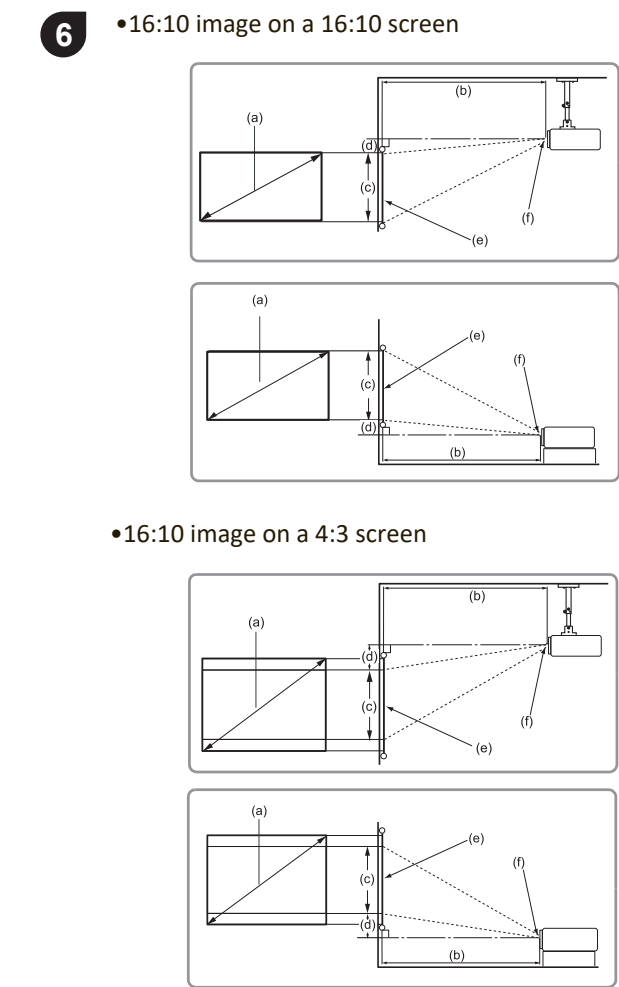
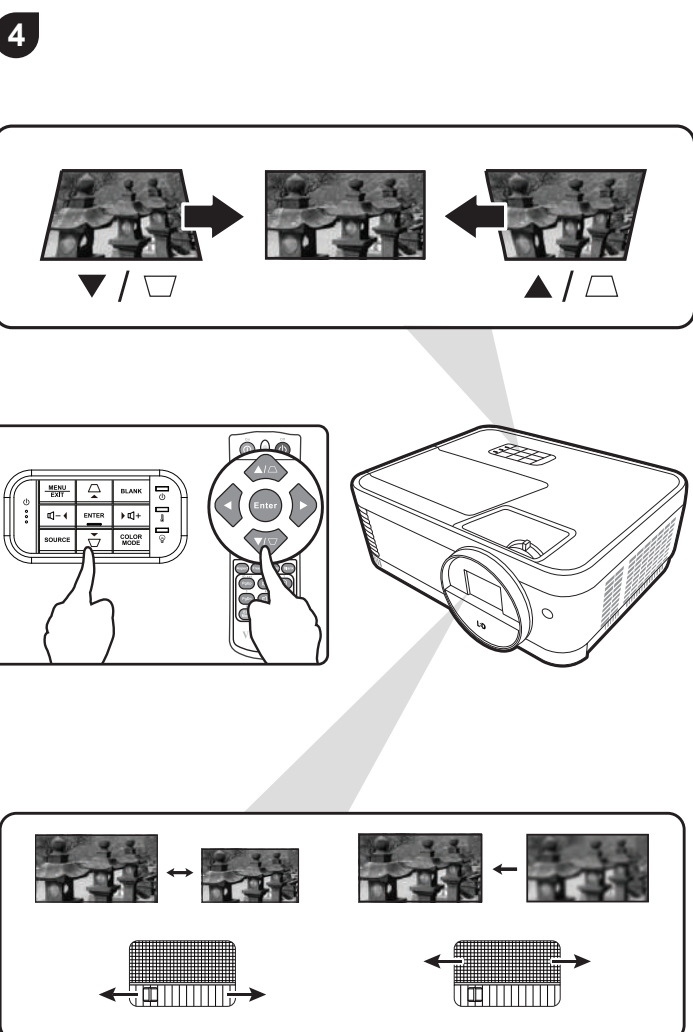
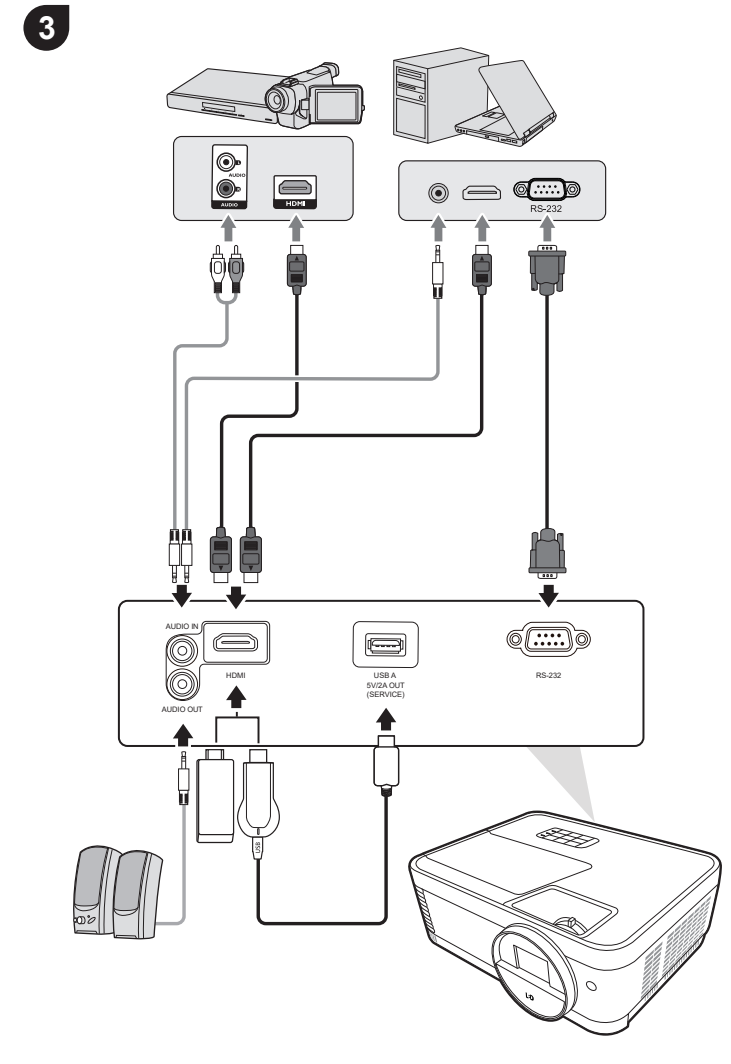
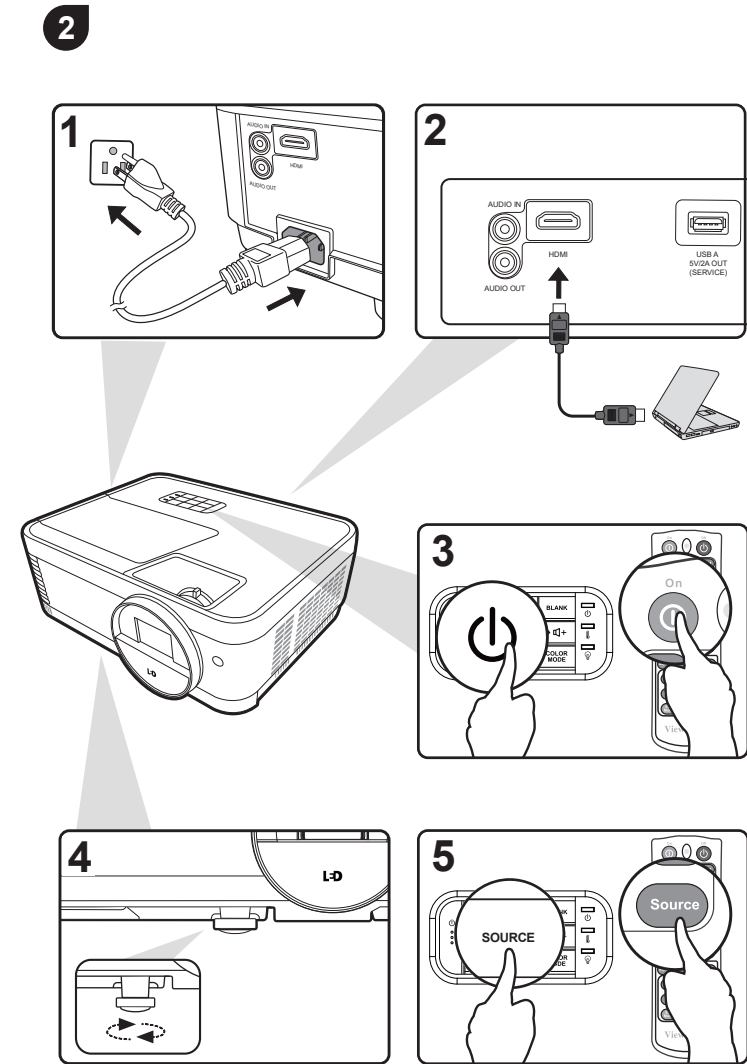
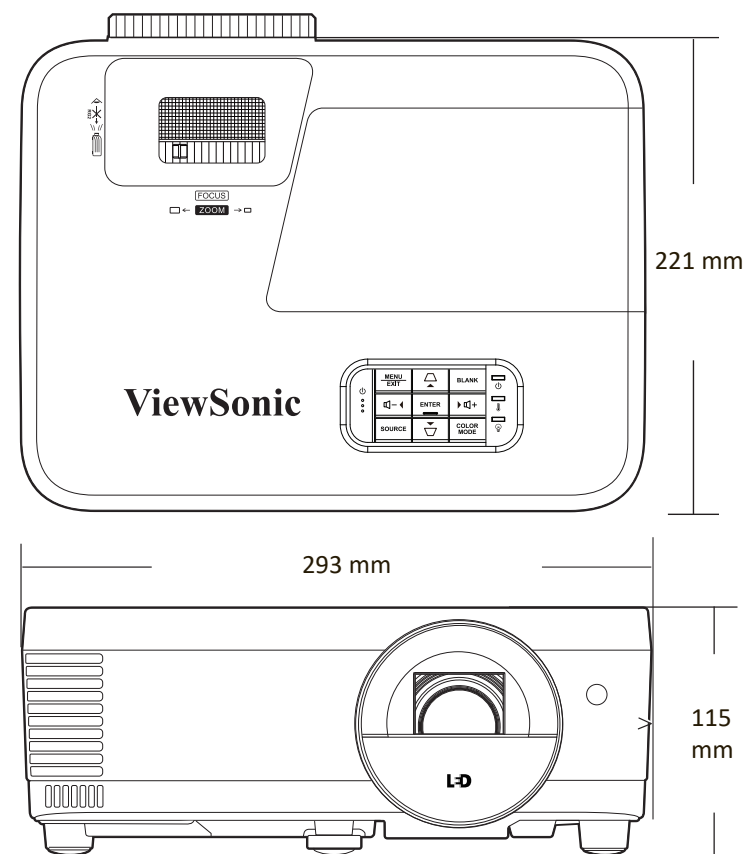
快速安装说明  
快速入门指南  
빠른 시작 가이드  
クイックスタートガイド  
Ръководство за бърз старт  
Vodič za brzo pokretanje  
Úvodní příručka  
Aan de slag  
Pika-aloitusopas  
Guide de démarrage rapide  
Schnellstarthandbuch  
Οδηγός γρήγορης εκκίνησης  
Első lépések  
Guida introduttiva

**Przewodnik Szybki start**

Guia de Inicio Rápido  
Ghid de pornire rapidă  
краткое руководство по началу работы  
Vodič za brzi početak  
Príručka so stručným návodom  
Vodnik za hitri začetek  
Guía de inicio rápido  
Snabbstartsguide  
Hızlı Başlangıç Kılavuzu  
короткий посібник користувача  
Panduan Mulai Cepat  
دليل البدء السريع



**5** Mounting Screw: M4 x 8 (Max. L = 8 mm)  
Unit: mm



(e) = Screen  
(f) = Center of Lens

(a) Screen Size	16:10 Image on a 16:10 Screen										
	(b) Projection distance				(c) Image height		(d) Vertical offset				
	min.		max.		inch		min.		max.		
inch	mm	inch	mm	inch	mm	inch	mm	inch	mm	inch	mm
30	762	39.37	1000	43.31	1100	15.90	404	0.00	0	0.00	0
60	1524	78.74	2000	86.61	2200	31.80	808	0.00	0	0.00	0
70	1778	91.86	2333	101.05	2567	37.10	942	0.00	0	0.00	0
80	2032	104.99	2667	115.49	2933	42.40	1077	0.00	0	0.00	0
90	2286	118.11	3000	129.92	3300	47.70	1212	0.00	0	0.00	0
100	2540	131.23	3333	144.36	3667	53.00	1346	0.00	0	0.00	0
110	2794	144.36	3667	158.79	4033	58.30	1481	0.00	0	0.00	0
120	3048	157.48	4000	173.23	4400	63.60	1615	0.00	0	0.00	0
130	3302	170.60	4333	187.66	4767	68.90	1750	0.00	0	0.00	0
140	3556	183.73	4667	202.10	5133	74.20	1885	0.00	0	0.00	0
150	3810	196.85	5000	216.54	5500	79.50	2019	0.00	0	0.00	0
200	5080	262.47	6667	288.71	7333	106.00	2692	0.00	0	0.00	0
250	6350	328.08	8333	360.89	9167	132.50	3365	0.00	0	0.00	0
300	7620	393.70	10000	433.07	11000	159.00	4039	0.00	0	0.00	0

(a) Screen Size	16:10 Image on a 4:3 Screen										
	(b) Projection distance				(c) Image height		(d) Vertical offset				
	min.		max.		inch		min.		max.		
inch	mm	inch	mm	inch	mm	inch	mm	inch	mm	inch	mm
30	762	37.14	943	40.86	1038	15.00	381	0.00	0	0.00	0
60	1524	74.28	1887	81.71	2075	30.00	762	0.00	0	0.00	0
70	1778	86.66	2201	95.33	2421	35.00	889	0.00	0	0.00	0
80	2032	99.04	2516	108.95	2767	40.00	1016	0.00	0	0.00	0
90	2286	111.42	2830	122.57	3113	45.00	1143	0.00	0	0.00	0
100	2540	123.81	3145	136.19	3459	50.00	1270	0.00	0	0.00	0
110	2794	136.19	3459	149.80	3805	55.00	1397	0.00	0	0.00	0
120	3048	148.57	3774	163.42	4151	60.00	1524	0.00	0	0.00	0
130	3302	160.95	4088	177.04	4497	65.00	1651	0.00	0	0.00	0
140	3556	173.33	4403	190.66	4843	70.00	1778	0.00	0	0.00	0
150	3810	185.71	4717	204.28	5189	75.00	1905	0.00	0	0.00	0
200	5080	247.61	6289	272.37	6918	100.00	2540	0.00	0	0.00	0
250	6350	309.51	7862	340.47	8648	125.00	3175	0.00	0	0.00	0
300	7620	371.42	9434	408.56	10377	150.00	3810	0.00	0	0.00	0

It is recommended that if you intend to permanently install the projector, please physically test the projection size and distance using the actual projector in situ before you permanently install it.



