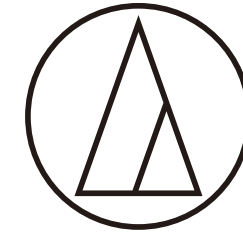


audio-technica



The sound told us, "Show me your limit".

How far can we utilize our experience?

How far can we dive into a new realm?

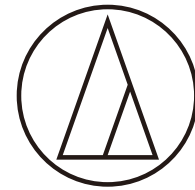
We challenged our own limits and consulted with the sound on numerous occasions to create the ideal open-air headphones.

A breathtakingly detailed depiction of ambiance.

An indescribably realistic reproduction of sound.

Our thoroughly developed technology, knowledge, and passion have created spectacular sound nobody has ever experienced before.

The Audio-Technica ATH-ADX5000 is born.



audio-technica



ATH-ADX5000

Air Dynamic Headphones

Air Dynamic Headphones

ATH-ADX5000

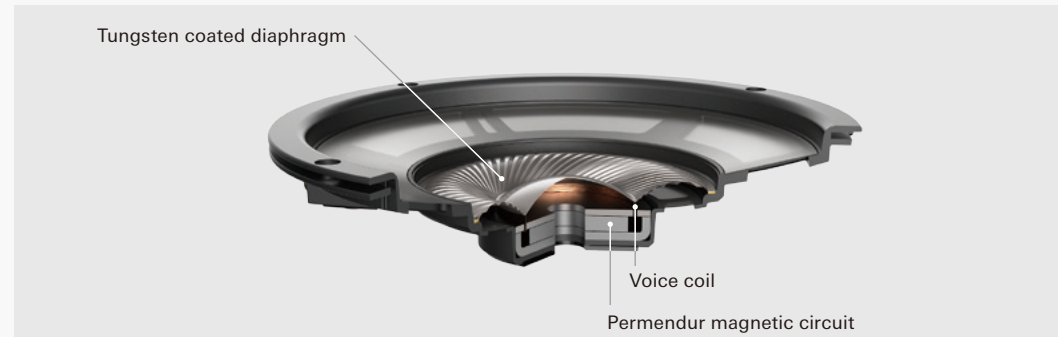


Breathtaking ambiance and indescribable realism.
This top-end model is the ultimate open-air headphone.

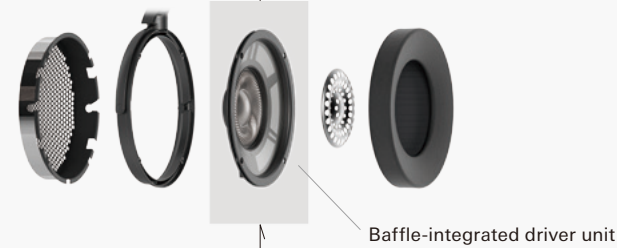
Newly developed Ø58 mm baffle-integrated driver unit

All for the sound. A driver composition which brings out the best of the large aperture.

- Equipped with the Ø58 mm baffle-integrated driver molded from high-strength resin (PPS).
The baffle-integrated driver narrows down the parts structure and minimizes unnecessary sound distortion. The German-made permendur magnetic circuit with high magnetic flux density transmits the sound in its original purity to the super-hard tungsten coated diaphragm which improves the response. The magnet's original energy is transmitted without loss producing an ideal sound close to the sound source.
- Specialized honeycomb punching housing made in Japan.
The special-formed aluminum housing has been newly designed. Expert pressing techniques from Japanese craftsmen maximize the driver's driving force and the diaphragm's linearity.



ATH-ADX5000



Example of existing product

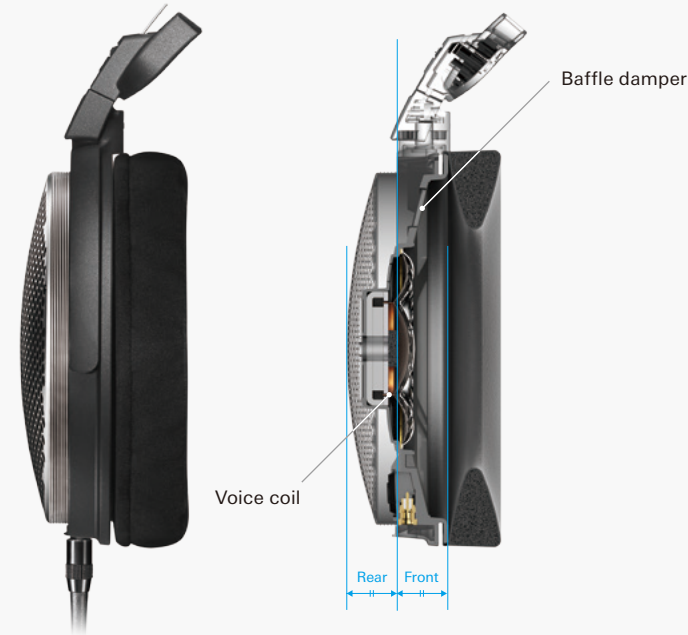


Core Mount Technology developed by Audio-Technica (patent pending)

The new design brings out the best of the newly-developed driver enabling wide-band playback.

The relative positions of the baffle damper and ear pads were revised, and the voice coil was placed in the middle of the acoustic space between the ear and the housing.

This creates clear sound in an extremely natural sound field in regards to the sound source.



Thorough development was carried out for comfort which is key for listening at home for a long time.

- Comfort that gently covers the ears with optimal lateral pressure.
- The ear pads and headband use Alcantara which is an Italian material known for its excellent softness, durability and breathability.
- Thin, lightweight, and strong magnesium frame and arms.
- Ideal acoustic design from the parts structure to the material selection to reduce the weight to 270 g.

The cord, connector and plug bring out the best sound quality, with great attention to details.

- 3.0 m dual-sided, four-core cord with independent ground wires for right and left channels.
- Hybrid conductor composed of 6N-OFC*1 used for high-end audio and OFC.
- A2DC*2 connector for stable signal transmission and reliable connectivity.
- The detachable design takes into consideration the ease of maintenance over long-term use.
- Stainless steel sleeve plug which prevents unnecessary vibration.

*1 6N-OFC : Oxygen-free copper of 99.99997 % purity.

*2 A2DC : Audio Designed Detachable Coaxial



Specifications

Type	Open air dynamic
Driver	58 mm
Sensitivity	100 dB/mW
Frequency response	5 to 50,000 Hz
Maximum input power	1,000 mW
Impedance	420 ohms
Input jack	A2DC connector jack
Plug	6.3 mm gold-plated stereo plug
Weight (without cable)	Approx. 270 g
Included accessories	Detachable cable (3.0 m / 6.3 mm gold-plated stereo plug) Hardshell case
Sold separately	Ear pads HP-ADX5000 Detachable cable

For product improvement, this product is subject to modification without notice.

Included accessories



Hardshell case

The attached hardshell case can safely store the headphones and cable.

Detachable cable (3.0 m / 6.3 mm gold-plated stereo plug)



Sold separately

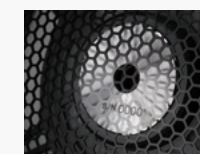
Headphone detachable balanced cable AT-B1XA/3.0



Specifications

Conductor	6N-OFC+OFC
Input plug	XLRM connector (4-pin, L/R independent balance connector)
Output plug	A2DC connector plug
Cable length	3 m (9.8') (Y-type)
Accessory	Pouch

For product improvement, this product is subject to modification without notice.



All units are produced and carefully assembled one by one in Japan.
A serial number is engraved by laser marker inside each body's housing.