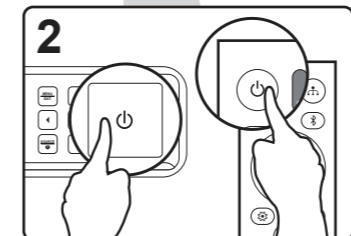
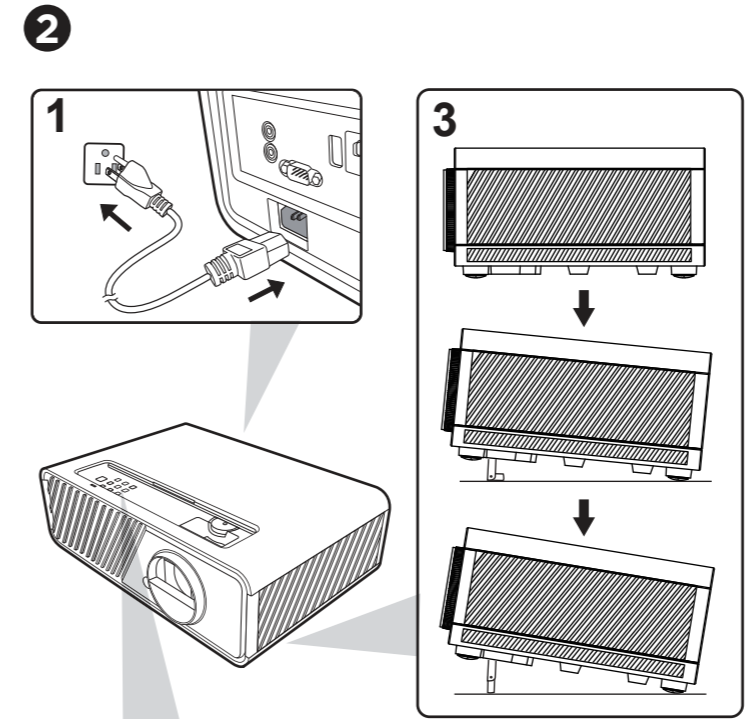
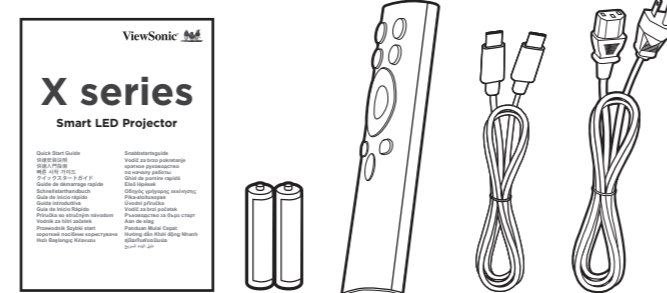
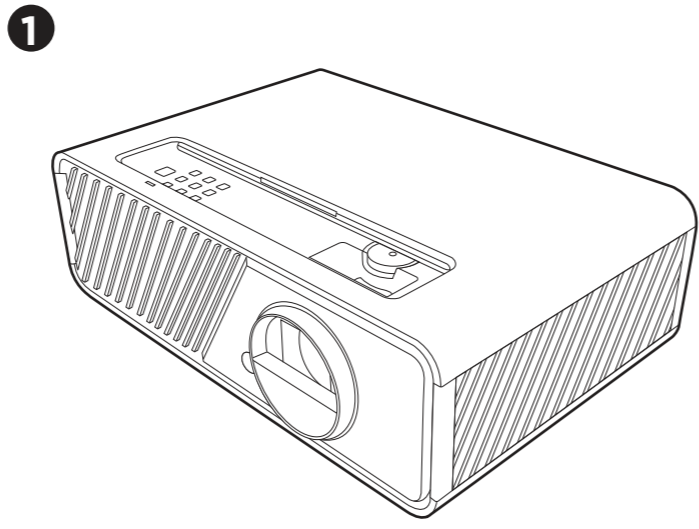


X series

Smart LED Projector

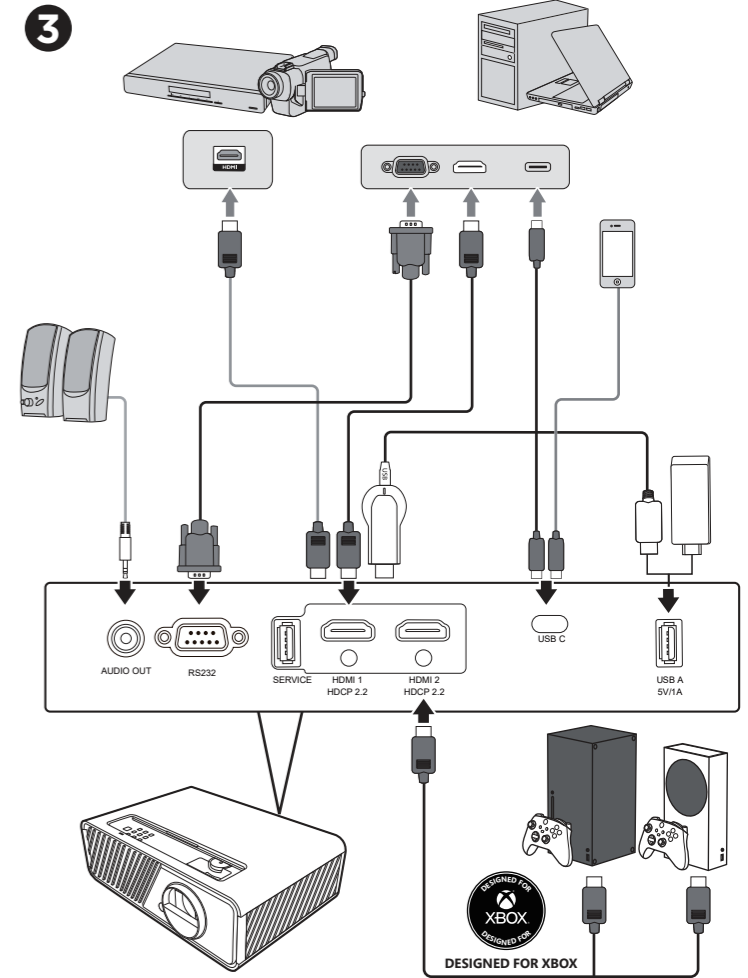
Quick Start Guide
 快速安装说明
 快速入門指南
 빠른 시작 가이드
 クイックスタートガイド
 Guide de démarrage rapide
 Schnellstarthandbuch
 Guía de inicio rápido
 Guida introduttiva
 Guia de Inicio Rápido
 Průručka so stručným návodom
 Vodnik za hitri začetek
 Przewodnik Szybki start
 короткий посібник користувача
 Hızlı Başlangıç Kılavuzu

Snabbstartsguide
 Vodič za brzo pokretanje
 краткоe руководство
 по началу работы
 Ghid de pornire rapidă
 Első lépések
 Οδηγός γρήγορης εκκίνησης
 Pika-aloitusopas
 Úvodní příručka
 Vodič za brzi početak
 Ръководство за бърз старт
 Aan de slag
 Panduan Mulai Cepat
 Hướng dẫn Khởi động Nhanh
 சுவீகரிதல்நிபந்தனை
 دليل البدء السريع

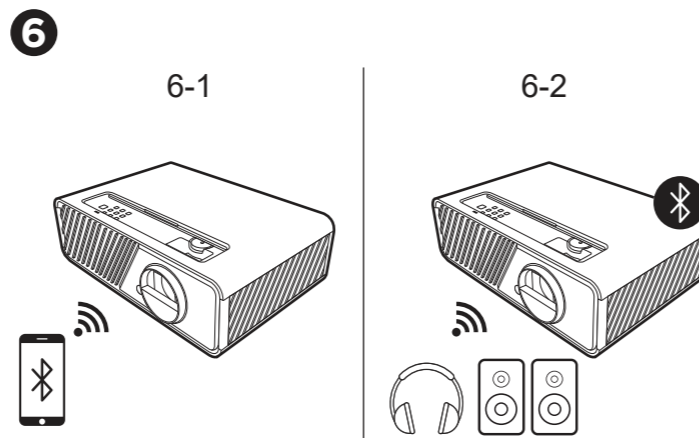
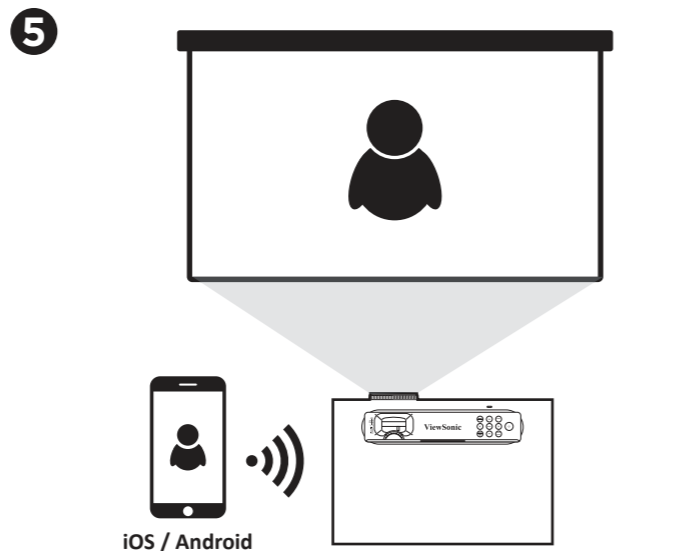
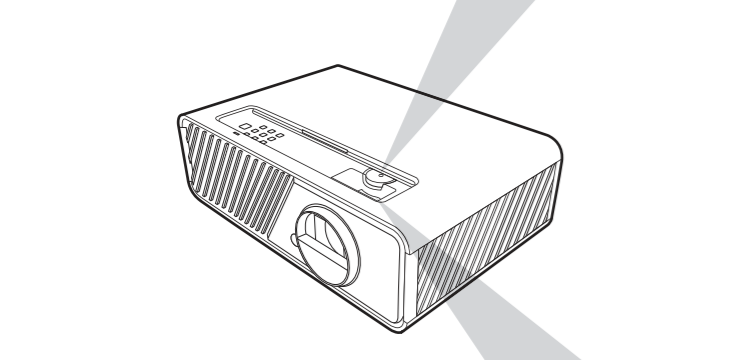
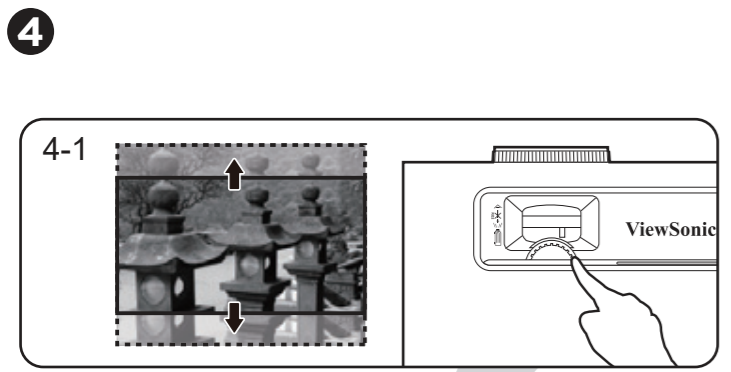


Below table are the reference latency time at different resolutions:

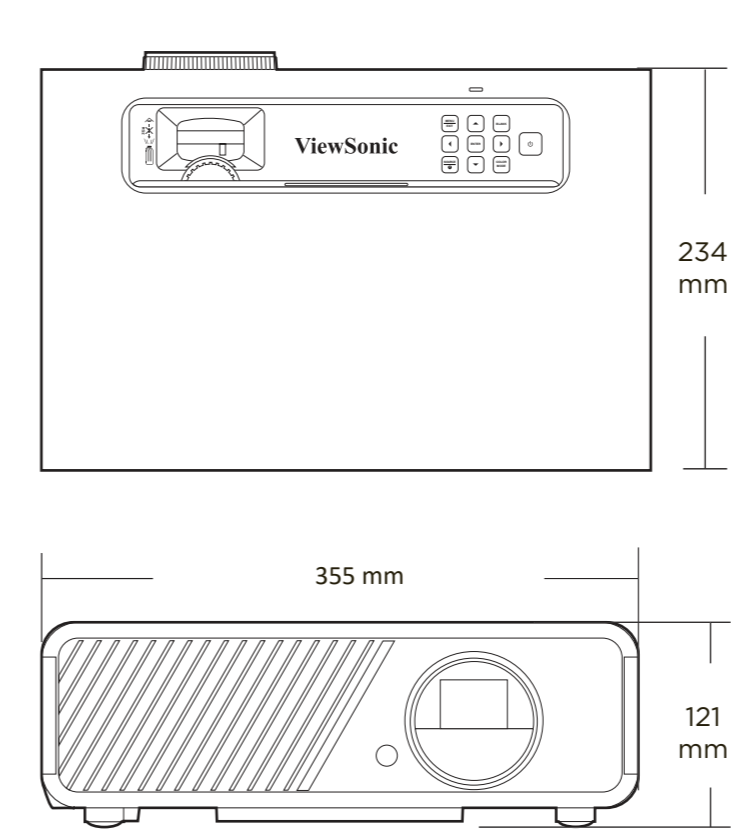
Resolution	Latency Time (ms)	
	Ultra Fast Input: Off	Ultra Fast Input: On
1920x1080@60Hz	33.5 ms	16.8 ms
1920x1080@120Hz	16.8 ms	8.47 ms
1920x1080@240Hz	8.4 ms	4.2 ms
2560x1440@120Hz	16.8 ms	8.47 ms
3840x2160@60Hz	33.4 ms	16.7 ms



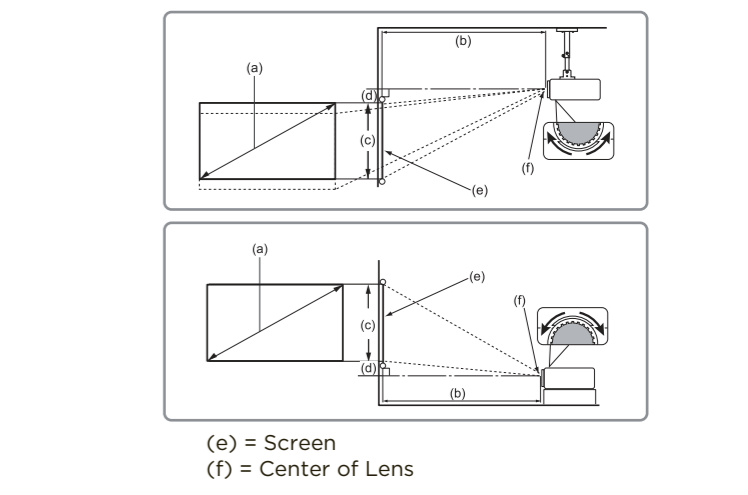
For the lowest possible latency, disable keystone/warp.



7 Mounting Screw: M4 x 8 (Max. L = 8 mm)
Unit: mm



8 •16:9 image on a 16:9 screen



(a) Screen Size	16:9 Image on a 16:9 Screen										
	(b) Projection distance		(c) Image height		(d) Vertical offset						
inch	mm	inch	mm	inch	mm	inch	mm	inch	mm		
60	1524	60	1522	78	1979	29	747	1.5	37	4.4	112
70	1778	70	1776	91	2309	34	872	1.7	44	5.1	131
80	2032	80	2029	104	2638	39	996	2.0	50	5.9	149
90	2286	90	2283	117	2968	44	1121	2.2	56	6.6	168
100	2540	100	2537	130	3298	49	1245	2.5	62	7.4	187
110	2794	110	2791	143	3628	54	1370	2.7	68	8.1	205
120	3048	120	3044	156	3957	59	1494	2.9	75	8.8	224
130	3302	130	3298	169	4287	64	1619	3.2	81	9.6	243
140	3556	140	3552	182	4617	69	1743	3.4	87	10.3	262
150	3810	150	3805	195	4947	74	1868	3.7	93	11.0	280

It is recommended that if you intend to permanently install the projector, please physically test the projection size and distance using the actual projector in situ before you permanently install it.

