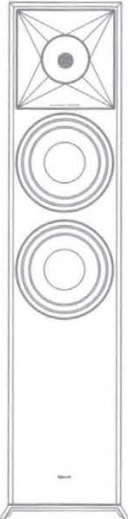
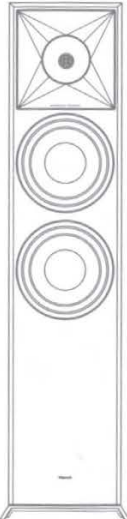




# REFERENCE PREMIERE SPEAKERS



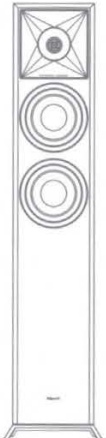
RP-8060FA II



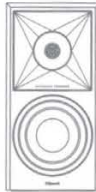
RP-8000F II



RP-6000F II



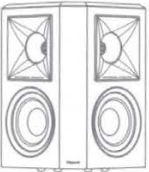
RP-5000F II



RP-600M II



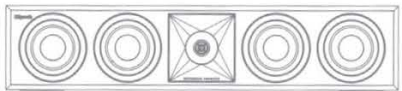
RP-500M II



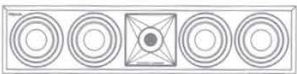
RP-502S II



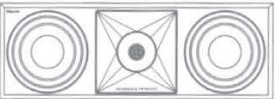
RP-500SA II



RP-504C II



RP-404C II



RP-500C II

## ROOM PLACEMENT

---

**Left and Right Main Channel Speakers** – For optimum performance, Klipsch Group, Inc. (KGI) suggests placing your speakers 6 to 15 feet (1.8 to 4.6m) apart. They may also be toed-in slightly for better stereo imaging. The listening position should be about 1 to 1.5 times the distance separating the speakers. Refer to Figures 1 and 3 for connection and placement.

**Center Channel Speakers** – Center channel speakers are designed to place dialogue and primary sounds so that they appear to come from the video screen. The speakers should therefore be placed as close to the screen as possible, preferably directly on top of or below the screen. Refer to Figures 1, 2 and 3 for connection and placement.

**Rear Surround Channel Speakers** – Klipsch surround speakers should be placed approximately 2 feet above the listening position. Typically this will be about 5-7 feet above the floor. The surrounds should be placed on the walls directly adjacent to the listening position. Another option would be on the wall behind the listening position. The final surround speaker placement depends on your room's characteristics. They are designed to recreate the sense of space and ambience that many of today's surround sound technologies provide. Refer to Figures 1, 3 and 4 for connection and placement.

## CONNECTION

---

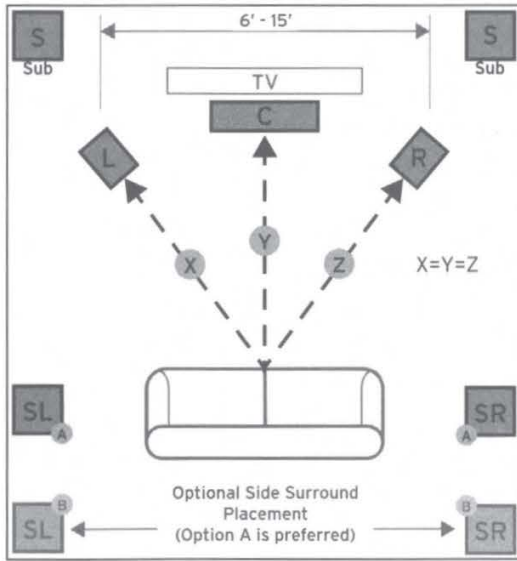
**Conventional Connection** – Using 16-12 gauge speaker wire, connect the RED “positive” (+) terminal of the LEFT speaker to the RED “positive” (+) terminal of your amplifier's LEFT channel. Connect the BLACK “negative” (-) terminal of the LEFT speaker to the BLACK “negative” (-) terminal of your amplifier's LEFT channel.

Repeat the above procedure for connecting all remaining speakers to the appropriate amplifier channels. Refer to Figure 3. Make sure that no bare wires from any of the connections touch any other terminals as this could cause a short and damage your equipment.

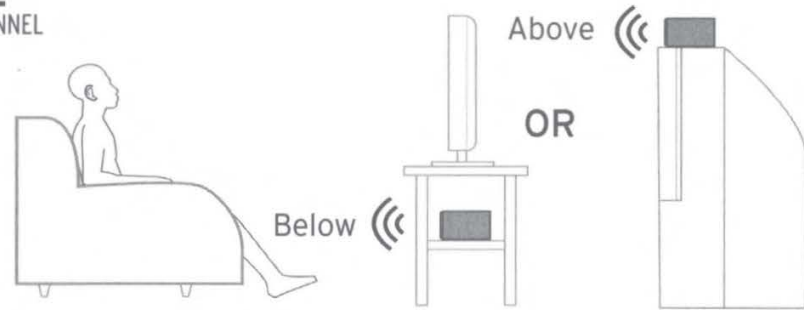
Reference Premiere models RP-8060FA II, RP-8000F II, RP-6000F II, RP-5000F II, and RP-600M II are equipped with dual binding posts. If single wire connection is used, the terminal connecting wire should remain in place. If Bi-wire or Bi-amp connection is used, the terminal connecting wire must be removed. Please see your receiver's manual for further instructions.

**Amplifier Requirements** – Klipsch speakers are highly efficient and will operate easily on a wide variety of amplifiers. All Klipsch speakers are 8-ohm compatible and can be driven to very high levels with low distortion. Due to the high output levels Klipsch speakers are capable of reproducing, exercise caution with the volume control. Excessive volume over long periods can permanently damage your hearing. Overdriving your amplifier could also damage your speakers. Check with your dealer or amplifier manual to make sure your particular amplifier is best suited to your application. We want you listening for a lifetime.

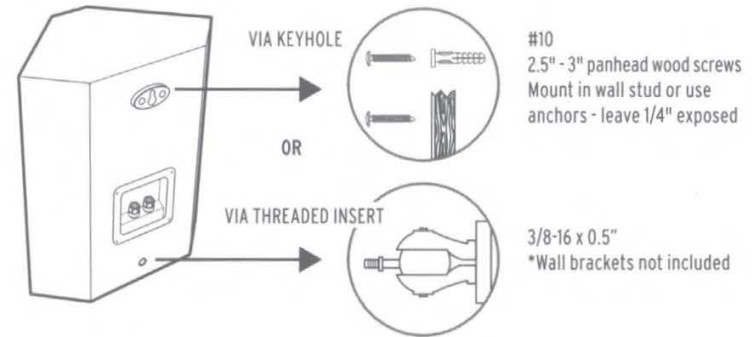
**FIGURE 1**  
SPEAKER PLACEMENT IN LISTENING AREA



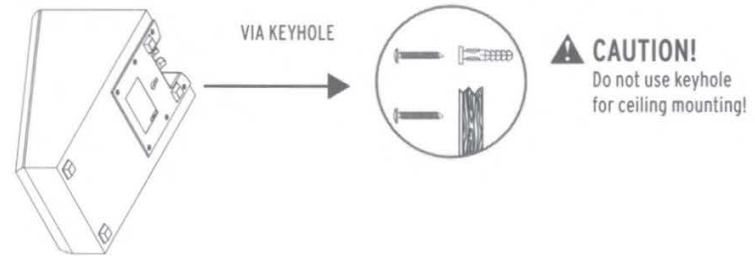
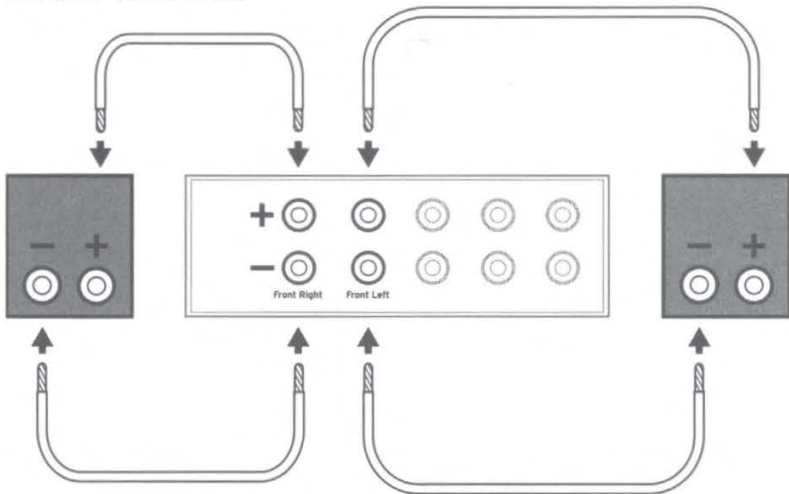
**FIGURE 2**  
CENTER CHANNEL



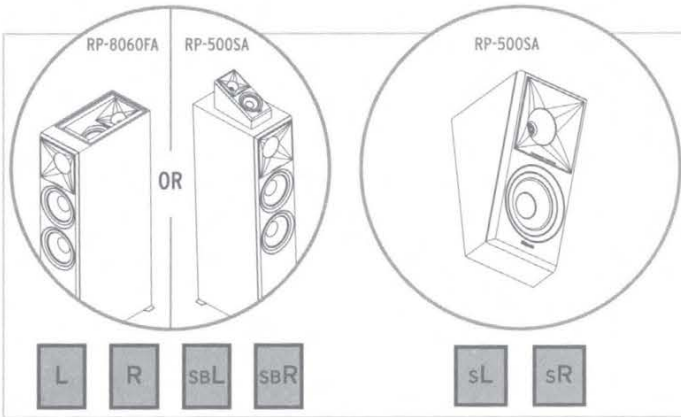
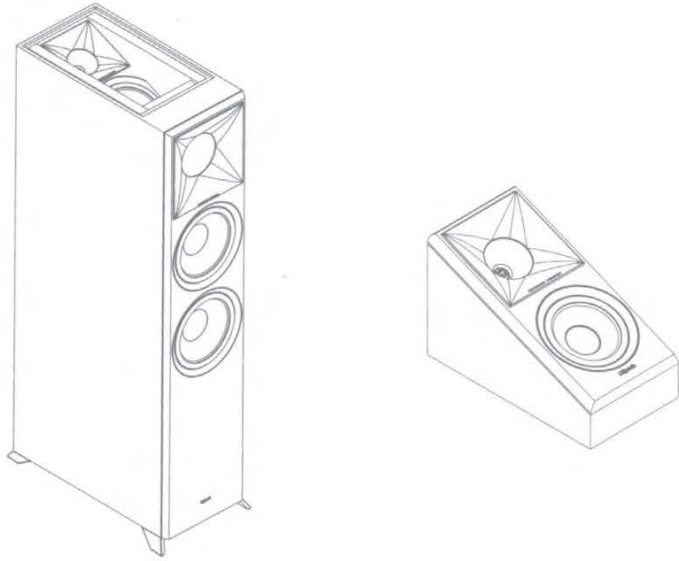
**FIGURE 4**  
WALL MOUNTING



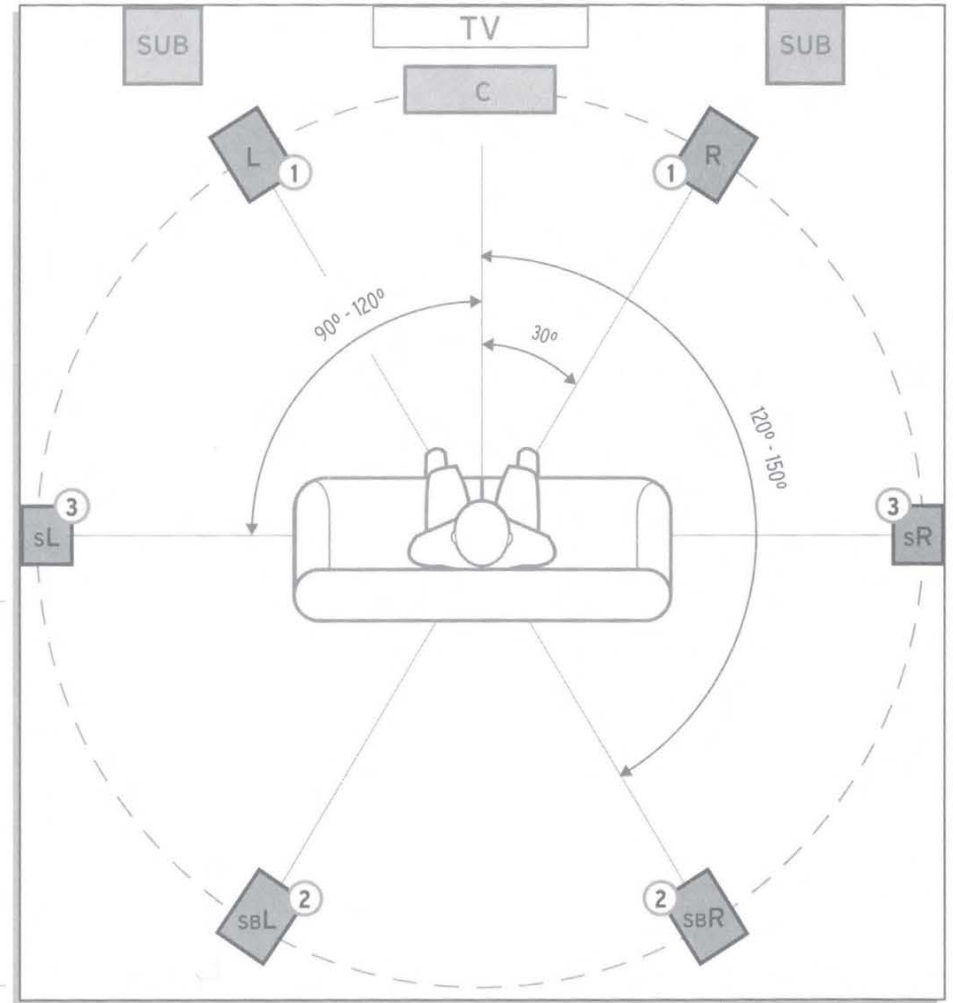
**FIGURE 3**  
STANDARD CONNECTIONS



# REFERENCE WITH DOLBY ATMOS® TECHNOLOGY

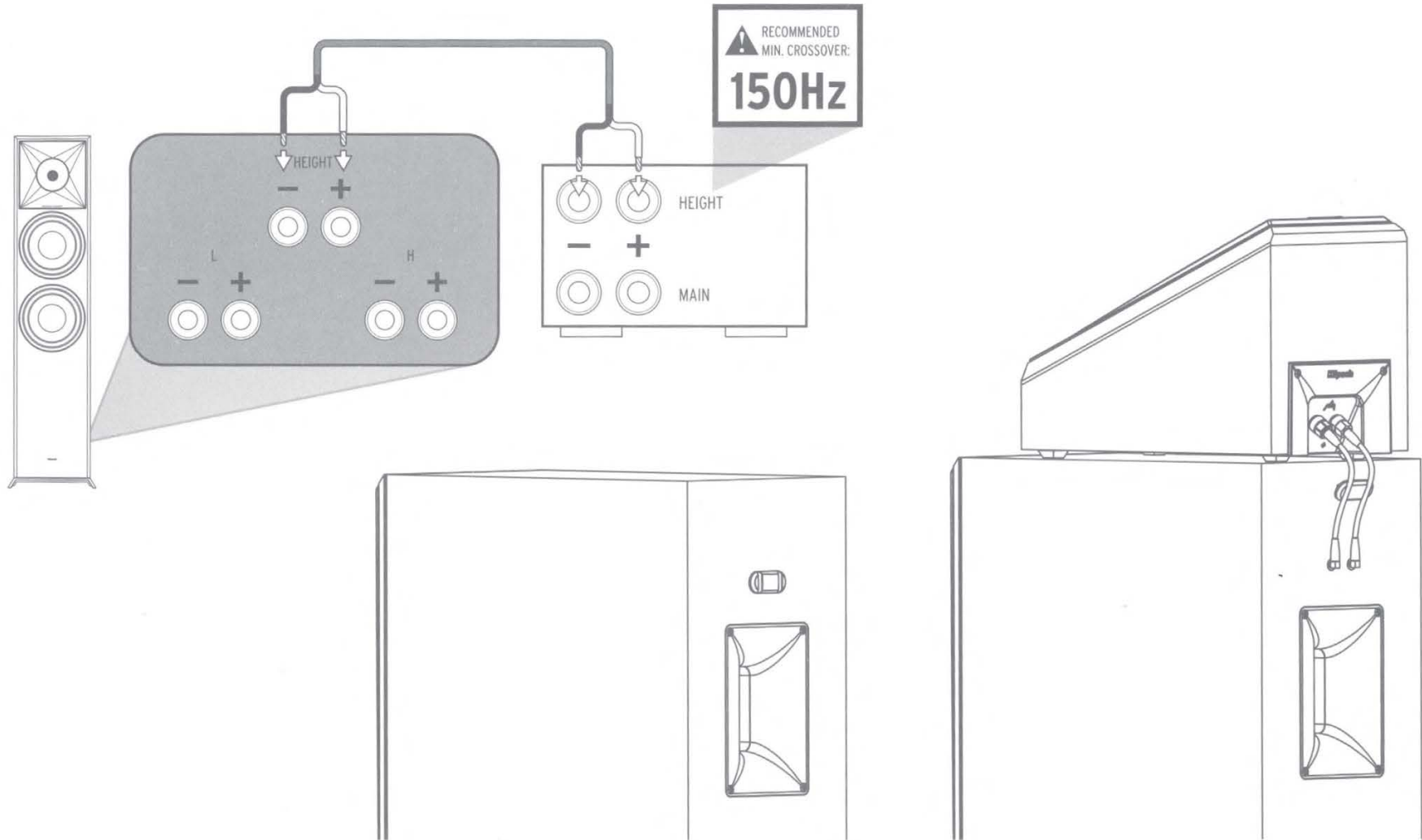


- ① MANDATORY
- ② SECONDARY
- ③ OPTIONAL



SPEAKER PLACEMENT IN LISTENING AREA

# ATMOS ELEVATION CHANNEL CONNECTION



## CARE AND CLEANING

---

The only thing you should ever need to do to your speakers is dust them occasionally. Never apply any abrasive or solvent-based cleaner or any harsh detergent. You can clean the grilles with the brush attachment of a vacuum cleaner.

## PRODUCT REGISTRATION

---

Register your product online at [www.klipsch.com/register](http://www.klipsch.com/register)

- Keep up-to-date on new products and promotions.
- Your personal information will never be resold.
- This registration information is not used for warranty purposes.

**Please retain your receipt for warranty claims.**

# Klipsch<sup>®</sup>

## KEEPERS OF THE SOUND<sup>®</sup>

3502 WOODVIEW TRACE, INDIANAPOLIS, IN, USA

[KLIPSCH.COM](http://KLIPSCH.COM)

 DOLBY ATMOS<sup>®</sup>

Manufactured under license from Dolby Laboratories. Dolby, Dolby Atmos and the double-D symbol are registered trademarks of Dolby Laboratories.

©2021, Klipsch Group, Inc. Klipsch Group, Inc. is a wholly-owned subsidiary of Vox International Corporation.  
Klipsch and Keepers of the Sound are trademarks of Klipsch Group, Inc., registered in the United States and other countries.

V01 - 210909



# **Klipsch**<sup>®</sup>

REFERENCE  
PREMIERE

IMPORTANT SAFETY INSTRUCTIONS

## IMPORTANT SAFETY INSTRUCTIONS!

1. READ these instructions.
2. KEEP these instructions.
3. HEED all warnings.
4. FOLLOW all instructions.
5. DO NOT use this apparatus near water.
6. CLEAN ONLY with dry cloth.
7. DO NOT block any ventilation openings. Install in accordance with the manufacturer's instructions.
8. DO NOT install near any heat sources such as radiators, heat registers, stoves, or other apparatus (including amplifiers) that produce heat.
9. ONLY USE attachments/accessories specified by the manufacturer.
10. USE ONLY with the cart, stand, tripod, bracket, or table specified by the manufacturer, or sold with the apparatus. When a cart is used, use caution when moving the cart/apparatus combination to avoid injury from tip-over. 
11. DO NOT expose this apparatus to dripping or splashing and ensure that no objects filled with liquids, such as vases, are placed on the apparatus.
12. SWITCH OFF amplifier prior to connecting speakers.



The exclamation point, within an equilateral triangle, is intended to alert the user to the presence of important operating and maintenance (servicing) instructions in the literature accompanying the product.



The lightning flash with arrowhead symbol within an equilateral triangle is intended to alert the user to the presence of uninsulated "dangerous voltage" within the product's enclosure that may be of sufficient magnitude to constitute a risk of electrical shock to persons.

**WARNING:** To reduce the risk of fire or electrical shock, do not expose this apparatus to rain or moisture.

**WARNING:** No naked flame sources - such as candles - should be placed on the product.



**WARNING:** Do Not Open! Risk of Electrical Shock. Voltages in this equipment are hazardous to life. No user-serviceable parts inside. Refer all servicing to qualified service personnel.

#### **EU COMPLIANCE INFORMATION**

Eligible to bear the CE mark; Conforms to European Union Low Voltage Directive 2006/95/EC; European Union EMC Directive 2004/108/EC; European Union Restriction of Hazardous Substances Recast (RoHS2) Directive 2011/65/EC; European Union WEEE Directive 2002/96/EC; European Union Registration, Evaluation, Authorization and Restriction of Chemicals (REACH) Directive 2006/121/EC

You may obtain a free copy of the Declaration of Conformity by contacting your dealer, distributor, or Klipsch Group, Inc.'s worldwide headquarters. Contact information can be found here: <http://www.klipsch.com/Contact-Us>

#### **WEEE NOTICE**



Note: This mark applies only to countries within the European Union (EU) and Norway.

This appliance is labeled in accordance with European Directive 2002/96/EC concerning waste of electrical and electronic equipment (WEEE). This label indicates that this product should not be disposed of with household waste. It should be deposited at an appropriate facility to enable recovery and recycling.

**ENGLISH - WARRANTY – U.S.**

Klipsch Group, Inc., (KGI), 3502 Woodview Trace, Suite 200, Indianapolis, Indiana (USA) 46268, warrants to the original retail purchaser that this product will be free from defective materials and workmanship for five (5) years from the date of purchase, subject to the limitations below. This warranty period is not extended if we repair or replace the product. Except as limited below, if this product proves defective in either material or workmanship, KGI, at its option, will (a) repair the product, or (b) replace the product, at no charge for parts or labor. If the product model is no longer available and cannot be repaired effectively or replaced with an identical model, KGI at its sole option may replace the unit with a current model of equal or greater value. In some cases, modification to the mounting surface may be required where a new model is substituted. KGI assumes no responsibility or liability for such modification. To obtain a repair or replacement under the terms of this warranty, you must return the product to the dealer from which it was purchased with your original receipt. If return of the product to the dealer from which it was purchased is impossible, you must contact our warranty service number at 1-800-554-7724 to arrange for return of the product to us or in-field destruction of the product at our option, as well as provision of your original receipt to us. Return, repair, and replacement shipping, liability, and cost is the responsibility of the original retail purchaser.

**Limitations:**

- This limited warranty does not cover failure of the product arising, in whole or in part, from improper installation, storage, transportation, misuse, abuse, accident, neglect, mishandling, unauthorized repair, modification, or wear from ordinary use or environmental deterioration.
- This limited warranty does not cover cosmetic damage, including paint damage, or consequential damage to other components or premises which may result for any reason from the failure of the product.
- This limited warranty is null and void for products not used in accordance with KGI's instructions.
- This limited warranty is null and void for products with altered or missing serial numbers and for products not purchased from Klipsch Group, Inc. or an authorized dealer (See: [www.klipsch.com/dealers](http://www.klipsch.com/dealers)).
- This limited warranty terminates if the original retail purchaser sells or otherwise transfers this product.
- This limited warranty is null and void for defects or damage caused by installation or repair performed by any person or entity other than a Klipsch authorized installer or dealer.

THIS WARRANTY GIVES YOU SPECIFIC LEGAL RIGHTS, AND YOU MAY ALSO HAVE OTHER RIGHTS WHICH VARY FROM STATE TO STATE, JURISDICTION TO JURISDICTION OR COUNTRY TO COUNTRY. ALL EXPRESS AND IMPLIED WARRANTIES FOR THE PRODUCT, INCLUDING BUT NOT LIMITED TO ANY IMPLIED WARRANTIES OF MERCHANTABILITY AND FITNESS FOR A PARTICULAR PURPOSE, ARE LIMITED IN TIME TO THE TERM OF THIS WARRANTY. SOME STATES, JURISDICTIONS OR COUNTRIES DO NOT ALLOW THE EXCLUSION OF CERTAIN IMPLIED WARRANTIES OR CONDITIONS, OR LIMITATIONS ON HOW LONG AN IMPLIED WARRANTY OR CONDITION LASTS, SO THIS LIMITATION MAY NOT APPLY TO YOU. KGI'S RESPONSIBILITY FOR MALFUNCTIONS AND DEFECTS IN HARDWARE IS LIMITED TO REPLACEMENT OR REPAIR AS SET FORTH IN THIS WARRANTY STATEMENT. KGI DOES NOT ACCEPT LIABILITY FOR SPECIAL, PUNITIVE, CONSEQUENTIAL OR INCIDENTAL DAMAGES OR LOSSES, WHETHER DIRECT OR INDIRECT, INCLUDING WITHOUT LIMITATION, ANY LIABILITY FOR THIRD PARTY CLAIMS AGAINST YOU FOR DAMAGES OR LOSSES OR FOR PRODUCTS NOT BEING AVAILABLE FOR USE. THE MAXIMUM LIABILITY FOR WHICH KGI MAY BE RESPONSIBLE WILL BE NO MORE THAN THE AMOUNT YOU PAID FOR THE PRODUCT THAT IS THE SUBJECT OF THE CLAIM. SOME STATES, JURISDICTIONS OR COUNTRIES DO NOT ALLOW THE EXCLUSION OR LIMITATION OF SPECIAL, INDIRECT, INCIDENTAL OR CONSEQUENTIAL DAMAGES, SO THE ABOVE LIMITATION OR EXCLUSION MAY NOT APPLY TO YOU.

**WARRANTY OUTSIDE THE U.S.**

The Warranty on this product shall comply with applicable law when sold to a consumer outside of the United States. To obtain any applicable warranty service, please contact the dealer from which you purchased this product, or the distributor that supplied this product.

**FRENCH - GARANTIE - ÉTATS-UNIS**

Klipsch Group, Inc. 3502 Woodview Trace, Suite 200, Indianapolis, Indiana (USA) 46268, garantit à l'acheteur original que ce produit sera exempt de défauts de matériaux et de fabrication pendant cinq (5) années à compter de la date d'achat, sous réserve des limitations ci-dessous. Cette période de garantie n'est pas prolongée si nous réparons ou remplaçons le produit. Sauf dans la limite ci-dessous, si ce produit s'avère défectueux au niveau des matériaux ou de la main-d'œuvre, KGI, à sa seule discrétion, (a) réparera le produit, ou (b) remplacera le produit, sans frais pour les pièces ou la main-d'œuvre. Si le modèle du produit n'est plus disponible et ne peut être efficacement réparé ou remplacé par un modèle identique, KGI à sa seule discrétion, peut remplacer l'appareil par un modèle courant de valeur égale ou supérieure. Dans certains cas, une modification de la surface d'installation peut être nécessaire lorsqu'un nouveau modèle est substitué. KGI n'assume aucune responsabilité pour une telle modification. Pour obtenir une réparation ou un remplacement aux termes de la présente garantie, vous devez retourner le produit au revendeur auprès duquel il a été acheté avec votre reçu original. Si le retour du produit au détaillant auprès duquel il a été acheté est impossible, vous devez entrer en contact avec notre service de la garantie au 1-800-554-7724 pour prendre les dispositions nécessaires afin de nous retourner le produit ou pour sa destruction sur place, à notre choix, ainsi que de nous remettre votre reçu original. Le retour, la réparation et l'expédition de remplacement, la responsabilité et le coût incombent à l'acheteur au détail original.

**Limitations:**

- Cette garantie limitée ne couvre pas la défaillance du produit découlant, en tout ou partie, d'une installation défectueuse, du stockage, du transport, du mésusage, de l'abus, d'un accident, d'une négligence, d'une mauvaise manipulation, de réparations non autorisées, de modifications ou de l'usure due à l'utilisation ordinaire ou à la détérioration de l'environnement.
- Cette garantie limitée ne couvre pas les dommages esthétiques, notamment les dommages à la peinture, ou les dommages consécutifs à d'autres composants ou locaux qui peuvent résulter, quelle qu'en soit la raison, de la défaillance du produit.
- Cette garantie limitée est nulle et non avenue pour les produits non utilisés conformément aux instructions de KGI.
- Cette garantie limitée est nulle et non avenue pour les produits avec des numéros de série modifiés ou manquants et pour les produits non achetés auprès de Klipsch Group, Inc. ou d'un revendeur autorisé (veuillez consulter [www.klipsch.com/dealers](http://www.klipsch.com/dealers)).
- Cette garantie limitée prend fin si l'acheteur au détail original vend ou transfère ce produit.
- Cette garantie limitée est nulle et non avenue pour les défauts ou dommages provoqués par l'installation ou la réparation effectuée par toute personne ou une entité autre qu'un installateur ou un revendeur agréé par Klipsch.

CETTE GARANTIE VOUS CONFÈRE DES DROITS LÉGAUX SPÉCIFIQUES ET VOUS POUVEZ ÉGALEMENT BÉNÉFICIER D'AUTRES DROITS QUI VARIENT D'UN ÉTAT À L'AUTRE, D'UNE JURISDICTION À L'AUTRE OU D'UN PAYS À L'AUTRE. TOUTES LES GARANTIES EXPRESSES ET IMPLICITES POUR LE PRODUIT, NOTAMMENT LES GARANTIES IMPLICITES DE QUALITÉ MARCHANDE ET D'ADÉQUATION À UN USAGE PARTICULIER, SONT LIMITÉES DANS LE TEMPS À LA DURÉE DE LA PRÉSENTE GARANTIE. CERTAINS ÉTATS, JURISDICTIONS OU PAYS NE PERMETTENT PAS L'EXCLUSION DE CERTAINES GARANTIES OU CONDITIONS IMPLICITES, OU DE LIMITATIONS SUR LA DURÉE D'UNE GARANTIE OU D'UNE CONDITION IMPLICITE, DE SORTÉ QUE CETTE LIMITATION PEUT NE PAS S'APPLIQUER À VOUS. LA RESPONSABILITÉ DE KGI POUR LES DYSFONCTIONNEMENTS ET LES DÉFAUTS DU MATÉRIEL EST LIMITÉE AU REMPLACEMENT OU À LA RÉPARATION TEL QUE STIPULÉ DANS CETTE DÉCLARATION DE GARANTIE. KGI N'ACCEPTÉ AUCUNE RESPONSABILITÉ POUR DES DOMMAGES OU PERTES SPÉCIAUX, PUNITIFS, CONSÉCUTIFS OU ACCIDENTELS, DIRECTS OU INDIRECTS, NOTAMMENT, TOUTE RESPONSABILITÉ POUR DES RÉCLAMATIONS DE TIÈRES PARTIES CONTRE VOUS POUR DES DOMMAGES OU DES PERTES OU POUR DES PRODUITS N'ÉTANT PAS DISPONIBLES À L'UTILISATION. LA RESPONSABILITÉ MAXIMALE POUR LAQUELLE KGI PEUT ÊTRE RESPONSABLE NE SERA PAS SUPÉRIEURE AU MONTANT QUE VOUS AVEZ PAYÉ POUR LE PRODUIT QUI FAIT L'OBJET DE LA RÉCLAMATION. CERTAINS ÉTATS ET PROVINCES NE PERMETTENT PAS D'EXCLUSION DES DOMMAGES ACCESSOIRES OU CORRÉLATIFS, DE SORTÉ QUE LES LIMITATIONS OU EXCLUSIONS CI-DESSUS PEUVENT NE PAS S'APPLIQUER À VOUS.

**GARANTIE EN DEHORS DES ÉTATS-UNIS**

La garantie de ce produit doit être conforme aux lois en vigueur lorsqu'il est vendu à un client en dehors des États-Unis. Pour obtenir un service de garantie applicable, veuillez contacter le revendeur auprès duquel vous avez acheté ce produit ou le distributeur qui a fourni ce produit.