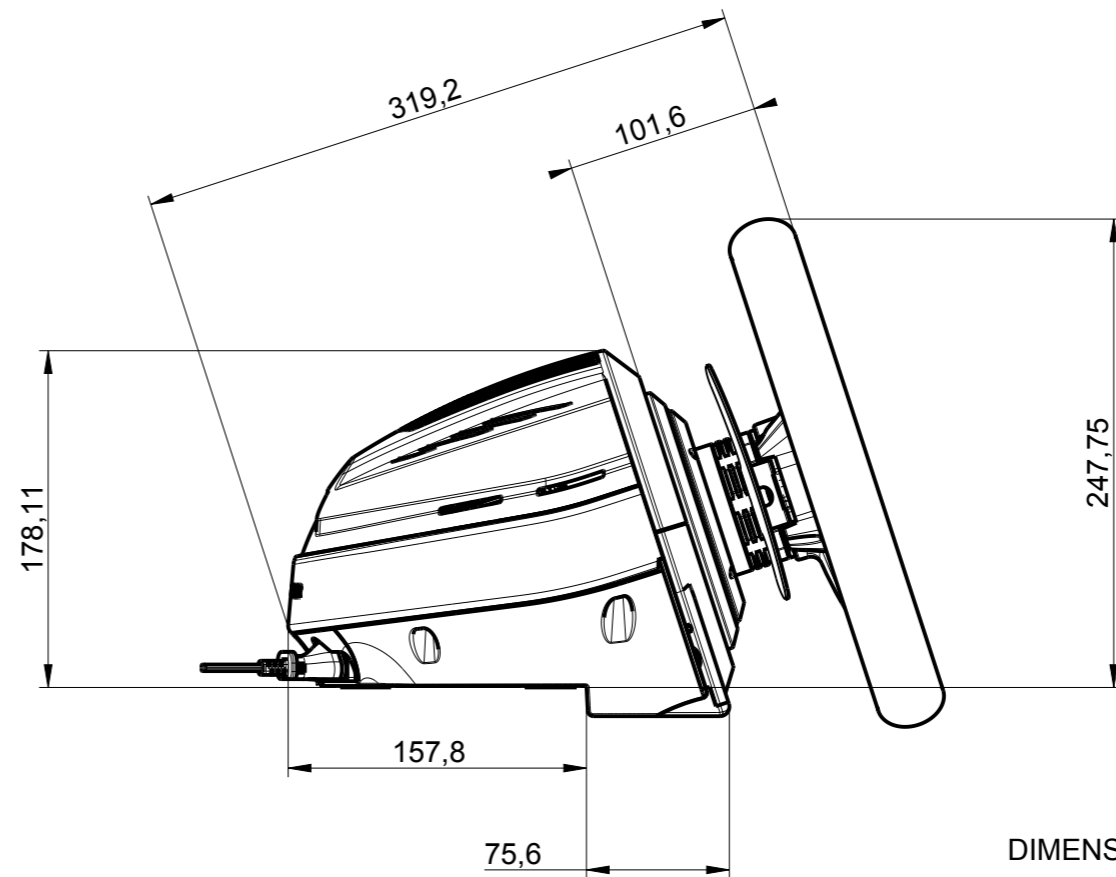
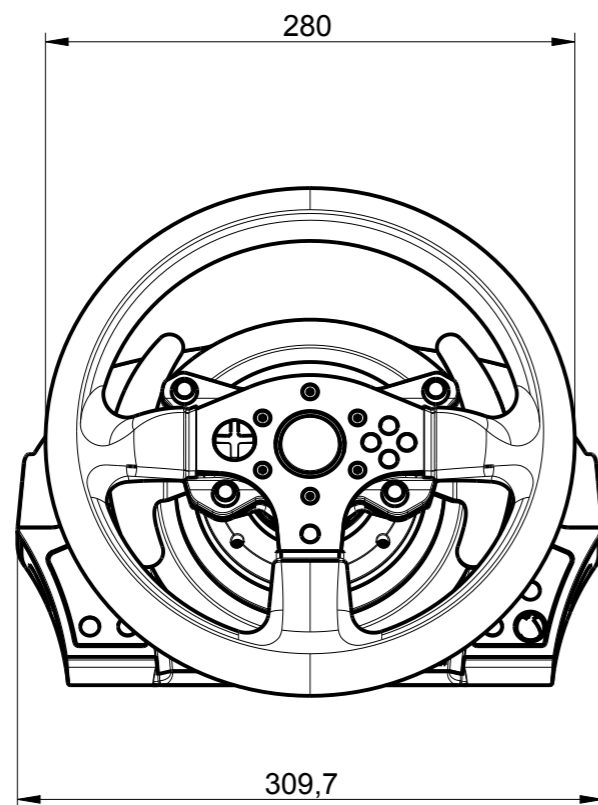
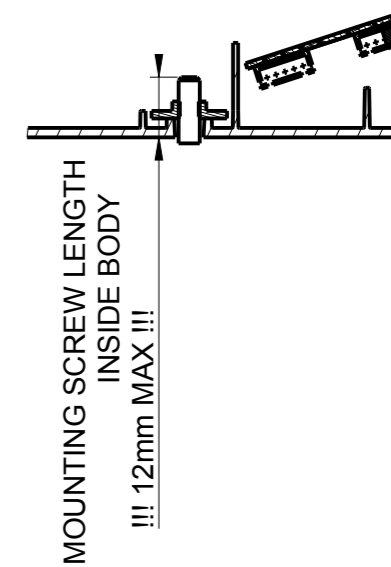
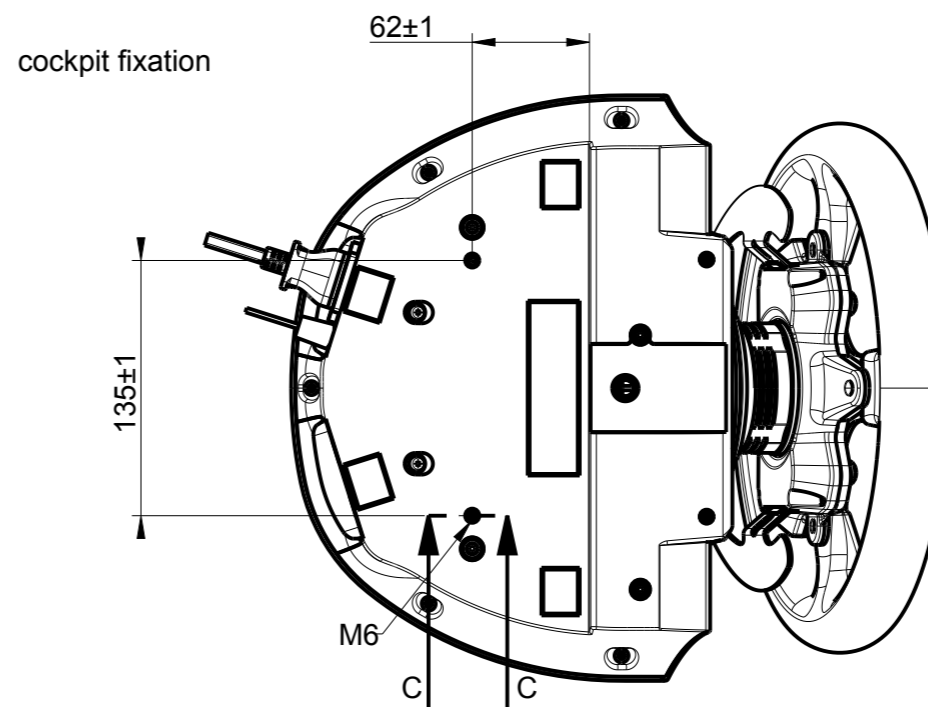
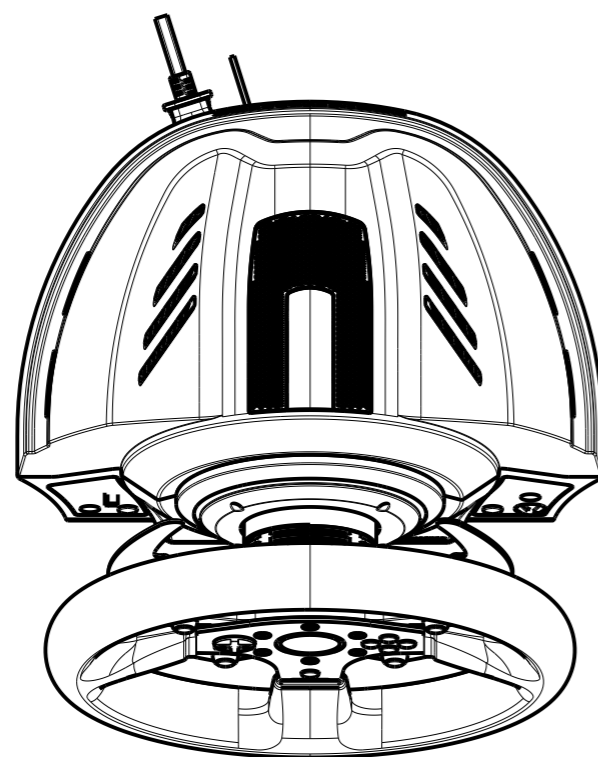


VERSIONS	
A	INITIAL



DIMENSION OF M6 FIXATION SCREW

SECTION C-C
SCALE 1:2



MATERIAL n/a	DRAWN BY pennaneach	DATE 2014-04-12	GUILLEMOT CORPORATION HERCULES THRUSTMASTER	
DIMENSIONAL TOLERANCES UNLESS OTHERWISE SPECIFIED □ MILLIMETERS □ □ ±5mm □ □ □	CHECKED BY	DATE		
FIRST ANGLE PROJECTION 	APPROVALS		DWG NO.	
	MASSE	n/a	T300RS-OUTER-DIM	
	PLAN		SCALE 1:4	SIZE A3
			SHEET 1 OF 2	

SCALE 1:1
(PRINT ON A3 FORMAT)

