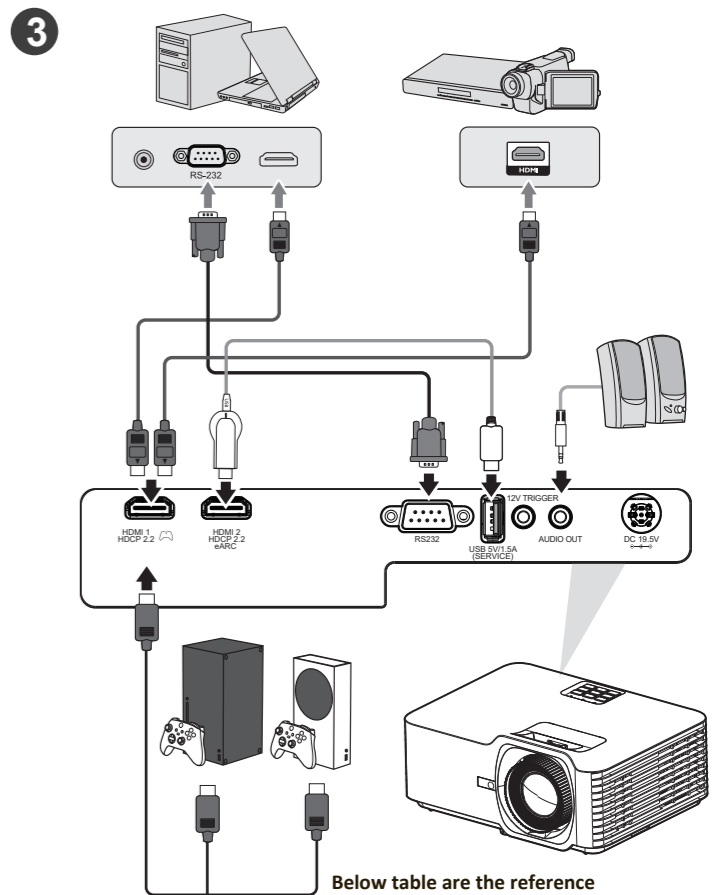
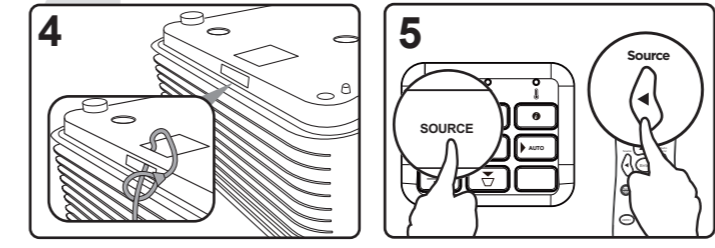
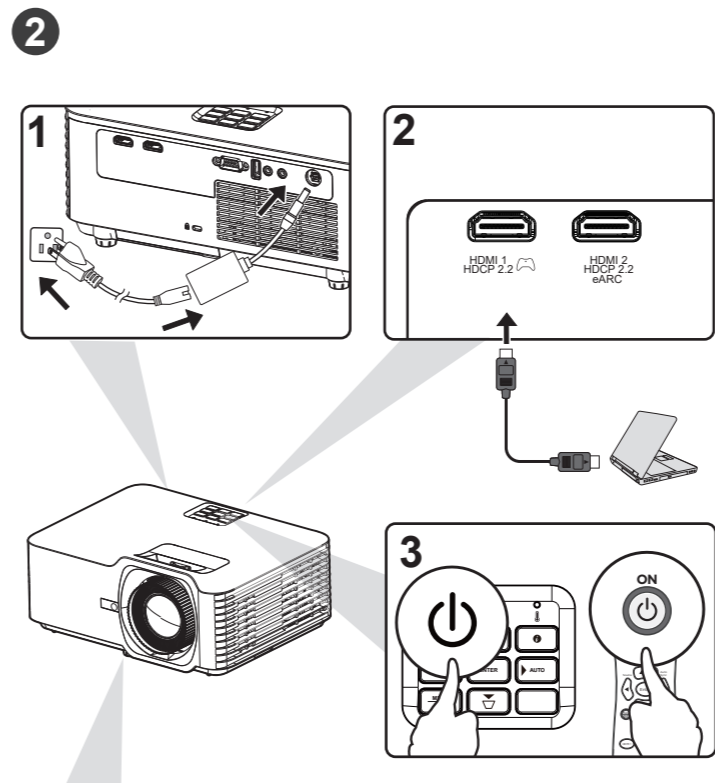
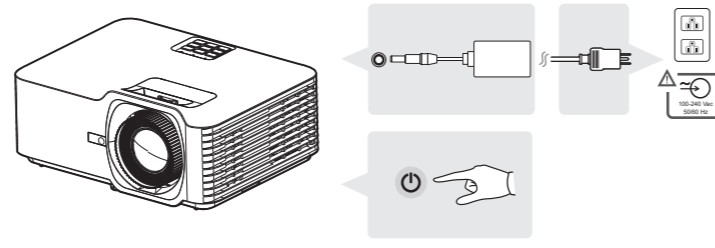
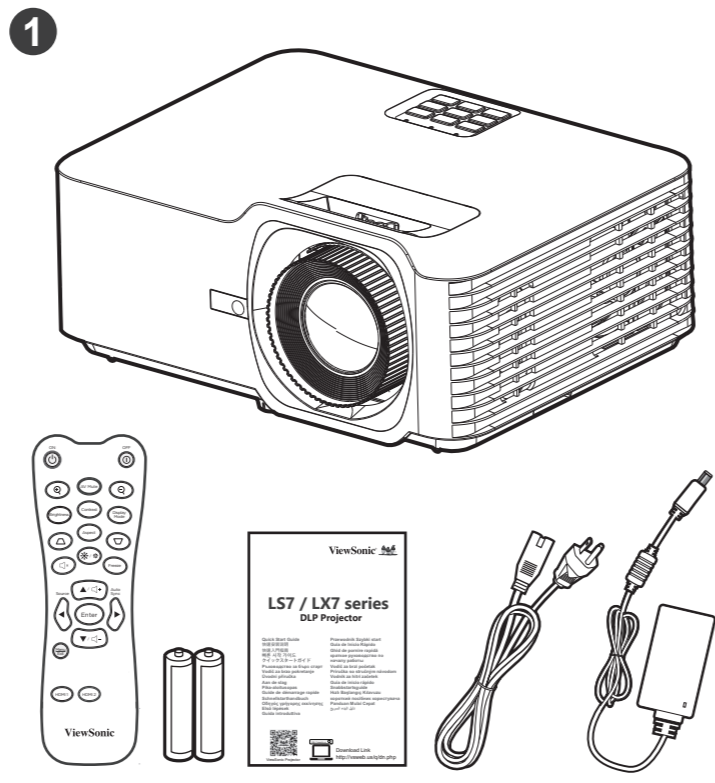


LS7 / LX7 series DLP Projector

Quick Start Guide
快速安装说明
快速入門指南
빠른 시작 가이드
クイックスタートガイド
Ръководство за бърз старт
Vodič za brzo pokretanje
Úvodní příručka
Aan de slag
Pika-aloitusopas
Guide de démarrage rapide
Schnellstarthandbuch
Οδηγός γρήγορης εκκίνησης
Első lépések
Guida introduttiva

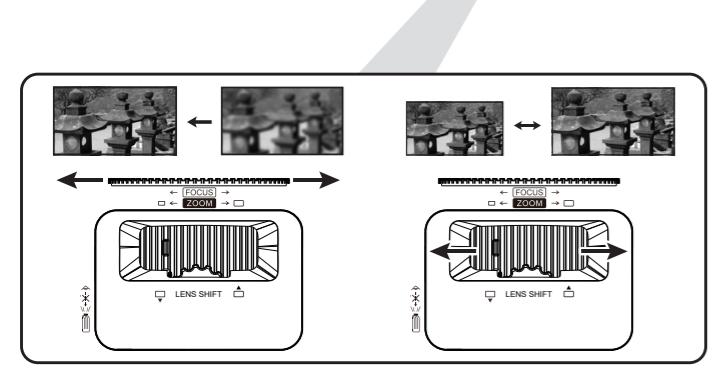
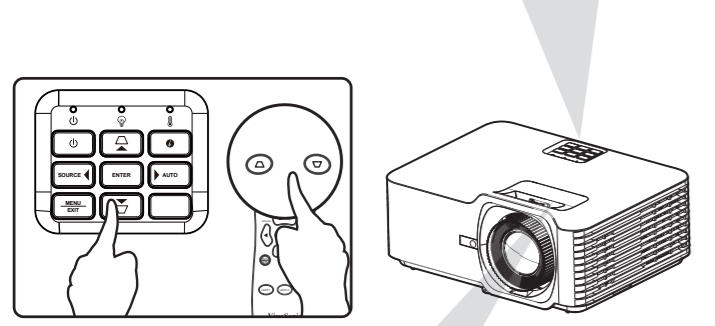
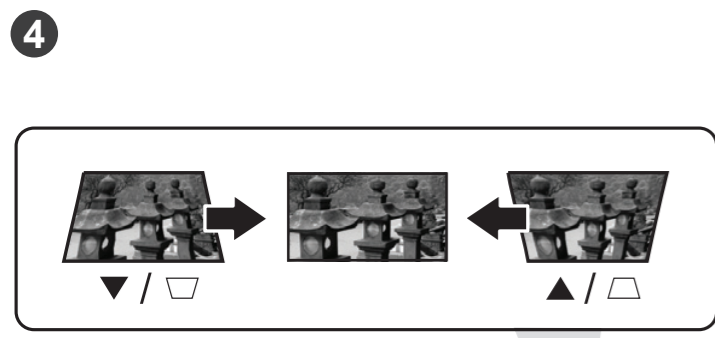
Przewodnik Szybki start
Guia de Inicio Rápido
Ghid de pornire rapidă
краткое руководство по началу работы
Vodič za brzi početak
Priručka so stručným návodom
Vodnik za hitri začetek
Guia de inicio rápido
Snabbstartsguide
Hızlı Başlangıç Kılavuzu
короткий посібник користувача
Panduan Mulai Cepat
دليل البدء السريع



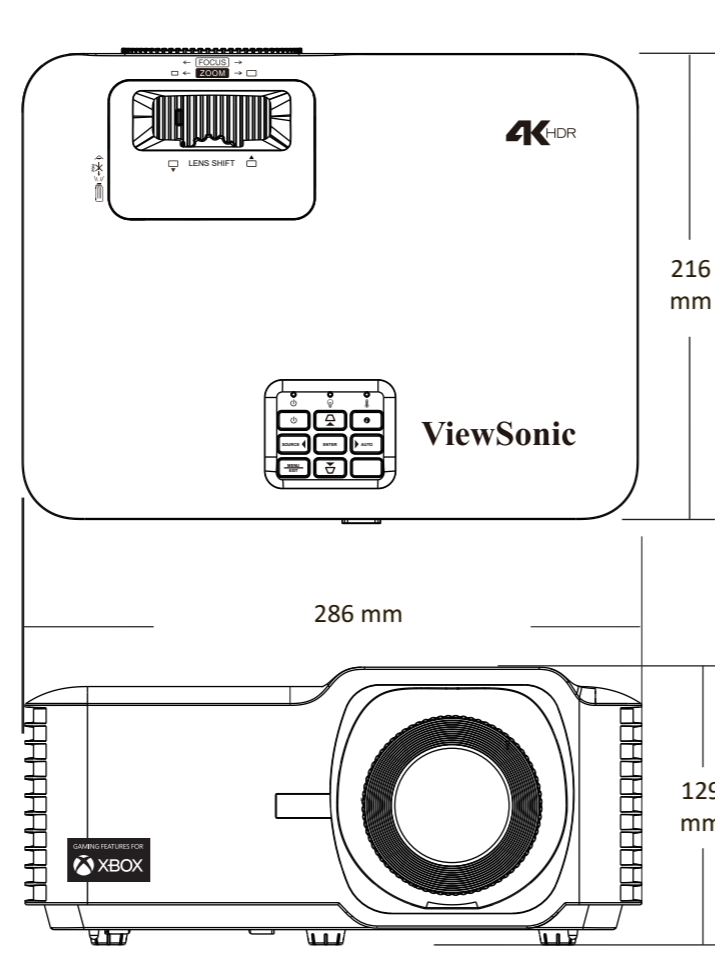
Below table are the reference latency time at different resolutions:

Resolution	Latency Time (ms)	
	Ultra Fast Input: Off	Ultra Fast Input: On
1920x1080@60Hz	33.84 ms	17.23 ms
1920x1080@120Hz	17.13 ms	8.84 ms
1920x1080@240Hz	8.71 ms	4.20 ms
2560x1440@120Hz	17.07 ms	8.67 ms
3840x2160@60Hz	33.81 ms	17.15 ms

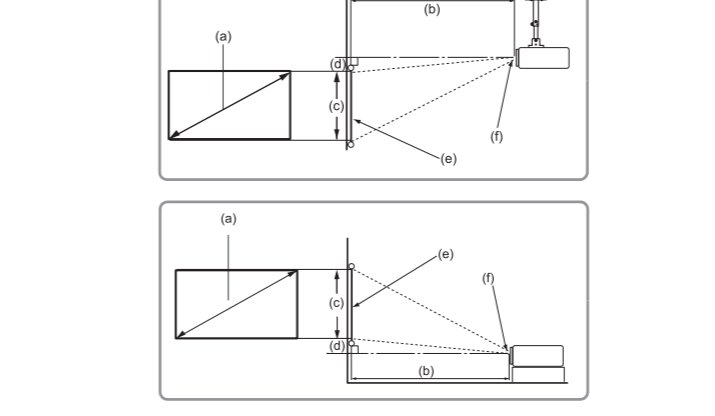
DESIGNED FOR XBOX
For the lowest possible latency, disable keystone/warp.



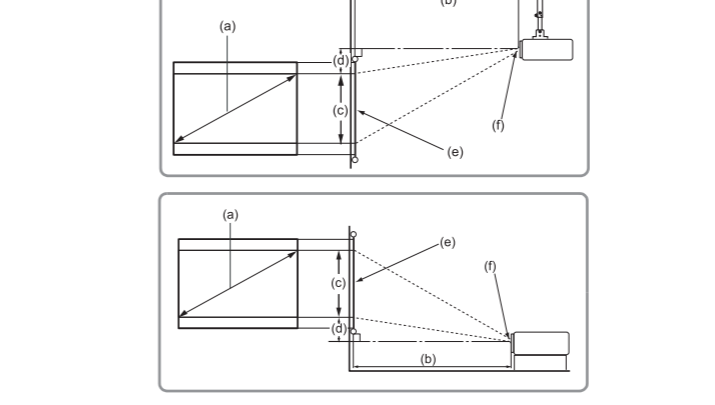
5 Mounting Screw: M4 x 8 (Max. L=8 mm)
Unit: mm



6 •16:9 image on a 16:9 screen



•16:9 image on a 4:3 screen



(e) = Screen
(f) = Center of Lens

(a) Screen Size	16:9 Image on a 16:9 Screen										
	(b) Projection distance				(c) Image height		(d) Vertical offset				
	min.	max.	min.	max.	min.	max.	min.	max.	min.	max.	
30.00	762	27.72	704	37.91	963	14.71	374	0.0	0.0	2.74	69
40.00	1016	36.95	939	50.55	1284	19.61	498	0.0	0.0	3.65	93
50.00	1270	46.19	1173	63.19	1605	24.51	623	0.0	0.0	4.56	116
60.00	1524	55.43	1408	75.83	1926	29.42	747	0.0	0.0	5.47	139
70.00	1778	64.67	1643	88.46	2247	34.32	872	0.0	0.0	6.38	162
80.00	2032	73.91	1877	101.10	2568	39.22	996	0.0	0.0	7.30	185
90.00	2286	83.15	2112	113.74	2889	44.12	1121	0.0	0.0	8.21	208
100.00	2540	92.39	2347	126.38	3210	49.03	1245	0.0	0.0	9.12	232
110.00	2794	101.63	2581	139.02	3531	53.93	1370	0.0	0.0	10.03	255
120.00	3048	110.86	2816	151.65	3852	58.83	1494	0.0	0.0	10.94	278
130.00	3302	120.10	3051	164.29	4173	63.73	1619	0.0	0.0	11.85	301
140.00	3556	129.34	3285	176.93	4494	68.64	1743	0.0	0.0	12.77	324
150.00	3810	138.58	3520	189.57	4815	73.54	1868	0.0	0.0	13.68	347
200.00	5080	184.77	4693	252.76	6420	98.05	2491	0.0	0.0	18.24	463
250.00	6350	230.97	5867	315.95	8025	122.57	3113	0.0	0.0	22.80	579
300.00	7620	277.16	7040	379.14	9630	147.08	3736	0.0	0.0	27.36	695

(a) Screen Size	16:9 Image on a 4:3 Screen										
	(b) Projection distance				(c) Image height		(d) Vertical offset				
	min.	max.	min.	max.	min.	max.	min.	max.	min.	max.	
30.00	762	25.44	646	34.80	884	13.50	343	0.0	0.0	2.51	64
40.00	1016	33.92	862	46.40	1179	18.00	457	0.0	0.0	3.35	85
50.00	1270	42.40	1077	58.00	1473	22.50	572	0.0	0.0	4.19	106
60.00	1524	50.88	1292	69.60	1768	27.00	686	0.0	0.0	5.02	128
70.00	1778	59.36	1508	81.20	2062	31.50	800	0.0	0.0	5.86	149
80.00	2032	67.84	1723	92.80	2357	36.00	914	0.0	0.0	6.70	170
90.00	2286	76.32	1939	104.40	2652	40.50	1029	0.0	0.0	7.53	191
100.00	2540	84.80	2154	116.00	2946	45.00	1143	0.0	0.0	8.37	213
110.00	2794	93.28	2369	127.60	3241	49.50	1257	0.0	0.0	9.21	234
120.00	3048	101.76	2585	139.20	3536	54.00	1372	0.0	0.0	10.04	255
130.00	3302	110.24	2800	150.80	3830	58.50	1486	0.0	0.0	10.88	276
140.00	3556	118.72	3015	162.40	4125	63.00	1600	0.0	0.0	11.72	298
150.00	3810	127.20	3231	174.00	4420	67.50	1715	0.0	0.0	12.56	319
200.00	5080	169.60	4308	232.00	5893	90.00	2286	0.0	0.0	16.74	425
250.00	6350	212.00	5385	290.00	7366	112.50	2858	0.0	0.0	20.93	531
300.00	7620	254.40	6462	348.00	8839	135.00	3429	0.0	0.0	25.11	638

It is recommended that if you intend to permanently install the projector, please physically test the projection size and distance using the actual projector in situ before you permanently install it.

