



*Subwoofer*



# NS-SW300/NS-SW200

---



**OWNER'S MANUAL**

# IMPORTANT SAFETY INSTRUCTIONS

	<b>CAUTION</b> <b>RISK OF ELECTRIC SHOCK</b> <b>DO NOT OPEN</b>	
<p>CAUTION: TO REDUCE THE RISK OF ELECTRIC SHOCK, DO NOT REMOVE COVER (OR BACK). NO USER-SERVICEABLE PARTS INSIDE. REFER SERVICING TO QUALIFIED SERVICE PERSONNEL.</p>		

## • Explanation of Graphical Symbols



The lightning flash with arrowhead symbol, within an equilateral triangle, is intended to alert you to the presence of uninsulated “dangerous voltage” within the product’s enclosure that may be of sufficient magnitude to constitute a risk of electric shock to persons.



The exclamation point within an equilateral triangle is intended to alert you to the presence of important operating and maintenance (servicing) instructions in the literature accompanying the appliance.

## IMPORTANT

Please record the serial number of this system in the space below.

Model:

Serial No.:

The serial number is located on the rear of the main unit. Retain this Owner’s Manual in a safe place for future reference.

1. Read these instructions.
2. Keep these instructions.
3. Heed all warnings.
4. Follow all instructions.
5. Do not use this apparatus near water.
6. Clean only with dry cloth.
7. Do not block any ventilation openings. Install in accordance with the manufacturer’s instructions.
8. Do not install near any heat sources such as radiators, heat registers, stoves, or other apparatus (including amplifiers) that produce heat.
9. Do not defeat the safety purpose of the polarized or grounding-type plug. A polarized plug has two blades with one wider than the other. A grounding type plug has two blades and a third grounding prong. The wide blade or the third prong are provided for your safety. If the provided plug does not fit into your outlet, consult an electrician for replacement of the obsolete outlet.
10. Protect the power cord from being walked on or pinched particularly at plugs, convenience receptacles, and the point where they exit from the apparatus.
11. Only use attachments/accessories specified by the manufacturer.
12. Use only with the cart, stand, tripod, bracket, or table specified by the manufacturer, or sold with the apparatus. When a cart is used, use caution when moving the cart/apparatus combination to avoid injury from tip-over.
13. Unplug this apparatus during lightning storms or when unused for long periods of time.
14. Refer all servicing to qualified service personnel. Servicing is required when the apparatus has been damaged in any way, such as power-supply cord or plug is damaged, liquid has been spilled or objects have fallen into the apparatus, the apparatus has been exposed to rain or moisture, does not operate normally, or has been dropped.



## FCC INFORMATION (for US customers)

### 1 **IMPORTANT NOTICE : DO NOT MODIFY THIS UNIT!**

This product, when installed as indicated in the instructions contained in this manual, meets FCC requirements. Modifications not expressly approved by Yamaha may void your authority, granted by the FCC, to use the product.

### 2 **IMPORTANT :** When connecting this product to accessories and/or another product use only high quality shielded cables. Cable/s supplied with this product **MUST** be used. Follow all installation instructions. Failure to follow instructions could void your FCC authorization to use this product in the USA.

### 3 **NOTE :** This product has been tested and found to comply with the requirements listed in FCC Regulations, Part 15 for Class "B" digital devices. Compliance with these requirements provides a reasonable level of assurance that your use of this product in a residential environment will not result in harmful interference with other electronic devices. This equipment generates/uses radio frequencies and, if not installed and used according to the instructions found in the users manual, may cause interference harmful to the operation of other electronic devices.

Compliance with FCC regulations does not guarantee that interference will not occur in all installations. If this product is found to be the source of interference, which can be determined by turning the unit "OFF" and "ON", please try to eliminate the problem by using one of the following measures: Relocate either this product or the device that is being affected by the interference.

Utilize power outlets that are on different branch (circuit breaker or fuse) circuits or install AC line filter/s.

In the case of radio or TV interference, relocate/reorient the antenna. If the antenna lead-in is 300 ohm ribbon lead, change the lead-in to coaxial type cable.

If these corrective measures do not produce satisfactory results, please contact the local retailer authorized to distribute this type of product. If you can not locate the appropriate retailer, please contact Yamaha Corporation of America A/V Division, 6600 Orangethorpe Avenue, Buena Park, CA 90620, USA.

The above statements apply **ONLY** to those products distributed by Yamaha Corporation of America or its subsidiaries.

## We Want You Listening For A Lifetime



Yamaha and the Electronic Industries Association's Consumer Electronics Group want you to get the most out of your equipment by playing it at a safe level. One that lets the sound come through loud and clear without annoying blaring or distortion – and, most importantly, without affecting your sensitive hearing.

Since hearing damage from loud sounds is often undetectable until it is too late, Yamaha and the Electronic Industries Association's Consumer Electronics Group recommend you to avoid prolonged exposure from excessive volume levels.

### FCC CAUTION

Change or modifications not expressly approved by the party responsible for compliance could void the user's authority to operate the equipment.

### FOR CANADIAN CUSTOMERS

To prevent electric shock, match wide blade of plug to wide slot and fully insert.

CAN ICES-3(B)/NMB-3(B)

Thank you for selecting this Yamaha product.

## CAUTION: Read this before operating your unit

Please read the following operating precautions before use. Yamaha will not be held responsible for any damage and/or injury caused by not following the cautions below.

- To assure the finest performance, please read this manual carefully. Keep it in a safe place for future reference.
- Install this unit in a cool, dry, clean place - away from windows, heat sources, sources of excessive vibration, dust, moisture and cold. Avoid sources of humming (transformers, motors). To prevent fire or electrical shock, do not expose this unit to rain or water.
- The voltage to be used must be the same as that specified on the rear panel. Using this unit with a higher voltage than specified is dangerous and may cause a fire and/or electric shock.
- Do not use force on switches, controls or connection wires. When moving the unit, first disconnect the power plug and the wires connected to other equipment. Never pull the wires themselves.
- When not planning to use this unit for a long period (ie., vacation, etc.), disconnect the AC power plug from the wall outlet.
- To prevent lightning damage, disconnect the AC power plug when there is an electric storm.
- Since this unit has a built-in power amplifier, heat will radiate from the rear panel. Place the unit apart from the walls, allowing at least 20 cm of space above, behind and on both sides of the unit to prevent fire or damage. Furthermore, do not position with the rear panel facing down on the floor or other surfaces.
- Do not cover the rear panel of this unit with a newspaper, a tablecloth, a curtain, etc., in order not to obstruct heat radiation. If the temperature inside the unit rises, it may cause fire, damage to the unit and/or personal injury.
- Do not place the following objects on this unit:
  - Glass, china, small metallic, etc.  
If glass, etc., falls as a result of vibrations and breaks, it may cause bodily injury.
  - A burning candle etc.  
If the candle falls as a result of vibration, it may cause fire and bodily injury.
  - A vessel containing water  
If the vessel falls as a result of vibration and water spills, it may cause damage to the speaker, and/or you may get an electric shock.
- Do not place this unit where foreign material, such as dripping water. It might cause fire, damage to this unit, and/or personal injury.
- Never put a hand or a foreign object into the YST port located on the right side of this unit. When moving this unit, do not hold the port, as it might cause personal injury and/or damage to this unit.
- Never place a fragile object near the YST port of this unit. If the object falls or drops as a result of the air pressure, it may cause damage to the unit and/or personal injury.
- Never open the cabinet. It might cause an electric shock, since this unit uses a high voltage. It might also cause personal injury and/or damage to this unit. If something drops into the set, contact your dealer.
- When using a humidifier, be sure to avoid condensation inside this unit by allowing enough space around this unit or avoiding excess humidification. Condensation might cause fire, damage to this unit, and/or electric shock.
- Super-bass frequencies reproduced by this unit may cause a turntable to generate a howling sound. In such a case, move this unit away from the turntable.
- This unit may be damaged if certain sounds are continuously output at high volume level. For example, if 20 Hz-50 Hz sine waves from a test disc, bass sounds from electronic instruments, etc., are continuously output, or when the stylus of a turntable touches the surface of a disc, reduce the volume level to prevent this unit from being damaged.
- If you hear distortion (i.e., unnatural, intermittent “rapping” or “hammering” sounds) coming from this unit, reduce the volume level. Extremely loud playing of a movie soundtrack’s low frequency, bass-heavy sounds or similarly loud popular music passages can damage this speaker system.
- Vibration generated by super-bass frequencies may distort images on a TV. In such a case, move this unit away from the TV set.
- Do not attempt to clean this unit with chemical solvents as this might damage the finish. Use a clean, dry cloth.
- Be sure to read the “TROUBLESHOOTING” section regarding common operating errors before concluding that the unit is faulty.
- Install this unit near the wall outlet and where the AC power plug can be reached easily.
- **Secure placement or installation is the owner’s responsibility. Yamaha shall not be liable for any accident caused by improper placement or installation of speakers.**
- **VOLTAGE SELECTOR (Asia and General models only)**  
**The voltage selector switch on the rear panel of this unit must be set to your local main voltage BEFORE plugging this unit into the AC main supply. Voltages are 110-120 V/220-240 V.**

### WARNING

TO REDUCE THE RISK OF FIRE OR ELECTRIC SHOCK, DO NOT EXPOSE THIS APPLIANCE TO RAIN OR MOISTURE.

This unit is not disconnected from the AC power source as long as it is connected to the wall outlet, even if this unit itself is turned off. In this state, this unit is designed to consume a very small quantity of power.

## For U.K. customers

If the socket outlets in the home are not suitable for the plug supplied with this appliance, it should be cut off and an appropriate 3 pin plug fitted. For details, refer to the instructions described below.

**Note:** The plug severed from the mains lead must be destroyed, as a plug with bared flexible cord is hazardous if engaged in a live socket outlet.

## SPECIAL INSTRUCTIONS FOR U.K. MODEL

### IMPORTANT:

THE WIRES IN MAINS LEAD ARE COLOURED IN ACCORDANCE WITH THE FOLLOWING CODE:

Blue: NEUTRAL

Brown: LIVE

As the colours of the wires in the mains lead of this apparatus may not correspond with the coloured markings identifying the terminals in your plug, proceed as follows: The wire which is coloured BLUE must be connected to the terminal which is marked with the letter N or coloured BLACK. The wire which is coloured BROWN must be connected to the terminal which is marked with the letter L or coloured RED. Make sure that neither wire is connected to the earth terminal of a three pin plug.

## Information for Users on Collection and Disposal of Old Equipment



This symbol on the products, packaging, and/or accompanying documents means that used electrical and electronic products should not be mixed with general household waste.

For proper treatment, recovery and recycling of old products, please take them to applicable collection points, in accordance with your national legislation and the Directives 2002/96/EC.

By disposing of these products correctly, you will help to save valuable resources and prevent any potential negative effects on human health and the environment which could otherwise arise from inappropriate waste handling.

For more information about collection and recycling of old products, please contact your local municipality, your waste disposal service or the point of sale where you purchased the items.

[Information on Disposal in other Countries outside the European Union]

This symbol is only valid in the European Union. If you wish to discard these items, please contact your local authorities or dealer and ask for the correct method of disposal.

## Taking care of the speaker

To maintain the spotless glossy surface of the polished finish, wipe it with a soft, dry cloth. To avoid damage to the finish, do not apply chemical solvents, such as alcohol, benzene, thinner, insecticide, etc. Also, do not use a damp cloth, or any type of cloth that contains chemical solvents, or place a plastic or vinyl sheet on top of the speaker. Otherwise, the finish may peel, the color may fade, or the sheet may stick to the surface.

# CONTENTS

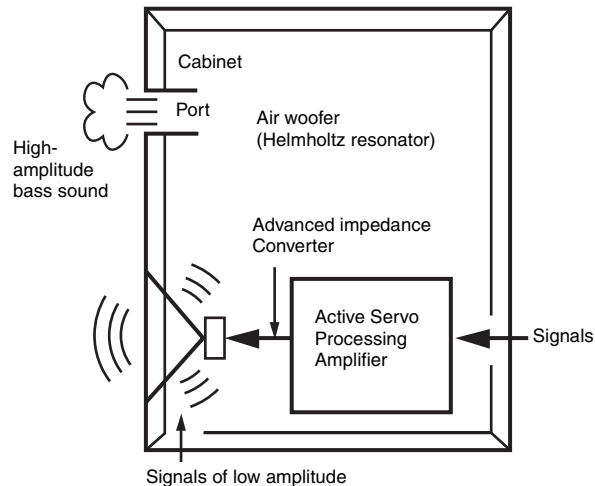
<b>ADVANCED YAMAHA ACTIVE SERVO TECHNOLOGY II .....</b>	<b>1</b>
<b>Twisted Flare Port .....</b>	<b>1</b>
<b>FEATURES.....</b>	<b>2</b>
<b>SUPPLIED ACCESSORY .....</b>	<b>2</b>
<b>PLACEMENT .....</b>	<b>2</b>
Subwoofer orientation.....	2
<b>CONTROLS AND THEIR FUNCTIONS .....</b>	<b>3</b>
<b>CONNECTIONS.....</b>	<b>5</b>
❶ Connecting to line output (pin jack) terminal(s) of the amplifier.....	5
❷ Connecting to speaker output terminals of the amplifier.....	7
Connecting to the INPUT1/OUTPUT terminals of the subwoofer .....	9
System connections .....	10
Plugging the subwoofer into an AC outlet .....	10
<b>AUTOMATIC POWER-SWITCHING FUNCTION .....</b>	<b>10</b>
Setting the AUTO STANDBY switch .....	10
<b>ADJUSTING THE BALANCE.....</b>	<b>11</b>
Subwoofer frequency characteristics .....	13
<b>TROUBLESHOOTING.....</b>	<b>14</b>
<b>SPECIFICATIONS .....</b>	<b>15</b>

## ADVANCED YAMAHA ACTIVE SERVO TECHNOLOGY II

In 1988, Yamaha brought to the marketplace speaker systems utilizing YST (Yamaha Active Servo Technology) to give powerful, high quality bass reproduction. This technique uses a direct connection between the amplifier and speaker, allowing accurate signal transmission and precise speaker control.

As this technology uses speaker units controlled by the negative impedance drive of the amplifier and resonance generated between the speaker cabinet volume and port, it creates more resonant energy (the “air woofer” concept) than the standard bass reflex method. This allows for bass reproduction from much smaller cabinets than was previously possible.

Yamaha’s newly developed Advanced YST II adds many refinements to Yamaha Active Servo Technology, allowing better control of the forces driving the amplifier and speaker. From the amplifier’s point of view, the speaker impedance changes depending on the sound frequency. Yamaha developed a new circuit design combining negative-impedance and constant-current drives, which provides a more stable performance and clear bass reproduction, without any murkiness.



## Twisted Flare Port

Today’s bass reflex speakers use a Helmholtz resonator to improve their bass reproduction. However when reproducing bass that is in the frequency region of this Helmholtz resonator, air moves violently in and out through the port between the interior and exterior of the speaker, sometimes producing noise due to the turbulent air flow at the end of the port.

The port and the cabinet resonate at a frequency that is determined by their dimensions and shape. On the other hand, turbulence in the air flow at the end of the port contains a broad range of frequency components that are not present in the input signal. This noise occurs because the broad range of frequency components includes components that match the resonant frequencies of the port and cabinet, causing strong resonance.

The Twisted Flare Port developed by Yamaha changes the way in which the port widens toward its end, and also adds a “twist” to suppress airflow turbulence at each end of the port and thus prevent noise from occurring.

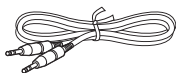
This eliminates the “muddy sound” and “wind noise” that until now have been characteristic of bass reflex speakers, allowing bass to be reproduced clearly.

## FEATURES

- This subwoofer system employs Advanced Yamaha Active Servo Technology II, which Yamaha has developed for the production of higher quality, super-bass sound. This super-bass sound adds a more realistic, theater-in-the-home effect to your stereo system.
- This subwoofer can easily be added to your existing audio system by connecting to either the speaker terminals or the line output (pin jack) terminals of the amplifier.
- For effective use of the subwoofer, the subwoofer's super-bass sound should be matched to the sounds of your front speakers. You can create the best sound quality for various listening conditions by using the HIGH CUT control and the PHASE switch.
- The Automatic power-switching function saves you the trouble of pressing the STANDBY/ON button to turn the power on and off.
- The subwoofer can be linked to a Yamaha component for simultaneous power on/off operation. Use the supplied system control cable to connect the subwoofer to a Yamaha component that features a system connector jack. When you turn on or off the power to the connected component, the subwoofer will also be turned on or off.
- The flared, gently twisting shape diffuses the vortex of air generated around the edge of the port, creating a smooth flow of air. This reduces extraneous noise not present in the original input signal, and provides clear, accurate low frequency reproduction.
- The subwoofer can also reproduce a bass sound that is appropriate for the source. (NS-SW300 only) It features a B.A.S.S. switch that enables you to select a bass effect that is suitable for the source.

## SUPPLIED ACCESSORY

After unpacking, check that the following accessory is contained.



System control cable (5 m x 1)

## PLACEMENT

Since the low-end frequencies of audio signals feature long wavelengths, they are almost non-directional to human ears. The super-bass range does not create a stereo image. Therefore, a single subwoofer may be enough to produce a high-quality super-bass sound. However, using two subwoofers (similarly to L and R front speakers) can enhance your acoustic experience.

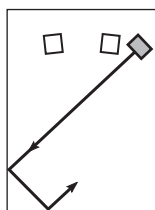
### Subwoofer orientation

Place the subwoofer as shown in fig. **A**, **B** or **C** for the optimum effect.

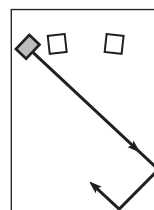
■ : subwoofer □ : front speaker

#### **A** Using one subwoofer

Place the subwoofer on the outside of either the left or right front speaker.

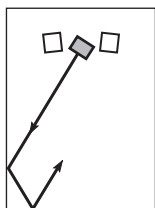


or

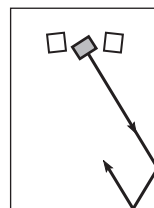


#### **B** Placing the subwoofer in between the left and right front speakers

If you are placing the subwoofer in between the left and right front speakers, position it slightly at an angle toward the wall for better effect.

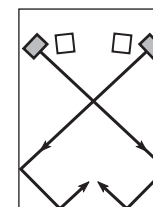


or



#### **C** Using two subwoofers

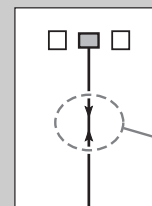
Place them on the outside of each front speaker.



#### Note

The placement shown in the figure below is also possible. However, if the subwoofer system is placed directly facing a wall, the bass effect may suffer due to phase cancellation caused by the interference between the direct and reflected sounds.

To prevent this from happening, place the subwoofer system at an angle. (Figures **A**, **B**, and **C**).



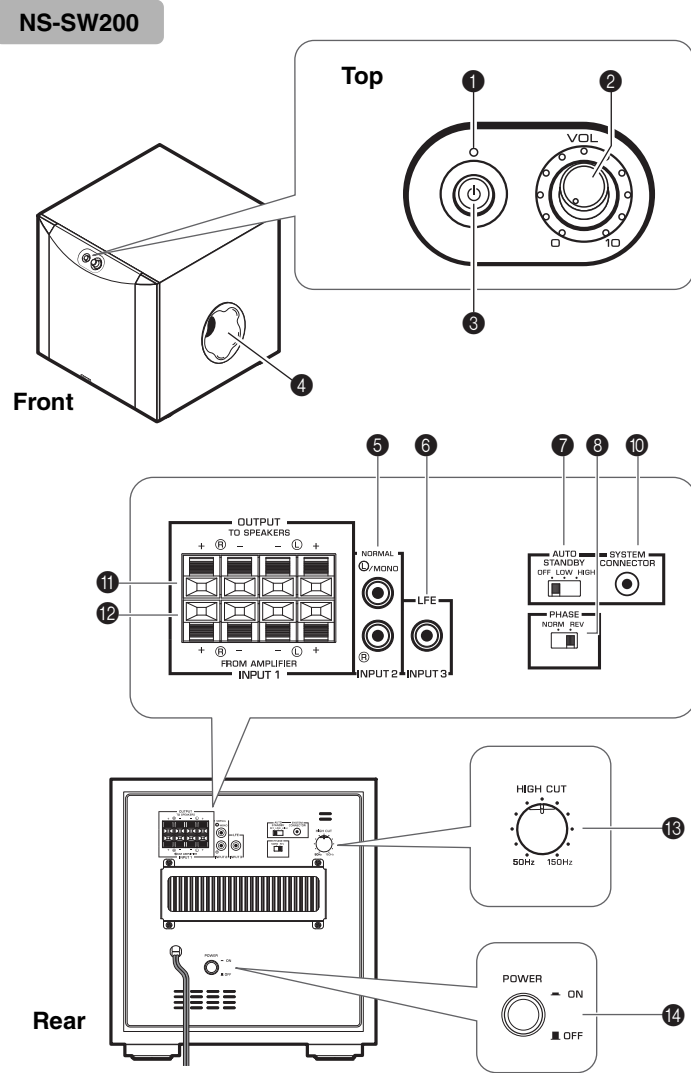
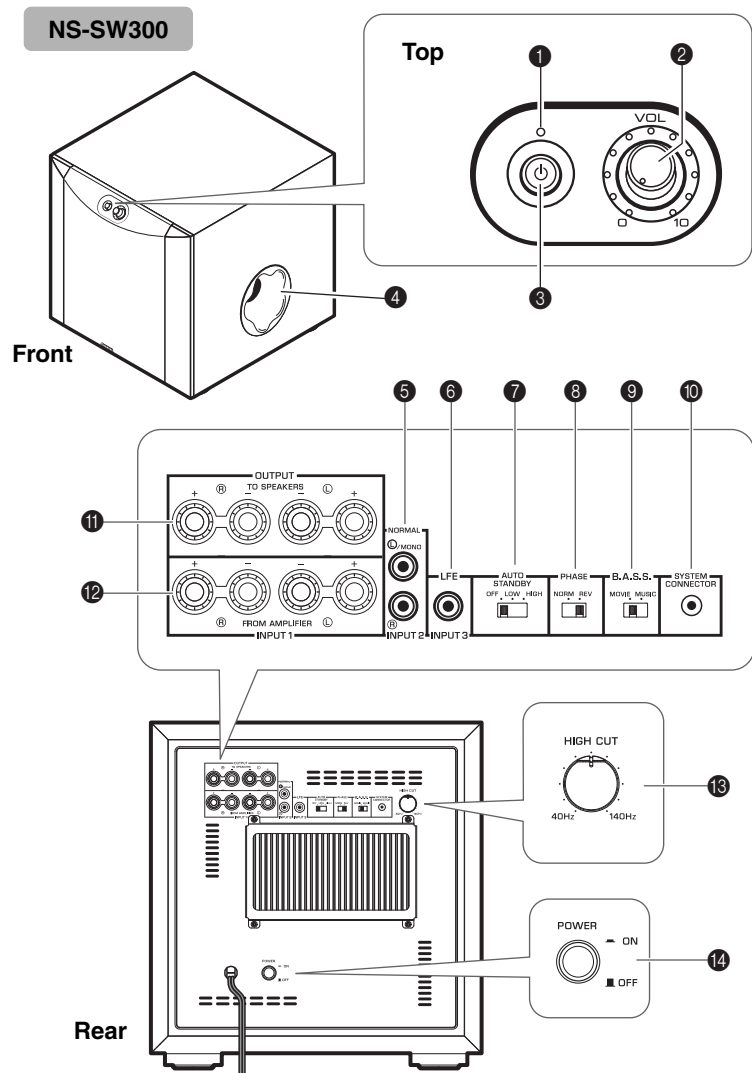
There may be a case that you cannot obtain enough super-bass sound from the subwoofer due to standing waves.

#### Notes

- This unit features a magnetically shielded design. However, there is still a chance that placing it too close to a CRT-type TV set might impair picture color. Should this happen, move this unit away from the TV set.
- If the speaker volume is very loud, furniture or window glass may resonate and the subwoofer itself may vibrate. In this case, lower the volume level. To limit resonance, use a thick curtain or similar cloth that tends to absorb sound vibrations effectively. Also, changing the subwoofer position may be helpful.

# CONTROLS AND THEIR FUNCTIONS

Check the model number of your subwoofer on the label on the rear panel.





## CONTROLS AND THEIR FUNCTIONS

### 1 Indicator

**Green:** The subwoofer is turned on.

**Red:** The Automatic power-switching function has activated, and the subwoofer is in standby mode.

**Off:** The subwoofer is turned off.

### 2 VOLUME control (☞ page 11)

Adjusts the volume level. Turn the control clockwise to increase the volume, and counterclockwise to decrease the volume.

### 3 STANDBY/ON switch

While the POWER switch is ON, press this switch to turn on the power to the subwoofer. The indicator will light up green. Press the switch again to turn off the power to the subwoofer. The indicator will turn off.

The subwoofer uses a small amount of power in standby mode.

### 4 Port (☞ page 1)

Outputs super-bass sound.

### 5 INPUT2 (NORMAL) terminals (☞ page 5)

Used to input line level signals from the amplifier.

### 6 INPUT3 (LFE) terminal (☞ page 6)

If your amplifier (or receiver) can cut off high frequencies from signals sent to the subwoofer, connect the amplifier to the subwoofer's INPUT3 (LFE) terminal.

The HIGH CUT control 13 has no effect on signals input to the INPUT 3 LFE terminal.

### 7 AUTO STANDBY (HIGH/LOW/OFF) switch (☞ page 10)

This switch is originally set to the OFF position. By setting this switch to the HIGH or LOW position, the subwoofer's automatic power-switching function operates. If you do not need this function, leave this switch in the OFF position.

#### Note

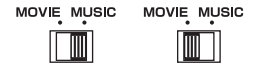
Be sure to set the POWER switch to OFF before you set the AUTO STANDBY switch.

### 8 PHASE switch (☞ page 11)

This switch is to be set to the REV (reverse) position. However, depending on your speaker system or listening conditions, there may be a case when better sound quality is obtained by setting this switch to the NORM (normal) position. Select the best position by ear.

### 9 B.A.S.S. (Bass Action Selector System) switch (NS-SW300 only) (☞ page 11)

When this switch is set to MUSIC, the bass sound in audio software is well reproduced. When the switch is set to MOVIE, the bass sound in video software is well reproduced.



### 10 SYSTEM CONNECTOR jack (☞ page 10)

Connect the supplied system control cable here. If you use the system control cable to connect a subwoofer to a Yamaha component (that features a system connector jack), turning on or off the power to the connected component automatically turns the subwoofer on or off.

### 11 OUTPUT (TO SPEAKERS) terminals (☞ page 7)

Can be used for connecting to the main speakers. Signals at the INPUT1 terminals are sent to these terminals.

### 12 INPUT1 (FROM AMPLIFIER) terminals (☞ page 7)

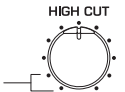
Used to connect the subwoofer with the speaker terminals of the amplifier.

### 13 HIGH CUT control (☞ page 11)

Adjusts the high frequency cut off point.

Frequencies higher than the frequency selected by this control are all cut off (and not output).

\* One graduation of this control represents 10 Hz.



### 14 POWER switch

During normal usage, set this switch to ON. If you plan not to use the subwoofer for a long period of time, set the switch to OFF.

# CONNECTIONS

Choose one of the following connection methods most suitable for your audio system.

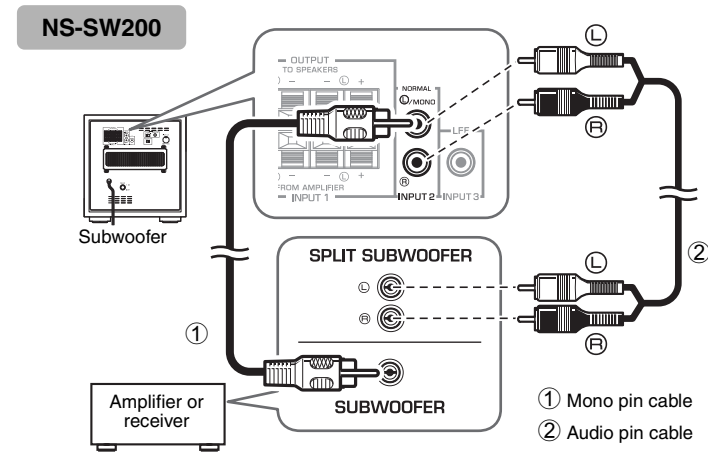
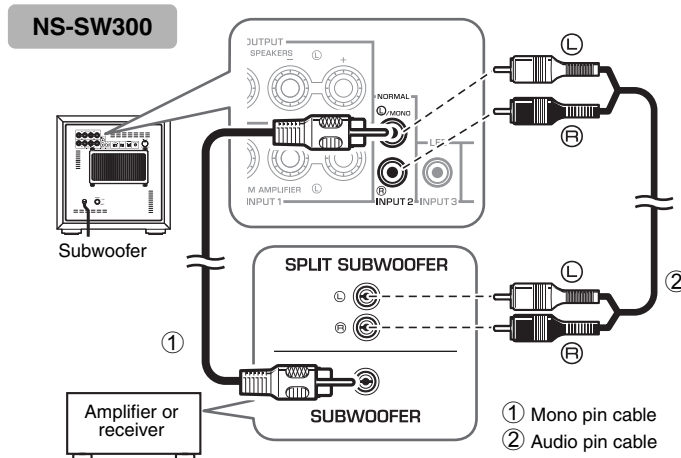
- 1 Choose this method if your amplifier has line output (pin jack) terminal(s). (☞ page 5, 6)
- 2 Choose this method if your amplifier has no line output (pin jack) terminals. (☞ page 7, 8)

## Notes

- Unplug the subwoofer and other audio/video components before making connections, and do not plug them in until all connections are completed.
- Connecting methods and terminal names on your component (such as an amplifier or receiver) may be different from those used in this book. Please refer to the owner's manual that came with your component.
- All connections must be correct, that is to say L (left) to L; R (right) to R; "+" to "+" and "-" to "-".

## 1 Connecting to line output (pin jack) terminal(s) of the amplifier

### Example: Connecting one subwoofer



Use a **commercially-available Mono pin cable** (1) or a **commercially-available Audio pin cable** (2) to make the connections.

- Connect the SUBWOOFER (or LOW PASS, etc.) terminal on the rear of the amplifier (or AV receiver) to the L/MONO INPUT2 terminal of the subwoofer using a commercially-available Mono pin cable (1).

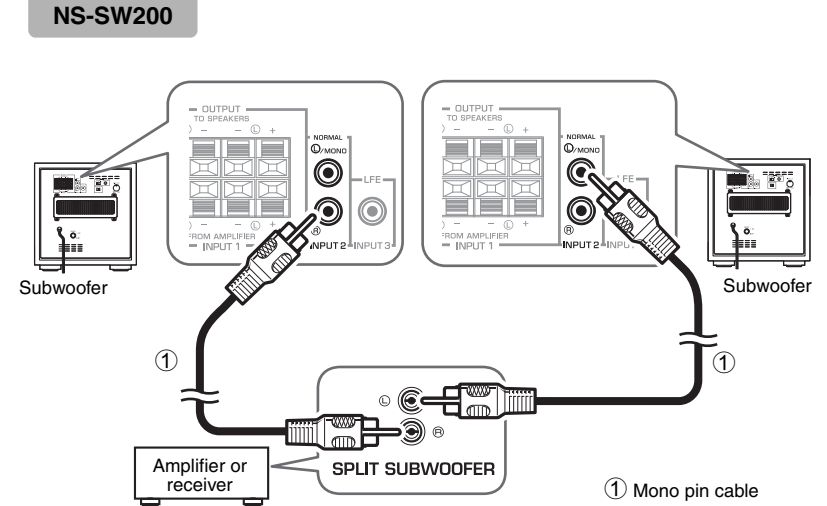
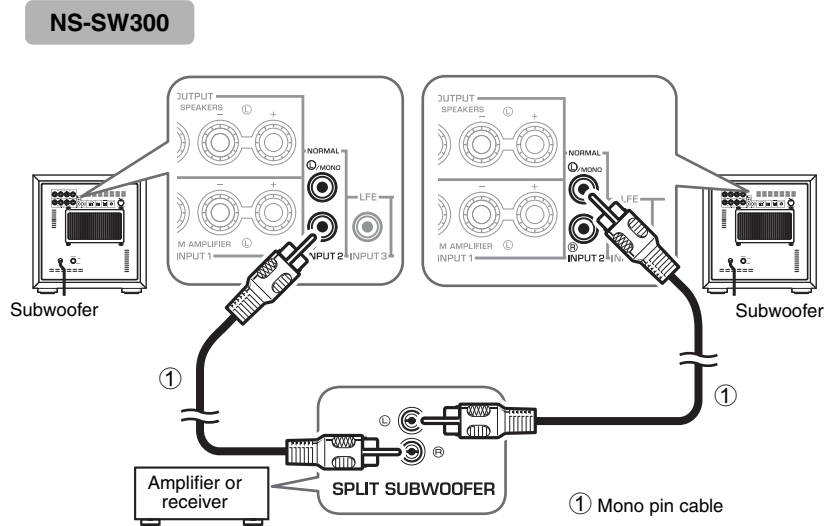
### Alternatively,

- When connecting the subwoofer to the SPLIT SUBWOOFER terminals (featuring L and R channels) on the rear panel of the amplifier, use a commercially-available Audio pin cable (2) to connect the L/MONO INPUT2 terminal to the "L" side, and the R INPUT2 terminal to the "R" side of the SPLIT SUBWOOFER terminals.

### Note

Audio signals input from the L/MONO and R INPUT 2 terminals on the subwoofer will not be output from the OUTPUT (TO SPEAKERS) terminals.

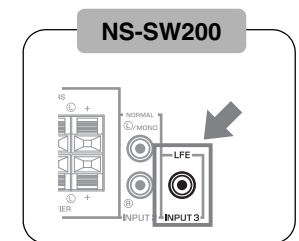
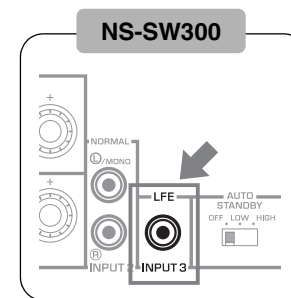
## Example: Connecting two subwoofers



### Connecting to the INPUT3 (LFE) terminal

If your amplifier (or receiver) can cut off high frequencies from signals sent to the subwoofer, connect the amplifier to the subwoofer's INPUT3 (LFE) terminal.

This will promote higher sound quality because the signal routing in the subwoofer is shortened by bypassing the built-in HIGH CUT circuit.



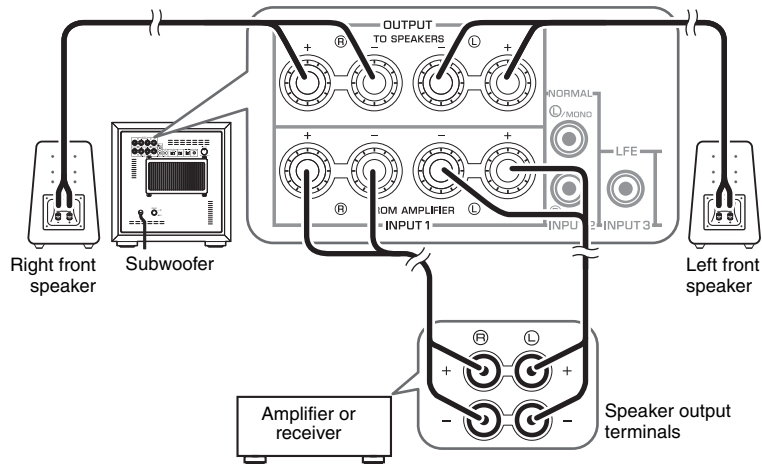
## 2 Connecting to speaker output terminals of the amplifier

### ■ Example: Connecting the subwoofer to an amplifier that features one set of speaker output terminals

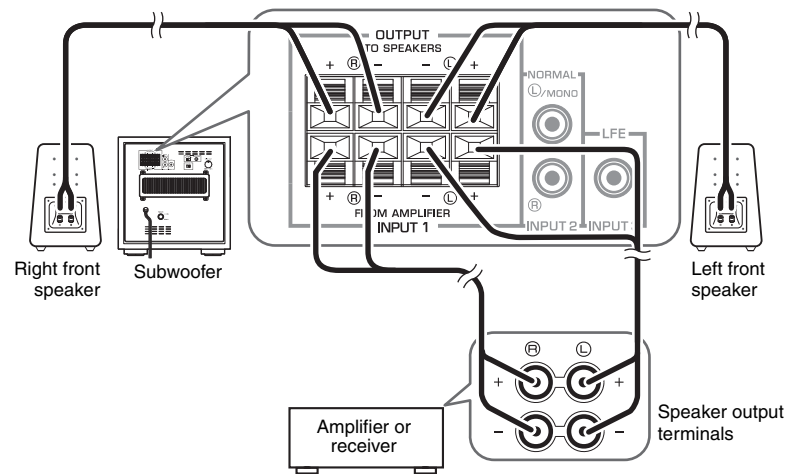
Use speaker cables to connect the speaker output terminals of the amplifier to the subwoofer's INPUT 1 (FROM AMPLIFIER) terminals. Connect the front speakers to the subwoofer's OUTPUT (TO SPEAKERS) terminals. Although the subwoofer is connected between the front speakers and the amplifier, the sound volume or quality will not be affected.

#### Connecting one subwoofer

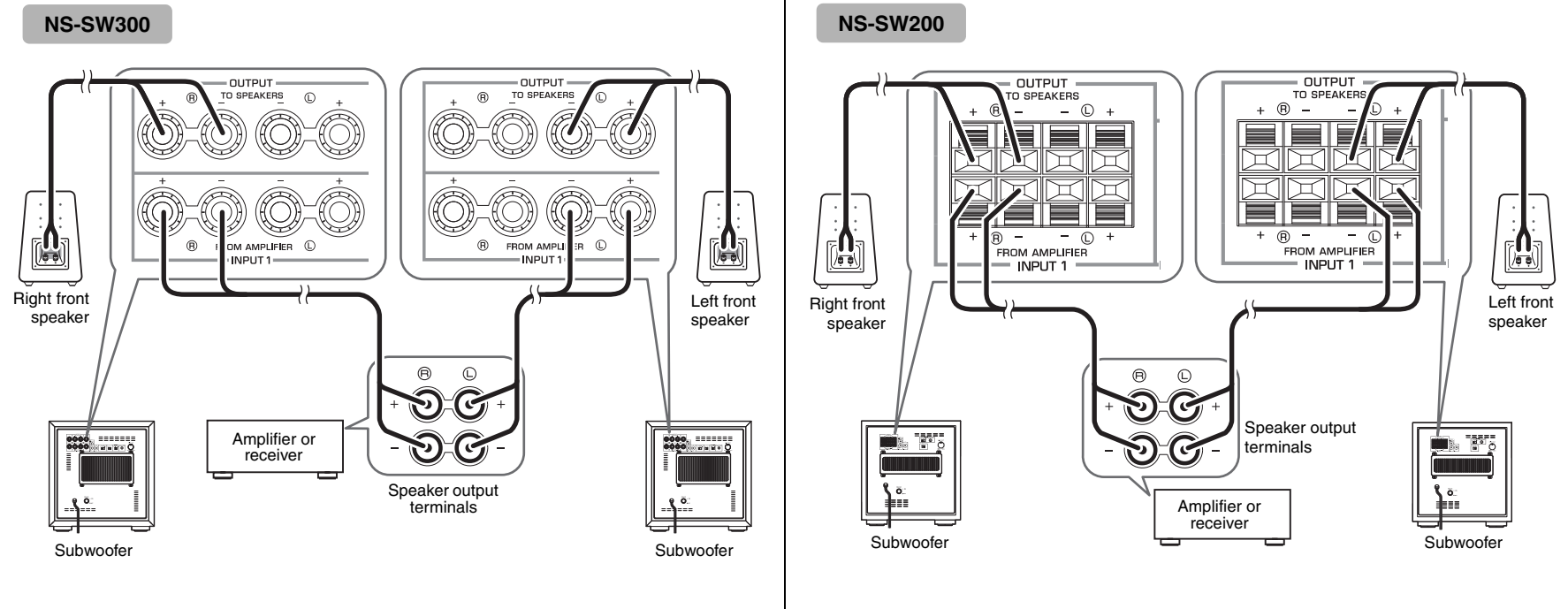
NS-SW300



NS-SW200



## Connecting two subwoofers



■ **Example: Connecting the subwoofer to an amplifier featuring two sets of speaker output terminals (A and B) that can output sound signals simultaneously**

Set the amplifier so that both sets of speaker output terminals (A and B) will output sound signals simultaneously. Then, connect the front speakers to terminals A, and connect the subwoofer to terminals B.

**Note**

If your amplifier features two sets of speaker output terminals that do NOT output sound signals simultaneously, please refer to the example for connecting an amplifier that has only one set of speaker output terminals (see the figure on the left).

## Connecting to the INPUT1/OUTPUT terminals of the subwoofer

### Notes

- Make sure that the “+” and “-” polarity markings of the speaker cables are observed and set correctly. If these cables are reversed, the sound will be unnatural and lack bass.
- Do not let the bare speaker wires touch each other, because this could damage the subwoofer or the amplifier.
- If the connections are faulty, no sound will be heard from the subwoofer or the speakers. Do not insert the insulation into the hole. Sound may not be produced.
- To avoid accidents resulting from tripping over loose speaker cables, fix them to the floor.

### ■ Before connecting

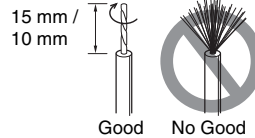
Remove the insulation at the tip of the speaker cable, then twist the core wires together so that they will not become disarrayed and short-circuited.

#### NS-SW300

Remove about 15 mm (5/8") of insulation.

#### NS-SW200

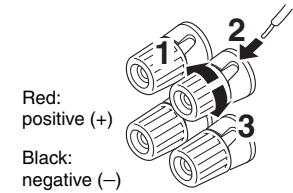
Remove about 10 mm (3/8") of insulation.



### ■ How to connect

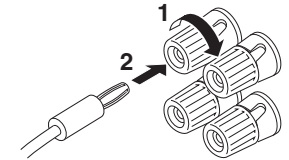
#### NS-SW300

1. Loosen the terminal's knob, as shown in the figure.
2. Insert the bare wire.
3. Tighten the knob.
4. Test the firmness of the connection by pulling lightly on the cable at the terminal.



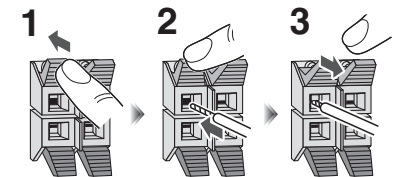
#### ■ Connecting the banana plug (NS-SW300 only)

1. Tighten the terminal knob.
2. Simply insert the banana plug into the terminal.



#### NS-SW200

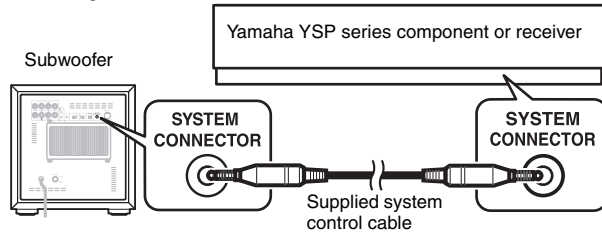
1. Press and hold the terminal's tab, as shown in the figure.
2. Insert the bare wire.
3. Release your finger from the tab to allow it to lock securely on the cable's wire end.
4. Test the firmness of the connection by pulling lightly on the cable at the terminal.



## System connections

If you use the included system control cable to connect a subwoofer to a Yamaha component (that features a system connector jack such as a YSP series component or Yamaha receiver), turning on or off the power to the connected component automatically turns the subwoofer on or off.

### Connection example



### How the System Connection works

Turning on the power to the connected component will automatically turn on the subwoofer.

\* **The indicator lights green.**



Turning off the power to the connected component will automatically turn off the subwoofer.

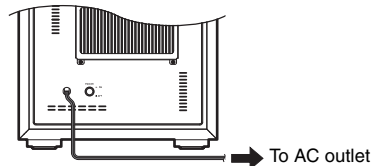
\* **The indicator turns off.**

### Notes

- For this feature to be available, the **POWER** switch on the rear panel and the **STANDBY/ON** switch on the top panel (☞ page 3) must be set to **ON**.
- Powering on/off via the system connection takes priority over the Automatic power-switching function. (While the unit is turned on, the Automatic power-switching function is enabled.)
- To modify the settings of the connected components, please refer to the owner's manual that came with the respective component.

## Plugging the subwoofer into an AC outlet

After all connections are completed, plug the subwoofer and other audio/video components into AC outlets.



## AUTOMATIC POWER-SWITCHING FUNCTION

This function automatically places the subwoofer in standby mode if the subwoofer does not detect a signal from the amplifier for a certain period of time. The subwoofer automatically turns on as soon as it detects a signal from the amplifier.

The Automatic power-switching function works as follows when the **AUTO STANDBY** (HIGH/LOW/OFF) switch is set to **LOW** or **HIGH**. (Normally, set the switch to **LOW**.)

### How the Automatic power-switching function works

The subwoofer automatically enters standby mode if it does not receive an input signal (\*1) from the amplifier for 7 or 8 minutes (\*2).

\* **The indicator color changes from green to red.**



When the subwoofer detects an input signal (\*1) from the amplifier, the subwoofer automatically turns on. \* **The indicator color changes from red to green.**

\*1 When the Automatic power-switching function is enabled, the subwoofer will detect a bass signal input of below 200Hz (such as sound effects of explosion in action movies, bass guitar or bass drum sound, etc.).

\*2 This value may vary depending on the system environment. For example, it may be affected by noise generated from other equipment.

### Note

For this feature to be available, the **POWER** switch on the rear panel and the **STANDBY/ON** switch on the top panel (☞ page 3) must be set to **ON**.

## Setting the AUTO STANDBY switch

### Note

Be sure to set the **POWER** switch to **OFF** before you set the **AUTO STANDBY** switch.

**LOW:** The Automatic power-switching function activates at a certain level of input signal. To enable the function, select this position.

**HIGH:** If the Automatic power-switching function does not work well when the **AUTO STANDBY** switch is set to **LOW**, select this position. If the function still does not work, slightly raise the **LFE LEVEL** on the amplifier.

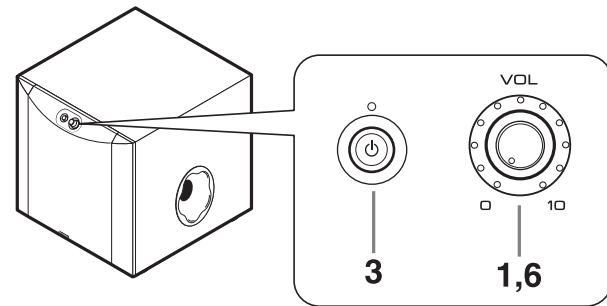
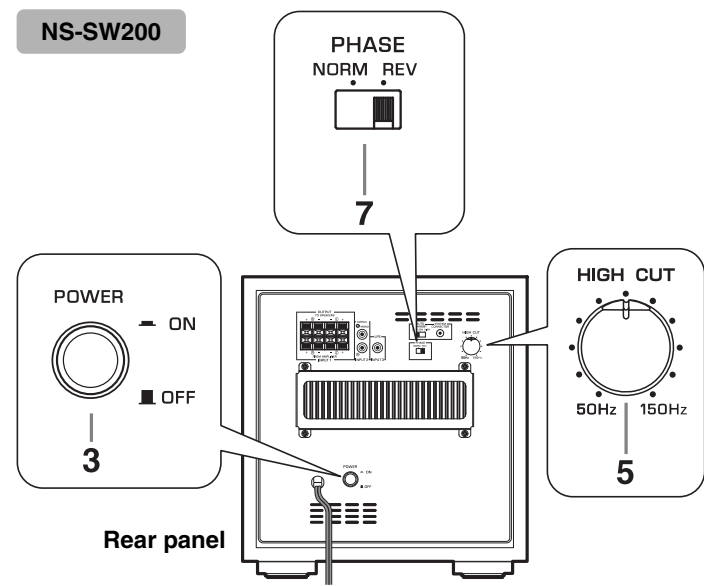
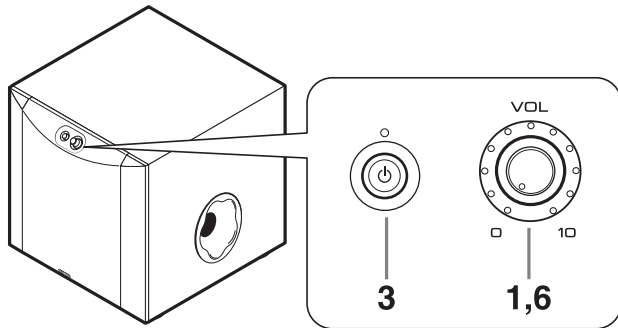
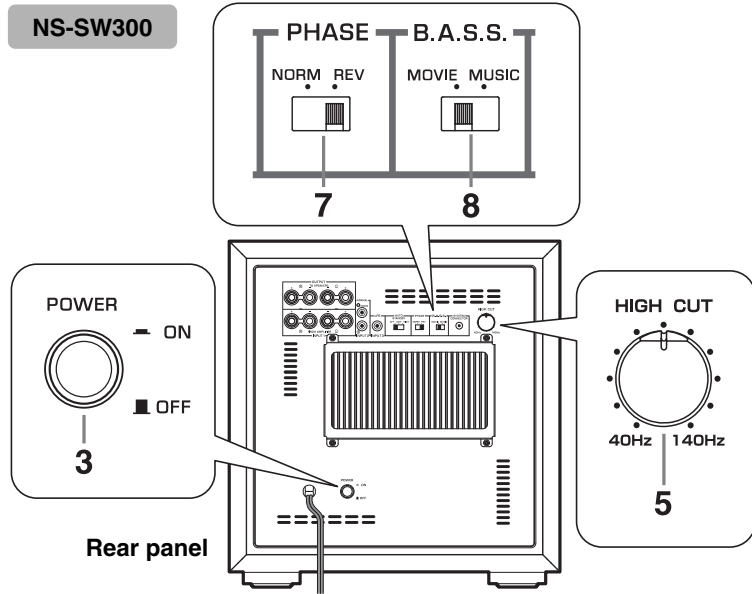
**OFF:** The Automatic power-switching function may unexpectedly activate due to the system environment, for example, if the subwoofer detects noise generated from the peripheral components. In this case, select this position to disable the Automatic power-switching function, and manually turn the unit on or off by using the **POWER** switch.

### Notes

- The subwoofer uses a small amount of power in auto-standby mode.
- If you plan not to use the subwoofer for a long period of time, set the **POWER** switch on the rear panel to **OFF**, or unplug the power cable from the AC outlet.

# ADJUSTING THE BALANCE

To achieve natural sound with an effective super-bass component, you must adjust the volume and tone balance between the subwoofer and the front speakers. Follow the procedure described below. If your amplifier or other component connected to the system features subwoofer settings, make the appropriate settings on that component.





## ADJUSTING THE BALANCE

1. Set the VOLUME control to minimum (0).
2. Turn on the power to the component(s) connected to the subwoofer.  
If the component is connected to the subwoofer's SYSTEM CONNECTOR jack, turn on the power to that component.
3. Make sure that the POWER switch is set to the ON position, then set the STANDBY/ON switch to ON.  
\* The indicator lights green.
4. Play a source that contains low-frequency components and adjust the output level of the front speakers using the amplifier's volume control to the desired listening level. (Set all tone controls to flat.)
5. Adjust the HIGH CUT control to the position where the desired response can be obtained.  
Normally, set the control to a level a little higher than the front speaker's rated minimum reproducible frequency\*.  
\* The front speaker's rated minimum reproducible frequency can be looked up in the speakers' catalog or owner's manual.  
\* The HIGH CUT control has no effect on signals input to the INPUT 3 LFE terminal.
6. Increase the volume gradually to adjust the volume balance between the subwoofer and the front speakers.  
Normally, set the control to a level where you can obtain a little more bass effect than when the subwoofer is not used.
7. Set the PHASE switch to the position which yields the more natural (or preferable) phasing.
8. Set the B.A.S.S. switch to "MOVIE" or "MUSIC" according to the played source. (NS-SW300 only)  
**MOVIE:**  
When a movie type source is played, the low-frequency effects are enhanced to allow listeners to enjoy a more powerful sound. (The sound will be richer and deeper.)  
**MUSIC:**  
When an ordinary music source is played, the excessive low-frequency components are cut off to make the sound clearer. (The sound will carry less bass and reproduce the melody line more clearly.)

### Note

Once the volume balance between the subwoofer and the front speakers is adjusted, you can adjust the volume of your entire sound system by using the amplifier's volume control. However, if you replace the front speakers, you will need to make this adjustment again.

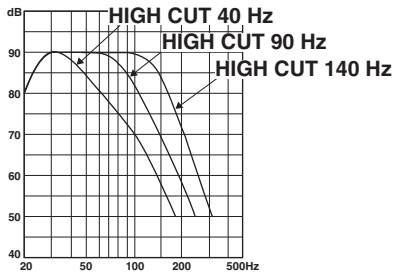
### PHASE switch

In most situations, set this switch to select the reverse mode. However, depending on your speaker systems or listening condition, there may be a case when better sound quality is obtained by selecting the normal mode. Select the better mode by monitoring the sound.

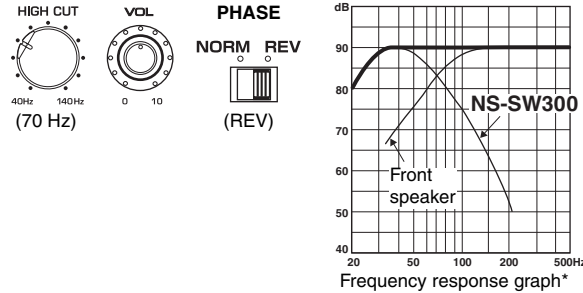
## Subwoofer frequency characteristics

The figures below show the optimum adjustment of each control and the frequency characteristics when the subwoofer is combined with a typical front speaker system.

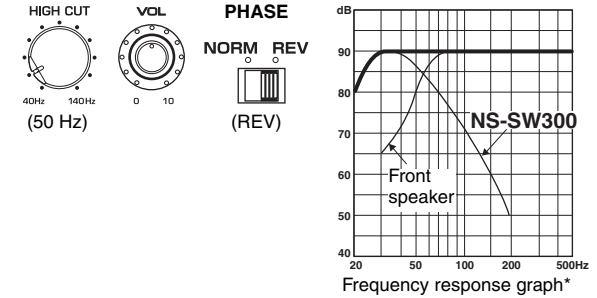
### NS-SW300



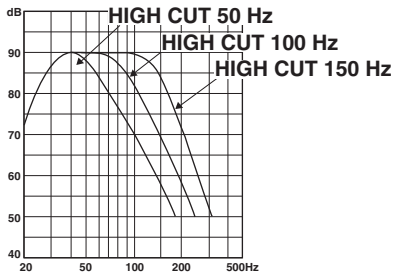
■ When combined with 10 cm (4") or 13 cm (5") acoustic suspension, 2-way system front speakers



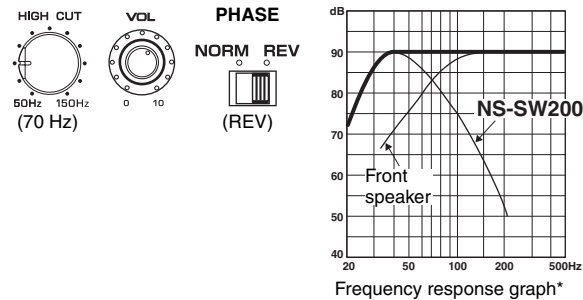
■ When combined with 20 cm (8") or 25 cm (10") acoustic suspension, 2-way system front speakers



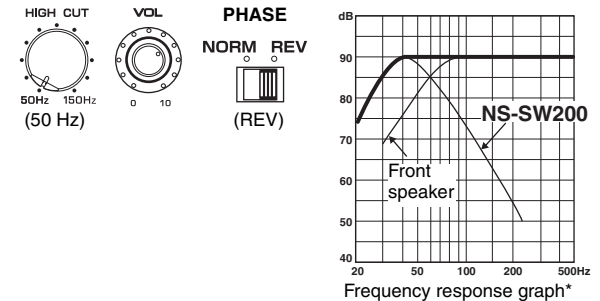
### NS-SW200



■ When combined with 10 cm (4") or 13 cm (5") acoustic suspension, 2-way system front speakers



■ When combined with 20 cm (8") or 25 cm (10") acoustic suspension, 2-way system front speakers



\* These diagrams do not depict actual frequency response characteristics.

# TROUBLESHOOTING

Refer to the chart below if this unit does not function properly.

If the instructions given below do not help, or if the problem you are experiencing is not listed below, turn off the power to the unit, disconnect the power cord and contact an authorized Yamaha dealer or service center.

Problem	Cause	What to Do
<b>Power is not supplied even though the STANDBY/ON switch is set the ON position.</b>	The power plug is not securely connected.	Connect it securely.
	The POWER switch is set to the OFF position.	Set the POWER switch to the ON position.
<b>The subwoofer does not turn on automatically via the system connection.</b>	The system control cable is not connected properly or securely.	Connect the system control cable properly.
	The POWER switch is set to OFF.	Set the POWER switch to ON.
<b>No sound.</b>	The volume is set to minimum.	Increase the volume.
	Speaker cables are not connected securely.	Connect speaker cables securely.
<b>Low range sound is too soft or not heard.</b>	Speaker cables are not connected correctly.	Connect them correctly, that is L (left) to L; R (right) to R; “+” to “+” and “-” to “-”.
	The PHASE switch is not set correctly.	Set the PHASE switch to the other position.
	A source sound with little bass frequency content is being played.	Play a source sound with bass frequencies. Set the HIGH CUT control to a higher position.
	The sound is influenced by standing waves.	Relocate the subwoofer or change its positioning angle.
	No bass frequency content is being output from the amplifier.	Check the bass output setting of the amplifier.
<b>The subwoofer does not turn on automatically.</b>	The POWER switch is set to the OFF position.	Set the POWER switch to the ON position.
	The STANDBY/ON switch is set to the STANDBY position.	Set the STANDBY/ON switch to the ON position.
	The AUTO STANDBY switch is set to the OFF position.	Set the AUTO STANDBY switch to the HIGH or LOW position.
	The level of input signal is too low.	Set the AUTO STANDBY switch to the HIGH position, and increase the output level of the amplifier.

Problem	Cause	What to Do
	No bass frequency content is being output from the amplifier.	Check the bass output setting of the amplifier.
<b>The subwoofer does not enter standby mode automatically.</b>	Noise generated from external appliances etc., is activating the subwoofer.	Move the subwoofer farther away from such appliances, and/or reposition the connected speaker cables. Set the AUTO STANDBY switch to the HIGH or LOW position.
	The AUTO STANDBY switch is set to the OFF position.	Set the AUTO STANDBY switch to the HIGH or LOW position.
<b>The subwoofer enters standby mode unexpectedly.</b>	The level of input signal is too low.	Set the AUTO STANDBY switch to the HIGH position, and increase the output level of the amplifier.
<b>The subwoofer turns on unexpectedly.</b>	Noise generated from external appliances etc., is activating the subwoofer.	Move the subwoofer farther away from such appliances, and/or reposition the connected speaker cables. If the AUTO STANDBY switch is set to HIGH, set it to LOW. Alternatively, set the AUTO STANDBY switch to the OFF position.
<b>An object has fallen into the port.</b>	Do not try to remove the object. Attempting to remove the object may cause a malfunction.	Contact an authorized Yamaha dealer or service center.

# SPECIFICATIONS

## NS-SW300

Type .....	Advanced Yamaha Active Servo Technology II
Driver .....	25 cm (10") cone woofer Magnetic shielding type
Amplifier Output (100 Hz, 5 ohms, 10% THD) .....	250 W
Frequency Response .....	20 Hz - 160 Hz
Power Supply	
U.K. and Europe models .....	AC 230 V, 50 Hz
Australia model .....	AC 240 V, 50 Hz
China model .....	AC 220 V, 50 Hz
Asia and General models .....	AC 110-120/220-240 V, 50/60 Hz
Power Consumption .....	80 W
Standby Power Consumption .....	0.3 W or less
Dimensions (W × H × D) .....	350 × 366 × 420 mm (13-3/4" × 14-3/8" × 16-1/2")
Weight .....	18.0 kg (39.7 lbs.)

## NS-SW200

Type .....	Advanced Yamaha Active Servo Technology II
Driver .....	20 cm (8") cone woofer Magnetic shielding type
Amplifier Output (100 Hz, 5 ohms, 10% THD) .....	130 W
Frequency Response .....	28 Hz - 200 Hz
Power Supply	
U.K. and Europe models .....	AC 230 V, 50 Hz
Australia model .....	AC 240 V, 50 Hz
China model .....	AC 220 V, 50 Hz
Asia and General models .....	AC 110-120/220-240 V, 50/60 Hz
Power Consumption .....	67 W
Standby Power Consumption .....	0.3 W or less
Dimensions (W × H × D) .....	290 × 306 × 351 mm (11-3/8" × 12" × 13-7/8")
Weight .....	11.2 kg (24.7 lbs.)

Please note that all specifications are subject to change without notice.

### Important Notice: Guarantee Information for customers in EEA\* and Switzerland

English

For detailed guarantee information about this Yamaha product, and Pan-EEA\* and Switzerland warranty service, please either visit the website address below (Printable file is available at our website) or contact the Yamaha representative office for your country. \* EEA: European Economic Area

<http://europe.yamaha.com/warranty/>



**YAMAHA**

YAMAHA CORPORATION

Printed in Indonesia ZH15470