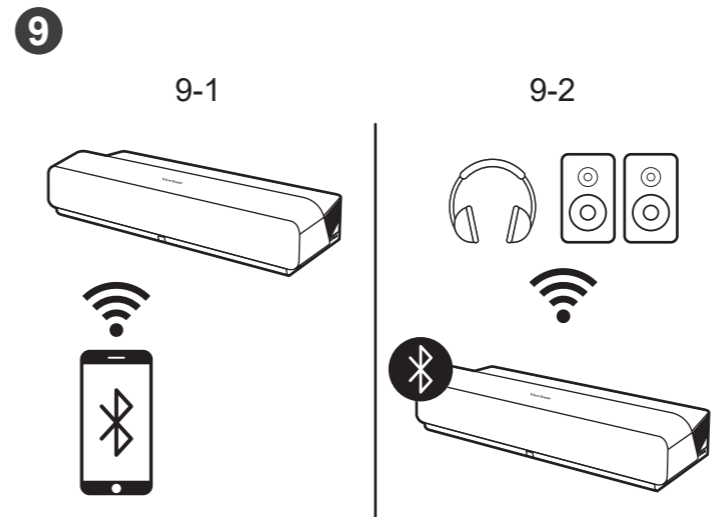
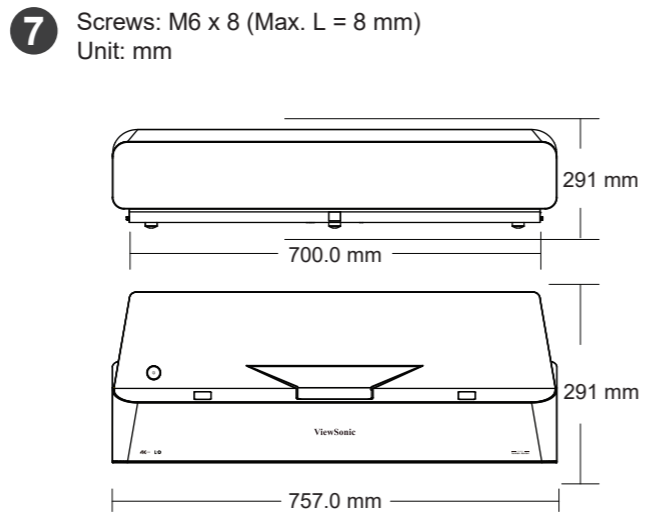
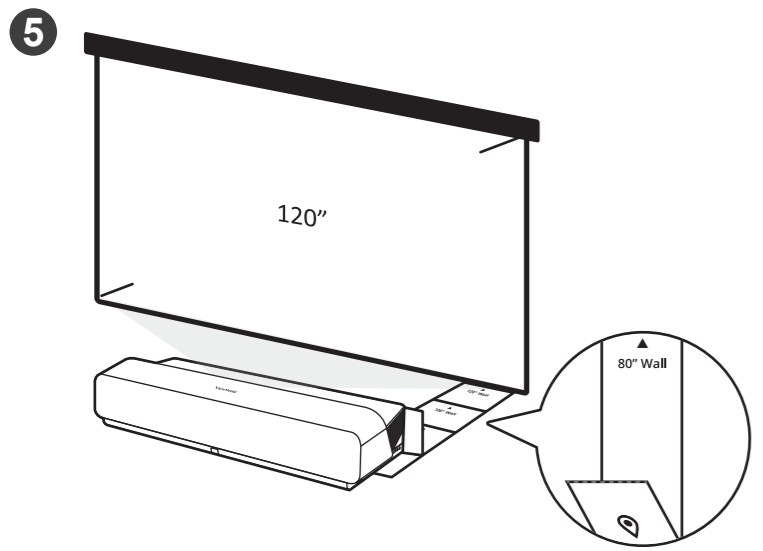
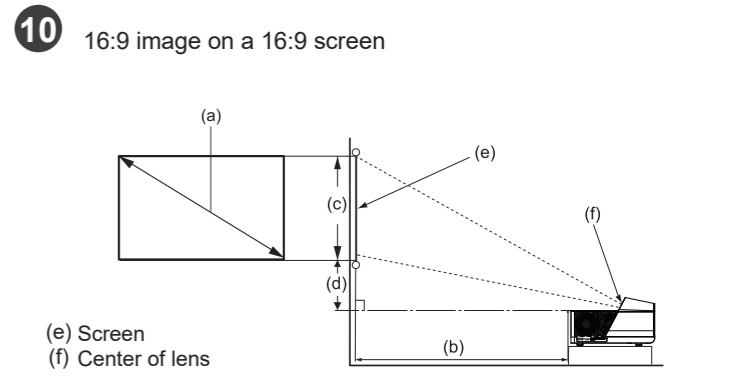
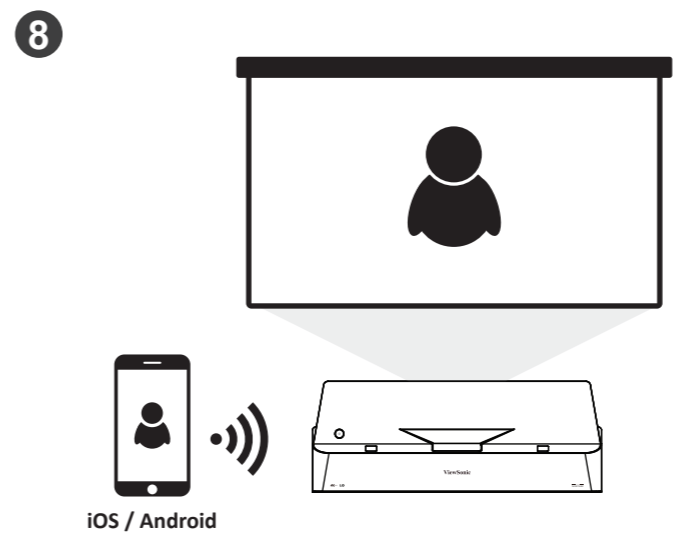
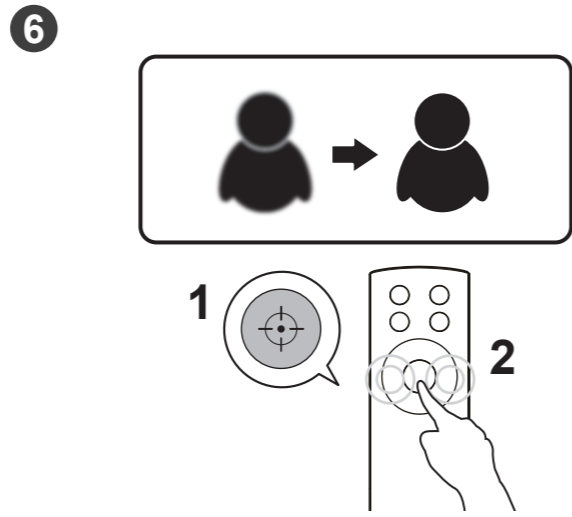
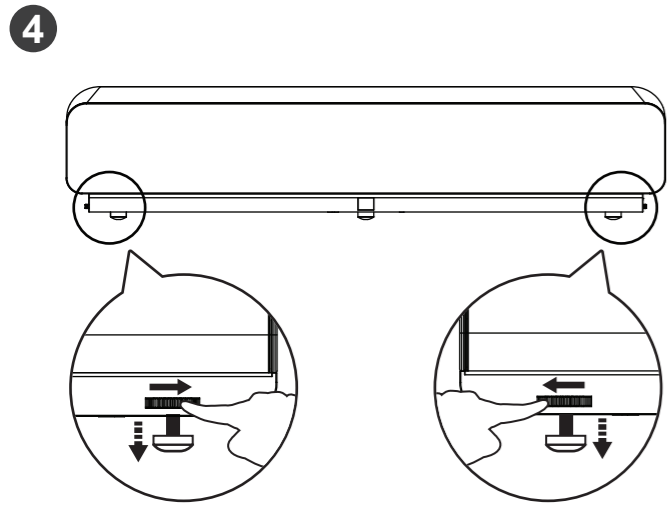
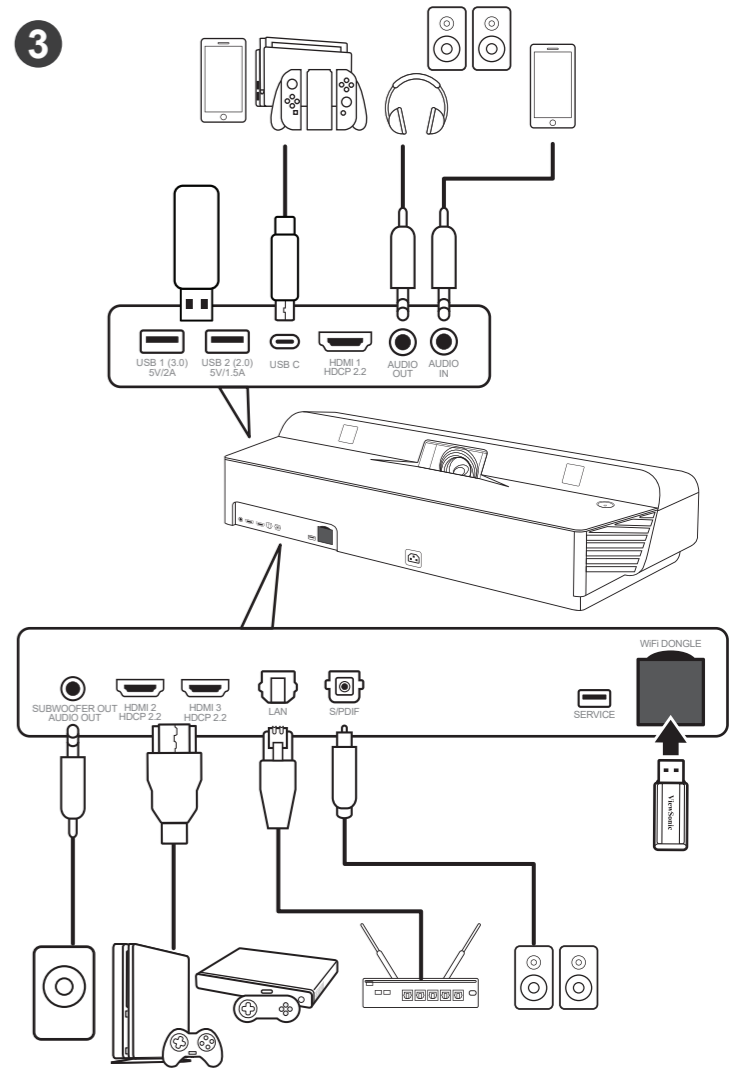
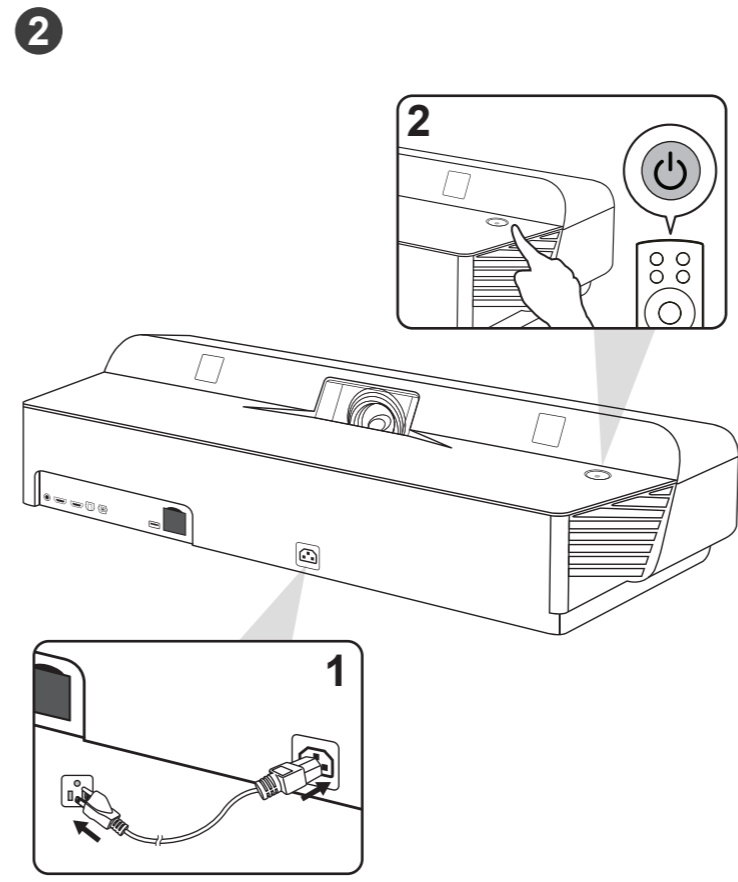
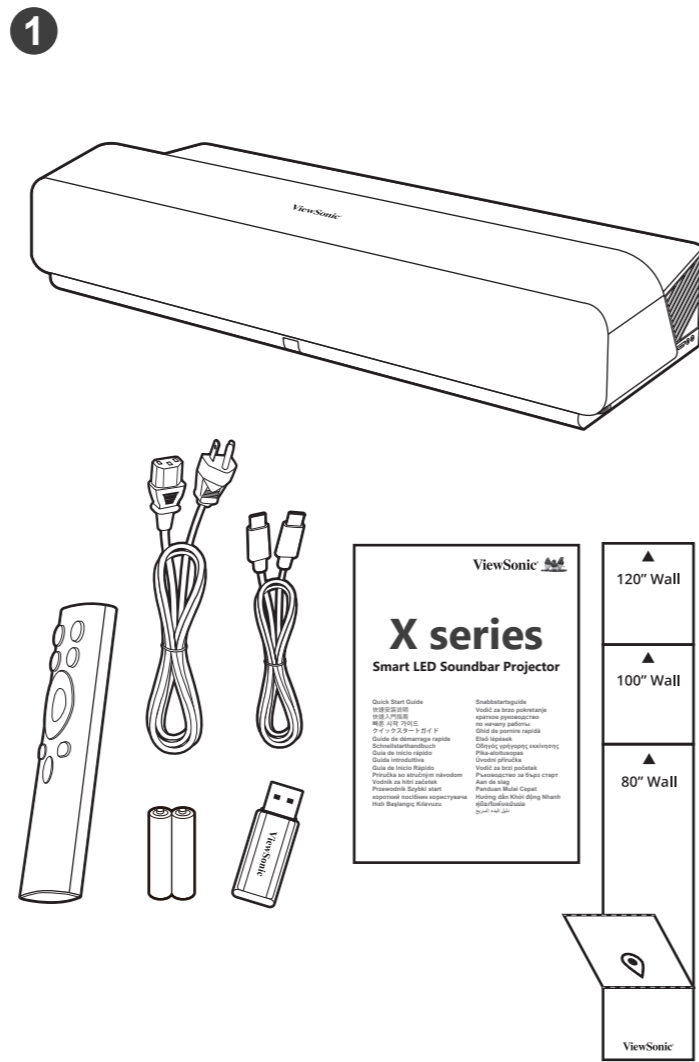


X series

Smart LED Soundbar Projector

Quick Start Guide
 快速安装说明
 快速入门指南
 빠른 시작 가이드
 クイックスタートガイド
 Guide de démarrage rapide
 Schnellstarthandbuch
 Guía de inicio rápido
 Guida introduttiva
 Guia de Inicio Rápido
 Průručka so stručným návodom
 Vodnik za hitri začetek
 Przewodnik Szybki start
 короткий посібник користувача
 Hızlı Başlangıç Kılavuzu

Snabbstartsguide
 Vodič za brzo pokretanje
 краткое руководство
 по началу работы
 Ghid de pornire rapidă
 Első lépések
 Οδηγός γρήγορης εκκίνησης
 Pika-aloitusopas
 Úvodní příručka
 Vodič za brzi početak
 Ръководство за бърз старт
 Aan de slag
 Panduan Mulai Cepat
 Hướng dẫn Khởi động Nhanh
 Հրահանգը Խոսքի Գնահատում
 دليل البدء السريع



Distance from the center of the lens to the rear of the projector: 6.83 inches (17.35 cm)

(a) Screen Size	16:9 image on a 16:9 Screen						
	(b) Projection distance		(c) Image height		(d) Vertical offset		
inch	mm	inch	mm	inch	mm	inch	mm
60	1524	6.26	159	29.42	747	2.94	75
70	1778	8.41	214	34.32	872	3.43	87
80	2032	10.59	269	39.22	996	3.92	100
90	2286	12.78	325	44.12	1121	4.41	112
100	2540	14.92	379	49.03	1245	4.90	125
120	3048	19.33	491	58.83	1494	5.88	149
130	3302	21.48	546	64.73	1619	6.37	162
150	3810	25.85	657	73.54	1868	7.35	187

All measurements are approximate and may vary from the actual sizes. It is recommended that if you intend to permanently install the projector, you should physically test the projection size and distance using the actual projector in situ before you permanently install it, so as to make allowance for this projector's optical characteristics. This will help you determine the exact mounting position so that it best suits your installation location.

