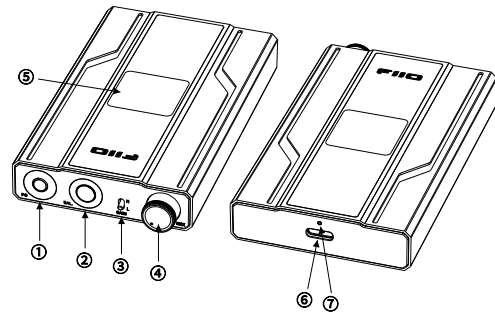


Buttons and Ports Labeled



- | | |
|---------------------------------|-------------------------|
| ① 3.5mm headphone out/SPDIF out | ⑤ RGB ambient light |
| ② 4.4mm BAL headphone out | ⑥ USB Type-C port |
| ③ Gain switch | ⑦ Power indicator light |
| ④ Power/Volume knob | |

Operation Instruction

1. Turn on/off

Rotate the Power/Volume knob clockwise until a click sound is heard to turn on the device; keep rotating clockwise to increase the volume.

Rotate the Power/Volume knob anticlockwise to decrease the volume; keep rotating anticlockwise until a click sound is heard to turn off the device.

Note: Technically, channel imbalances may occur if the volume is adjusted within low levels by the potentiometer knob. When listening at a low volume level, it is suggested to set the Gain level to Low, and turn the knob past 9 o'clock.

2. Gain switch

When switched to the H position, the Q11 will run under the High Gain mode.

When switched to the L position, the Q11 will run under the Low Gain mode.

5

3. RGB ambient light

When turning off the device, the RGB ambient light is off. When turning on the device, the RGB ambient light will be constantly on. Different colors stand for different states. Here are the details.

A) The Q11 is powering on but not in working state: Light blue

B) In USB decoding mode:

PCM ≤ 48kHz: Light blue

PCM > 48kHz: Yellow

All to DSD: Green

Note: The RGB ambient light can be turned off in the FiiO Control App on an Android device.

4. USB sound card mode

A) On Windows10 and above systems, the Q11 runs driver-free.

B) After installing the USB DAC driver, the Q11 will support ASIO mode for a better experience.

Download link for USB DAC driver:

<https://www.jadeaudio.com/supports>

C) For MAC computers, there is no need to install the USB DAC driver, so directly select the Q11 as the output device.

5. SPDIF output mode

The Q11 supports SPDIF output. Use an exclusive 3.5mm headphone out to SPDIF adapter cable, plugging the 3.5mm end into the 3.5mm headphone out/SPDIF output port of the Q11 and the SPDIF end into a device that supports SPDIF input to transmit digital audio signals.

6. Power ambient light

A) Powering on/Standby/Working: Blue light will be constantly on.

B) Low battery: Blue light will keep flashing. Please charge the Q11 in time.

C) Charging (device is off): Red light will be constantly on, and will be off when the charge is full.

D) Charging (device is on): Purple light will be constantly on. When the charge is full, Blue light will be constantly on.

6

7. Accessory using instructions

A) When using the included Type-C to Type-C cable or Type-C to Lightning cable to connect the Q11 to a mobile device for decoding, it will only consume little current power of the mobile device, which means the mobile device will not provide power for the Q11.

(Note: When connecting the Q11 to a device that limits the current output, like mobile phones, tablets, etc, please use the cable included in the accessory. Do not use other unauthorized cables, which may consume the power of the mobile device and cause output overload.)

B) Use the included USB-A to Type-C cable to connect the Q11 to a computer for data transmission and charging.

C) The silicone strap and anti-skid feet can be used to bind the Q11 and the mobile device.

Notes and Precautions

★ You might be unable to hear the sound of the surroundings when wearing headphones. For your safety, please avoid using headphones in dangerous situations.

★ Please adjust the volume to a suitable level before wearing headphones to protect your hearing.

★ Please do not place the device in circumstances of excessive high/low temperatures (above 45°C or below 0°C).

★ Please keep the device away from liquids, so to avoid any damage to it.

★ Please charge the battery on a regular basis to secure the battery life if this product has not been used for a long time.

★ Please do not disassemble, damage the battery, or drop it into fire. It's prohibited to continue using the battery if it is soaked in water.

7

List of Items Included

(please check if the following items are included)

USB-A to Type-C data cable

Type-C to Lightning data cable

Type-C to Type-C data cable

Silicon strap

Silicon anti-skid feet

Warranty card

Quick start guide

To Learn More

For related video instructions of the Q11 and FAQ (Frequently Asked Questions), please scan the QR code below.

To learn more about the product, please visit our website:

<http://www.fiiio.com>.



Q11 FAQ



jadeaudio.com



fiiio.com

Due to continuous improvement, every specification and design is subject to change at any time without further notice.

8